



US00D824123S

(12) **United States Design Patent** (10) **Patent No.:** **US D824,123 S**  
**Yoon et al.** (45) **Date of Patent:** **\*\* Jul. 24, 2018**

(54) **WASHING MACHINE**  
(71) Applicant: **SAMSUNG ELECTRONICS CO., LTD.**, Suwon-si, Gyeonggi-do (KR)  
(72) Inventors: **Sanghun Yoon**, Seoul (KR); **Yuna Park**, Seoul (KR); **Myunggyu Kim**, Seoul (KR); **Ahjung Joo**, Seoul (KR)  
(73) Assignee: **SAMSUNG ELECTRONICS CO., LTD.**, Gyeonggi-Do (KR)  
(\*\*) Term: **15 Years**  
(21) Appl. No.: **29/607,235**  
(22) Filed: **Jun. 12, 2017**

D360,500 S 7/1995 Millet et al.  
D457,991 S 5/2002 Baldwin et al.  
D491,324 S 6/2004 Kim et al.  
D492,073 S 6/2004 Sneddon  
D517,257 S 3/2006 Kim et al.  
D527,150 S 8/2006 Jun  
D527,853 S 9/2006 Carey et al.  
D532,941 S 11/2006 Carey et al.  
D538,488 S 3/2007 Carey et al.  
D542,487 S 5/2007 Jun  
D542,986 S 5/2007 Crookshanks  
D542,987 S 5/2007 Crookshanks  
D556,394 S 11/2007 Kim  
D575,012 S 8/2008 Rossetto et al.  
D575,913 S 8/2008 Jeon et al.  
D577,162 S 9/2008 Shail et al.

(Continued)

**Related U.S. Application Data**

(63) Continuation of application No. 29/590,790, filed on Jan. 13, 2017.

**Foreign Application Priority Data**

Nov. 29, 2016 (KR) ..... 30-2016-0057634

(51) **LOC (11) Cl.** ..... **15-05**

(52) **U.S. Cl.**  
USPC ..... **D32/6**

(58) **Field of Classification Search**  
USPC ..... D32/29.1, 29, 28, 6, 25, 8, 1, 5, 10  
CPC ..... D06F 39/045; D06F 29/00; D06F 29/005;  
D06F 25/00; D06F 39/022; D06F 33/02;  
D06F 2204/065; D06F 35/006  
See application file for complete search history.

**References Cited**

**U.S. PATENT DOCUMENTS**

4,307,588 A 12/1981 Smith et al.  
4,429,817 A 2/1984 Ikeda  
D359,602 S 6/1995 Swartz et al.

**FOREIGN PATENT DOCUMENTS**

CN 303423821 S 10/2015  
KR 300387514 S 7/2005  
KR 300768037 S 11/2014

*Primary Examiner* — Michelle E Wilson

(74) *Attorney, Agent, or Firm* — Cantor Colburn LLP

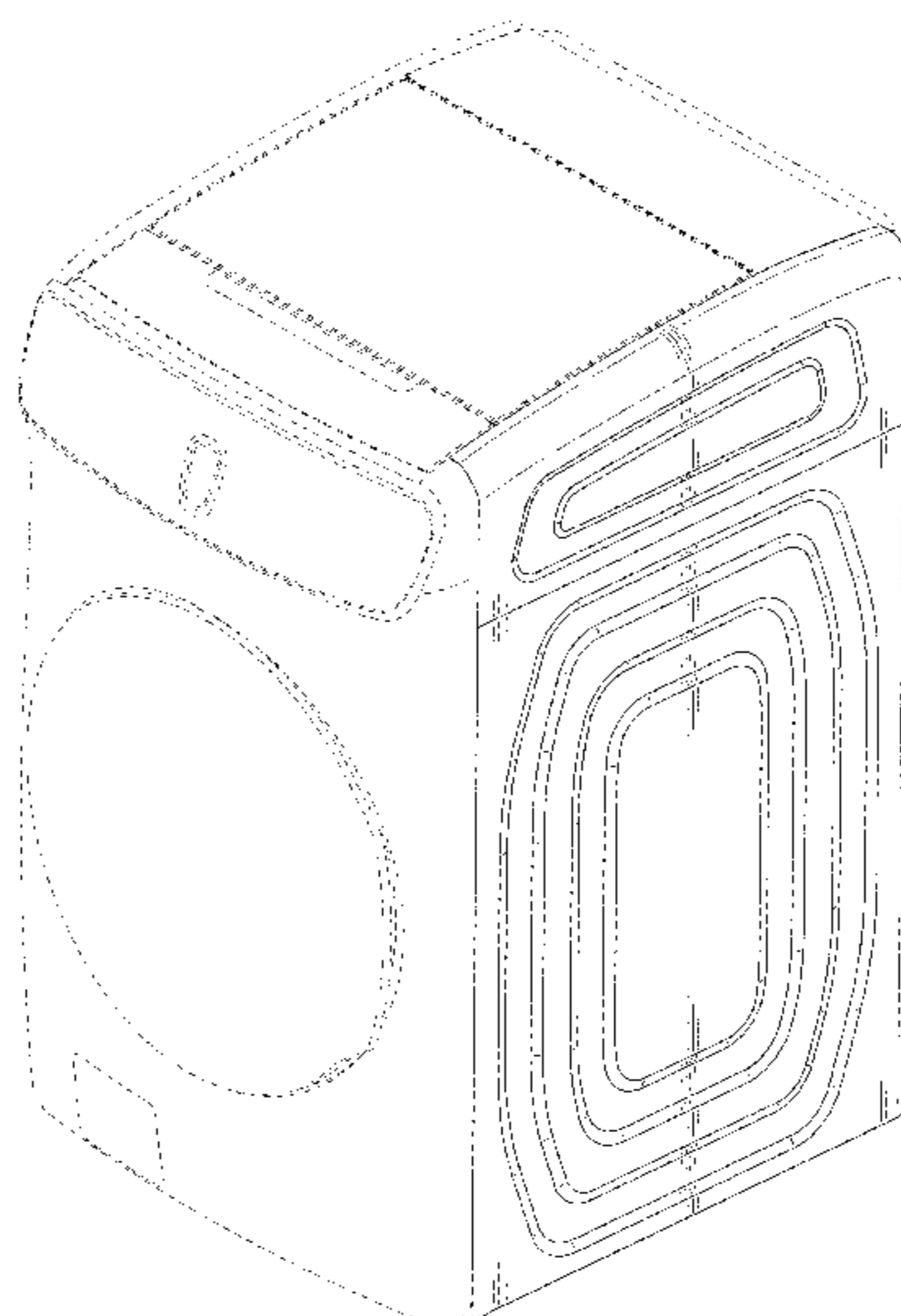
(57) **CLAIM**

We claim the ornamental design for a washing machine, as shown and described.

**DESCRIPTION**

FIG. 1 is the front perspective view of a washing machine showing our new design;  
FIG. 2 is the front view thereof;  
FIG. 3 is the rear view thereof;  
FIG. 4 is the left-side view thereof;  
FIG. 5 is the right-side view thereof;  
FIG. 6 is the top view thereof; and,  
FIG. 7 is the bottom view thereof.  
The broken lines in the figures depict environmental subject matter and form no part of the claimed design.

**1 Claim, 7 Drawing Sheets**



(56)

References Cited

U.S. PATENT DOCUMENTS

D588,757 S	3/2009	Park et al.	
D617,960 S *	6/2010	Bohm .....	D32/6
D620,650 S	7/2010	Lee	
D625,476 S	10/2010	Lee et al.	
D626,299 S	10/2010	Lee et al.	
D630,807 S	1/2011	Song et al.	
D631,624 S	1/2011	Chung et al.	
D632,033 S	2/2011	Song et al.	
D633,261 S	2/2011	Song et al.	
D642,752 S *	8/2011	Kim .....	D32/6
D642,753 S *	8/2011	Ha .....	D32/6
D648,907 S	11/2011	Jeon et al.	
D649,722 S	11/2011	Chung et al.	
D653,006 S *	1/2012	Takahashi .....	D32/6
D654,640 S	2/2012	Song et al.	
D658,340 S *	4/2012	Jeon .....	D32/6
D659,307 S	5/2012	Geyer et al.	
D665,544 S *	8/2012	Jeon .....	D32/6
D667,179 S *	9/2012	Jeon .....	D32/6
D679,462 S	4/2013	Zhang et al.	
D693,973 S *	11/2013	Geyer .....	D32/6
D694,965 S	12/2013	Lee et al.	
D701,656 S	3/2014	Choi et al.	
D701,657 S *	3/2014	Chung .....	D32/6
D701,658 S *	3/2014	Chung .....	D32/6
D703,885 S	4/2014	Ha et al.	
D703,886 S	4/2014	Ha et al.	
D712,603 S *	9/2014	Geyer .....	D32/6
D729,996 S	5/2015	Hwang et al.	
D729,998 S	5/2015	Jeon et al.	
D730,596 S	5/2015	Kim et al.	
D732,763 S	6/2015	Hwang et al.	
D732,767 S	6/2015	Ha et al.	
D739,097 S	9/2015	Qin et al.	
D742,602 S *	11/2015	Kim .....	D32/6
D746,521 S	12/2015	Ha et al.	
D747,836 S	1/2016	Cho et al.	
D752,830 S *	3/2016	Choi .....	D32/6
D759,909 S	6/2016	Kim et al.	
D762,021 S	7/2016	Qin et al.	
D762,025 S	7/2016	Joo et al.	
D764,722 S	8/2016	Jo	
D769,553 S	10/2016	Lee	
D770,103 S	10/2016	Ha et al.	
D770,698 S	11/2016	Lee et al.	
D770,705 S	11/2016	Kang et al.	
D770,706 S	11/2016	Ha et al.	
D770,707 S	11/2016	Ha et al.	
D771,330 S	11/2016	Ha et al.	
D772,499 S	11/2016	Yoon et al.	
D772,500 S	11/2016	Park et al.	
D772,502 S	11/2016	Choi et al.	
D773,128 S	11/2016	Kim et al.	
D773,753 S	12/2016	Kim et al.	
D773,754 S	12/2016	Choi et al.	
D773,755 S	12/2016	Hwang et al.	
D773,757 S	12/2016	Hwang et al.	
D774,714 S	12/2016	Kang et al.	
D774,715 S	12/2016	Kim et al.	
D774,716 S	12/2016	Kim	
D787,759 S *	5/2017	Geyer .....	D32/6
D796,752 S	9/2017	Bixby et al.	
D798,004 S	9/2017	Bixby et al.	
D800,976 S *	10/2017	Im .....	D32/6
D801,602 S *	10/2017	Im .....	D32/6

\* cited by examiner

FIG. 1

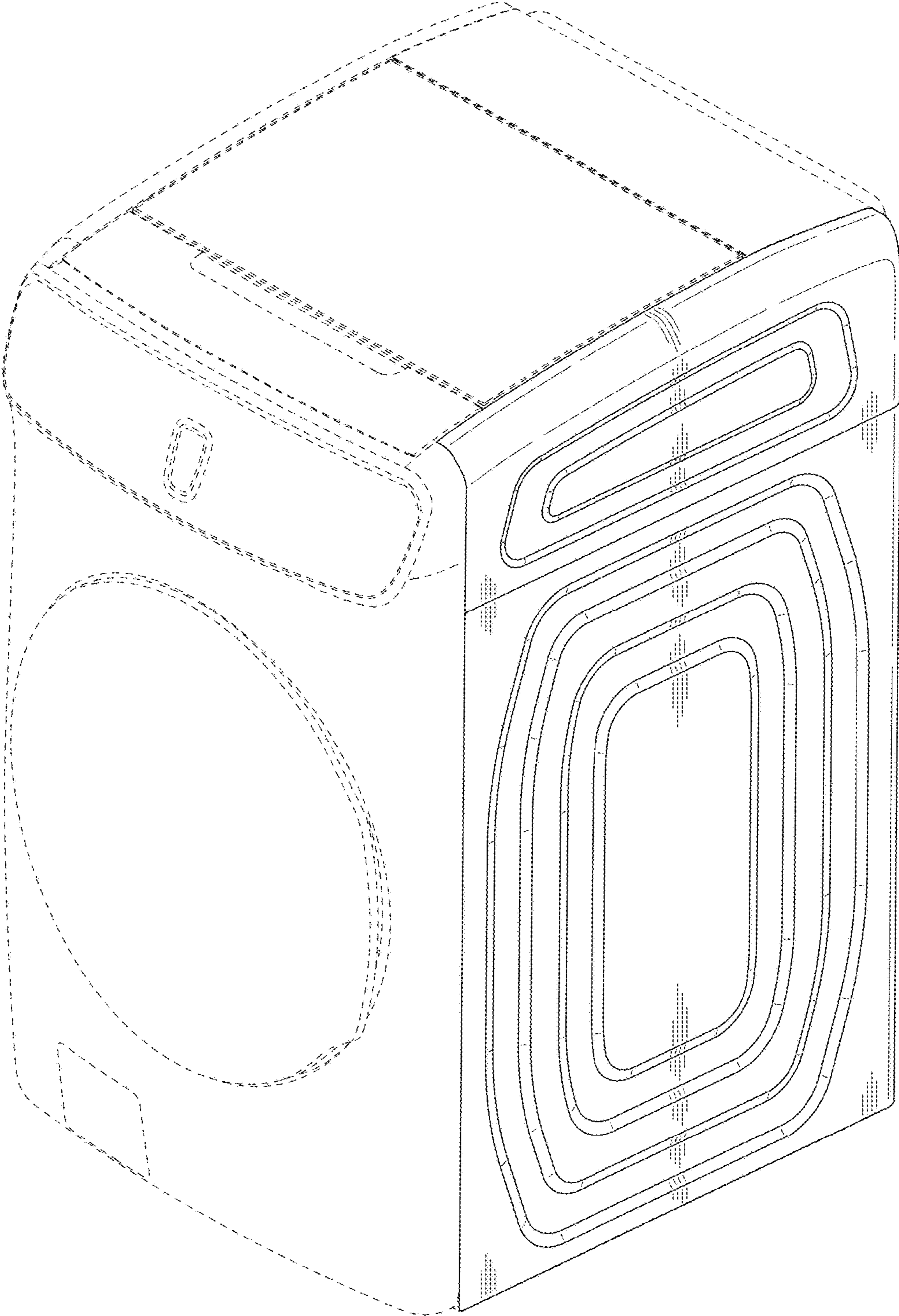


FIG. 2

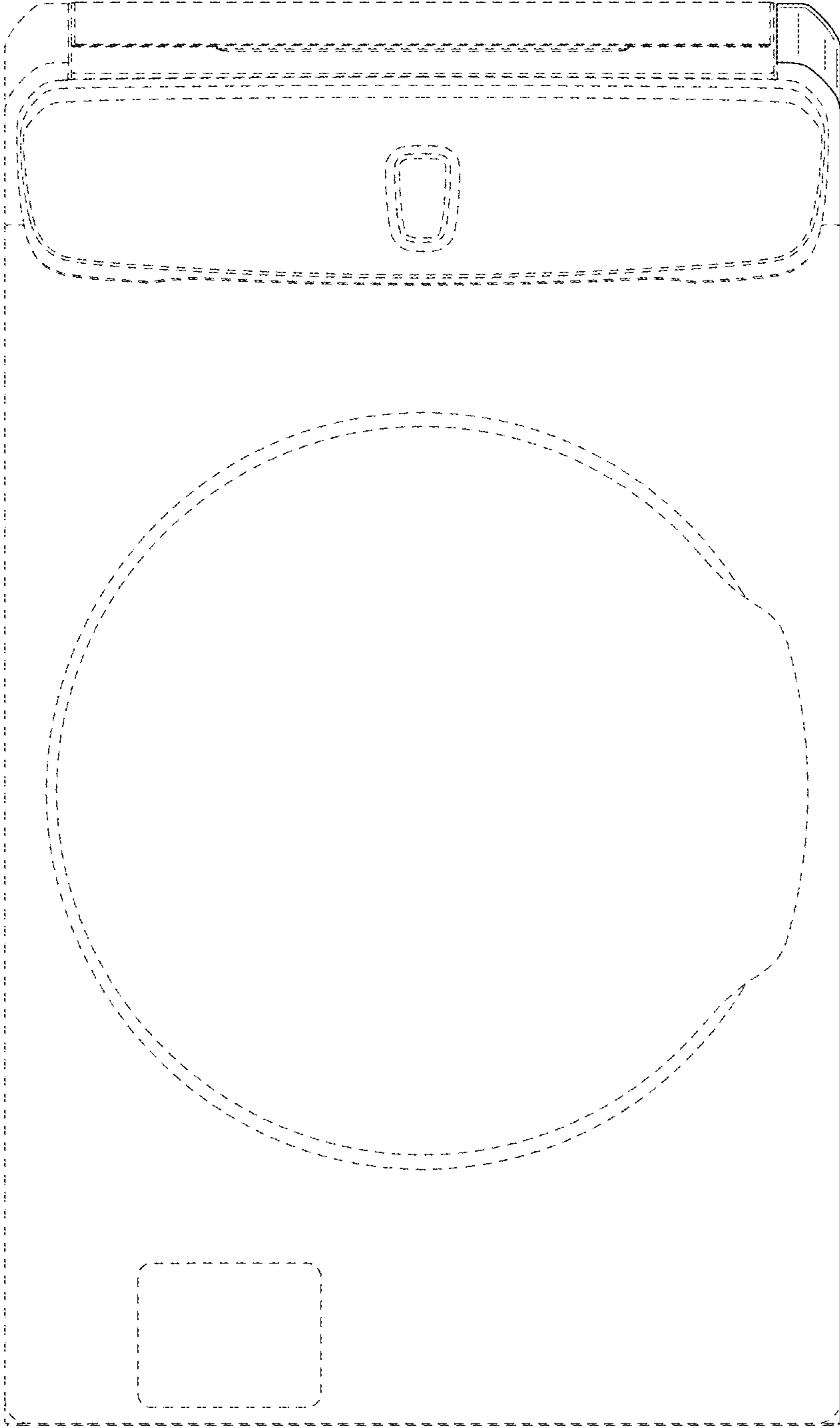


FIG. 3

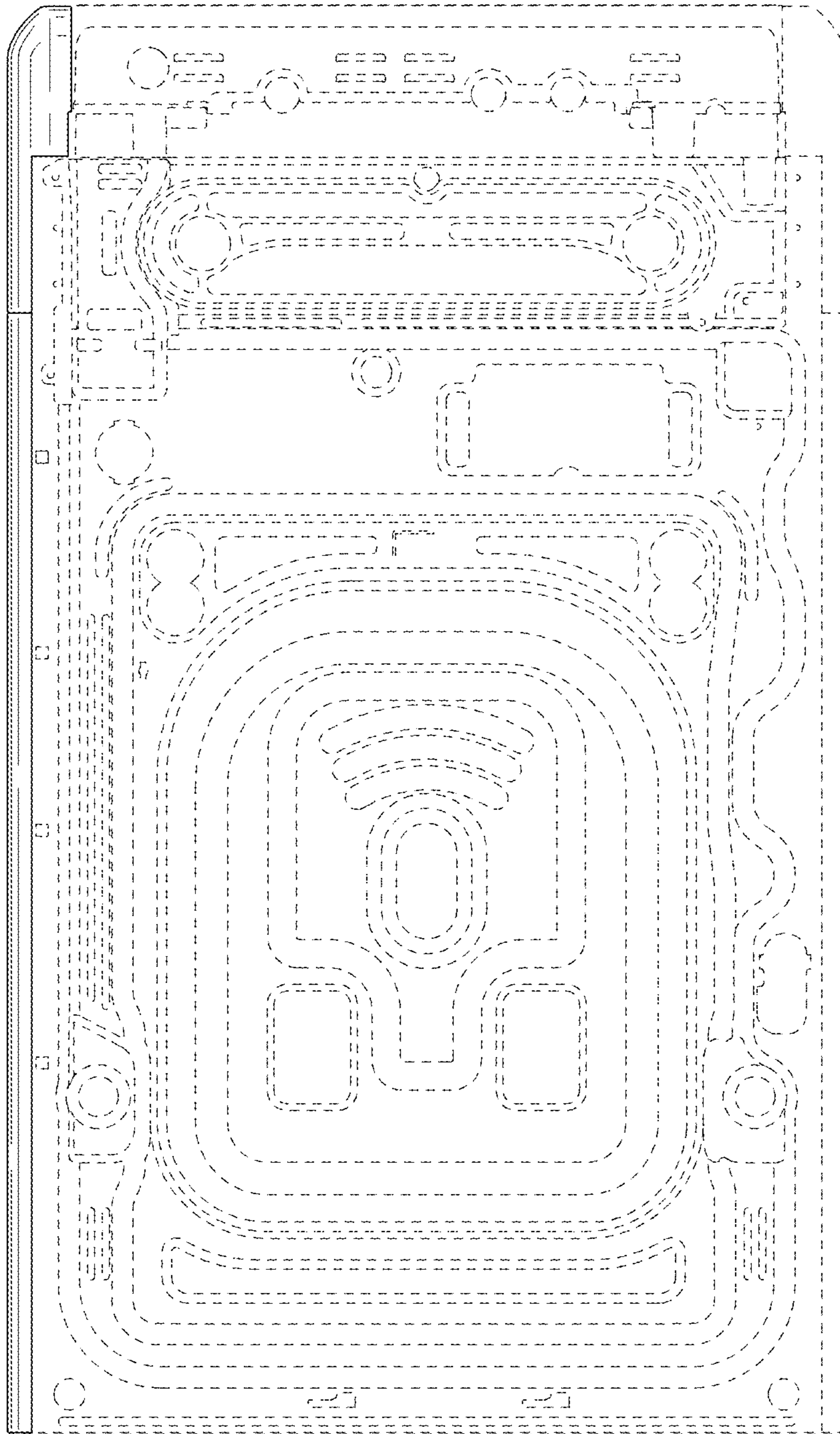


FIG. 4

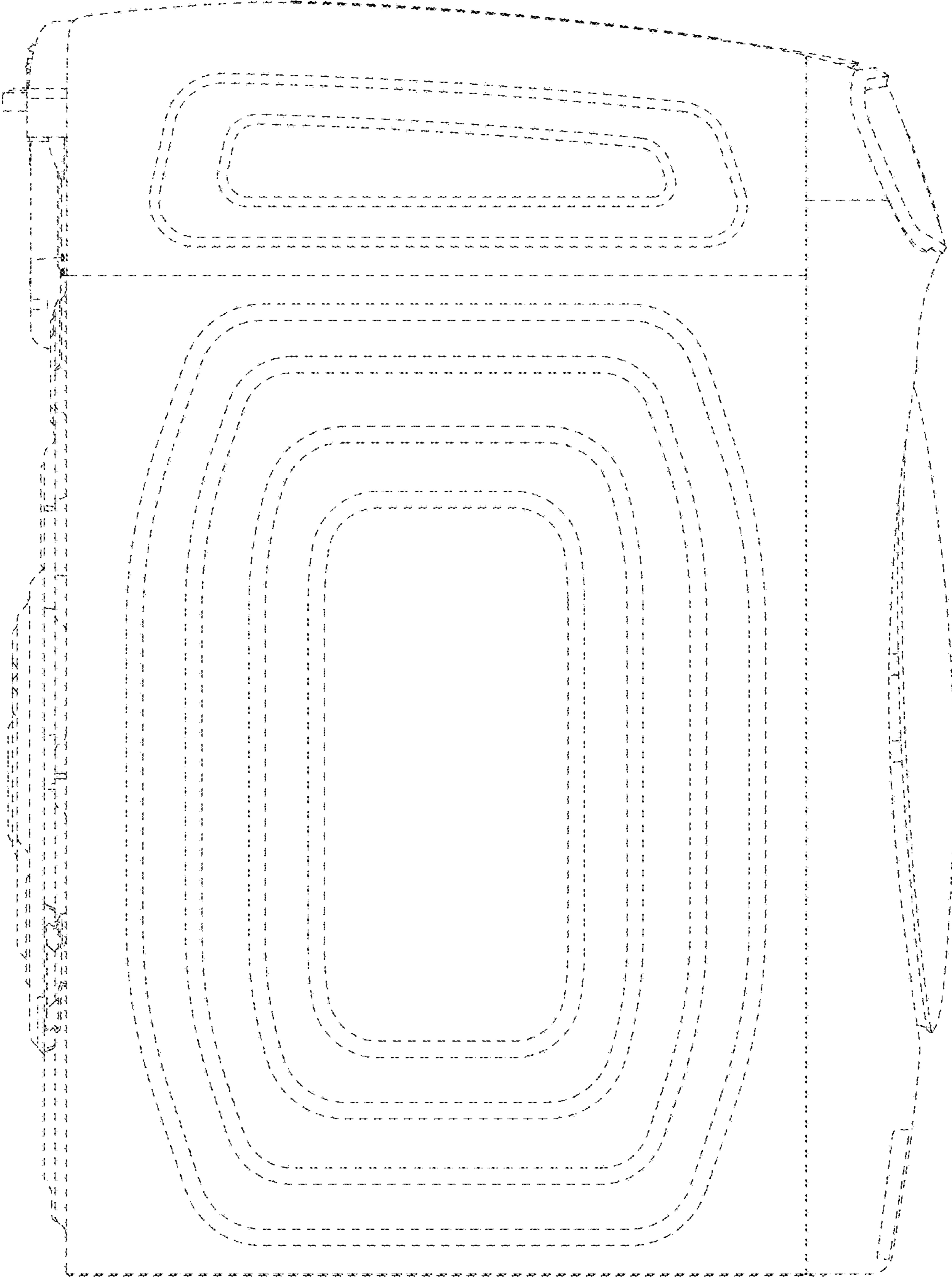


FIG. 5

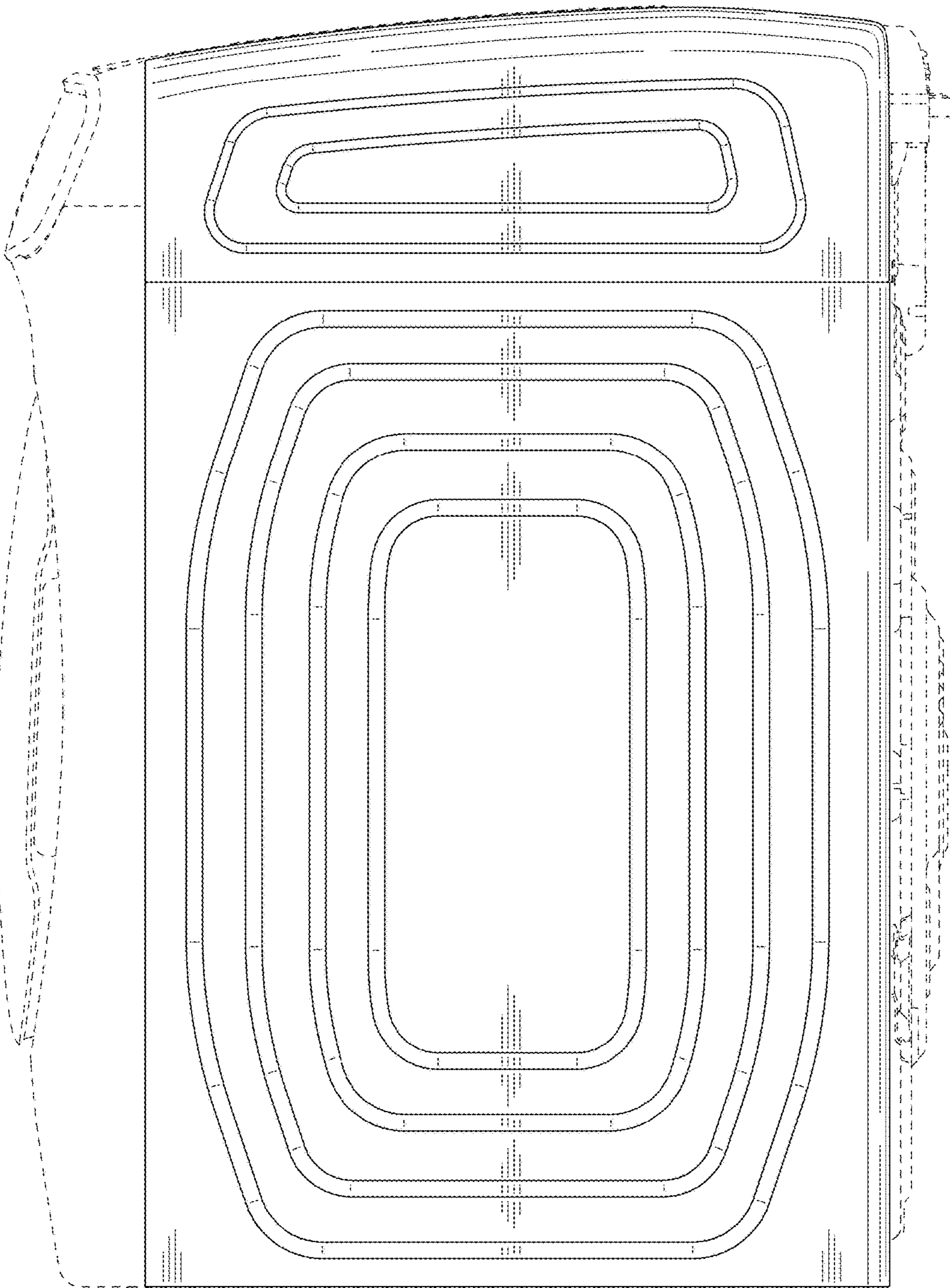


FIG. 6

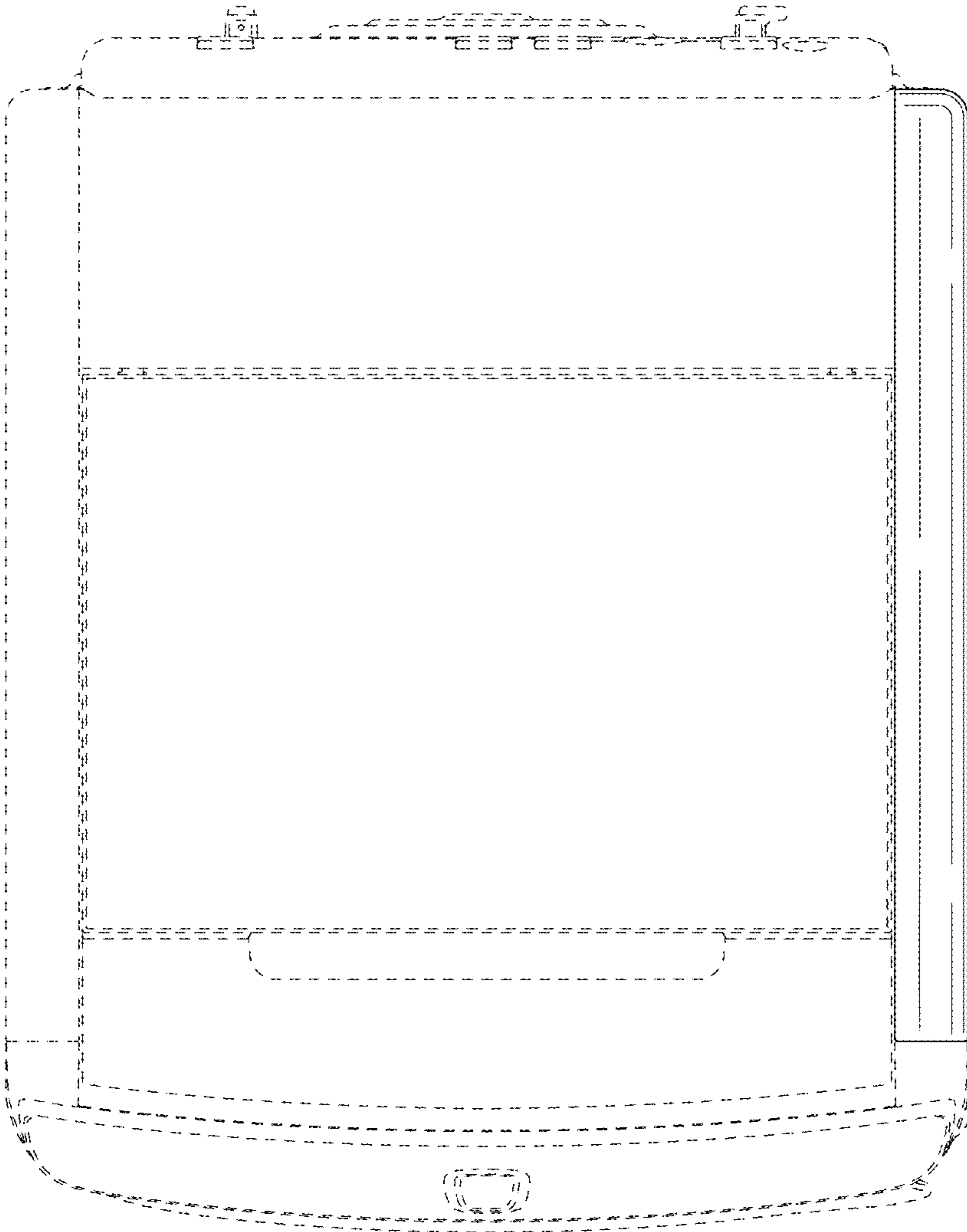




FIG. 7

