

US00D824122S

(12) **United States Design Patent**  
**Yoon et al.**

(10) **Patent No.:** **US D824,122 S**  
(45) **Date of Patent:** **\*\* Jul. 24, 2018**

(54) **WASHING MACHINE**

(71) Applicant: **SAMSUNG ELECTRONICS CO., LTD.**, Suwon-si, Gyeonggi-do (KR)

(72) Inventors: **Sanghun Yoon**, Seoul (KR); **Yuna Park**, Seoul (KR); **Myunggyu Kim**, Seoul (KR); **Ahjung Joo**, Seoul (KR)

(73) Assignee: **SAMSUNG ELECTRONICS CO., LTD.**, Gyeonggi-Do (KR)

(\*\*) Term: **15 Years**

(21) Appl. No.: **29/593,802**

(22) Filed: **Feb. 13, 2017**

(30) **Foreign Application Priority Data**

Nov. 29, 2016 (KR) ..... 30-2016-0057699

(51) **LOC (11) Cl.** ..... **15-05**

(52) **U.S. Cl.**  
USPC ..... **D32/6**

(58) **Field of Classification Search**  
USPC ..... D32/29.1, 29, 28, 6, 25, 8, 1, 5, 10;  
D6/510; D7/348-349  
CPC ..... D06F 39/045; D06F 29/00; D06F 29/005;  
D06F 25/00; D06F 39/022; D06F 33/02;  
D06F 2204/065; D06F 35/006  
See application file for complete search history.

(56) **References Cited**

**U.S. PATENT DOCUMENTS**

- D300,279 S \* 3/1989 Umehara ..... D32/6
- 5,469,593 A \* 11/1995 Cuthbert ..... D06F 37/28  
68/140
- 5,875,655 A \* 3/1999 Herman-Latack .... D06F 39/026  
222/166
- D446,890 S \* 8/2001 Cho ..... D32/6

- D470,632 S \* 2/2003 Oda ..... D32/6
- D516,258 S \* 2/2006 Matsusaki ..... D32/1
- D519,692 S \* 4/2006 Jun ..... D32/6
- 7,073,356 B2 \* 7/2006 Nakamura ..... D06F 37/10  
68/12.26
- D541,491 S \* 4/2007 Jun ..... D32/6
- D704,907 S \* 5/2014 Yoo ..... D32/6
- D709,657 S \* 7/2014 Shin ..... D32/25
- D711,605 S \* 8/2014 Jo ..... D32/25
- D729,467 S \* 5/2015 Jee ..... D32/6
- D744,177 S \* 11/2015 Jung ..... D32/6
- D748,355 S \* 1/2016 Sim ..... D32/6

**FOREIGN PATENT DOCUMENTS**

- CN 303423821 S 10/2015
- KR 300387514 S 7/2005
- KR 300768037 S 10/2014

\* cited by examiner

*Primary Examiner* — Michelle E Wilson

(74) *Attorney, Agent, or Firm* — Cantor Colburn LLP

(57) **CLAIM**

The ornamental design for a washing machine, as shown and described.

**DESCRIPTION**

FIG. 1 is a front perspective view of a washing machine, showing our new design;  
 FIG. 2 is a front view thereof;  
 FIG. 3 is a rear view thereof;  
 FIG. 4 is a left-side view thereof;  
 FIG. 5 is a right-side view thereof;  
 FIG. 6 is a top view thereof;  
 FIG. 7 is a bottom view thereof; and,  
 FIG. 8 is the front perspective view thereof, as shown in an alternate configuration.  
 The broken lines illustrating portions of the washing machine form no part of the claimed design.

**1 Claim, 8 Drawing Sheets**

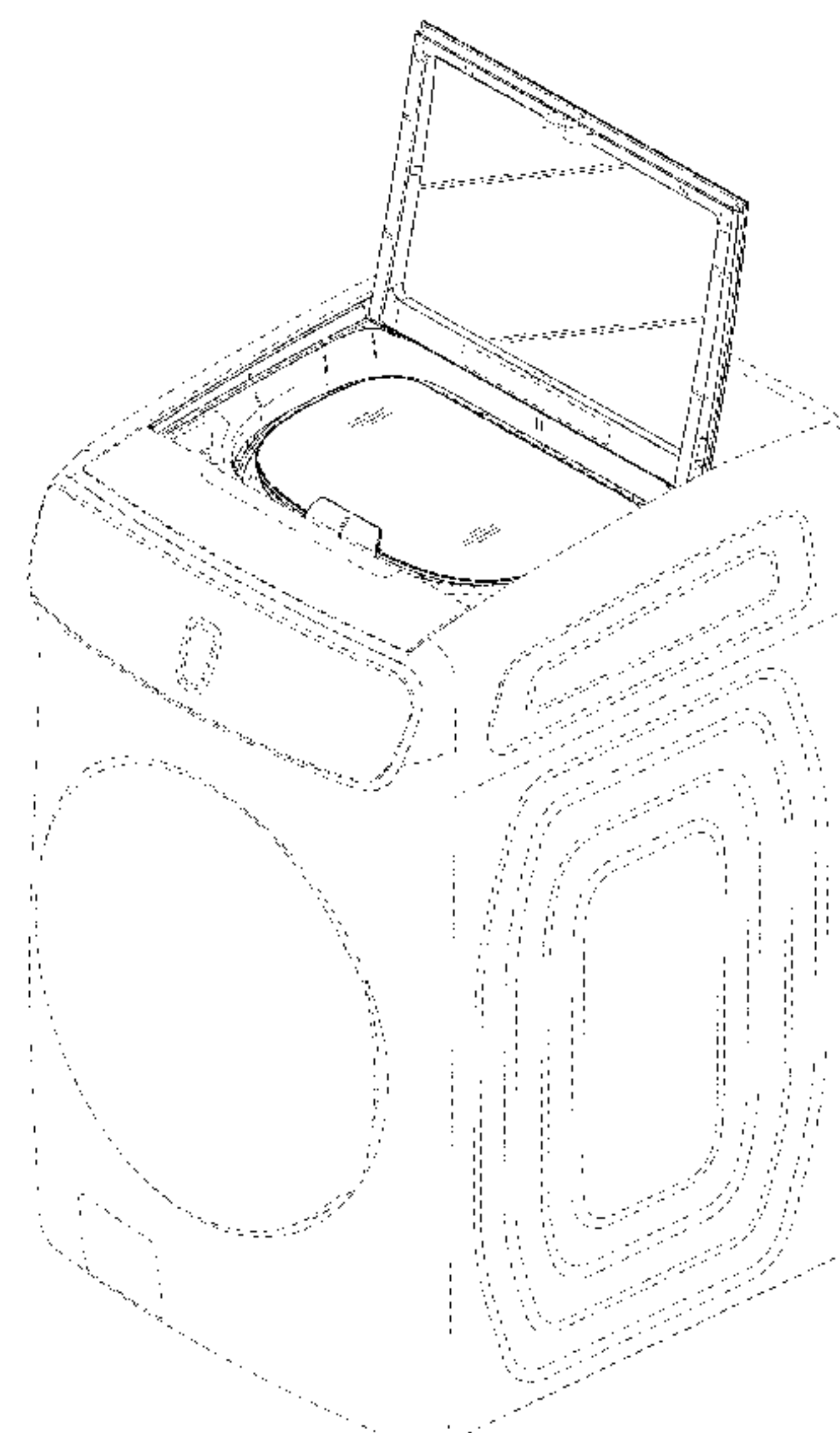
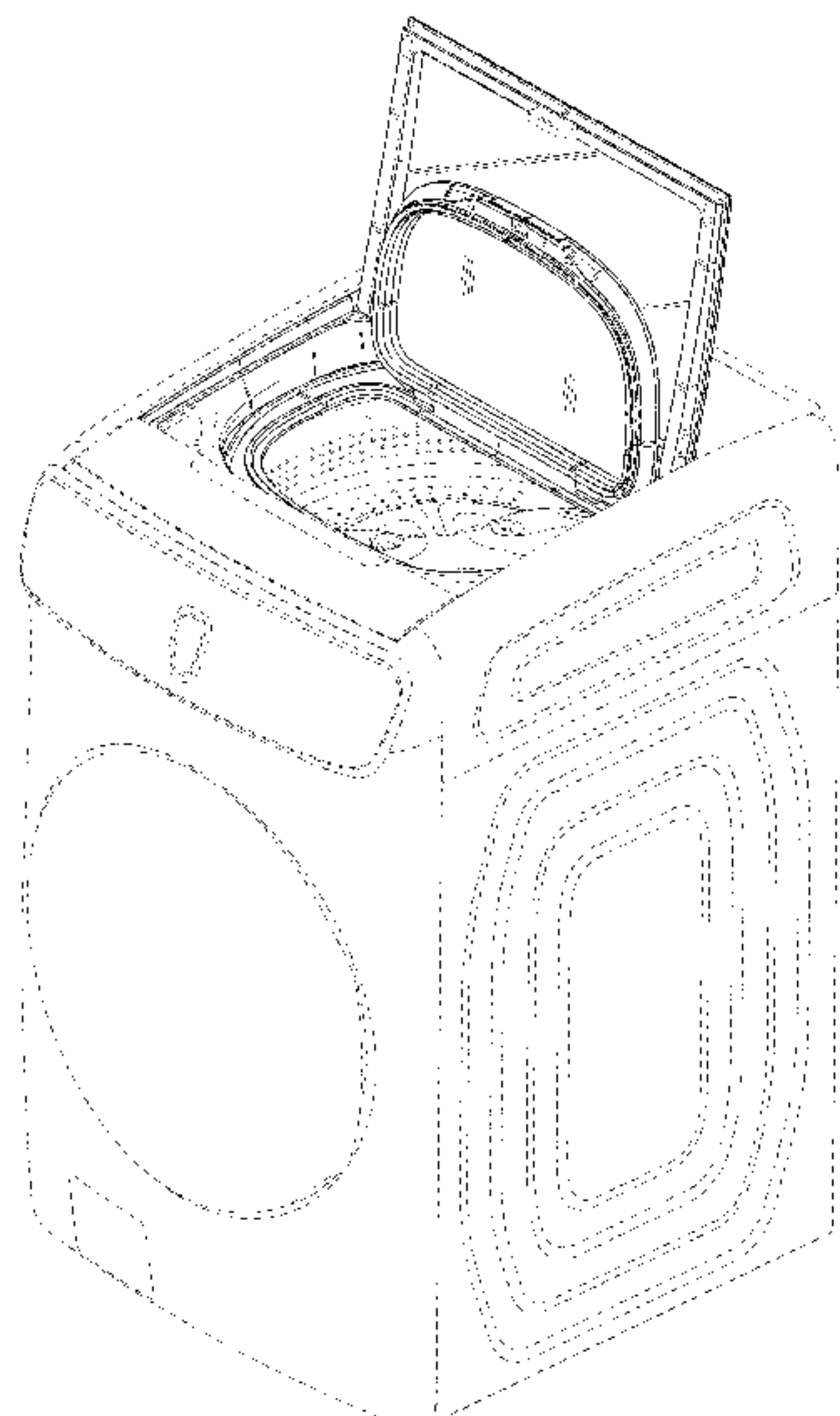


FIG. 1

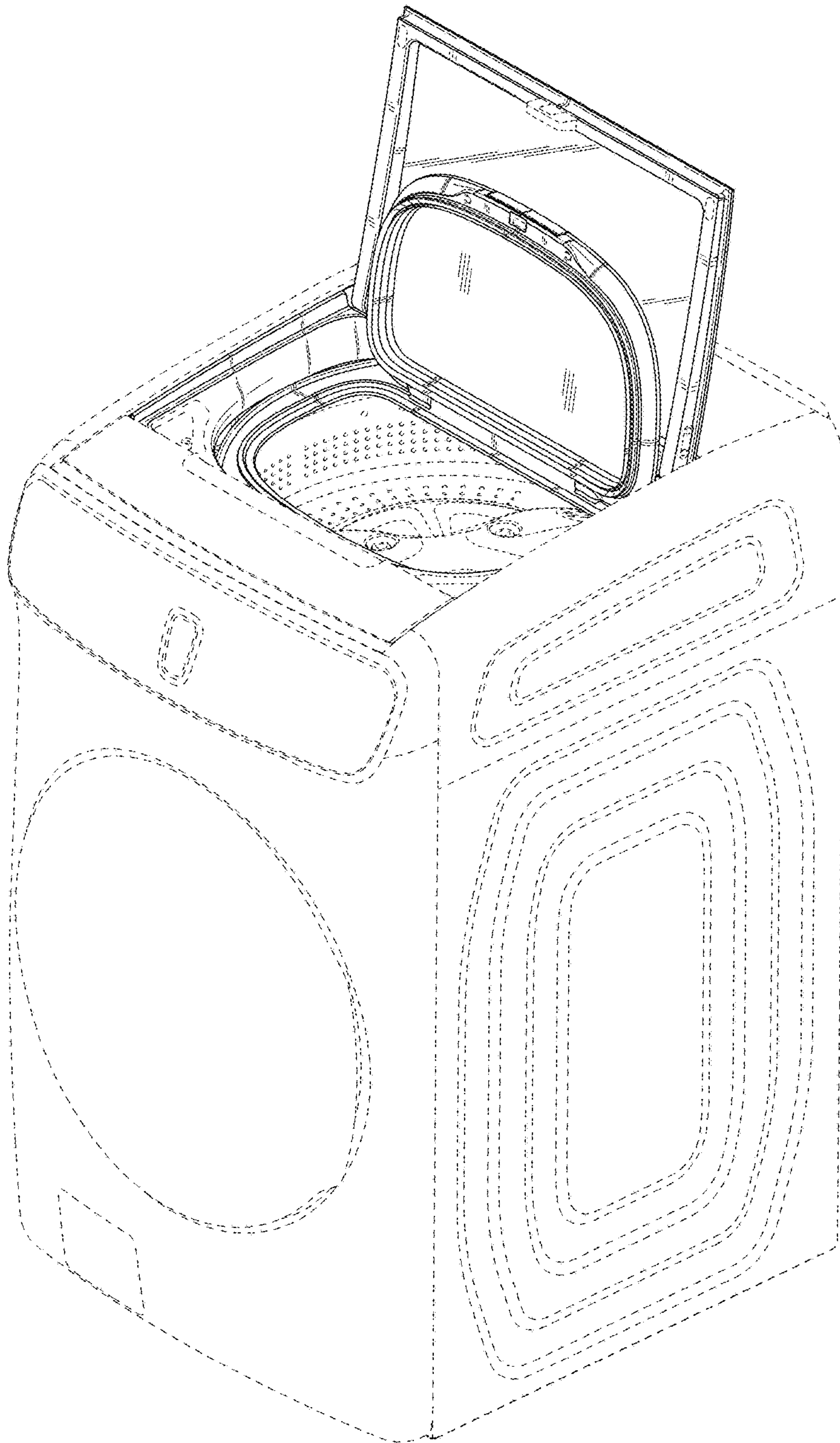


FIG. 2

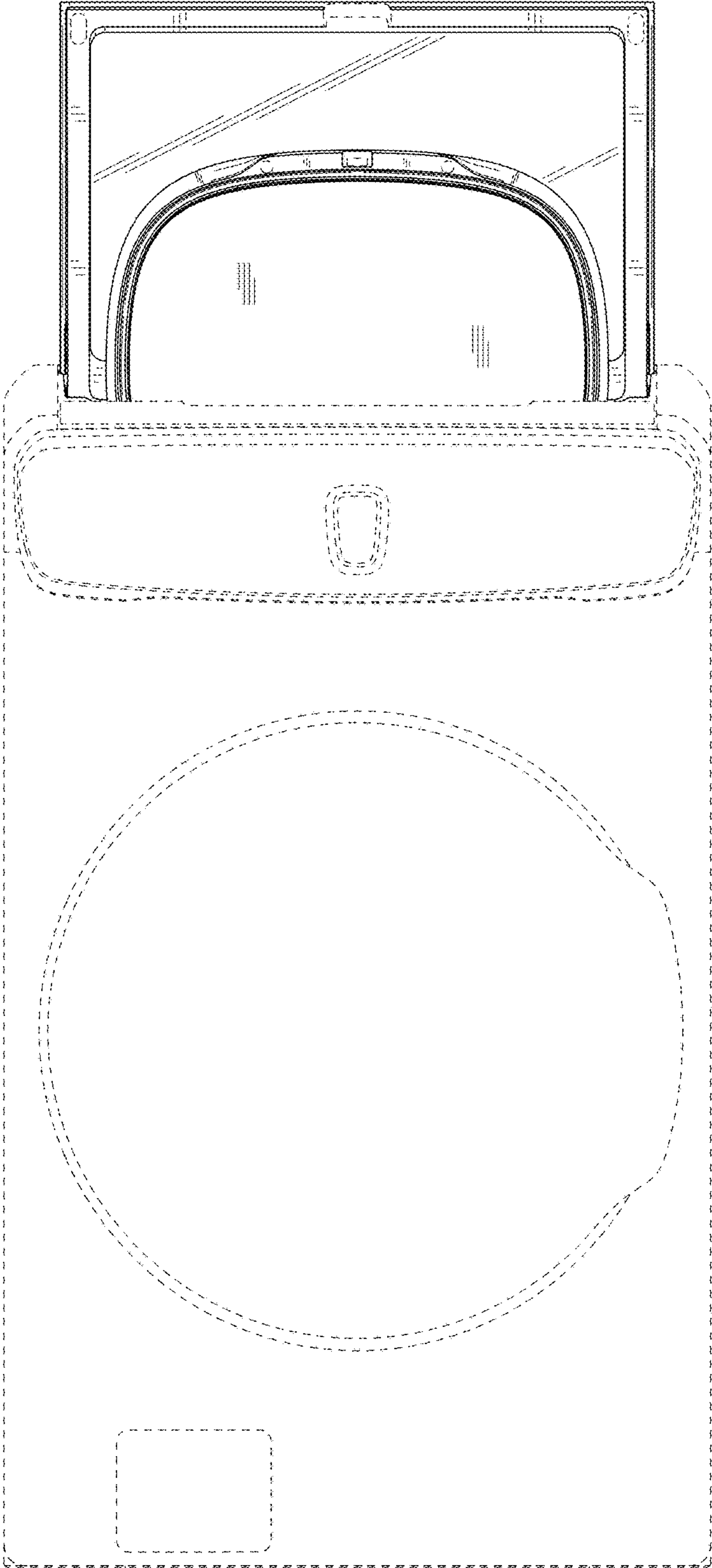




FIG. 3

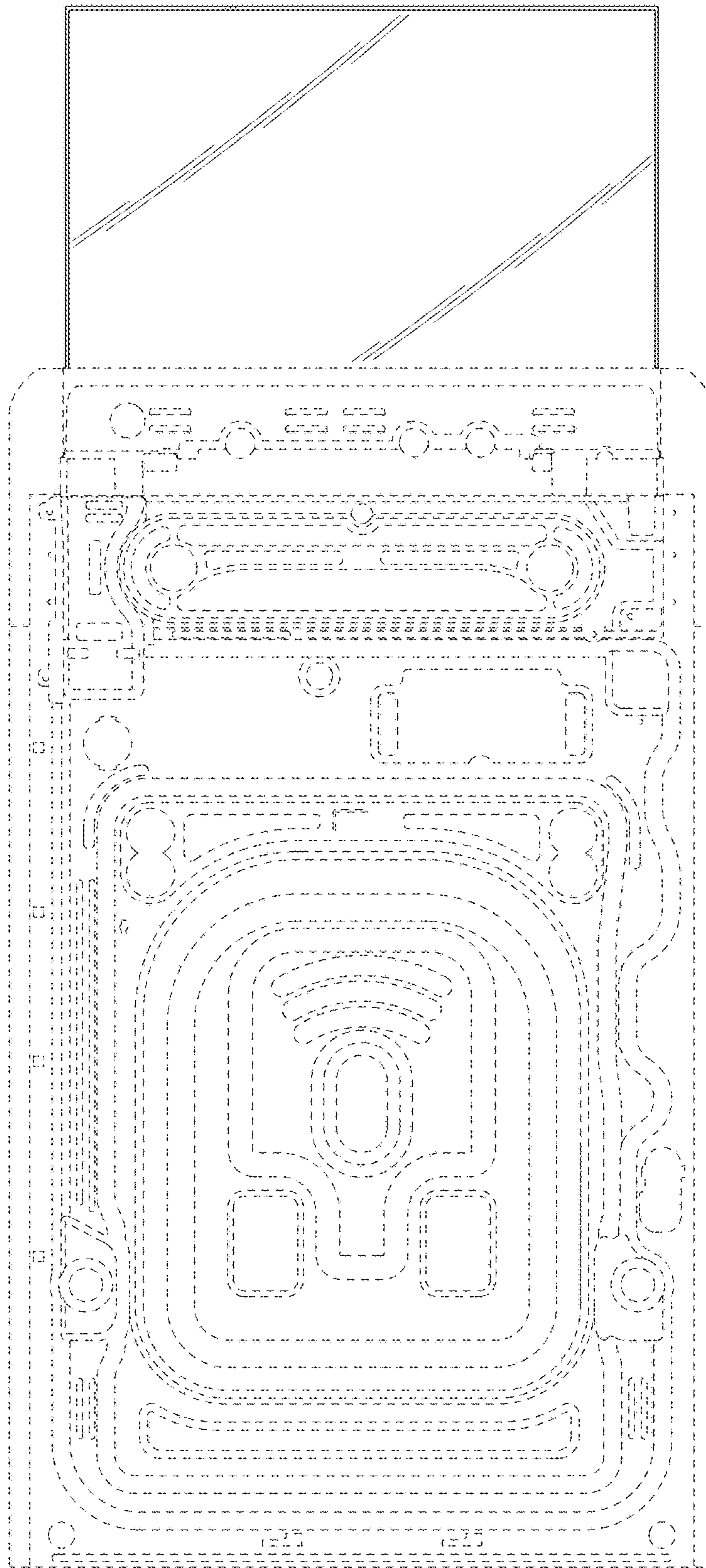


FIG. 4

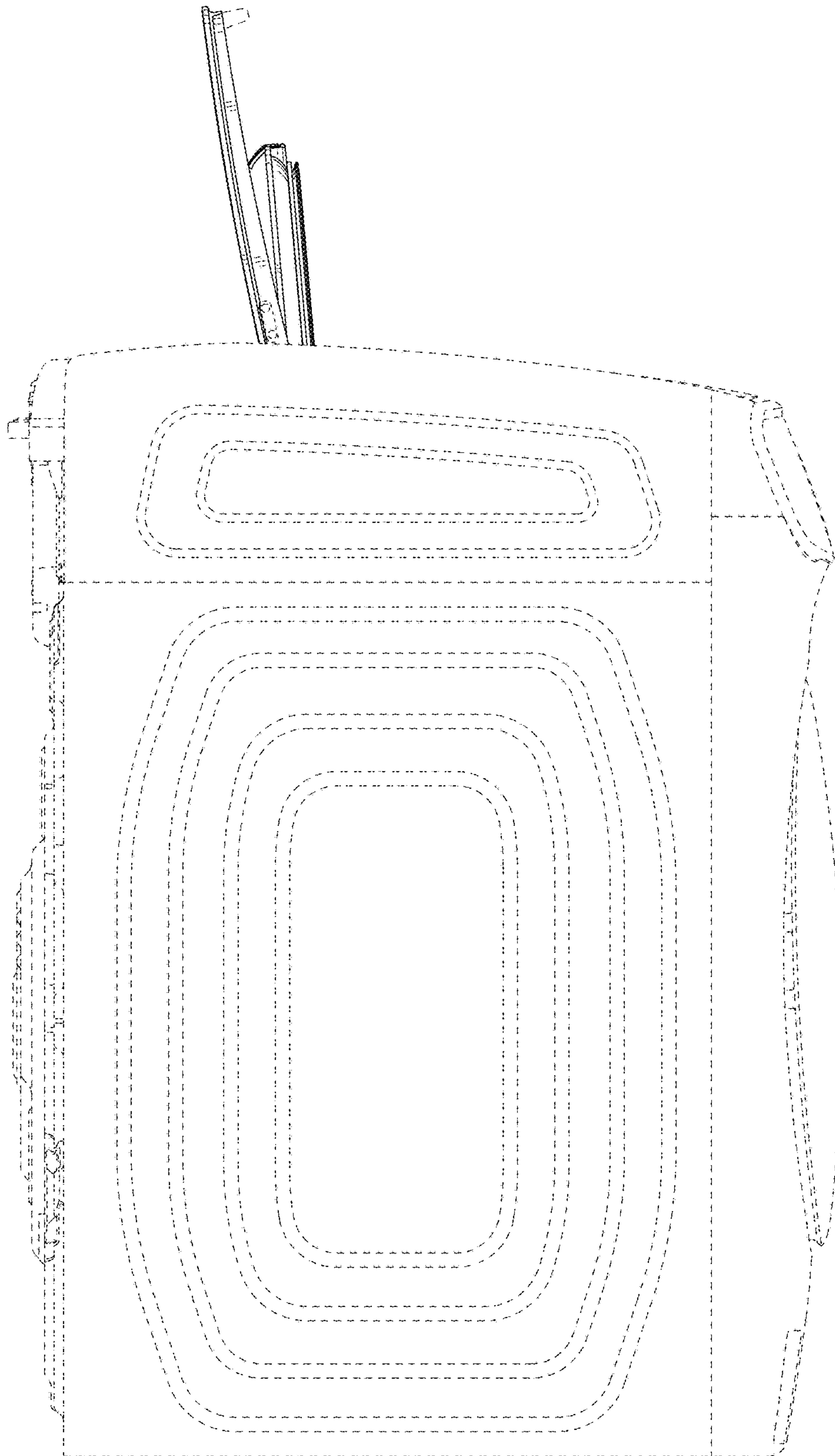


FIG. 5

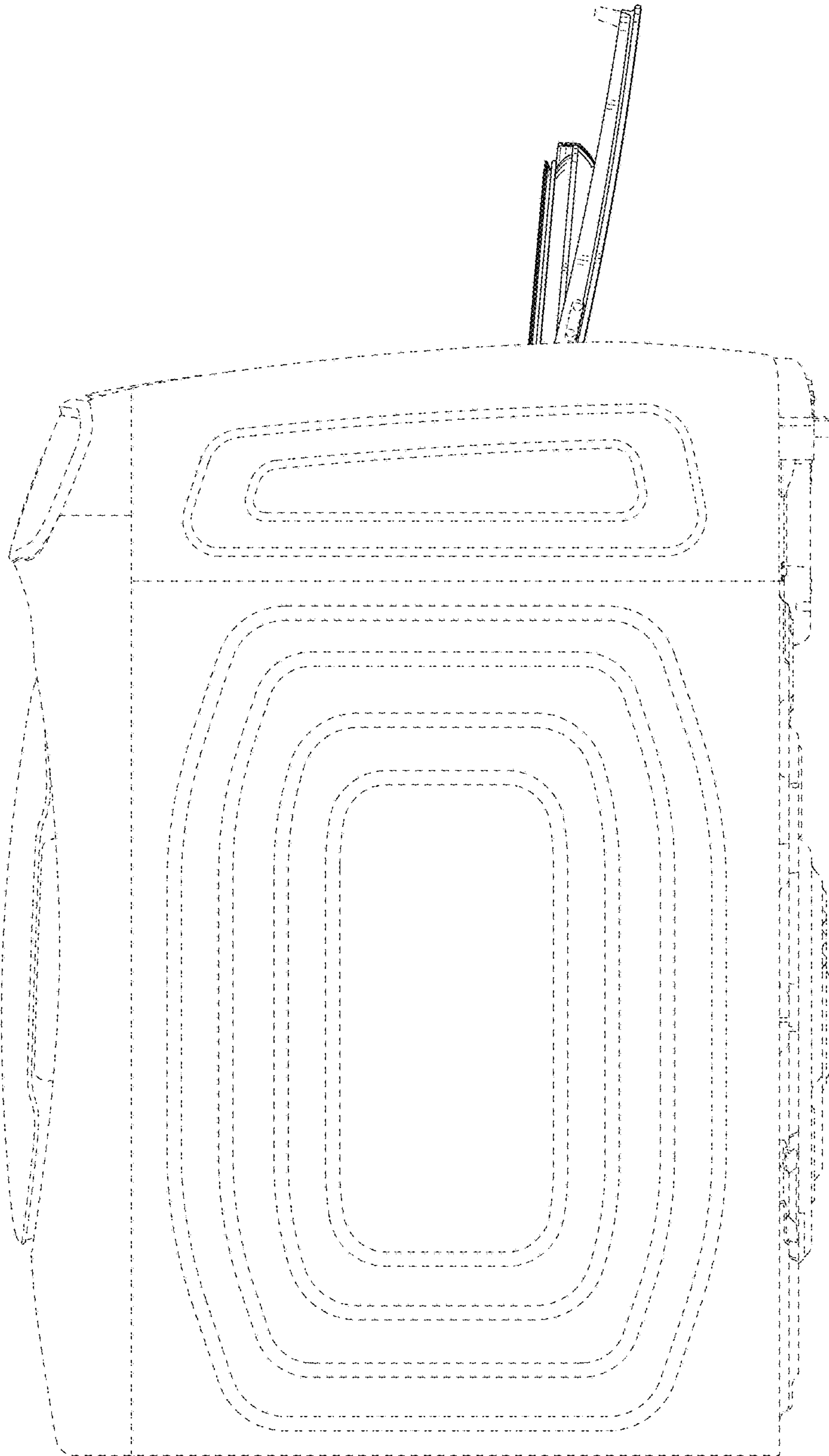


FIG. 6

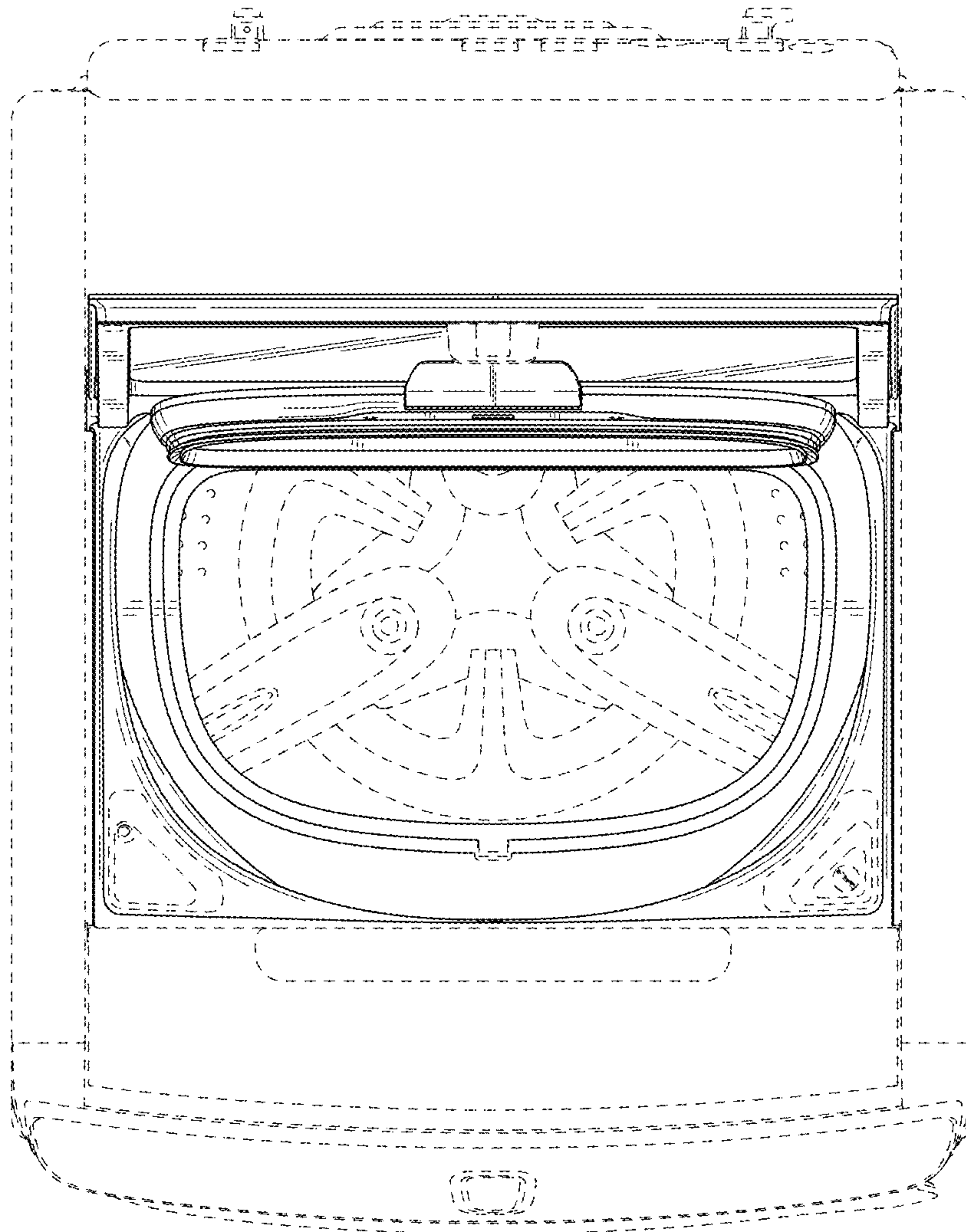


FIG. 7

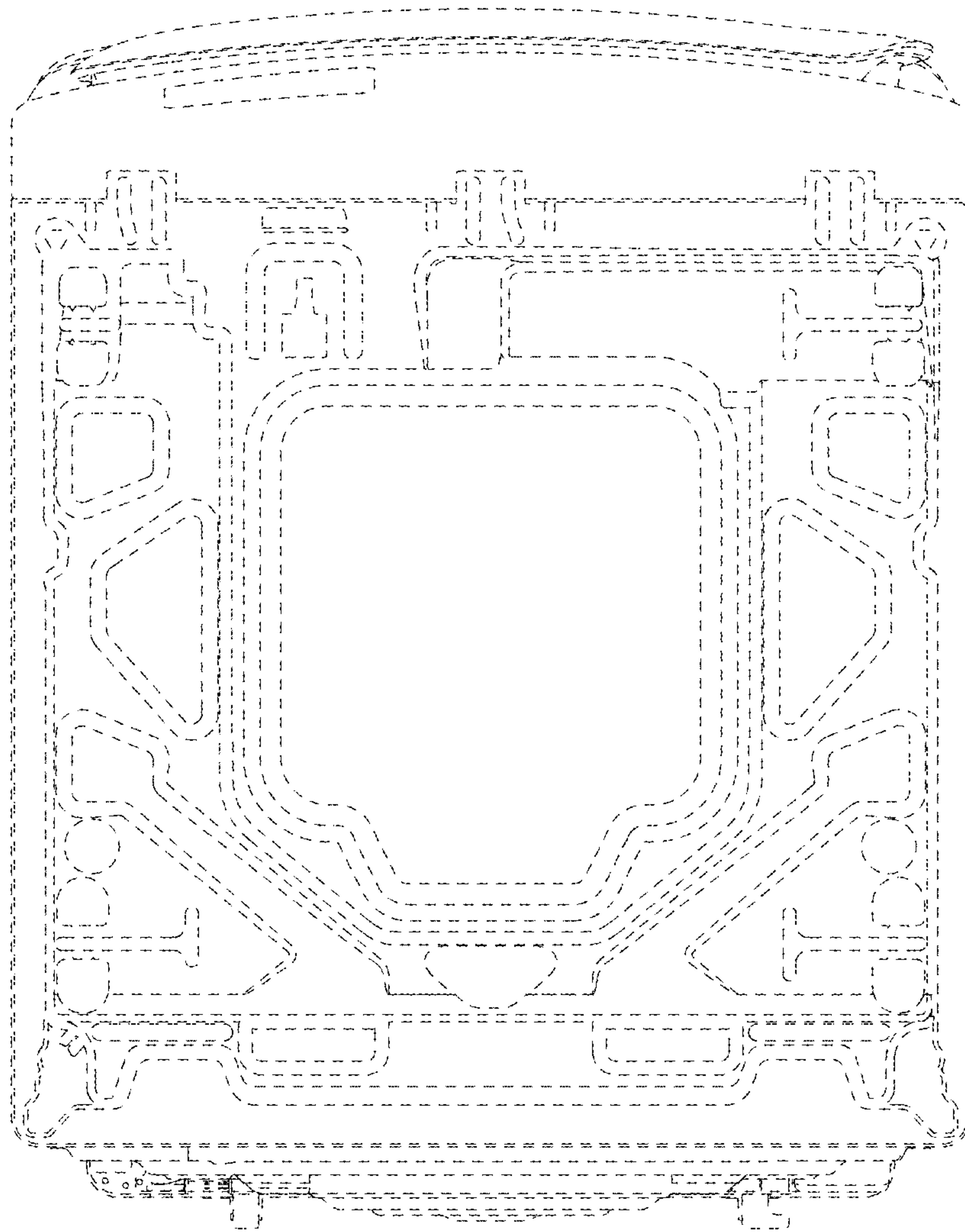




FIG. 8

