



US00D824120S

(12) **United States Design Patent**
Yang et al.

(10) **Patent No.:** **US D824,120 S**
(45) **Date of Patent:** **** Jul. 24, 2018**

(54) **DOG TRAINER**

(71) Applicant: **ZHUHAI HENGQIN SUPER TECHNOLOGY LTD.**, Zhuhai, Guangdong (CN)

(72) Inventors: **Tianle Yang**, Guangdong (CN); **Yibao Zeng**, Guangdong (CN)

(73) Assignee: **ZHUHAI HENGQIN SUPER TECHNOLOGY LTD.**, Zhuhai (CN)

(**) Term: **15 Years**

(21) Appl. No.: **29/610,941**

(22) Filed: **Jul. 17, 2017**

(30) **Foreign Application Priority Data**

Apr. 27, 2017 (CN) 2017 3 0147700

(51) **LOC (11) Cl.** **30-99**

(52) **U.S. Cl.**
USPC **D30/199**

(58) **Field of Classification Search**
USPC D30/199, 152, 144, 151, 155;
D10/104.1, 104.2, 106.1, 106.3, 106.2;
119/856, 859, 720, 721, 719, 718, 712,
119/653, 654, 760-765, 792, 793, 822,
119/855, 858, 860-863, 772, 776, 795;
340/573.3, 573.1, 384.2, 825.76, 538.16,
340/539.1, 539.11, 539.14, 539.15,
340/539.16, 539.17, 539.18, 539.19,
340/572.7, 572.8, 572.9, 573.2, 573.4;
D13/103, 168, 162-164; 42/90;
D14/137, 496, 218, 159, 217, 188, 225,
D14/205, 155, 174, 388, 511; D21/566,
D21/333, 516; 715/738; 434/350;
600/323; 348/211.99, 14.05, 114, 734;
341/175-176; 455/575.1; 343/788, 718,
343/728, 895

CPC A01K 15/021; A01K 15/02; A01K 15/022;
A01K 15/023; A01K 15/029; A01K
15/04; A01K 15/00; A01K 15/006; A01K
12/022; A01K 27/009; A01K 27/00;
A01K 27/001; A01K 27/006-27/008;
A01K 29/005; A01K 29/00; H05K 5/03;
H04B 10/00; H01H 9/02; G09G 5/00;
G09D 1/10; G08C 23/04; G08C 19/12;
G08C 19/00; H04N 5/44; H04N 5/445;
H04N 7/00; H04L 17/02; G05B 11/01;
G06F 3/02; H01Q 1/273; H01Q 1/362;
H01Q 11/08; H01Q 7/08

See application file for complete search history.

(56) **References Cited**

U.S. PATENT DOCUMENTS

D220,268 S * 3/1971 Kliewer D14/496
D328,570 S * 8/1992 Speer, Jr. D10/106.9
5,351,653 A * 10/1994 Marischen A01K 15/021
119/719
D355,863 S * 2/1995 Collins D10/106.1
(Continued)

Primary Examiner — Susan Moon Lee

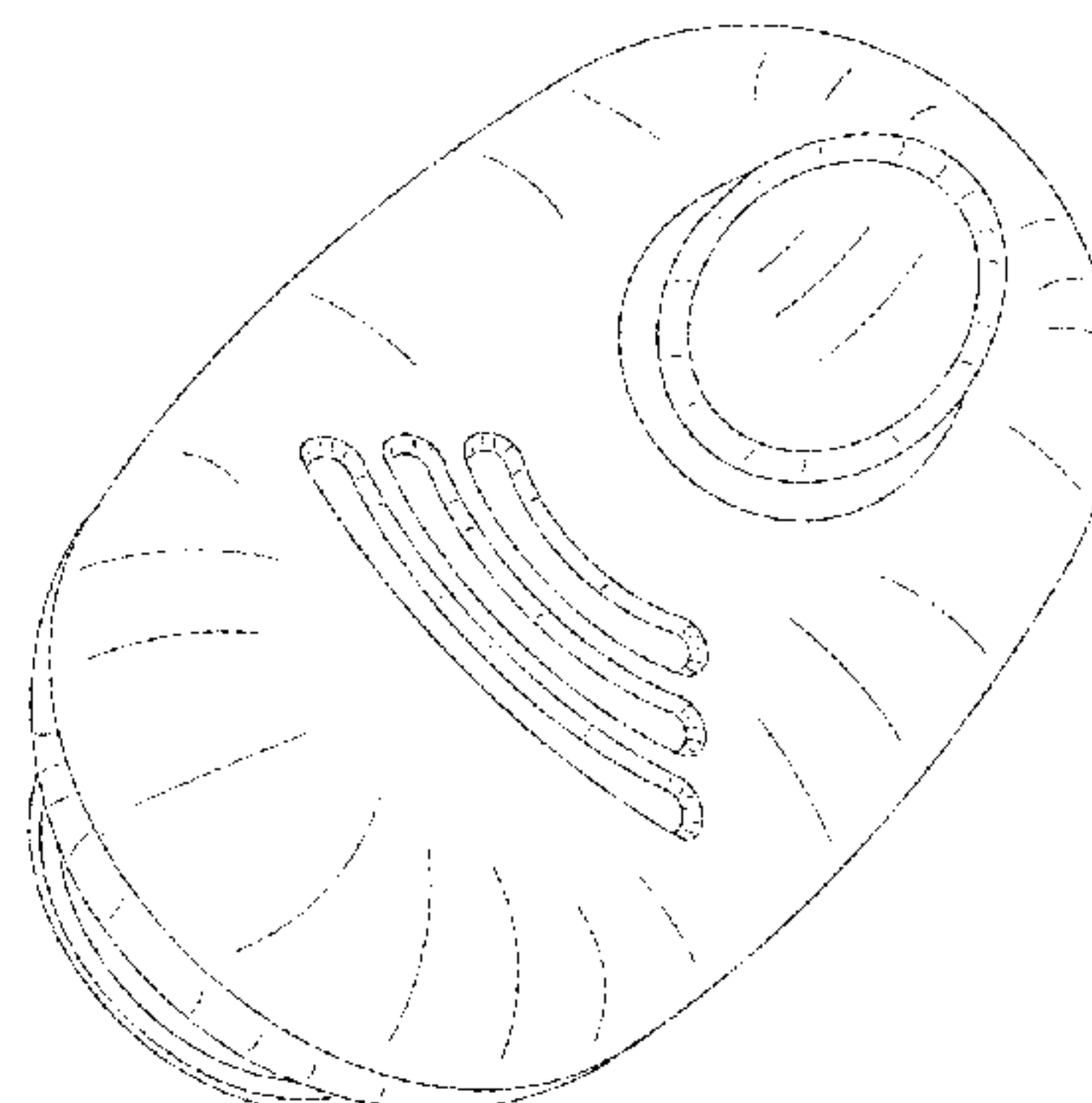
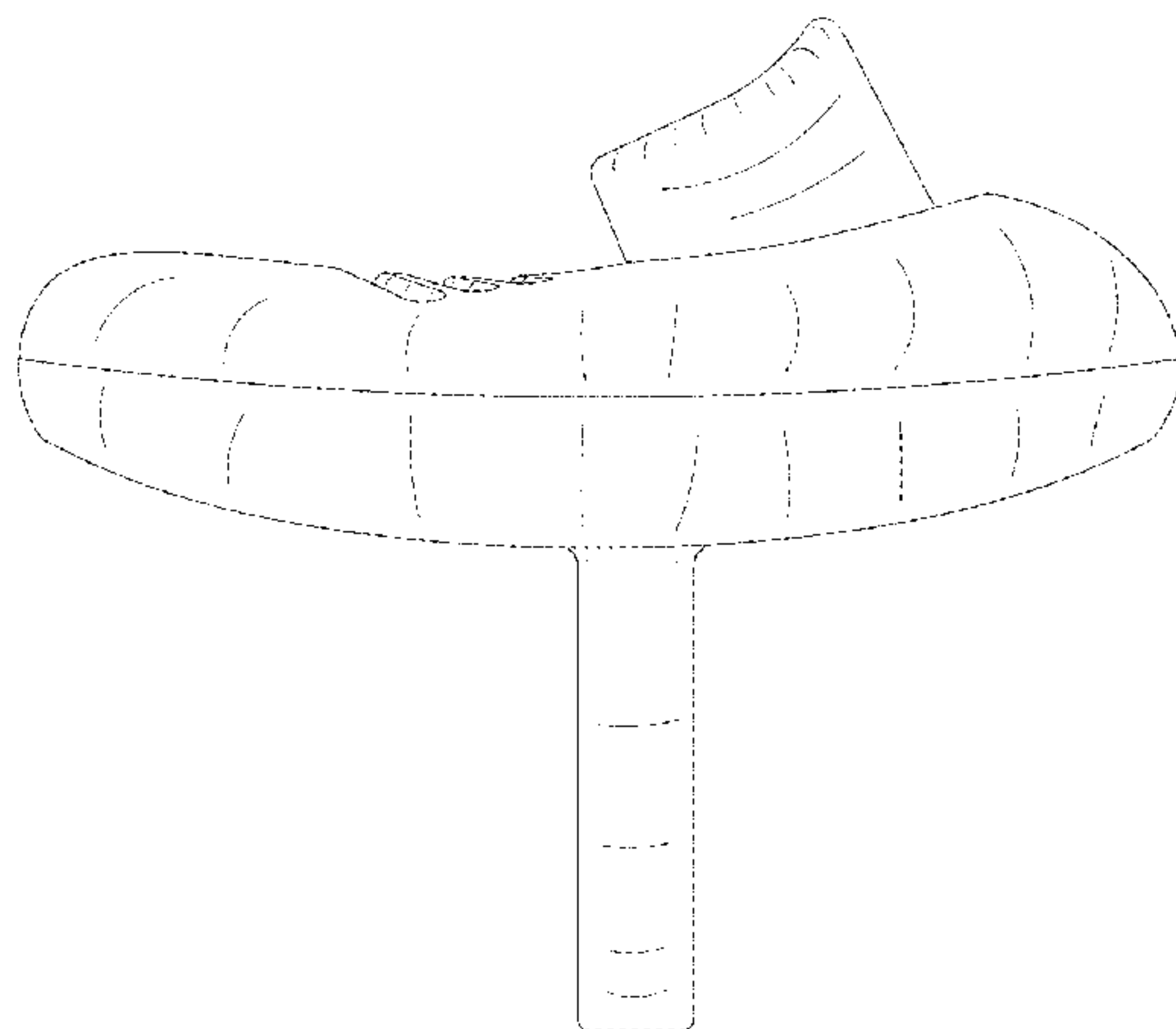
(57) **CLAIM**

The ornamental design for a dog trainer, as shown and described.

DESCRIPTION

FIG. 1 is a front elevational view of a dog trainer showing our new design;
FIG. 2 is a rear elevational view thereof;
FIG. 3 is a left side view thereof;
FIG. 4 is a right side view thereof;
FIG. 5 is a bottom plan view thereof;
FIG. 6 is a first perspective view thereof;
FIG. 7 is a second perspective view thereof;
FIG. 8 is a third perspective view thereof; and,
FIG. 9 is a fourth perspective view thereof.

1 Claim, 9 Drawing Sheets



(56)

References Cited

U.S. PATENT DOCUMENTS

5,494,002 A * 2/1996 Greene A01K 15/021
119/719
D380,692 S * 7/1997 Heun D30/152
D385,208 S * 10/1997 Chui D10/104.1
D392,201 S * 3/1998 Chen D10/104.1
D399,445 S * 10/1998 Camano D10/104.1
D427,098 S * 6/2000 Biary D10/104.1
D428,218 S * 7/2000 Dehart D30/152
D434,991 S * 12/2000 Brooks D10/104.1
D445,352 S * 7/2001 So D30/199
D457,417 S * 5/2002 De Lima Castro D8/333
D483,281 S * 12/2003 Cobigo D10/104.1
D502,419 S * 3/2005 Copen D10/106.94
D506,694 S * 6/2005 Corney E05B 73/0041
D10/106.94
D553,620 S * 10/2007 Schroeder D14/217
7,336,180 B2 * 2/2008 Sayegh E05B 73/0017
24/704.1
D565,982 S * 4/2008 Smith D10/104.1
D578,918 S * 10/2008 Aninye D10/104.1
D587,713 S * 3/2009 Sutton D14/412
D599,242 S * 9/2009 Yang D10/106.94
D600,582 S * 9/2009 Treharne D10/106.2
D600,583 S * 9/2009 Treharne D10/106.2
D606,440 S * 12/2009 Sayegh D10/106.94
D611,361 S * 3/2010 Knight D10/65
7,757,640 B2 * 7/2010 Barclay A01K 13/00
119/719
D630,193 S * 1/2011 Bennett D14/167
D672,673 S * 12/2012 Sayegh D10/106.94
D674,786 S * 1/2013 Park D14/240
D684,148 S * 6/2013 Sei D14/240
D687,775 S * 8/2013 McGuire D13/110
D708,793 S * 7/2014 Silverlieb D26/38

D710,228 S * 8/2014 Burke D10/104.1
D710,229 S * 8/2014 Burke D10/104.1
D711,758 S * 8/2014 Heath D10/104.1
D713,103 S * 9/2014 Sproviero D30/199
D715,347 S * 10/2014 Troxel D16/202
D715,846 S * 10/2014 Troxel D16/202
D720,303 S * 12/2014 Fischer D13/162
D749,005 S * 2/2016 Bruce D10/104.1
9,247,714 B1 * 2/2016 Tait A01K 15/021
D756,816 S * 5/2016 Langton D10/65
D756,826 S * 5/2016 Smith D10/104.1
D759,013 S * 6/2016 Lessel D14/367
9,396,670 B2 * 7/2016 Kolton G09F 3/0323
D765,528 S * 9/2016 Fleck D10/104.1
D772,873 S * 11/2016 Kowal D14/188
D773,329 S * 12/2016 Olodort D10/104.1
D779,982 S * 2/2017 Madrid D10/70
D780,388 S * 2/2017 Ninomiya D32/21
D784,296 S * 4/2017 Katsuno D14/218
9,642,338 B2 * 5/2017 Kim A01K 15/021
D788,624 S * 6/2017 Iritani D10/106.5
D789,367 S * 6/2017 Jentz D14/218
D803,708 S * 11/2017 Madrid D10/70
D806,326 S * 12/2017 Blaska D30/152
9,847,001 B2 * 12/2017 Berglund G08B 13/2434
D810,593 S * 2/2018 Liu D10/70
D812,499 S * 3/2018 Kuh D10/70
D815,052 S * 4/2018 Schindler D13/162
2007/0113797 A1 * 5/2007 Mainini A01K 15/023
119/721
2009/0032560 A1 * 2/2009 Strandberg A45F 5/00
224/267
2015/0331441 A1 * 11/2015 Ho H05K 5/0239
361/752
2016/0278219 A1 * 9/2016 Ito H05K 5/0034
2017/0042125 A1 * 2/2017 Kim A01K 11/00

* cited by examiner

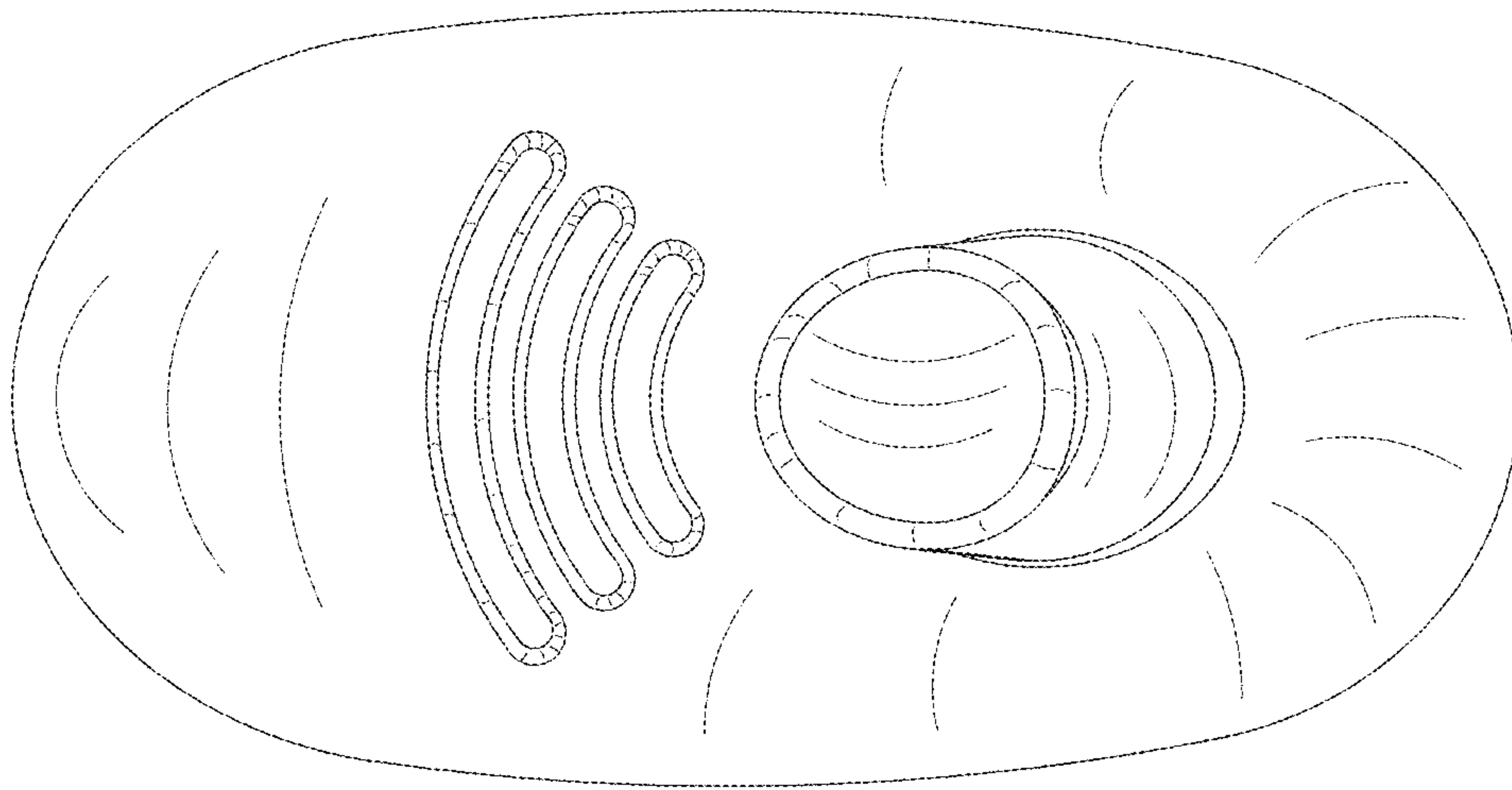


Fig. 1

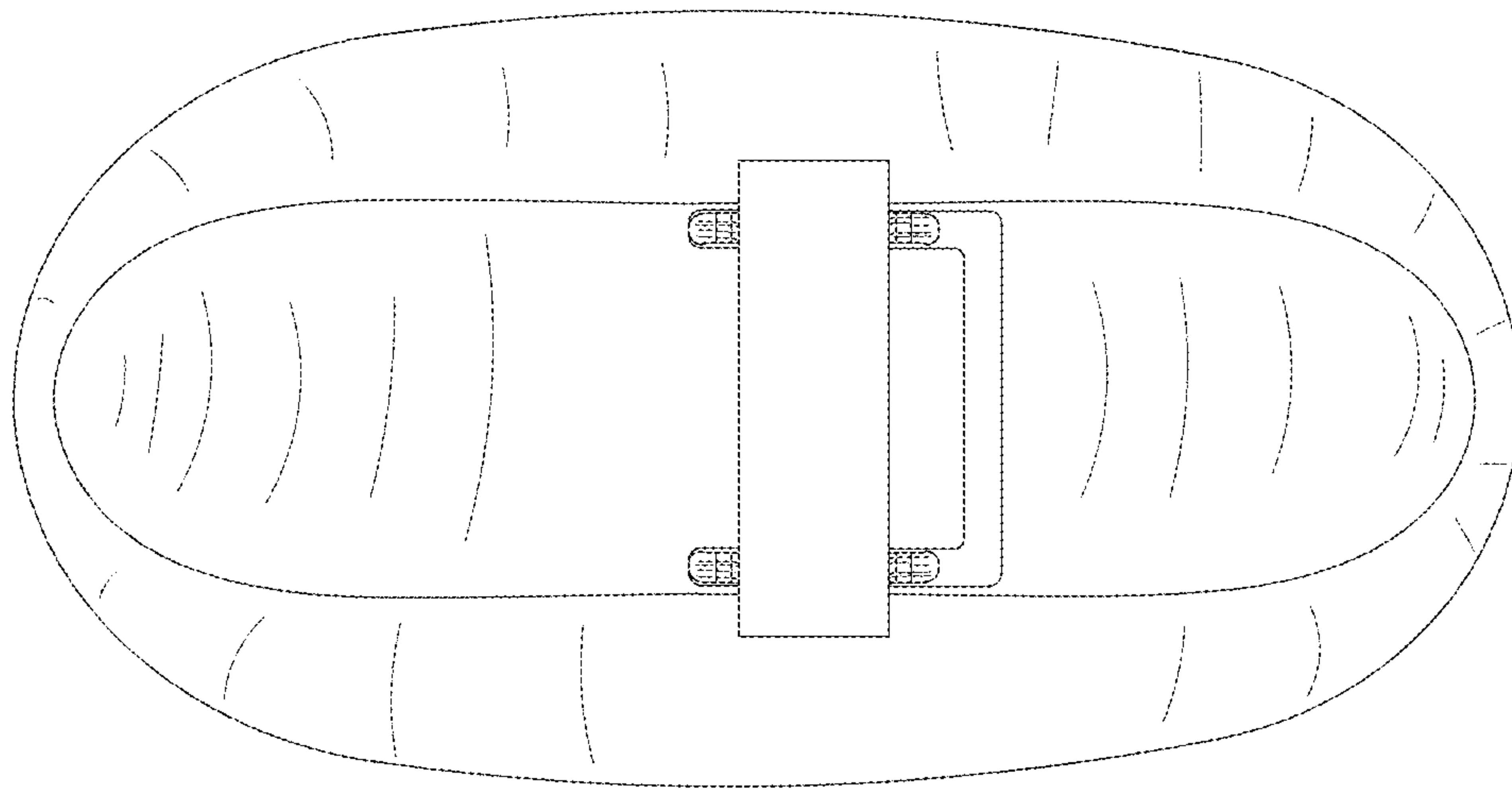


Fig. 2

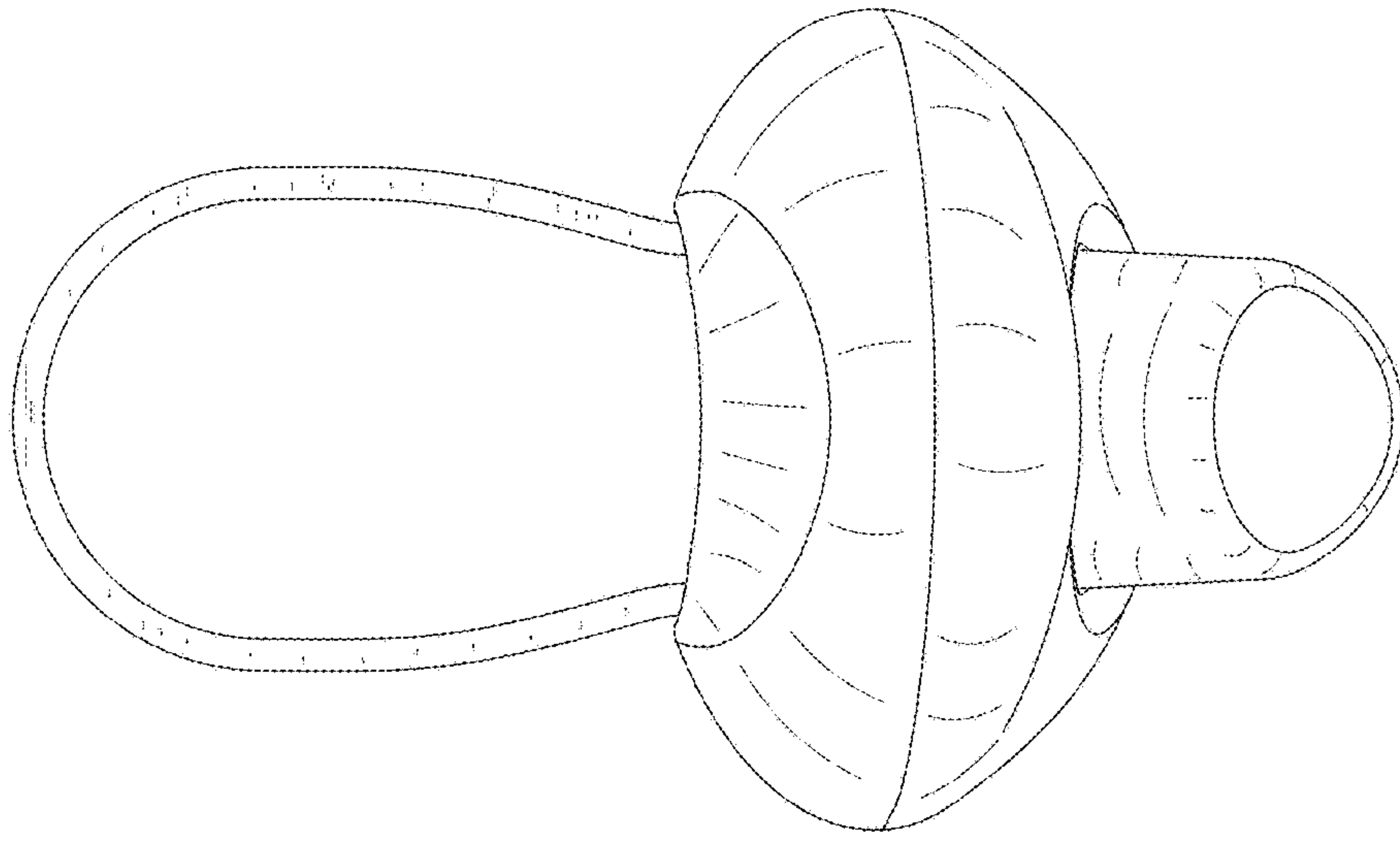


Fig. 3

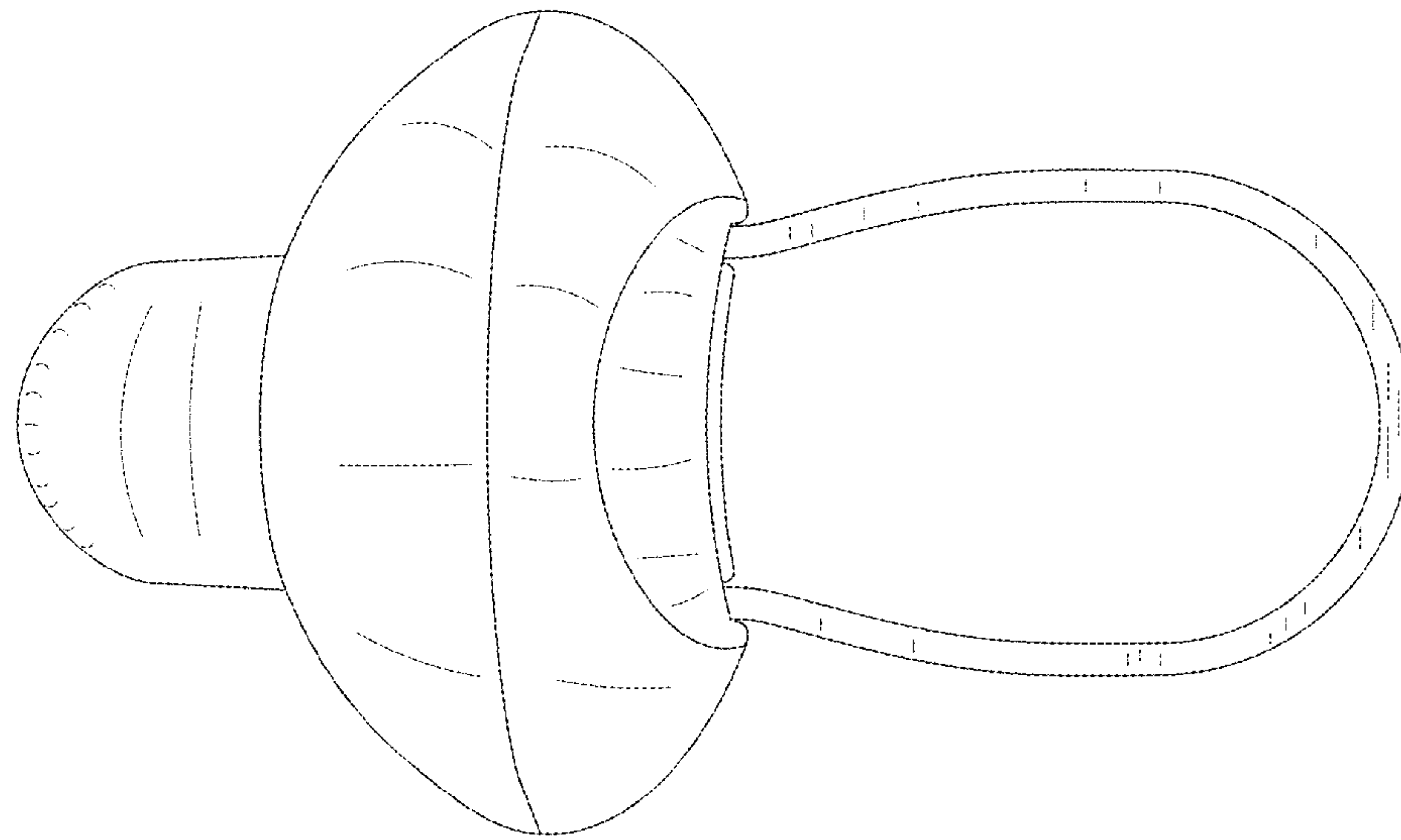


Fig. 4

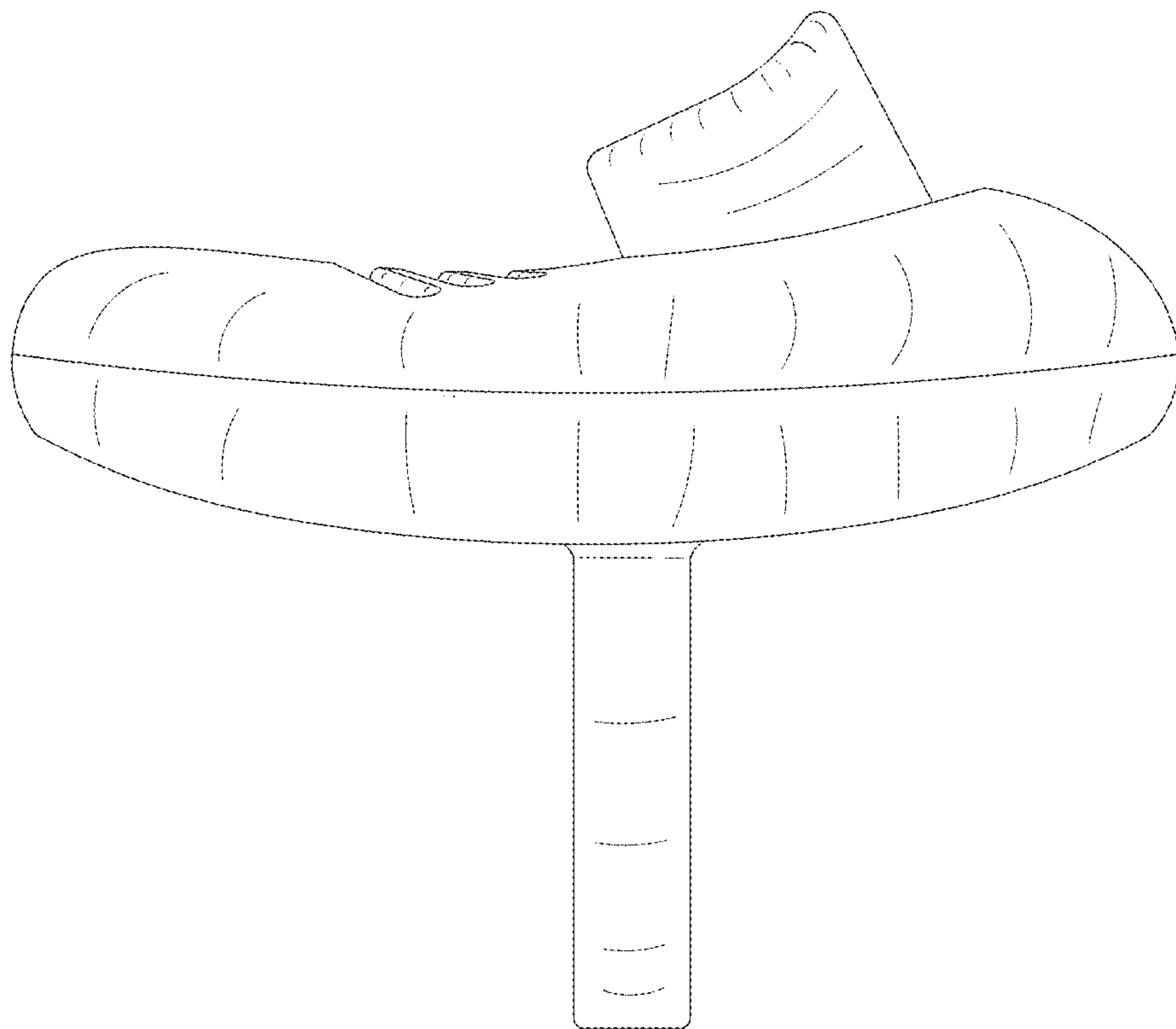


Fig. 5

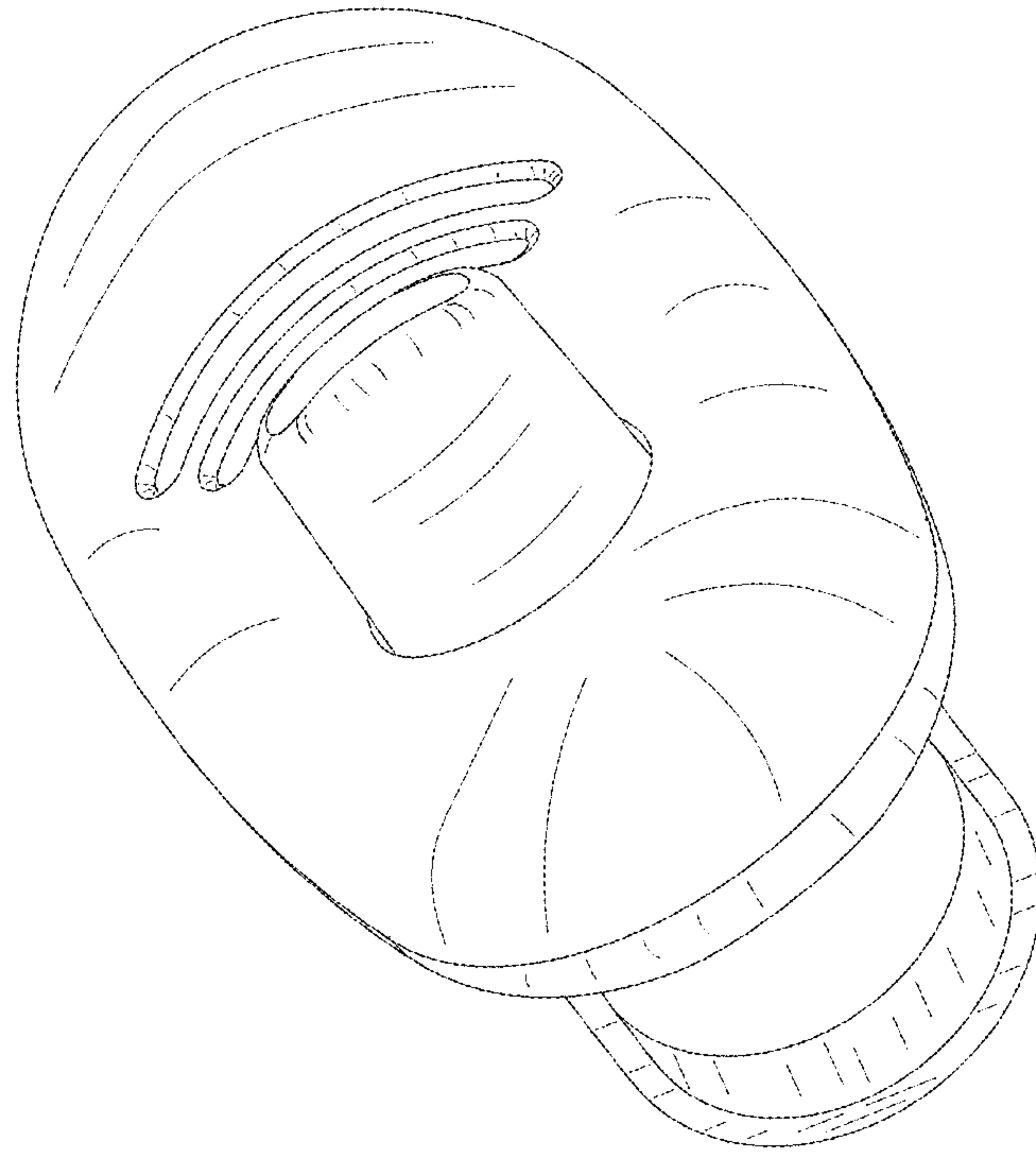


Fig. 6

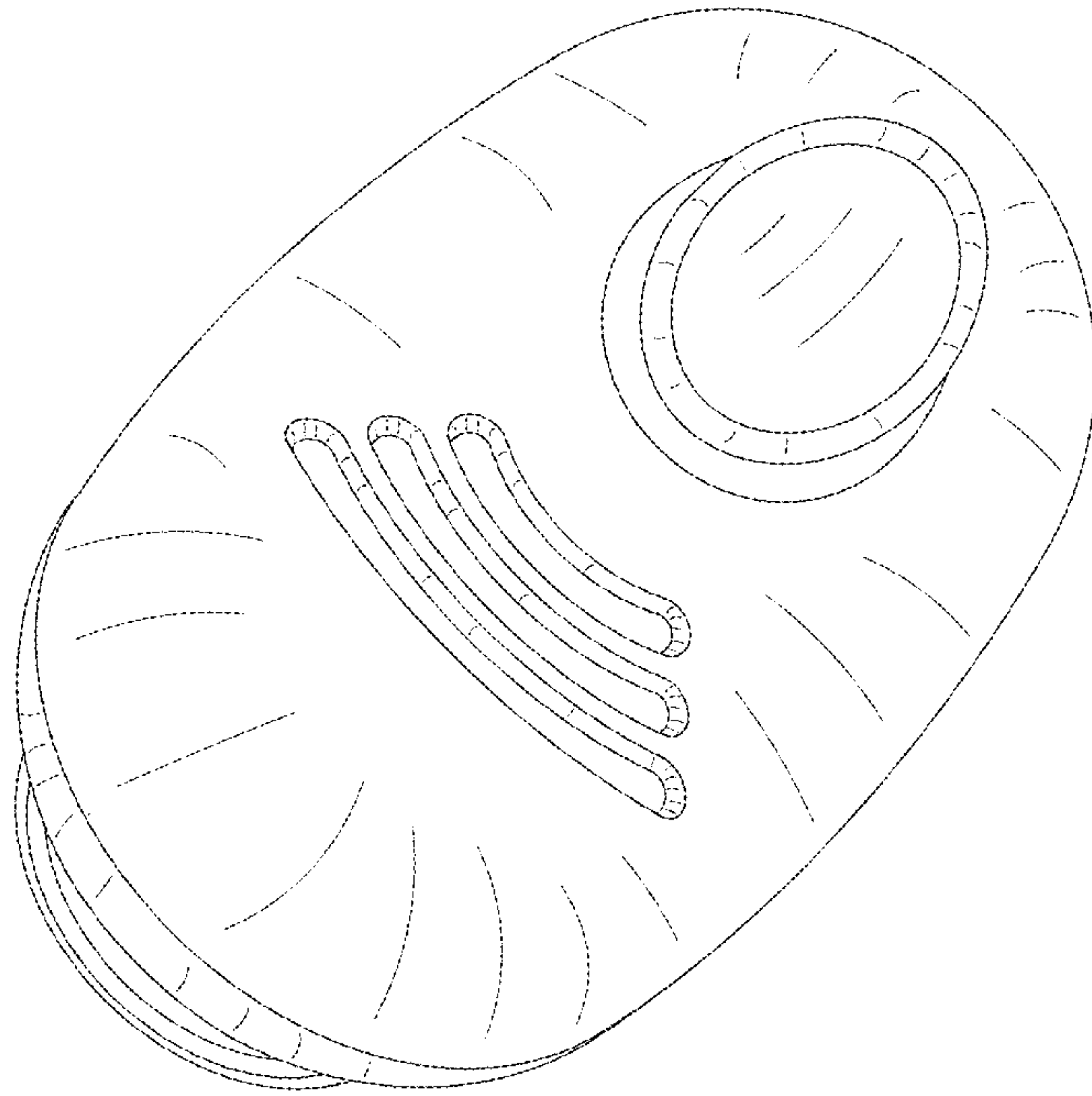


Fig. 7

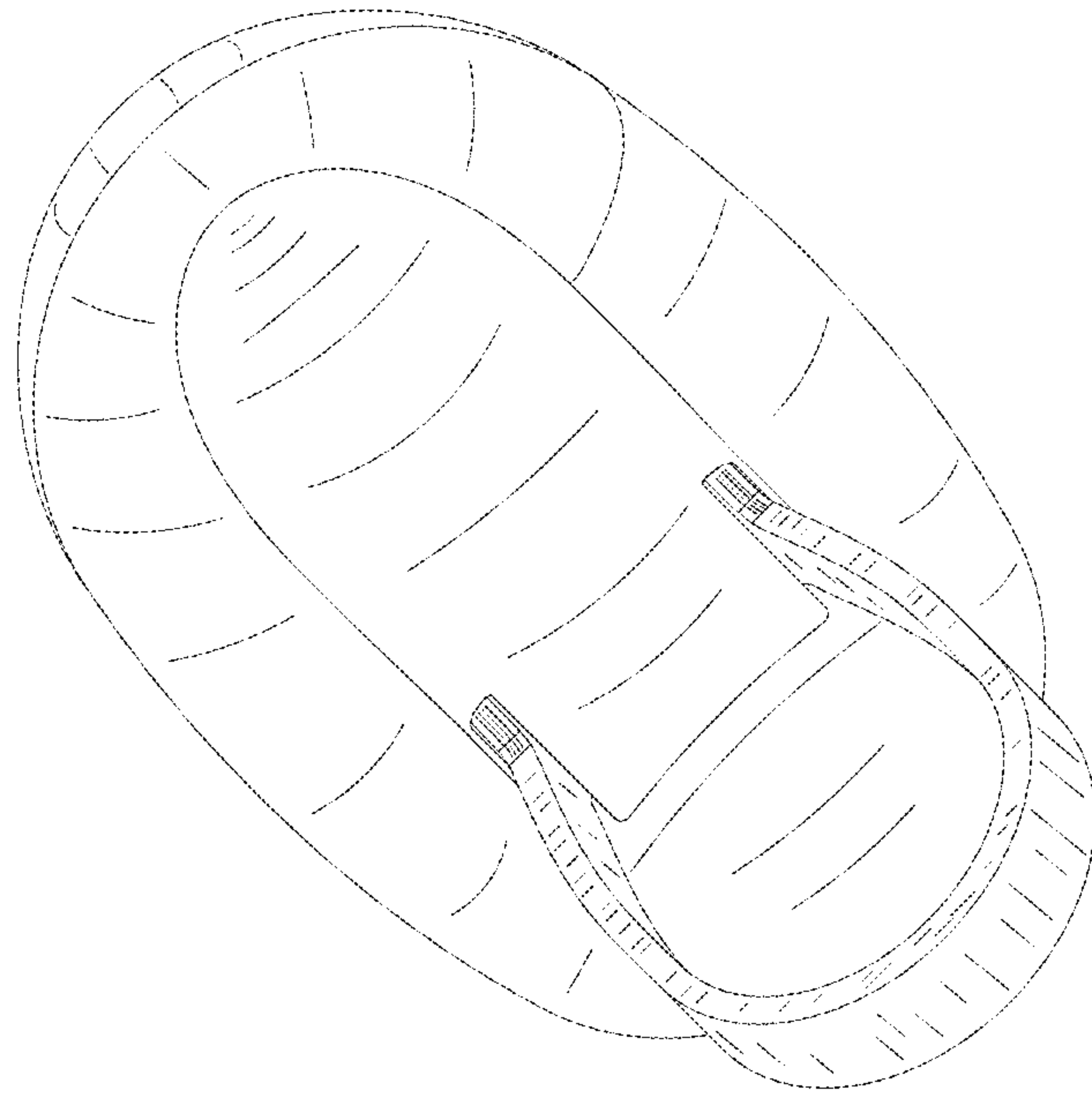


Fig. 8

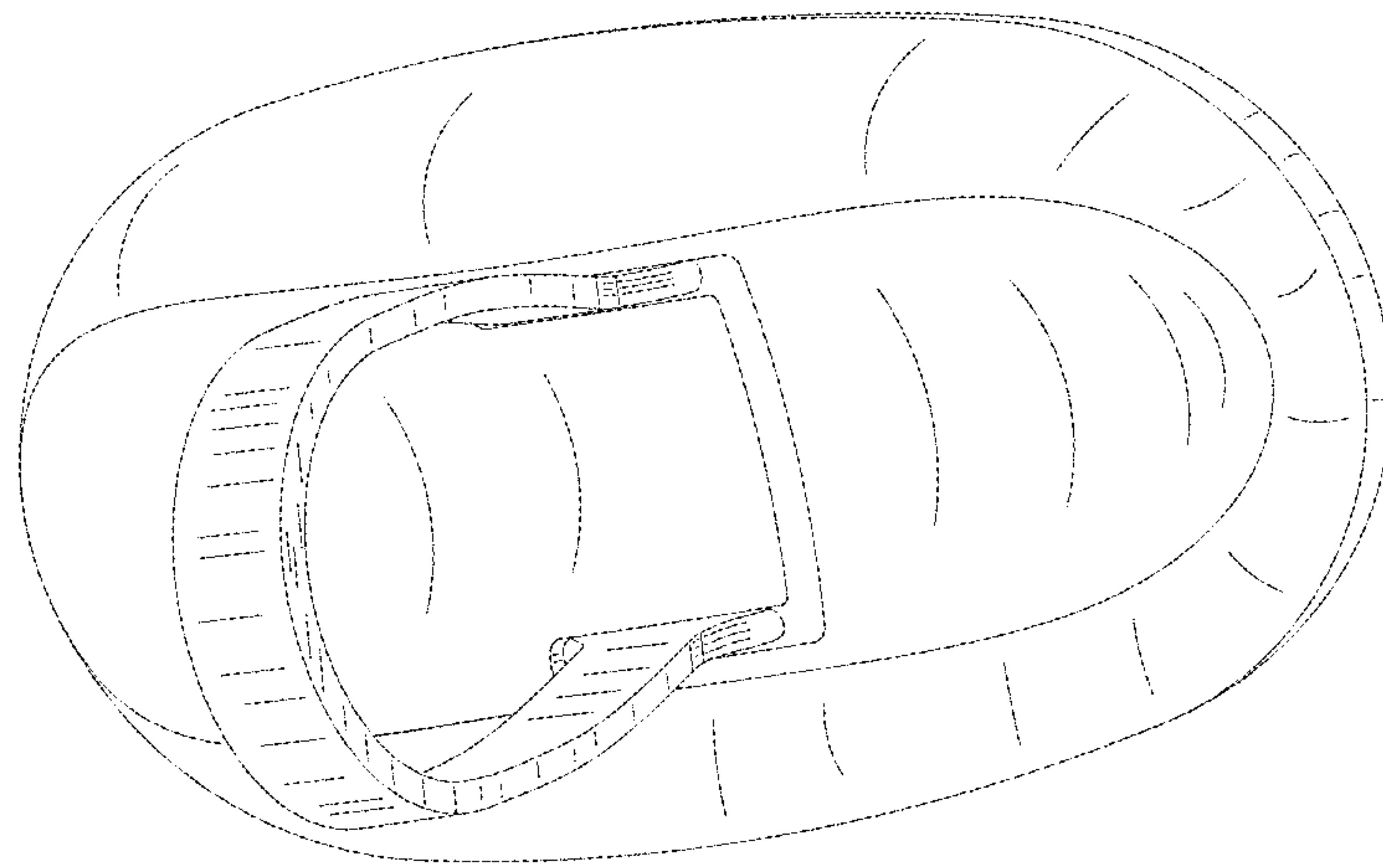


Fig. 9