



US00D824109S

(12) **United States Design Patent**  
**Sanders**

(10) **Patent No.:** **US D824,109 S**

(45) **Date of Patent:** **\*\* Jul. 24, 2018**

(54) **HARNES ANCHORAGE**

CPC ..... A41D 1/00  
See application file for complete search history.

(71) Applicant: **JSP Limited**, Minster Lovell, Witney,  
Oxfordshire (GB)

(56) **References Cited**

(72) Inventor: **Steve Sanders**, Minster Lovell (GB)

U.S. PATENT DOCUMENTS

(73) Assignee: **JSP LIMITED**, Oxford (GB)

2,274,652	A *	3/1942	Bayon	.....	A41F 3/00
					2/330
5,518,486	A *	5/1996	Sheeler	.....	A63B 21/0004
					482/131
D560,313	S *	1/2008	Frank	.....	D29/101.1
D714,540	S *	10/2014	Barlet	.....	D3/215
D739,085	S *	9/2015	Tadeo	.....	D29/101.1

(\*\*) Term: **15 Years**

(21) Appl. No.: **29/609,248**

\* cited by examiner

(22) Filed: **Jun. 29, 2017**

*Primary Examiner* — Randall H Gholson  
(74) *Attorney, Agent, or Firm* — King & Schickli, PLLC

(30) **Foreign Application Priority Data**

Jan. 4, 2017 (EM) ..... 003569631

(51) **LOC (11) Cl.** ..... **29-02**

(52) **U.S. Cl.**  
USPC ..... **D29/101.1**

(58) **Field of Classification Search**  
USPC ..... D29/100, 101.1, 101.2, 101.3, 101.4,  
D29/101.5, 122; 2/1; D2/626, 628, 629,  
D2/829; D3/215, 218, 219, 221, 226;  
359/519

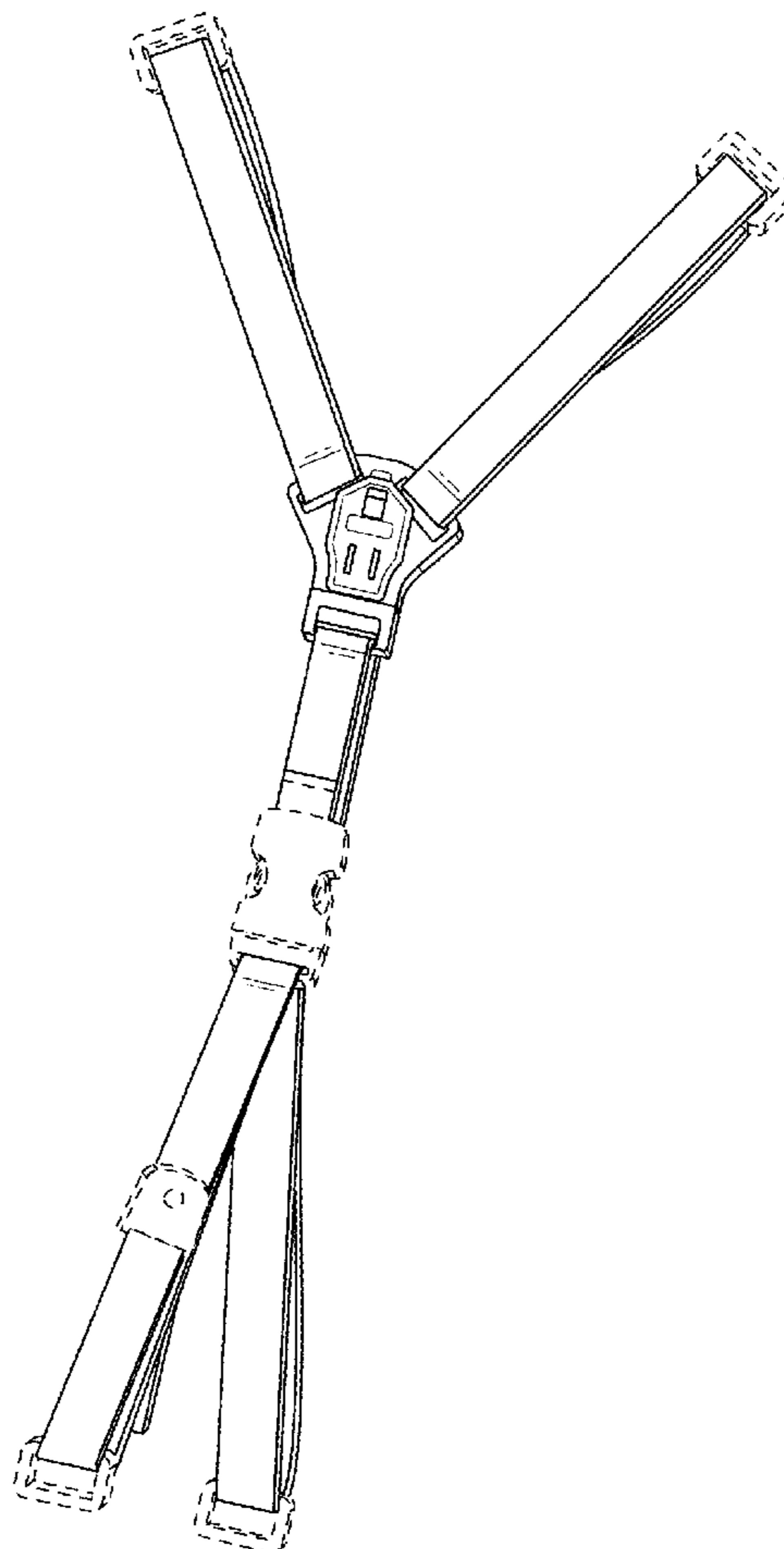
(57) **CLAIM**

The ornamental design for a harness anchorage, as shown and described.

**DESCRIPTION**

FIG. 1 is a front perspective view of the design;  
FIG. 2 is a rear perspective view of the design;  
FIG. 3 is a front view of the design; and,  
FIG. 4 is a rear view of the design.

**1 Claim, 4 Drawing Sheets**



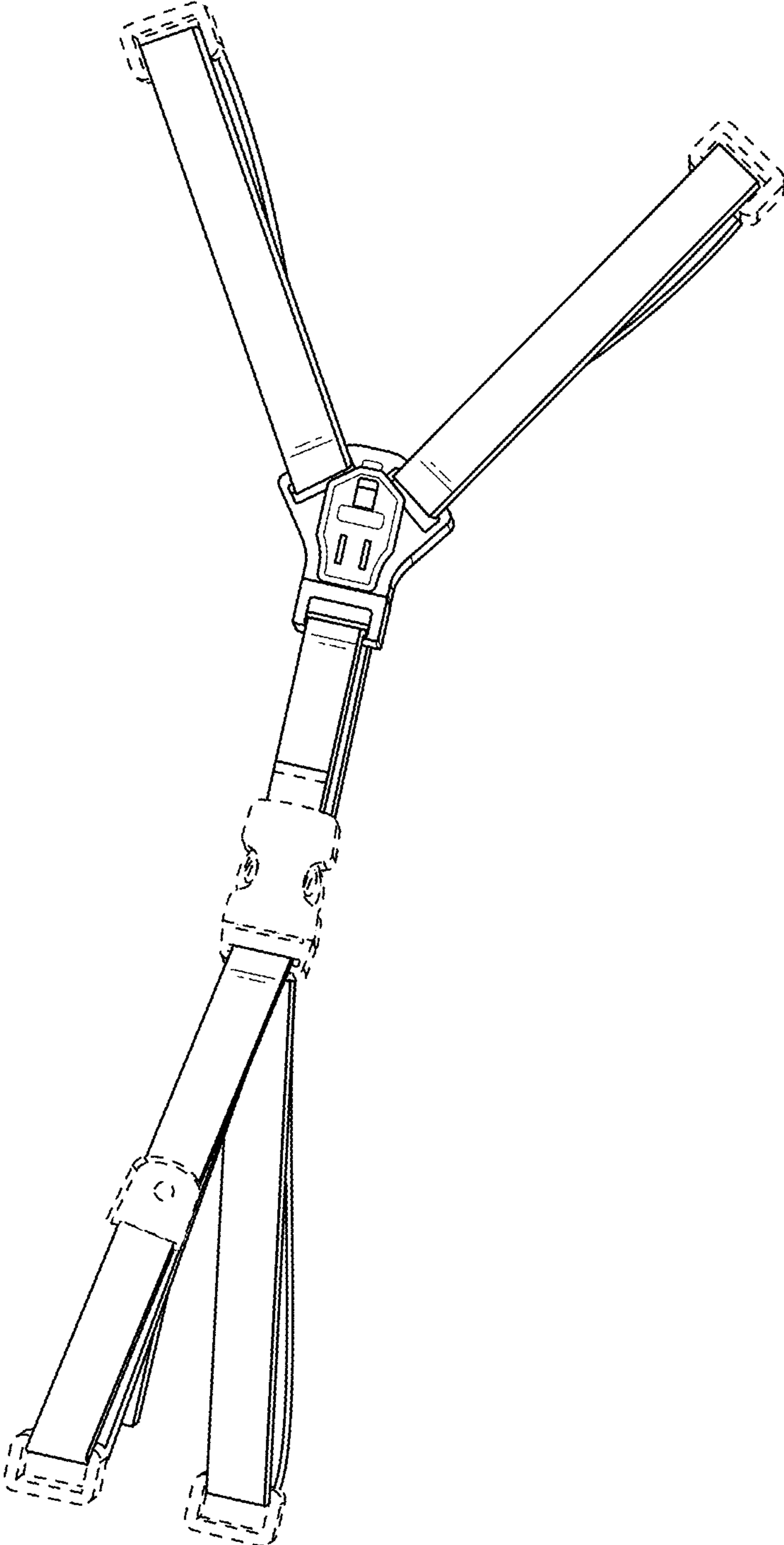


FIG. 1

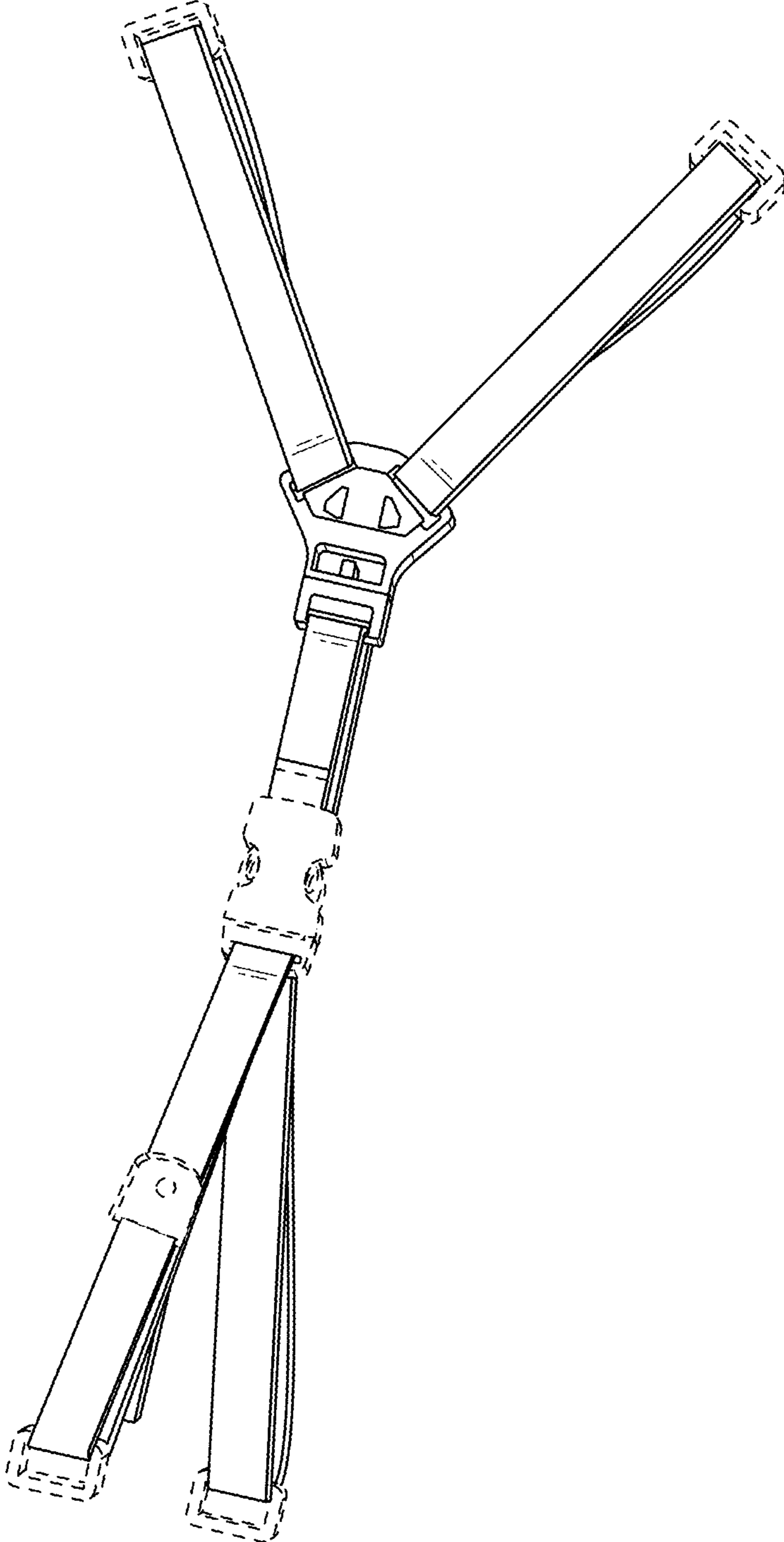


FIG. 2

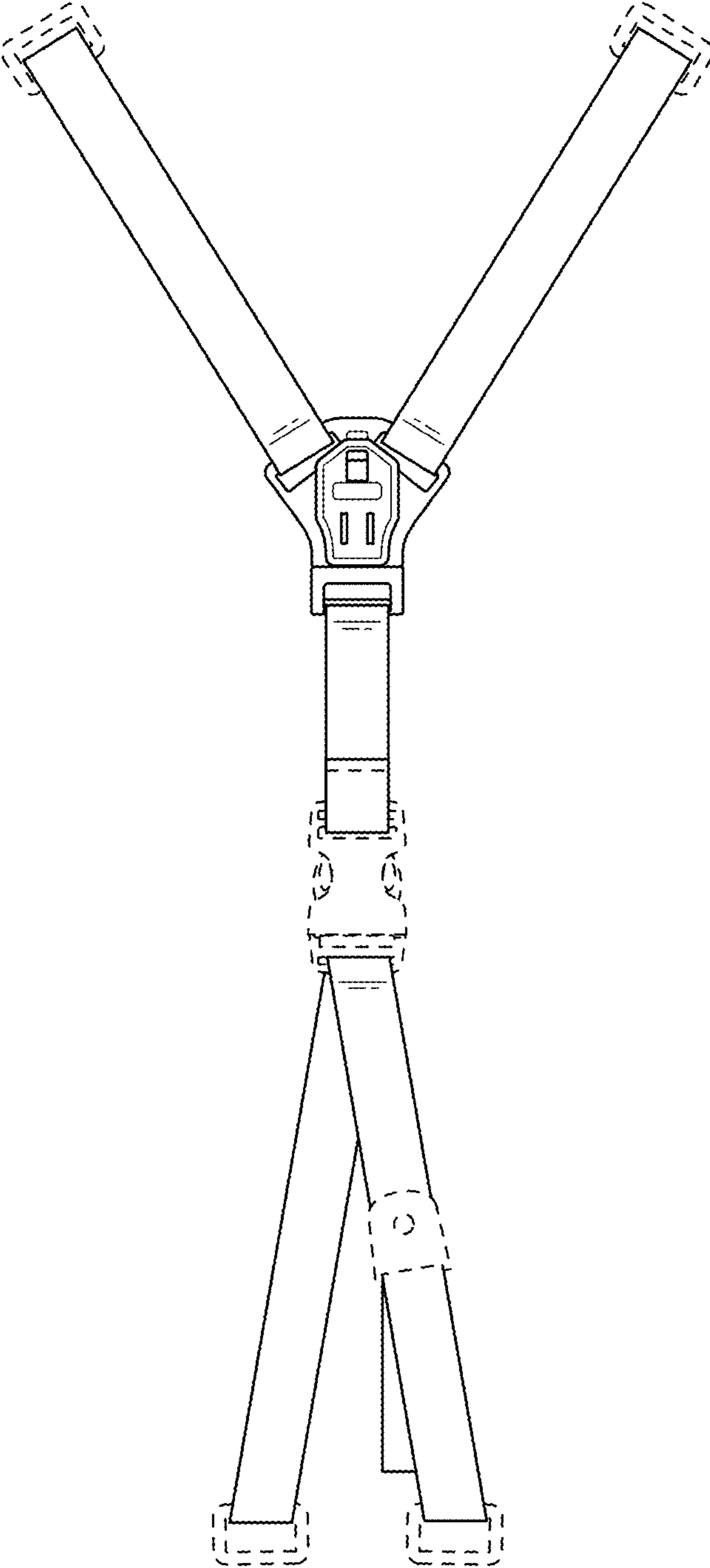


FIG. 3

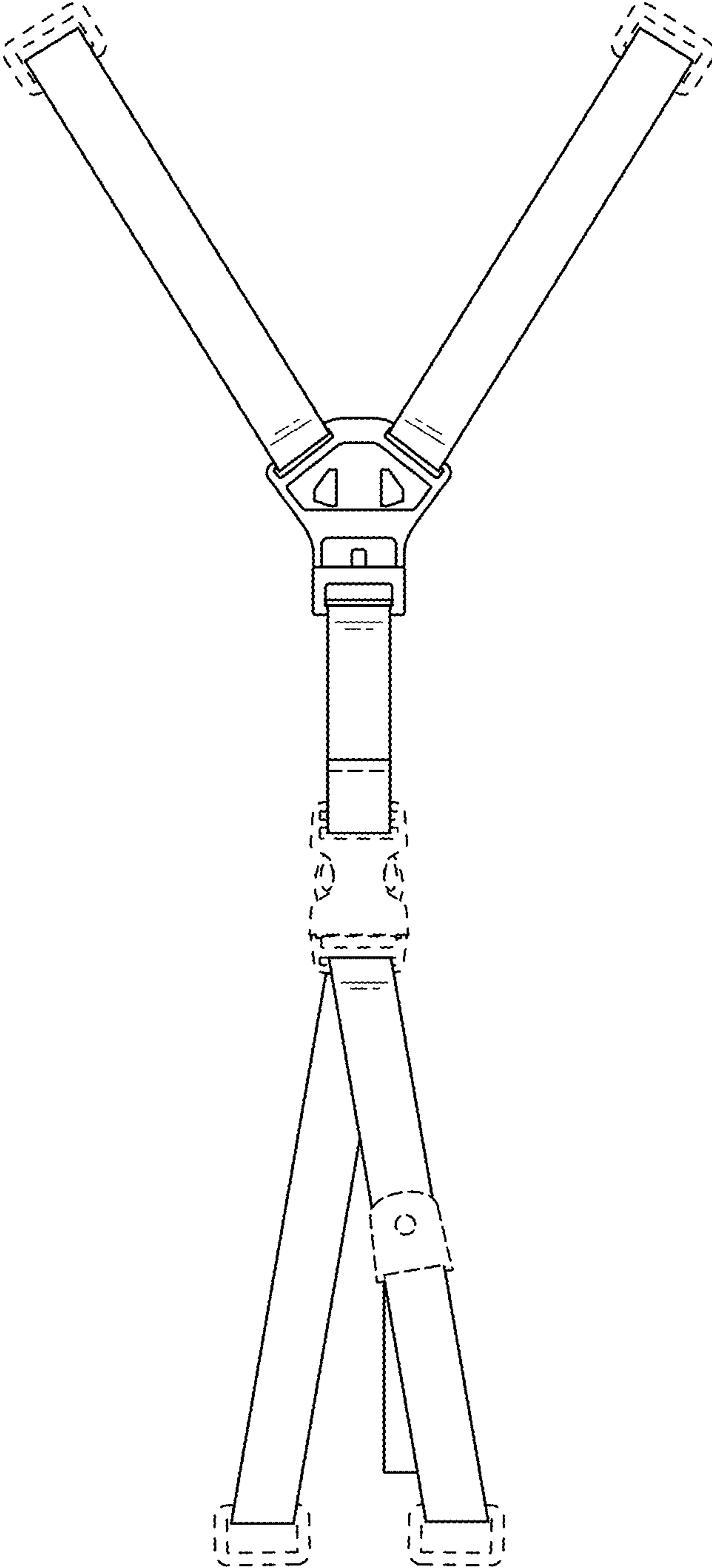


FIG. 4