



US00D824105S

(12) **United States Design Patent** (10) **Patent No.:** **US D824,105 S**
Ino et al. (45) **Date of Patent:** **** Jul. 24, 2018**

(54) **ELECTRIC CLIPPER**
(71) Applicant: **Panasonic Intellectual Property Management Co., Ltd., Osaka (JP)**

D675,377 S * 1/2013 Boulanger D28/46
D695,962 S * 12/2013 Prat-Pfister D28/50
D696,461 S * 12/2013 Prat-Pfister D28/53
D697,264 S * 1/2014 Bergese D28/53
(Continued)

(72) Inventors: **Tomoaki Ino, Kanagawa (JP); Mikiyasu Ishikura, Kyoto (JP); Kensaku Okabe, Osaka (JP); Miki Kobayashi, Osaka (JP)**

FOREIGN PATENT DOCUMENTS

JP 2013215353 A * 10/2013 B26B 19/205
JP D1516315 2/2015
JP D1558821 9/2016

(73) Assignee: **Panasonic Intellectual Property Management Co., Ltd., Osaka (JP)**

Primary Examiner — Jennifer Rivard
(74) *Attorney, Agent, or Firm* — Panasonic IP Management; Kerry S. Culpepper

(**) Term: **15 Years**

(21) Appl. No.: **29/593,162**

(57) **CLAIM**

We claim the ornamental design for an electric clipper, as shown and described.

(22) Filed: **Feb. 7, 2017**

(30) **Foreign Application Priority Data**

DESCRIPTION

Aug. 29, 2016 (JP) 2016-018260
Aug. 29, 2016 (JP) 2016-018261

(51) **LOC (11) Cl.** **28-03**

(52) **U.S. Cl.**
USPC **D28/53**

(58) **Field of Classification Search**
USPC D28/49–54
CPC B26B 19/00; B26B 19/02–19/08; B26B 19/10–19/107; B26B 19/20–19/22; B26B 19/38; B26B 19/384; B26B 19/3846–19/3866
See application file for complete search history.

FIG. 1 is a front perspective view of a first electric clipper of the present invention;
FIG. 2 is a rear perspective view thereof;
FIG. 3 is a front view thereof;
FIG. 4 is a rear view thereof;
FIG. 5 is a first side view thereof;
FIG. 6 is a second side view thereof;
FIG. 7 is a top view thereof; and,
FIG. 8 is a bottom view.
FIG. 9 is a front perspective view of a second electric clipper of the present invention;
FIG. 10 is a rear perspective view thereof;
FIG. 11 is a front view thereof;
FIG. 12 is a rear view thereof;
FIG. 13 is a first side view thereof;
FIG. 14 is a second side view thereof;
FIG. 15 is a top view thereof; and,
FIG. 16 is a bottom view thereof.

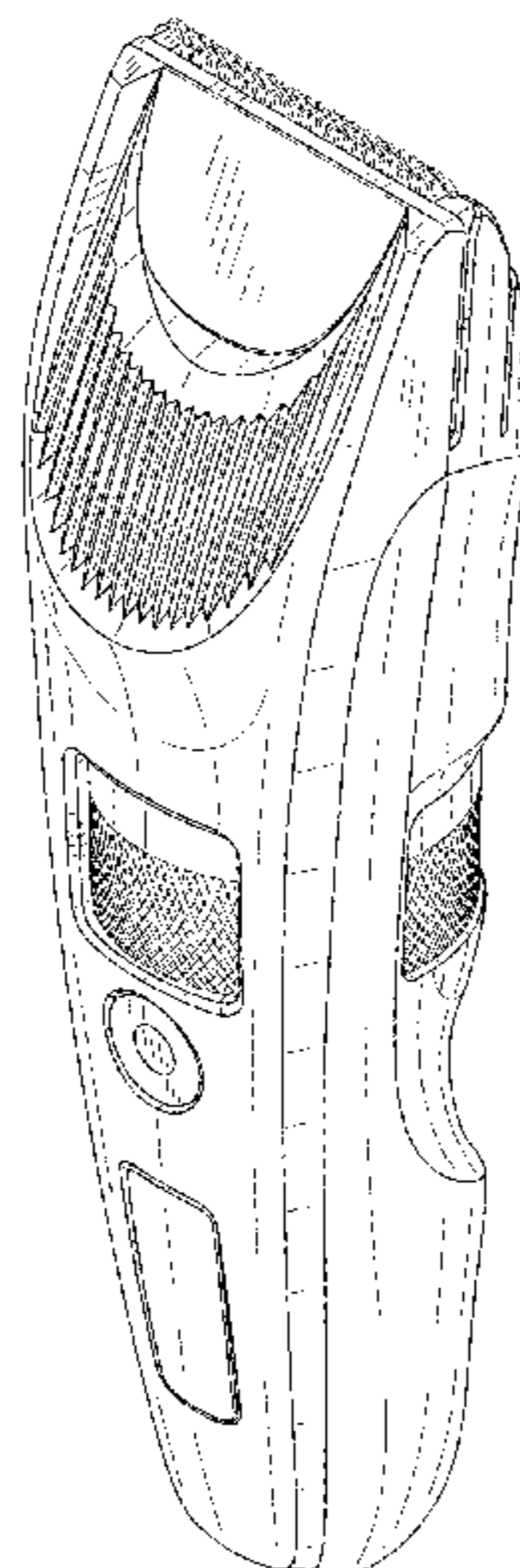
The broken lines illustrate a portion of the electric clipper and form no part of the claimed design.

(56) **References Cited**

U.S. PATENT DOCUMENTS

D279,930 S * 7/1985 George D28/48
D424,746 S * 5/2000 Lee D28/50
D435,935 S * 1/2001 Nobile D28/48
D522,694 S * 6/2006 Shin D28/53
D524,486 S * 7/2006 Ng D28/53
D637,759 S * 5/2011 Byun D28/50

1 Claim, 16 Drawing Sheets



(56)

References Cited

U.S. PATENT DOCUMENTS

D698,491 S *	1/2014	Ellison	D28/50
D722,723 S *	2/2015	Nitsch	D28/53
D758,015 S *	5/2016	Prat-Pfister	D28/50
D758,017 S *	5/2016	Smith	D28/50
D771,315 S *	11/2016	Andersson	D28/53
D777,375 S *	1/2017	Frankel	D28/50
D784,619 S *	4/2017	Mori	D28/53
D799,753 S *	10/2017	Ishikura	D28/53
D800,388 S *	10/2017	Ino	D28/53
D808,078 S *	1/2018	Smith	D28/52
D808,592 S *	1/2018	Fleming	D28/53
D812,301 S *	3/2018	Yan	D28/50

* cited by examiner

FIG. 1

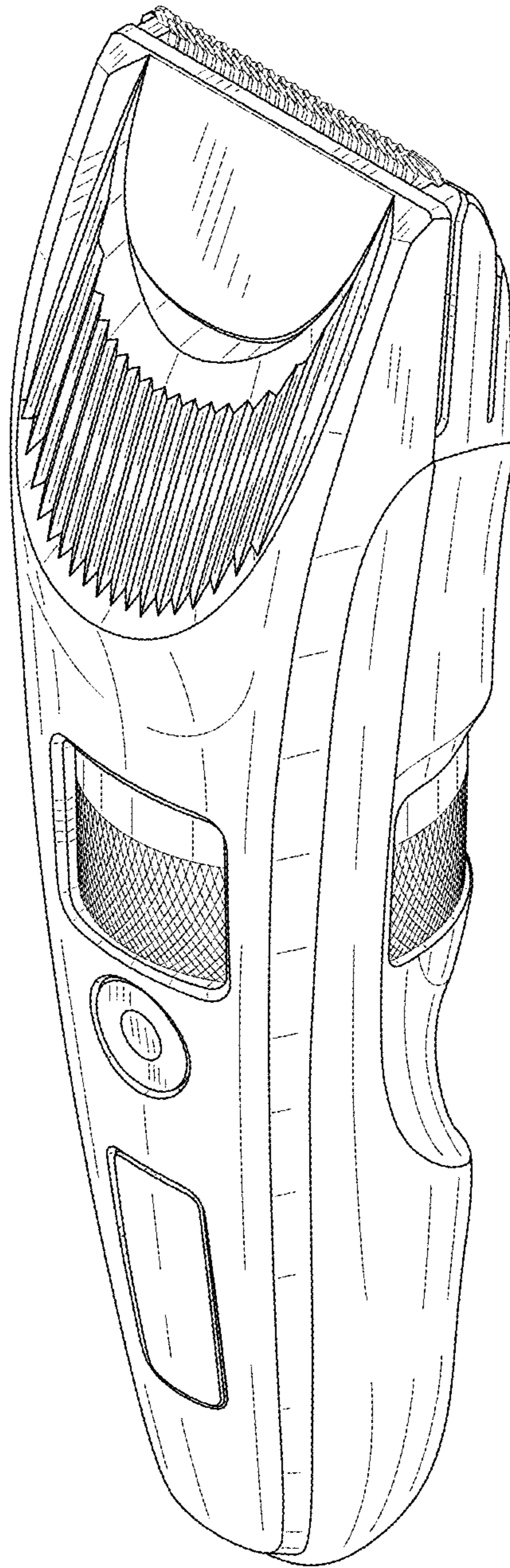


FIG.2

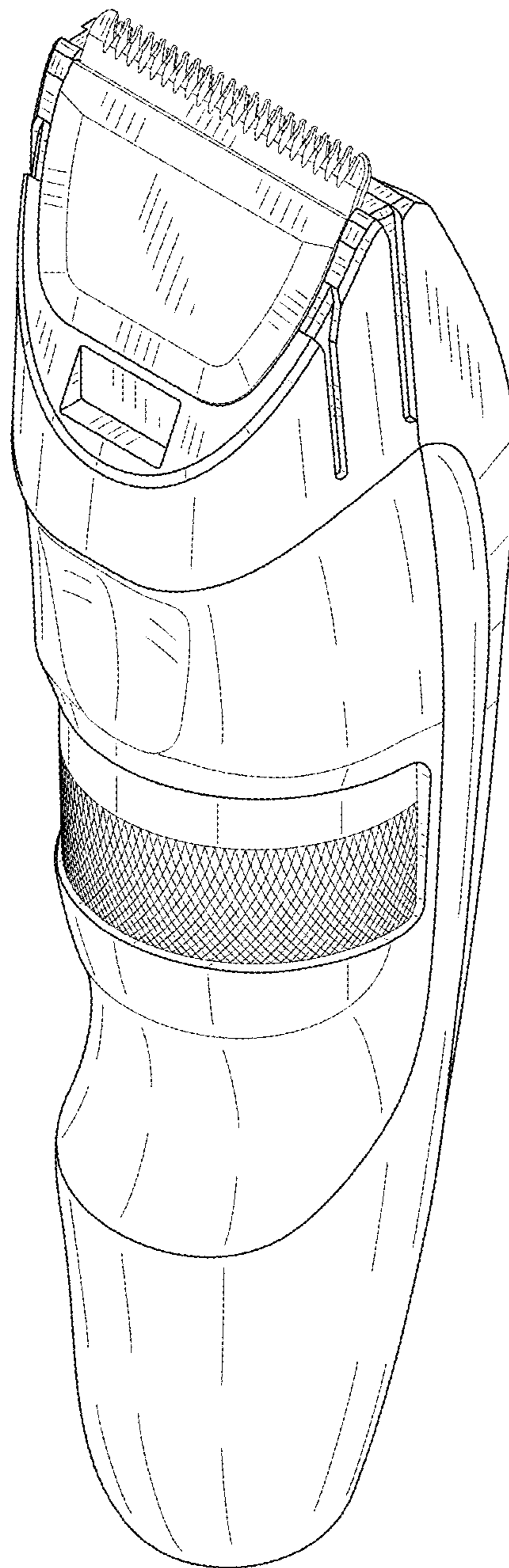


FIG.3

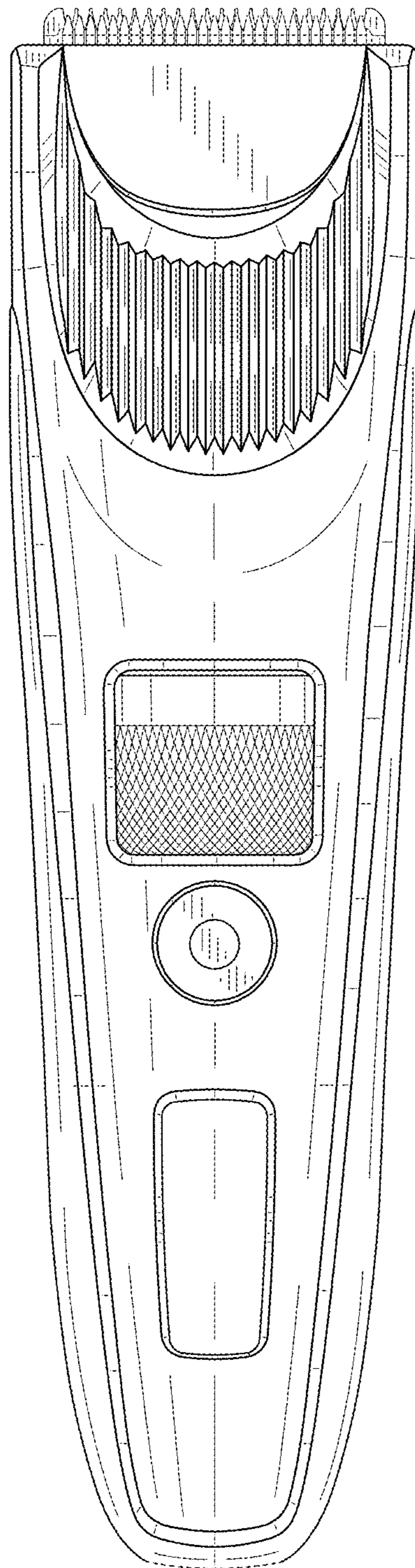


FIG.4

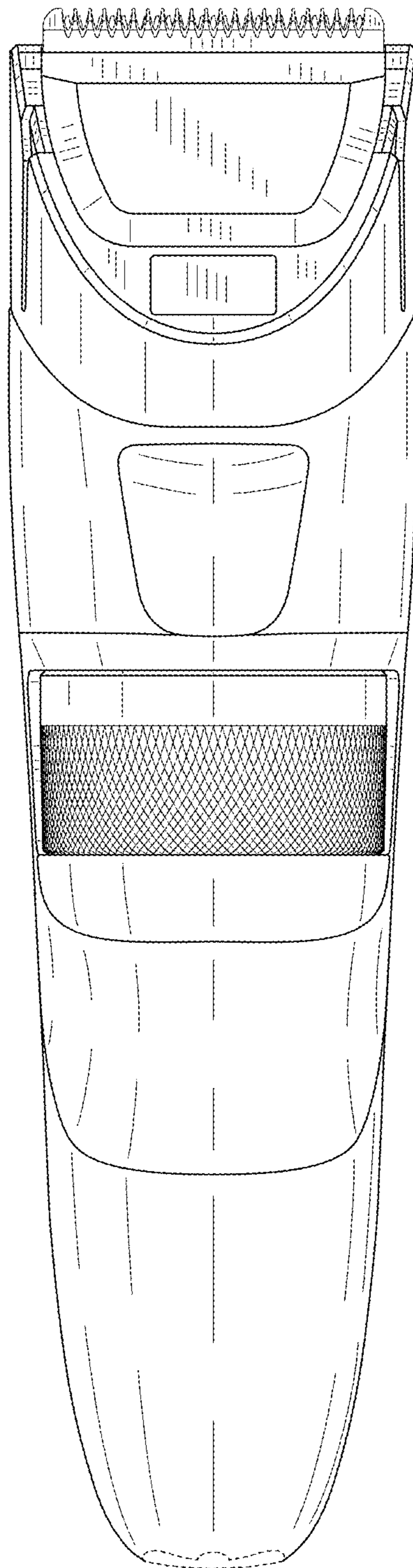


FIG.5

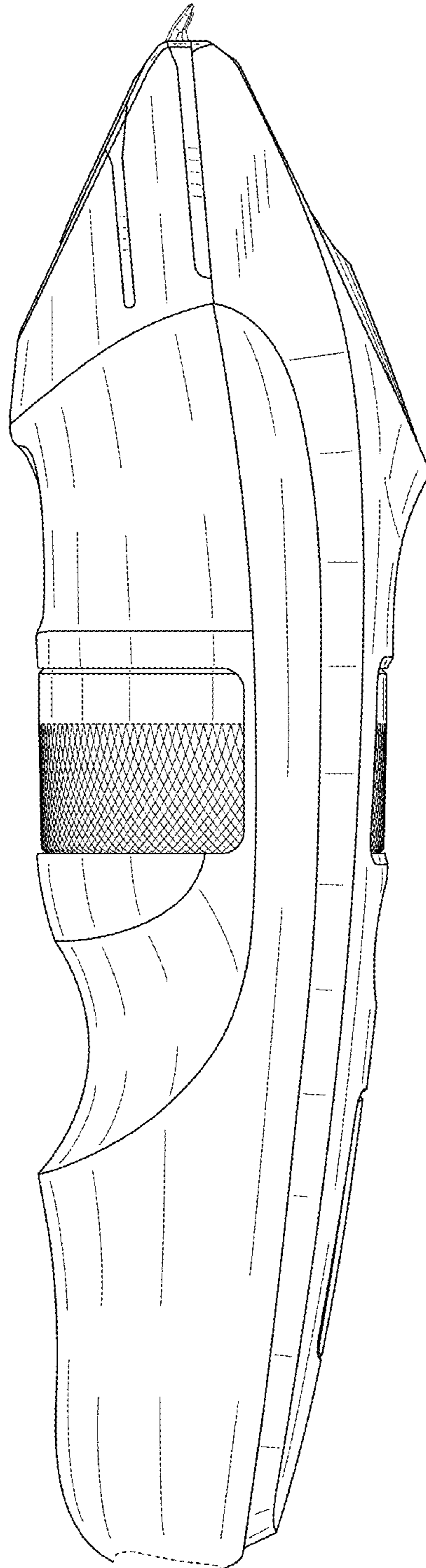


FIG.6

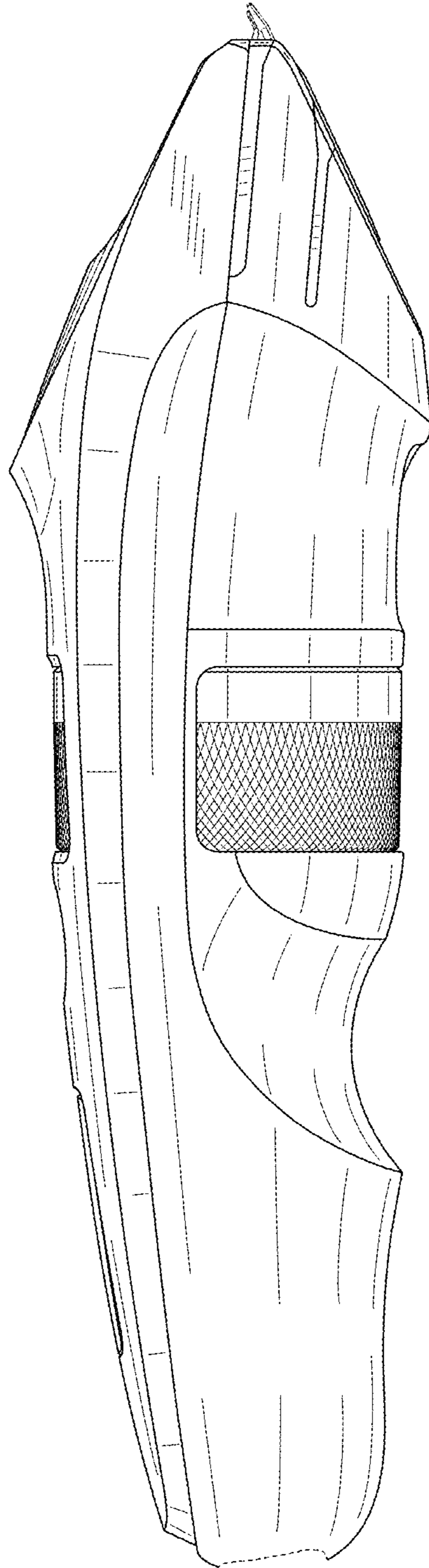


FIG. 7

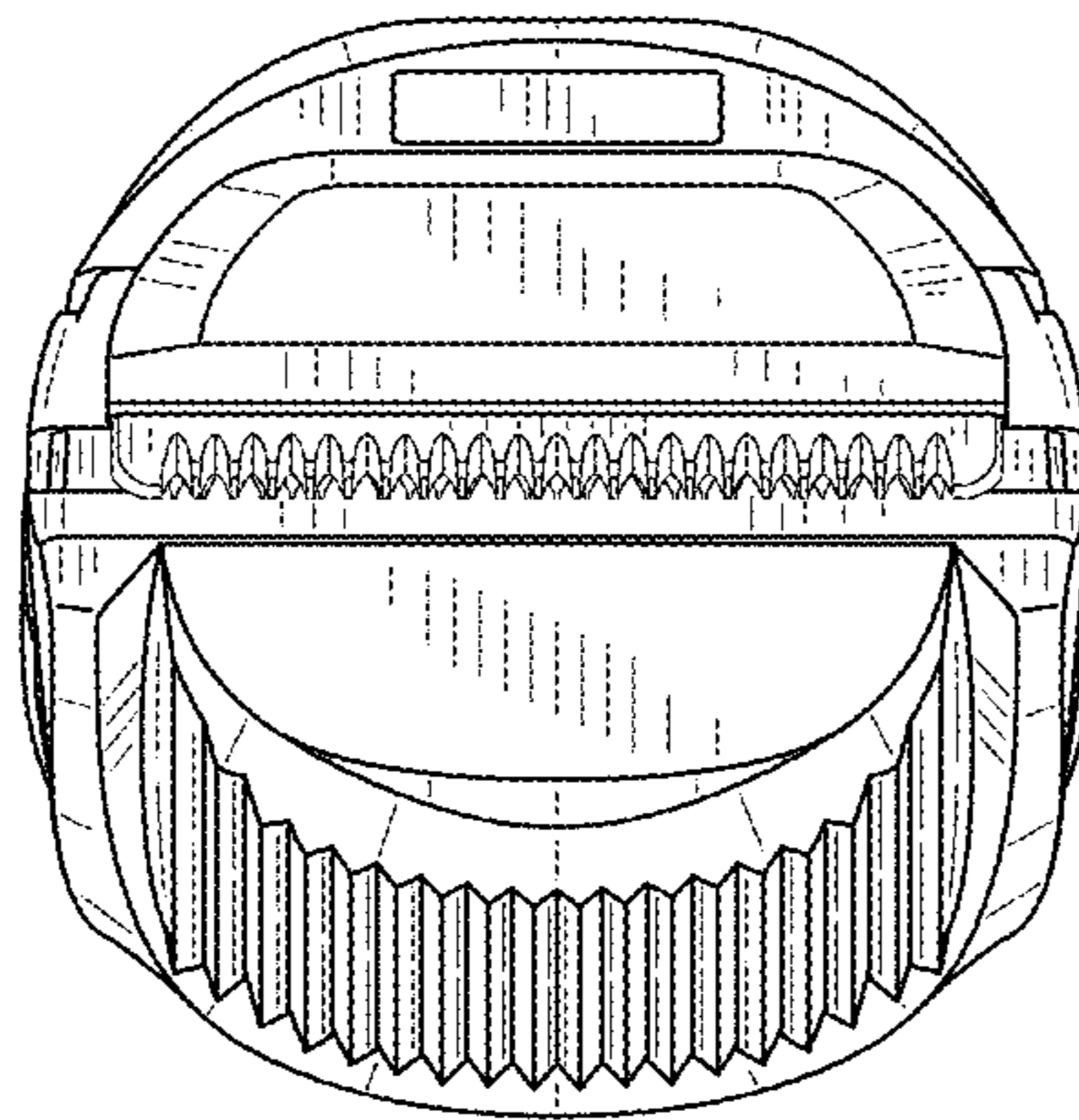


FIG.8

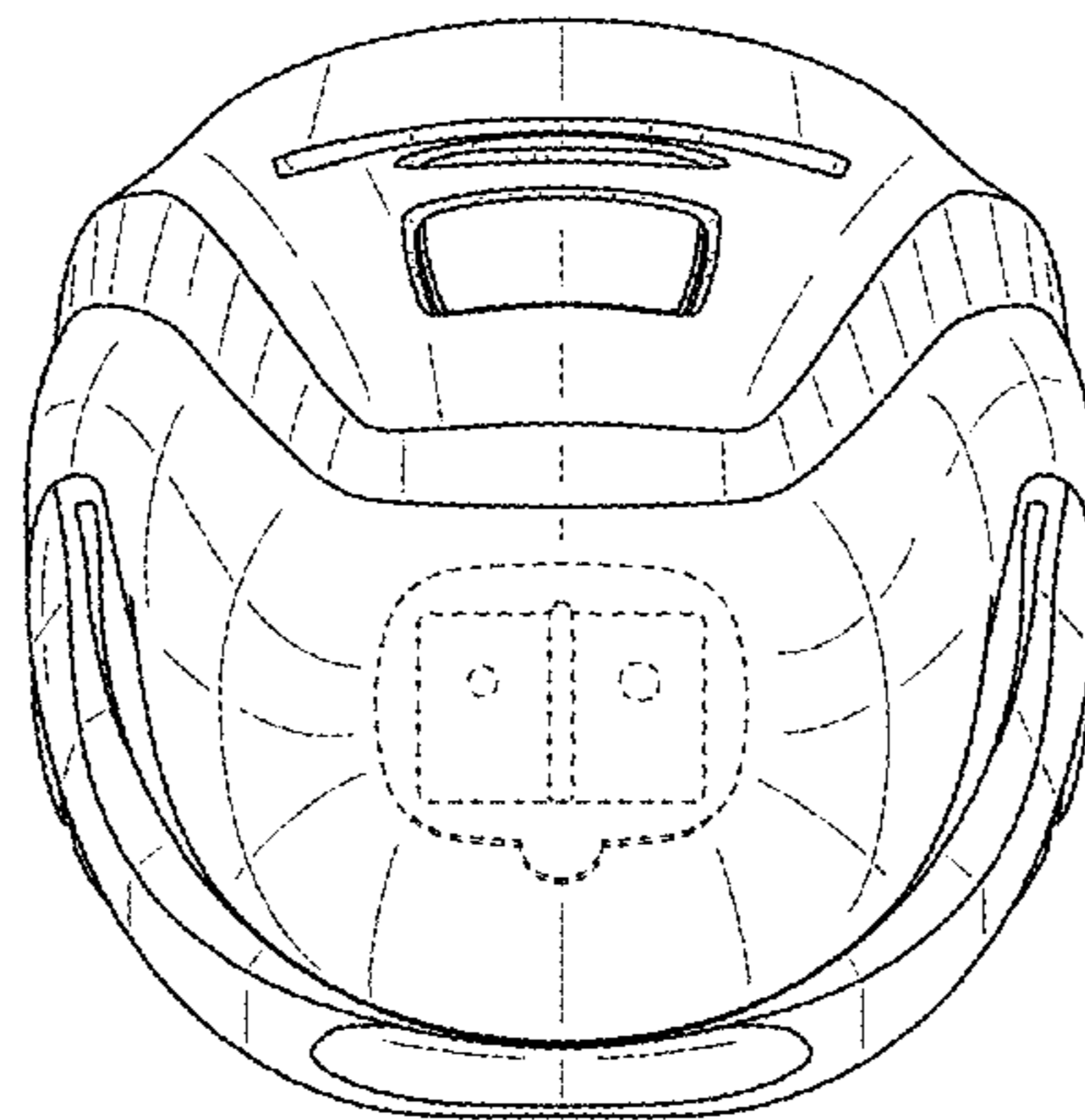


FIG.9

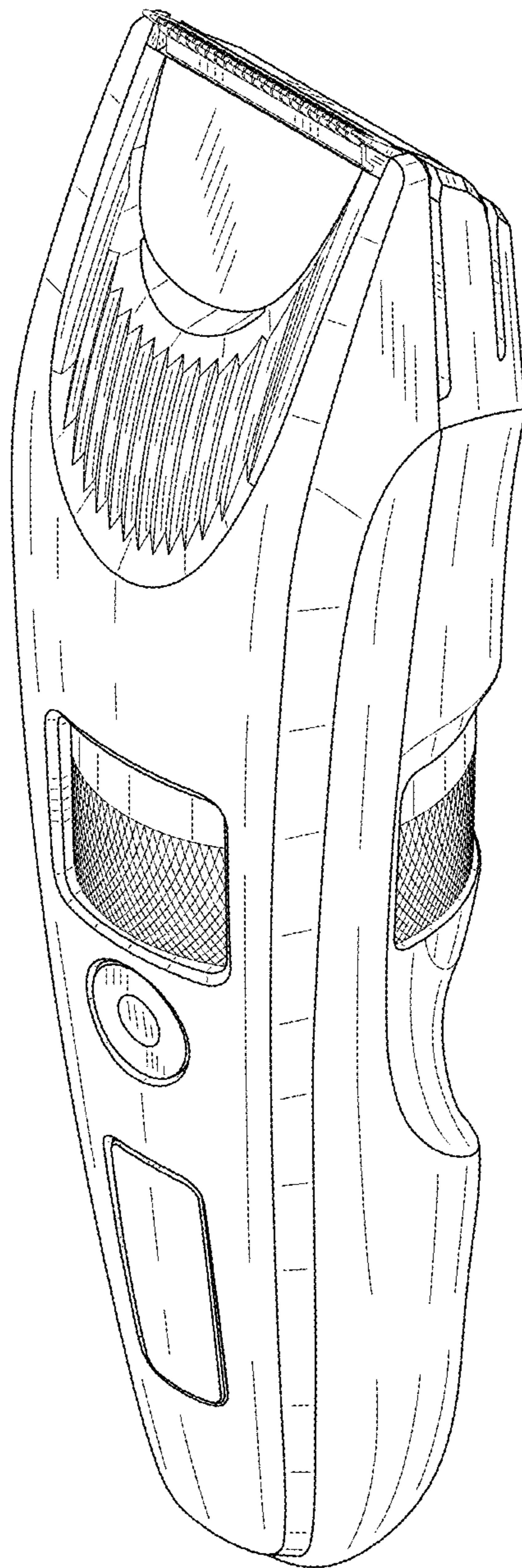


FIG.10

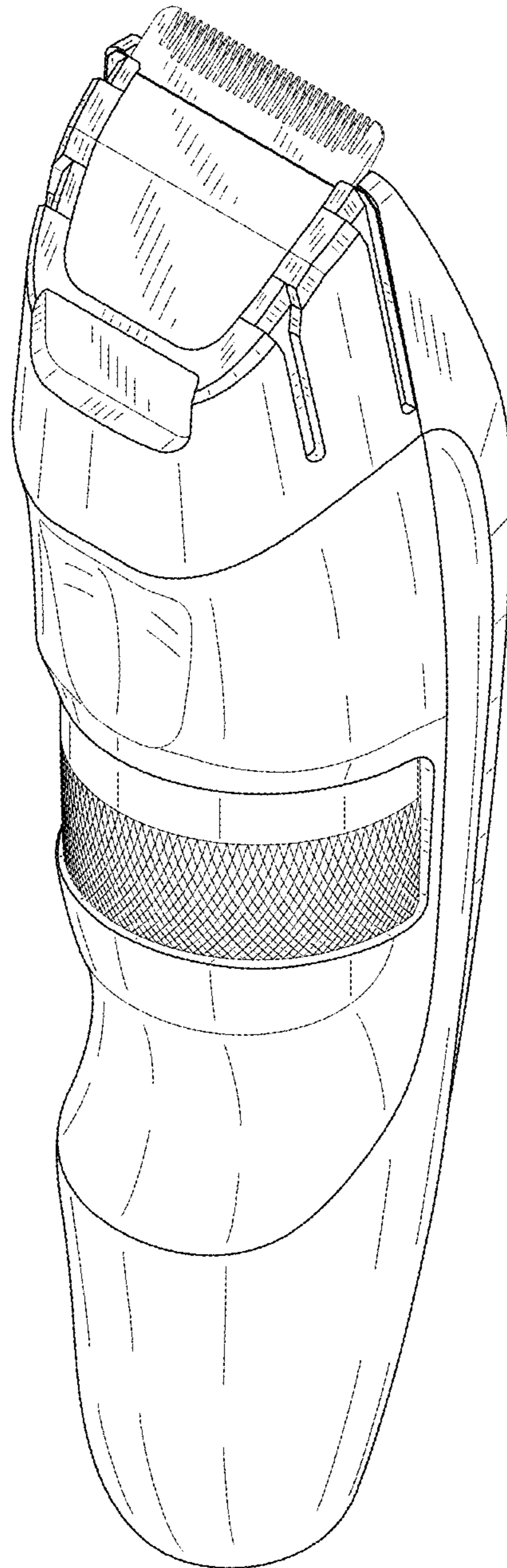


FIG.11

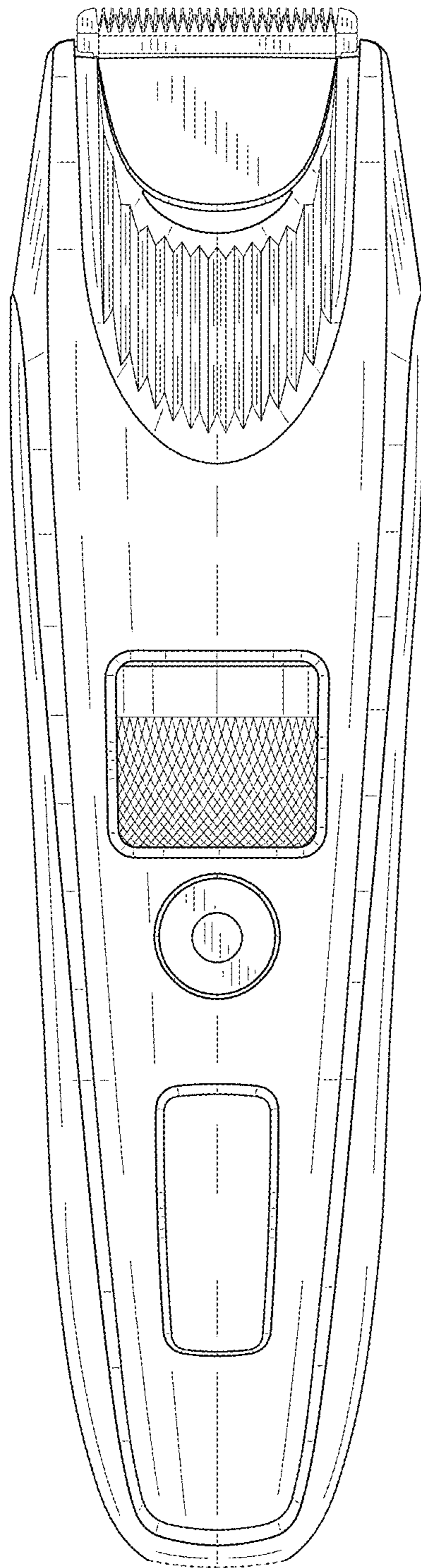


FIG.12

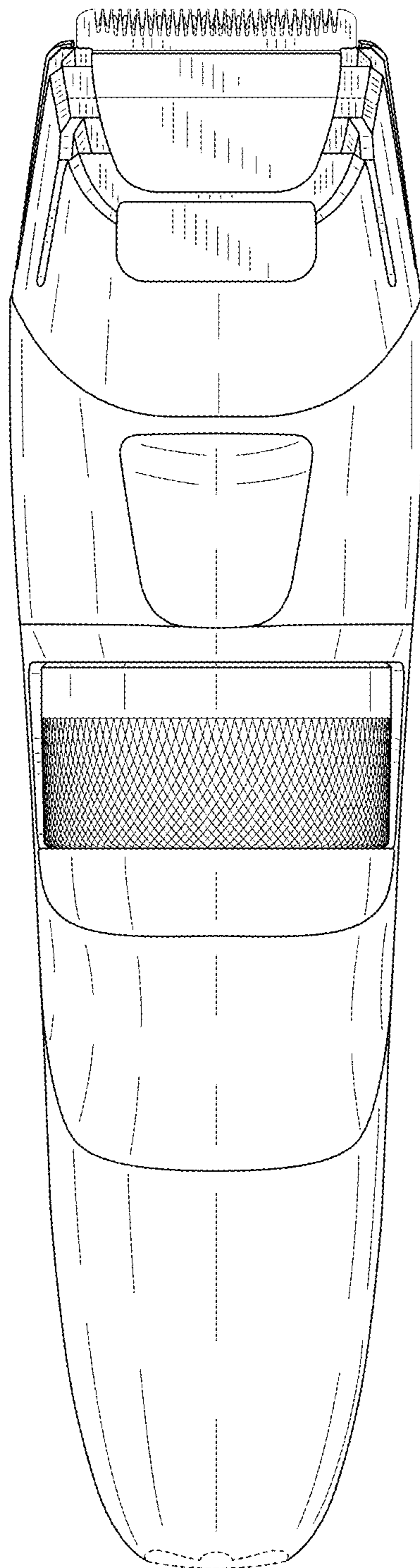


FIG. 13

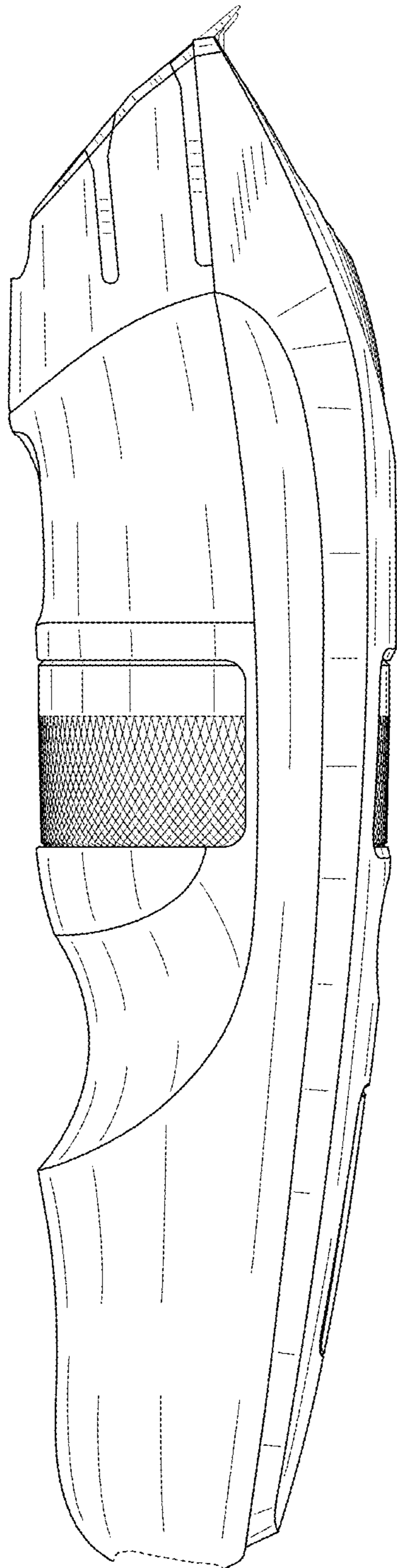


FIG.14

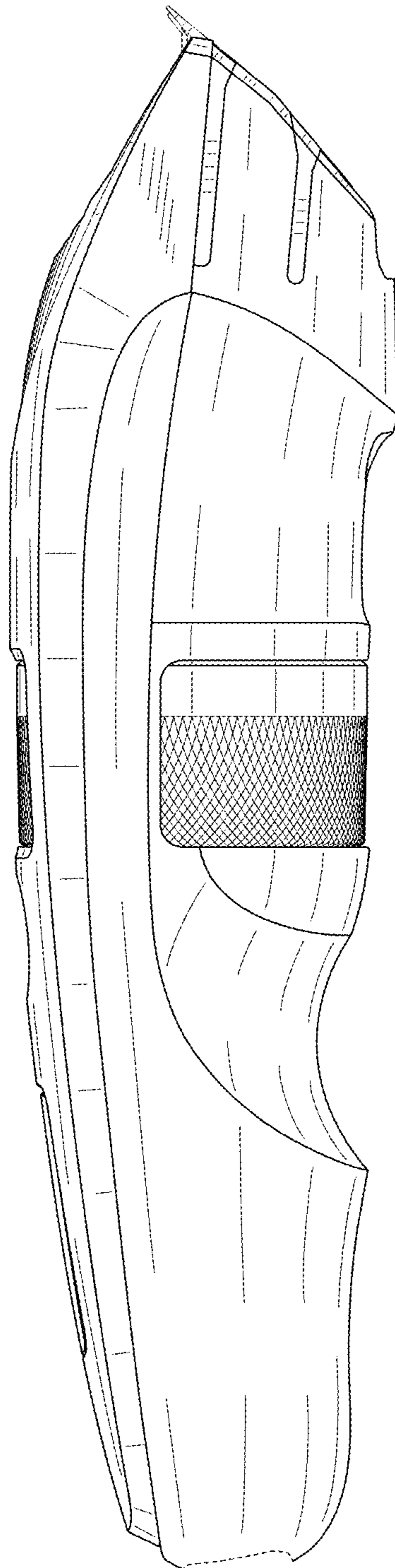


FIG.15

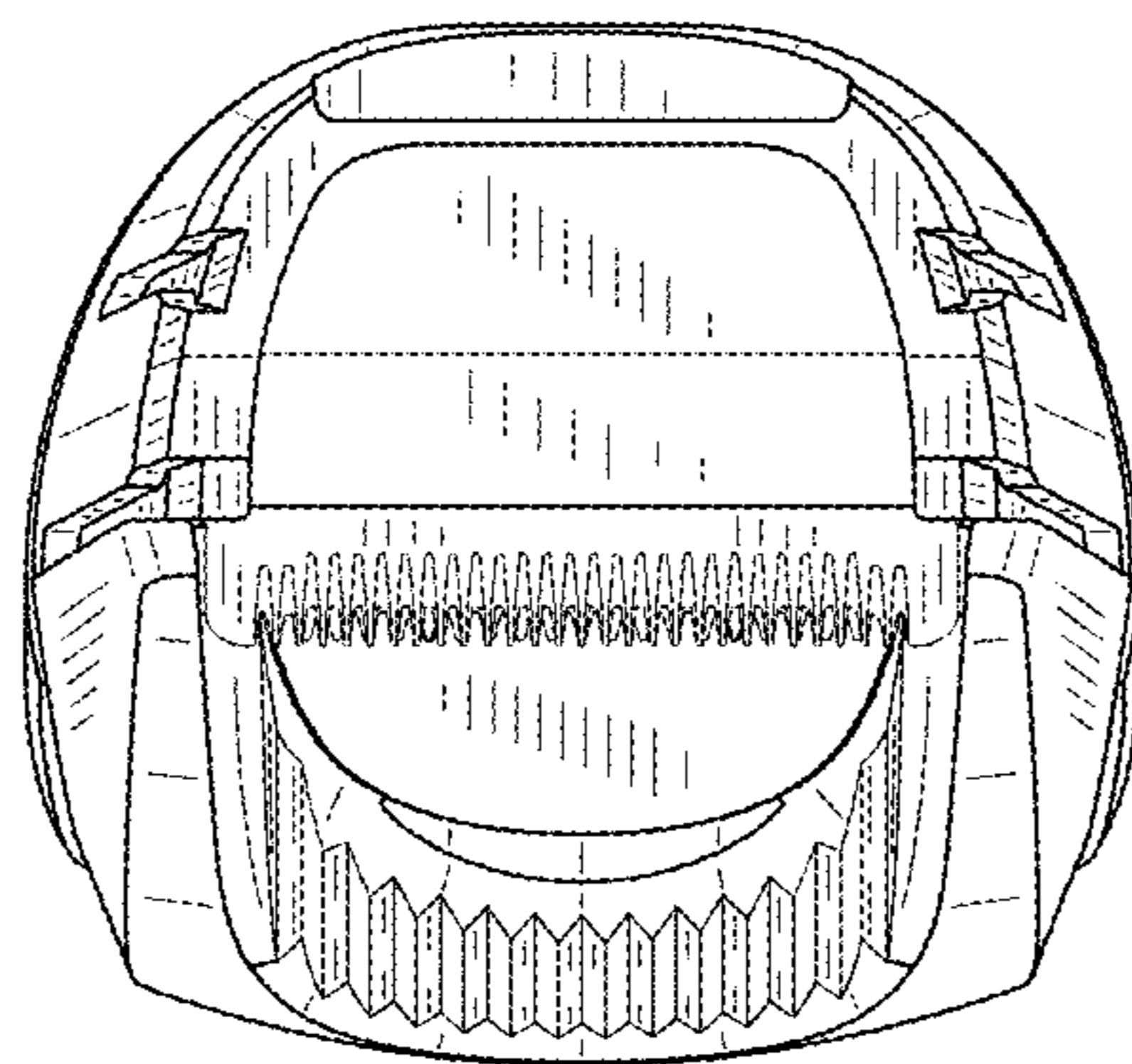


FIG.16

