

US00D824100S

(12) **United States Design Patent**  
**Scott et al.**

(10) **Patent No.:** **US D824,100 S**

(45) **Date of Patent:** **\*\* Jul. 24, 2018**

- (54) **DISPENSER FOR E-LIQUID**
- (71) Applicant: **Nerudia Limited**, Liverpool (GB)
- (72) Inventors: **Kenneth Scott**, Liverpool (GB); **Tom Sudlow**, Liverpool (GB)
- (73) Assignee: **Nerudia Limited**, Liverpool (GB)
- (\*\*) Term: **15 Years**
- (21) Appl. No.: **29/587,643**
- (22) Filed: **Dec. 14, 2016**
- (30) **Foreign Application Priority Data**  
  - Jul. 28, 2016 (EM) ..... 003322932-0001
- (51) **LOC (11) Cl.** ..... **27-06**
- (52) **U.S. Cl.**  
  - USPC ..... **D27/172**
- (58) **Field of Classification Search**  
  - USPC ..... D27/172-194, 100, 139, 141-144,  
D27/162-164, 167, 169; D3/203.1;  
D7/300.1, 510, 51; D9/686, 724, 432;  
141/18, 21, 29, 2-5
  - CPC ... B67D 99/00; B65D 85/1045; A24F 47/008;  
A24F 47/002; A24F 47/00; A61M 16/10;  
A61M 16/108

See application file for complete search history.

D649,708 S *	11/2011	Oneil	.....	D27/163
D691,420 S *	10/2013	McIntire	.....	D7/510
D745,213 S *	12/2015	Alima	.....	D27/143
D753,336 S *	4/2016	Chen	.....	D27/101
D771,309 S *	11/2016	Ward	.....	D27/167
D771,867 S *	11/2016	Leidel	.....	D27/163
D773,114 S *	11/2016	Leidel	.....	D27/163
D775,762 S *	1/2017	Chen	.....	D27/101
D793,005 S *	7/2017	Scott	.....	D27/189
D799,746 S *	10/2017	Leidel	.....	D27/163

\* cited by examiner

*Primary Examiner* — Susan B Hattan  
*Assistant Examiner* — Rebecca Tsehaye  
(74) *Attorney, Agent, or Firm* — McDonnell Boehnen  
Hulbert & Berghoff LLP

(57) **CLAIM**

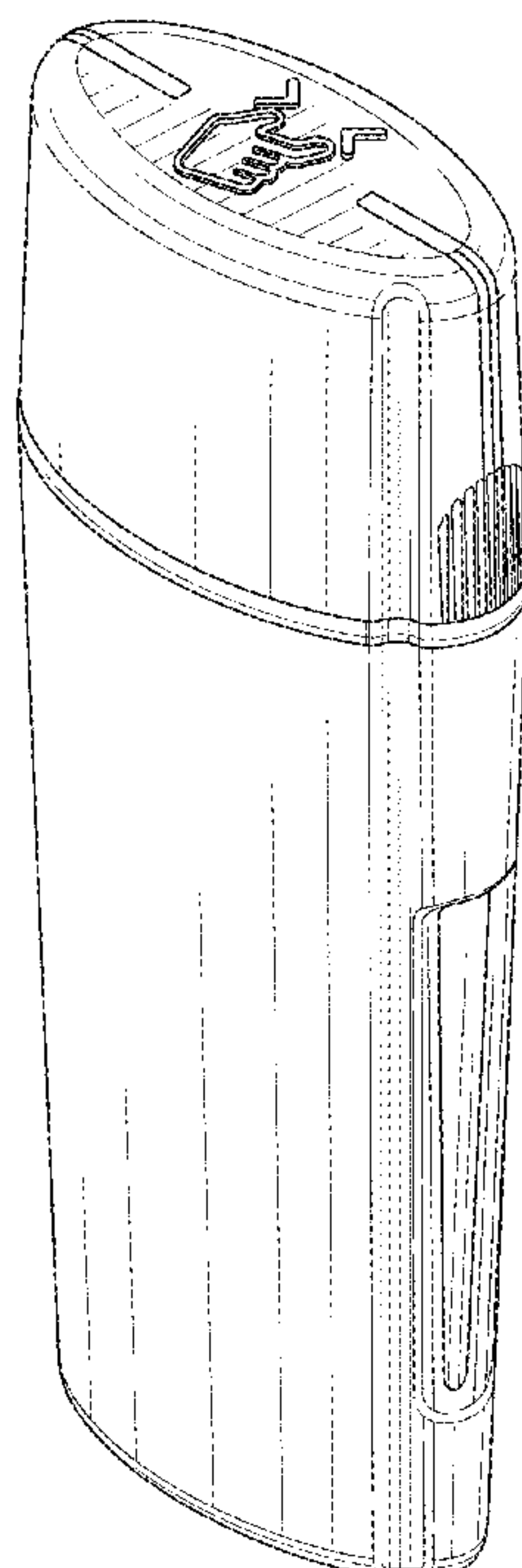
The ornamental design for a dispenser for e-liquid, as shown and described.

**DESCRIPTION**

FIG. 1 is a perspective view of a dispenser for e-liquid of the present design;  
FIG. 2 is a right side view thereof;  
FIG. 3 is a left side view thereof;  
FIG. 4 is a front view thereof;  
FIG. 5 is a rear view thereof;  
FIG. 6 is top view thereof; and,  
FIG. 7 is bottom view thereof.  
The broken lines in the drawings depict portions of the dispenser for e-liquid that form no part of the claimed design.

**1 Claim, 7 Drawing Sheets**

- (56) **References Cited**  
  - U.S. PATENT DOCUMENTS
  - D346,878 S \* 5/1994 Gee ..... D27/194
  - 5,934,289 A \* 8/1999 Watkins ..... A24F 47/008
  - 128/202.21



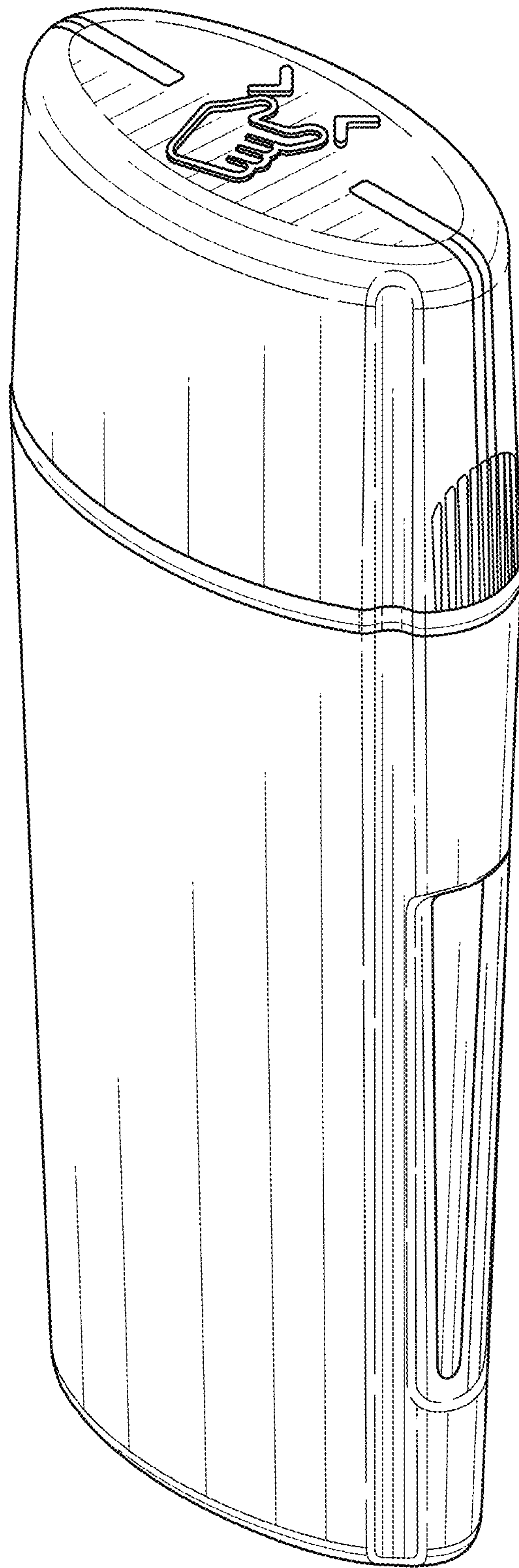


FIG. 1

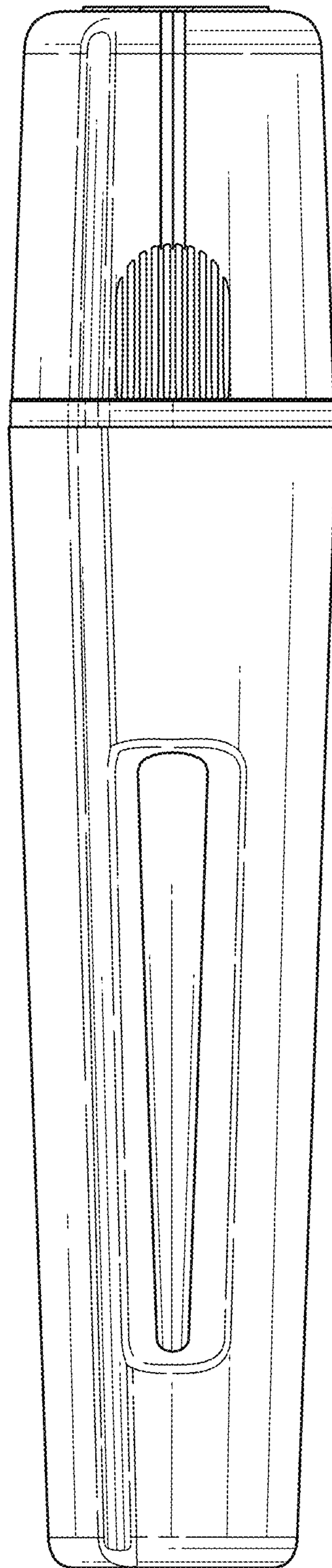


FIG. 2

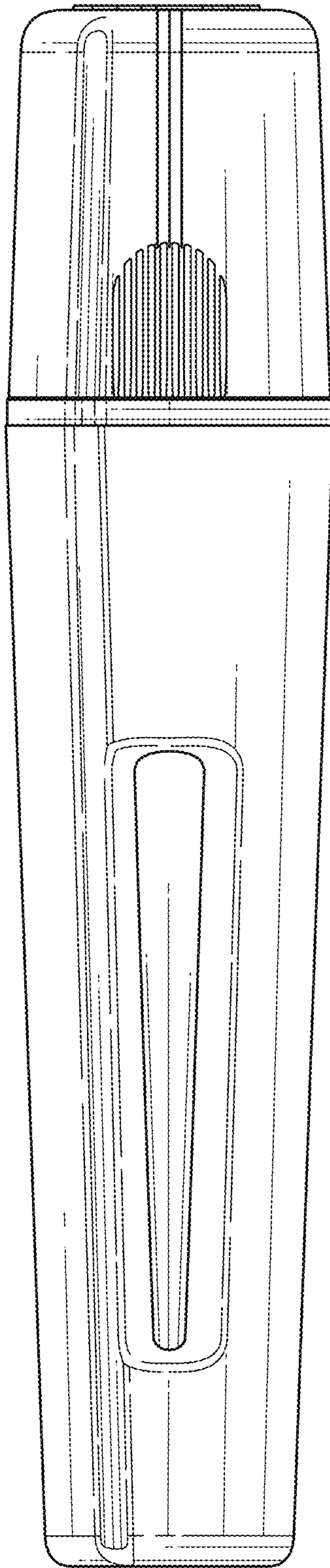


FIG. 3

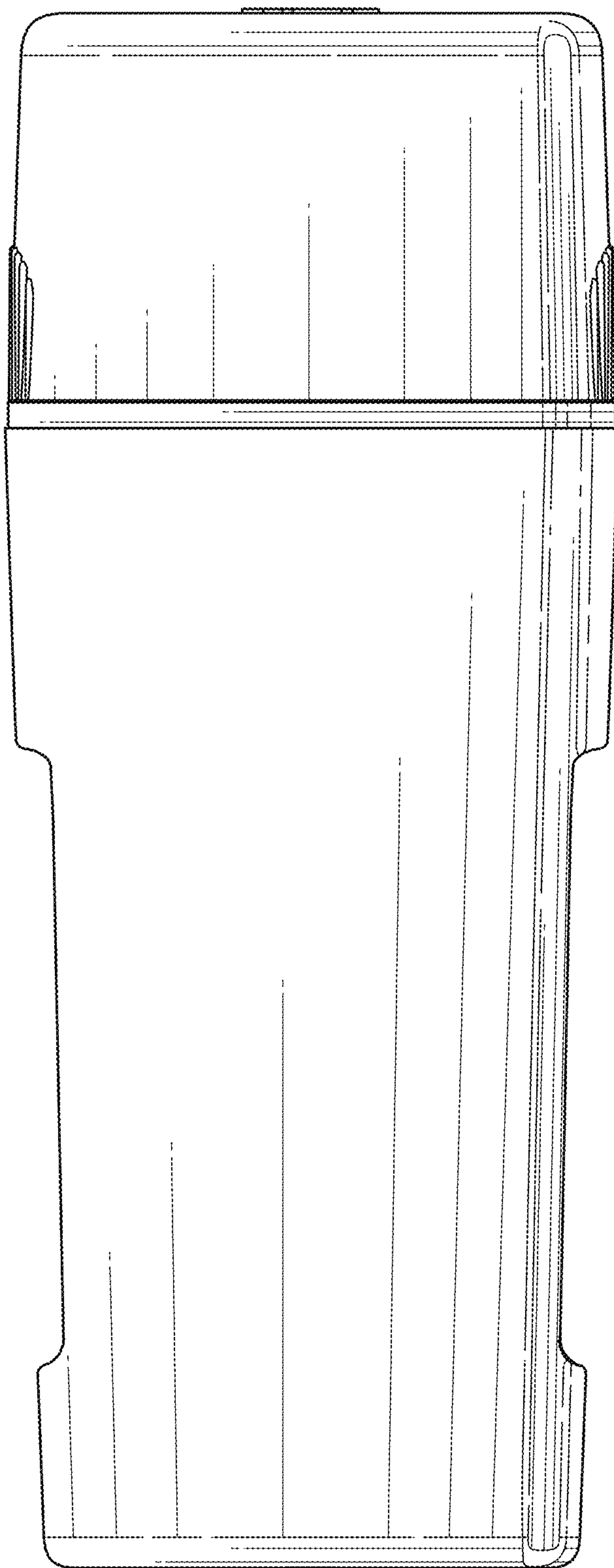


FIG. 4



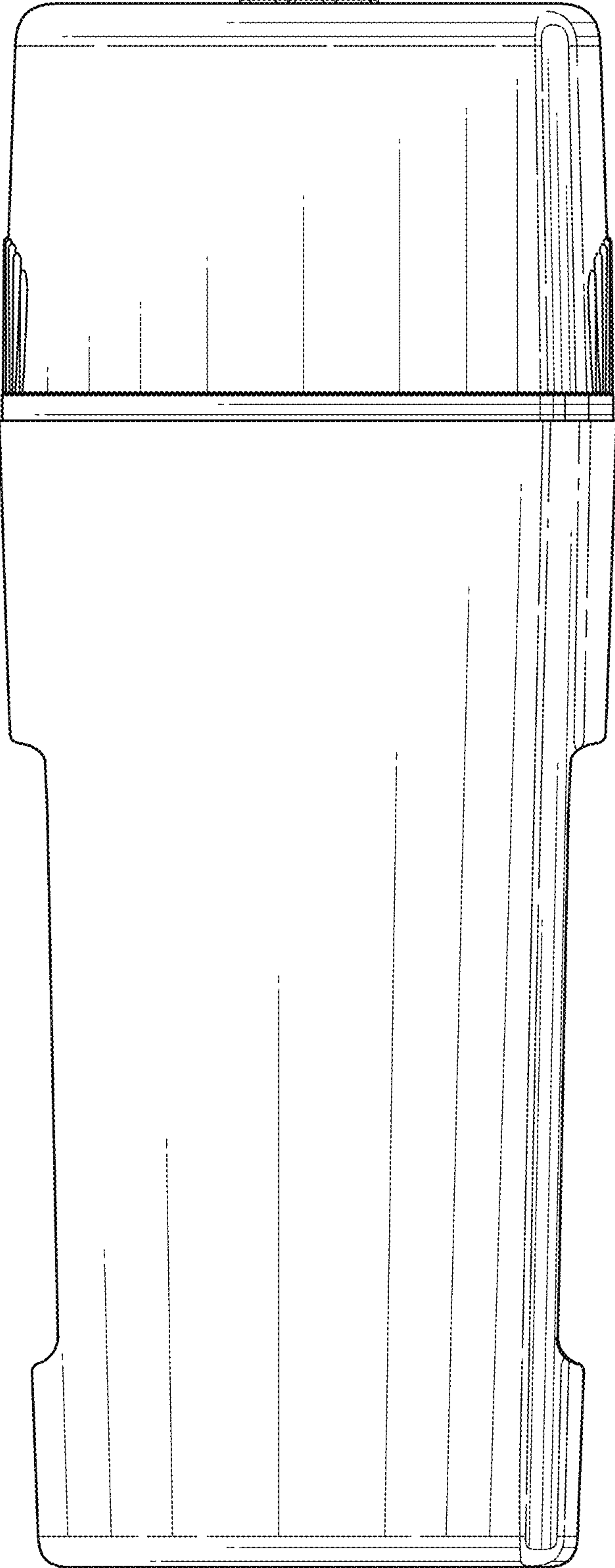


FIG. 5

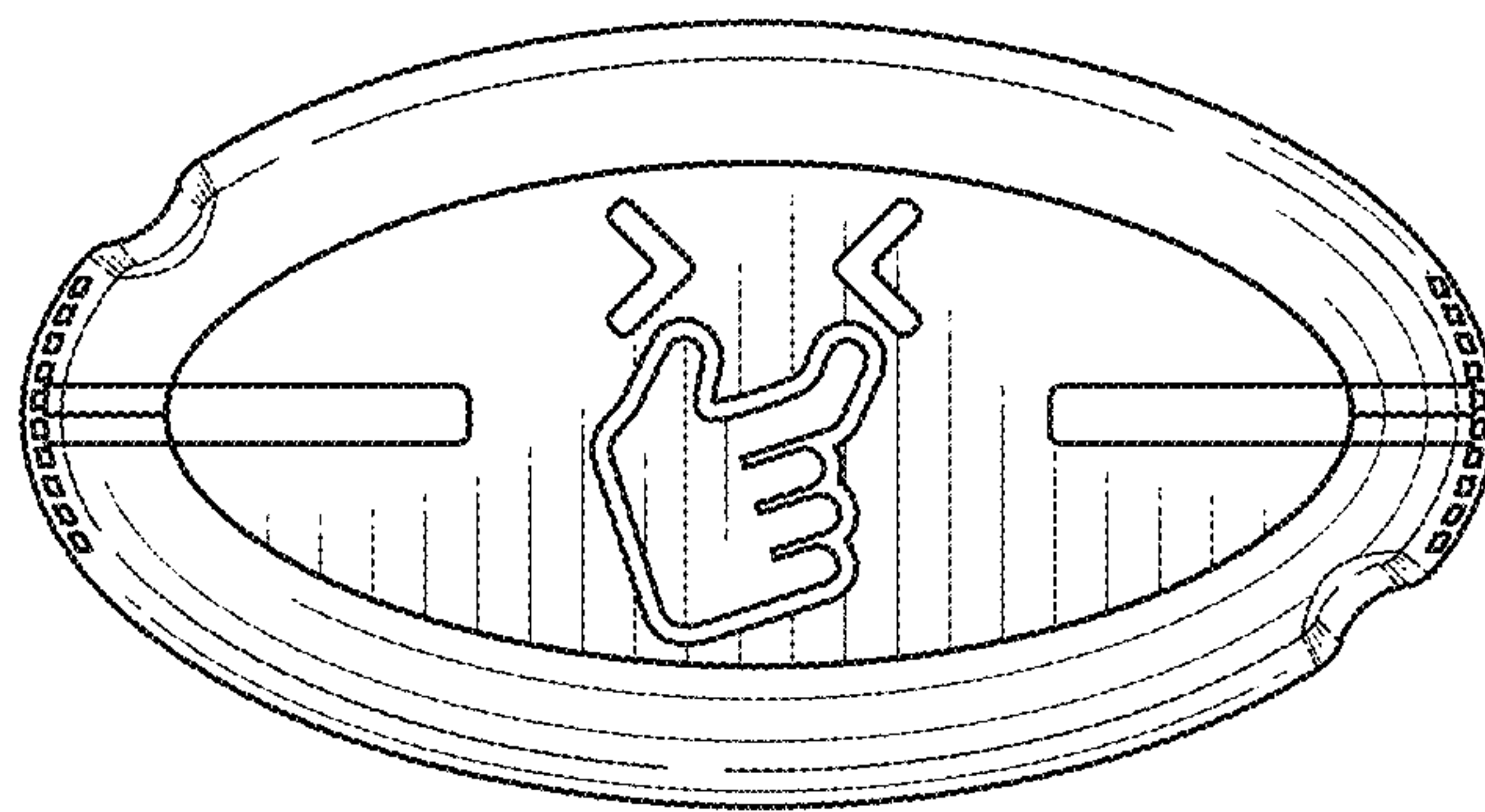


FIG. 6

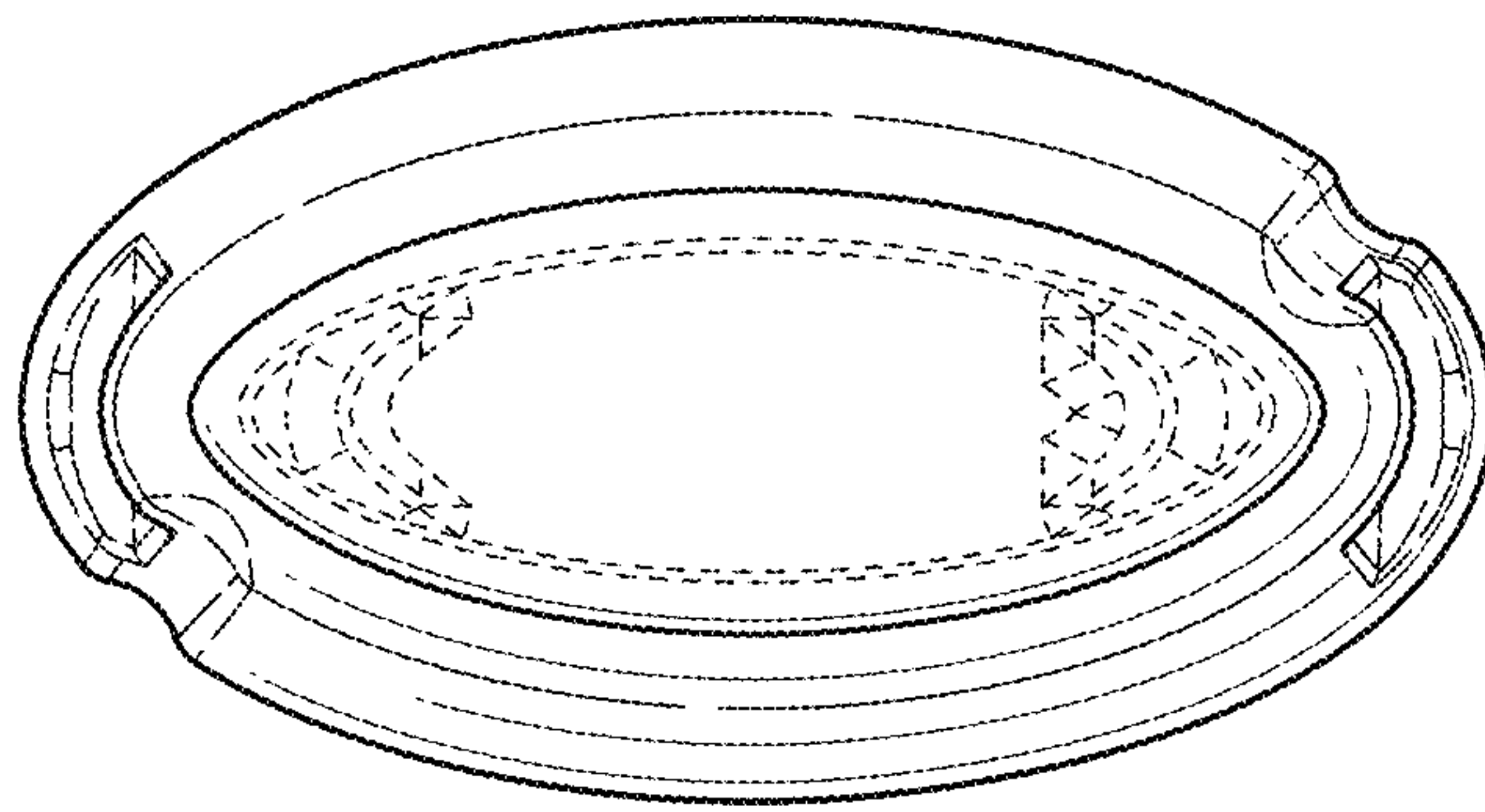


FIG. 7