



US00D824099S

(12) **United States Design Patent** (10) **Patent No.:** **US D824,099 S**
Scott et al. (45) **Date of Patent:** **** Jul. 24, 2018**

(54) **DISPENSER FOR E-LIQUID**
(71) Applicant: **Nerudia Limited**, Liverpool (GB)
(72) Inventors: **Kenneth Scott**, Liverpool (GB); **Tom Sudlow**, Liverpool (GB)
(73) Assignee: **Nerudia Limited**, Liverpool (GB)
(**) Term: **15 Years**
(21) Appl. No.: **29/587,638**
(22) Filed: **Dec. 14, 2016**
(30) **Foreign Application Priority Data**
Jul. 28, 2016 (EM) 003322924-0001
(51) **LOC (11) Cl.** **27-06**
(52) **U.S. Cl.**
USPC **D27/172**
(58) **Field of Classification Search**
USPC D27/172-194, 100, 139, 141-144,
D27/162-164, 167, 169; D3/203.1;
D7/300.1, 510, 51; D9/686, 724, 432;
141/18, 21, 29, 2-5
CPC ... B67D 99/00; B65D 88/1045; A24F 47/008;
A24F 47/002; A24F 47/00; A61M 16/10;
A61M 16/108
See application file for complete search history.

(56) **References Cited**
U.S. PATENT DOCUMENTS
D346,878 S * 5/1994 Gee D27/194
5,934,289 A * 8/1999 Watkins A24F 47/008
128/202.21

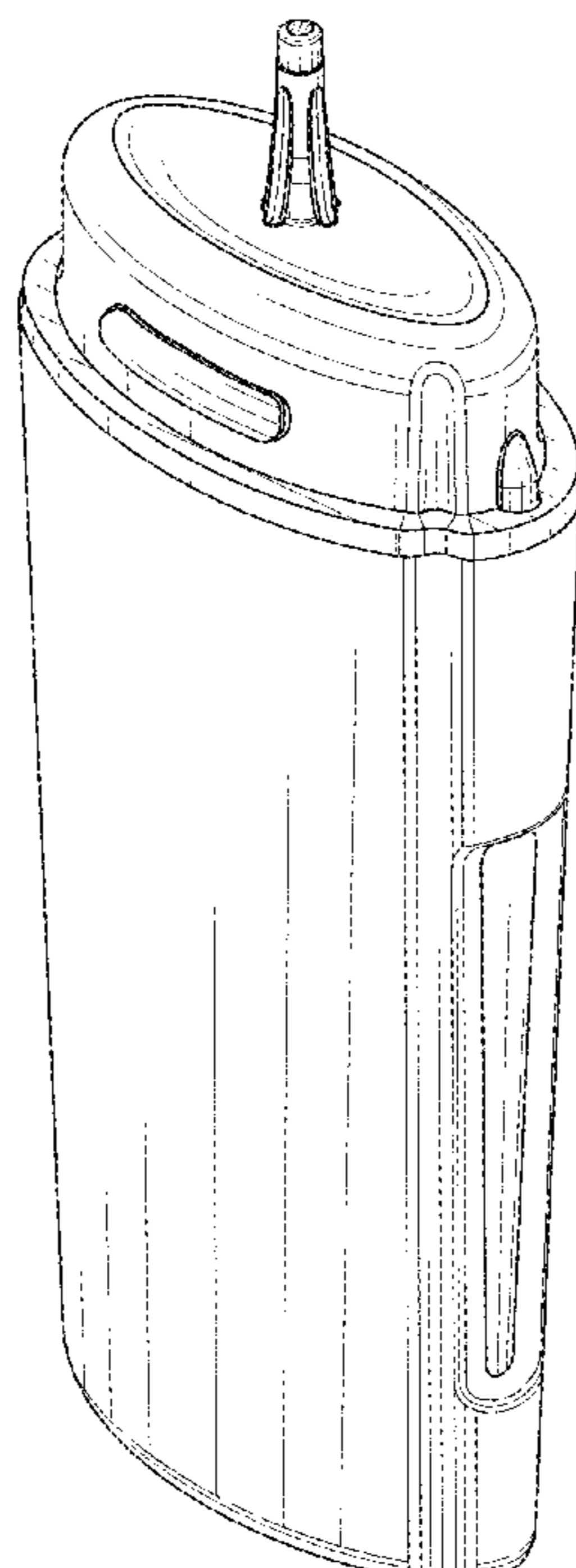
D649,708 S * 11/2011 Oneil D27/163
D691,420 S * 10/2013 McIntire D7/510
D745,213 S * 12/2015 Alima D27/143
D753,336 S * 4/2016 Chen D27/101
D771,309 S * 11/2016 Ward D27/167
D771,867 S * 11/2016 Leidel D27/163
D773,114 S * 11/2016 Leidel D27/163
D775,762 S * 1/2017 Chen D27/101
D793,005 S * 7/2017 Scott D27/189
D799,746 S * 10/2017 Leidel D27/163

* cited by examiner
Primary Examiner — Susan B Hattan
Assistant Examiner — Rebecca Tsehaye
(74) *Attorney, Agent, or Firm* — McDonnell Boehnen
Hulbert & Berghoff LLP

(57) **CLAIM**
The ornamental design for a dispenser for e-liquid, as shown
and described.

DESCRIPTION
FIG. 1 is a perspective view of a dispenser for e-liquid of the
present design;
FIG. 2 is a right side view thereof;
FIG. 3 is a left side view thereof;
FIG. 4 is a front view thereof;
FIG. 5 is a rear view thereof;
FIG. 6 is top view thereof; and,
FIG. 7 is bottom view thereof.
The broken lines in the drawings depict portions of the
dispenser for e-liquid that form no part of the claimed
design.

1 Claim, 7 Drawing Sheets



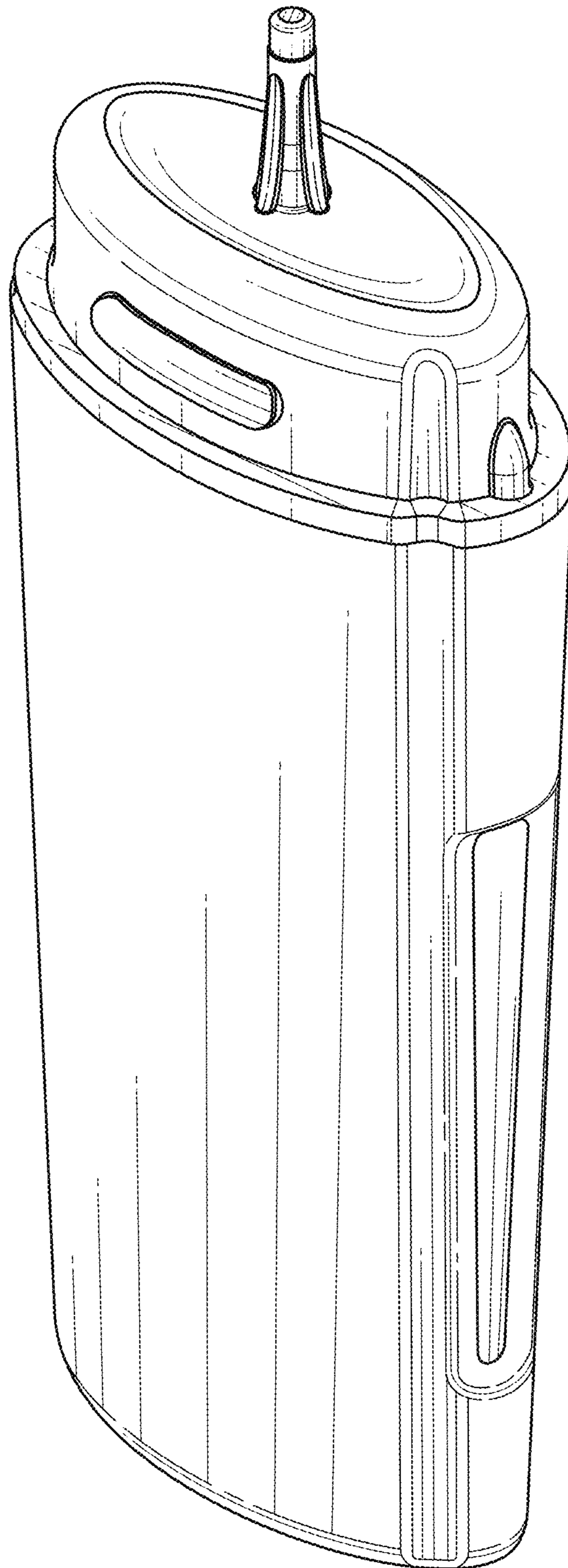


FIG. 1

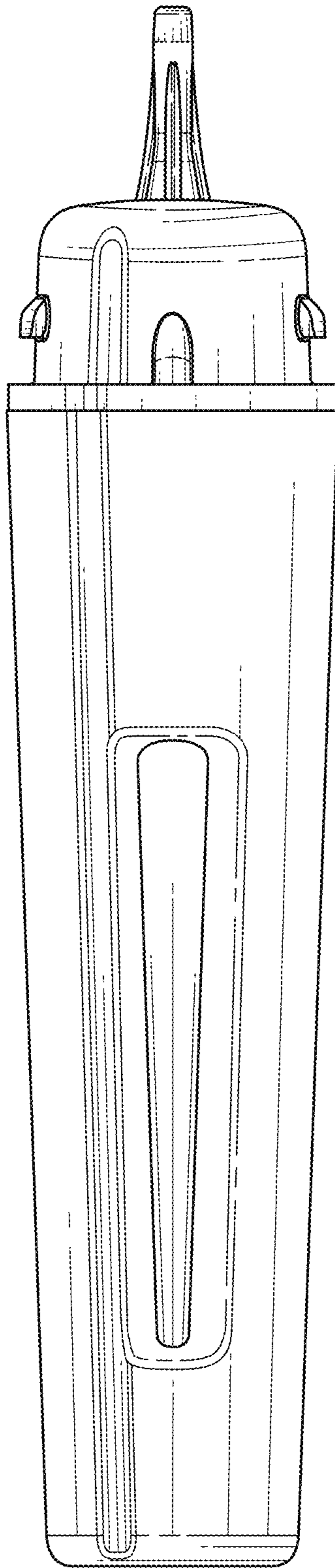


FIG. 2

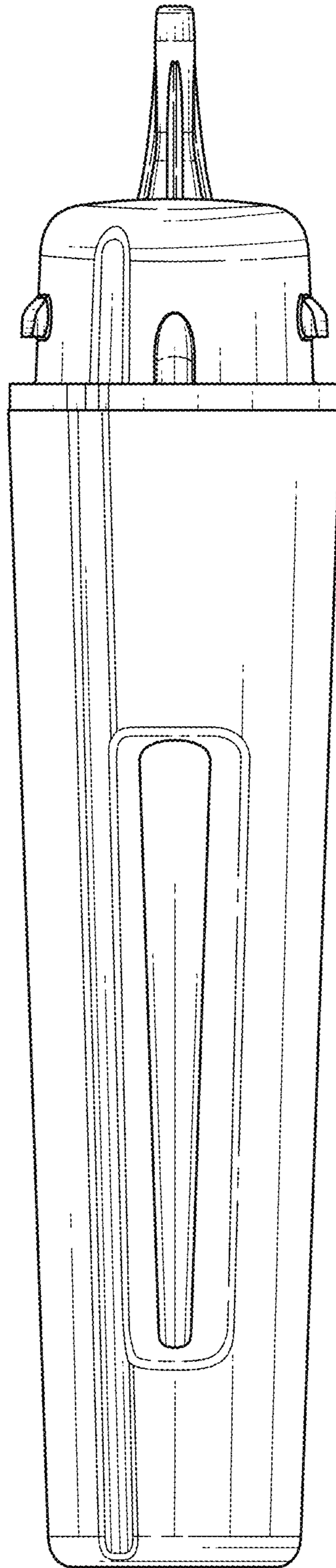


FIG. 3

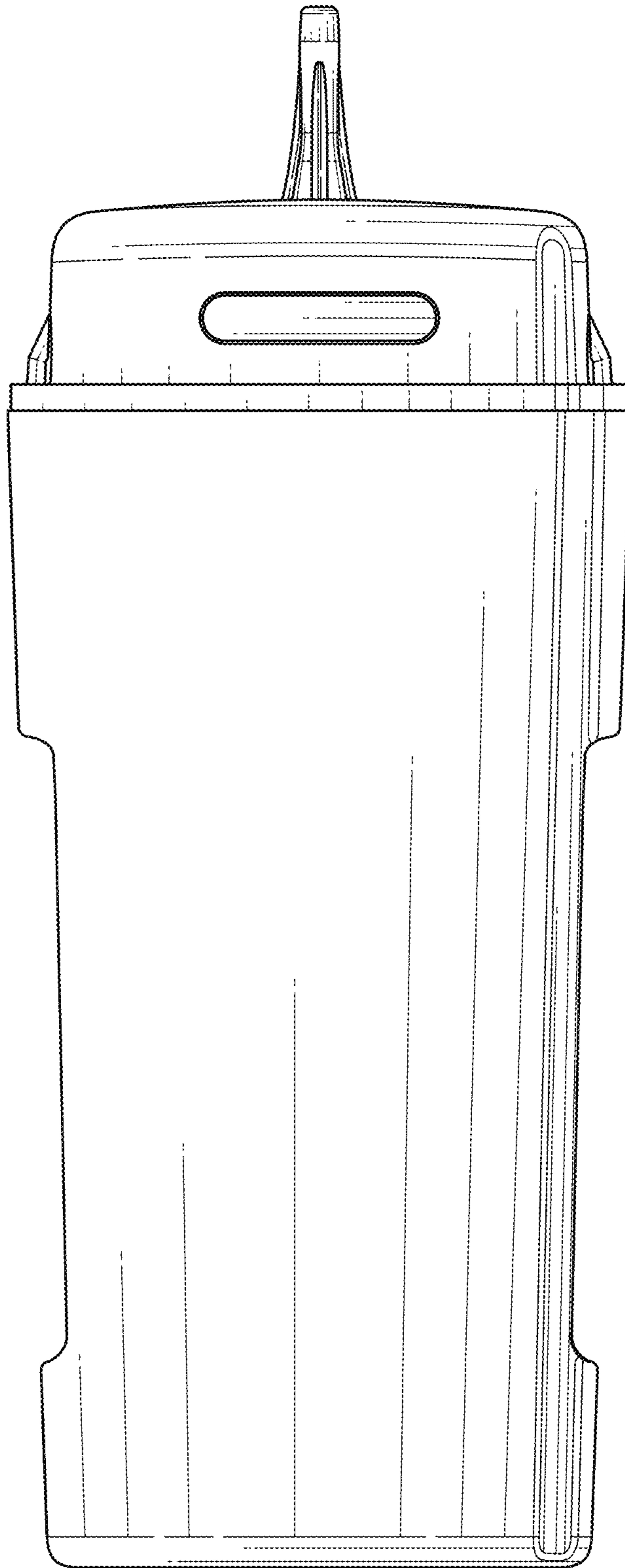


FIG. 4

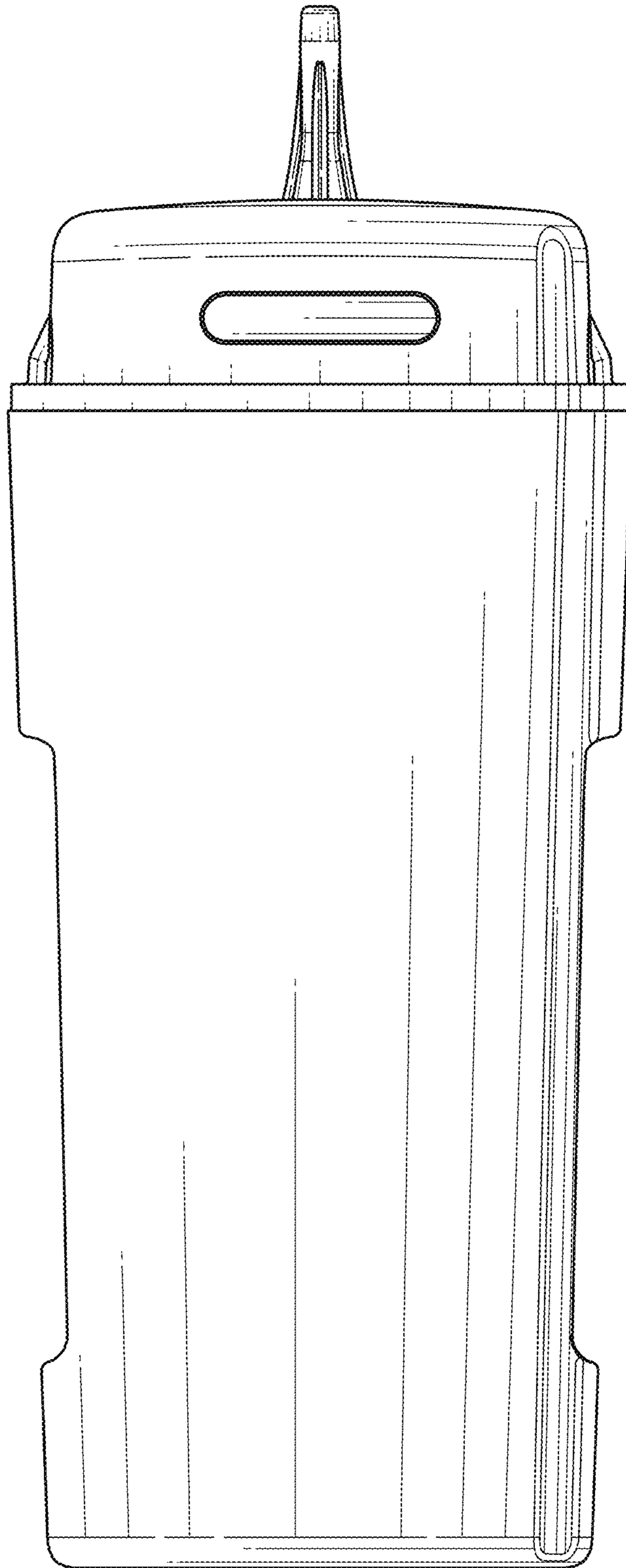


FIG. 5

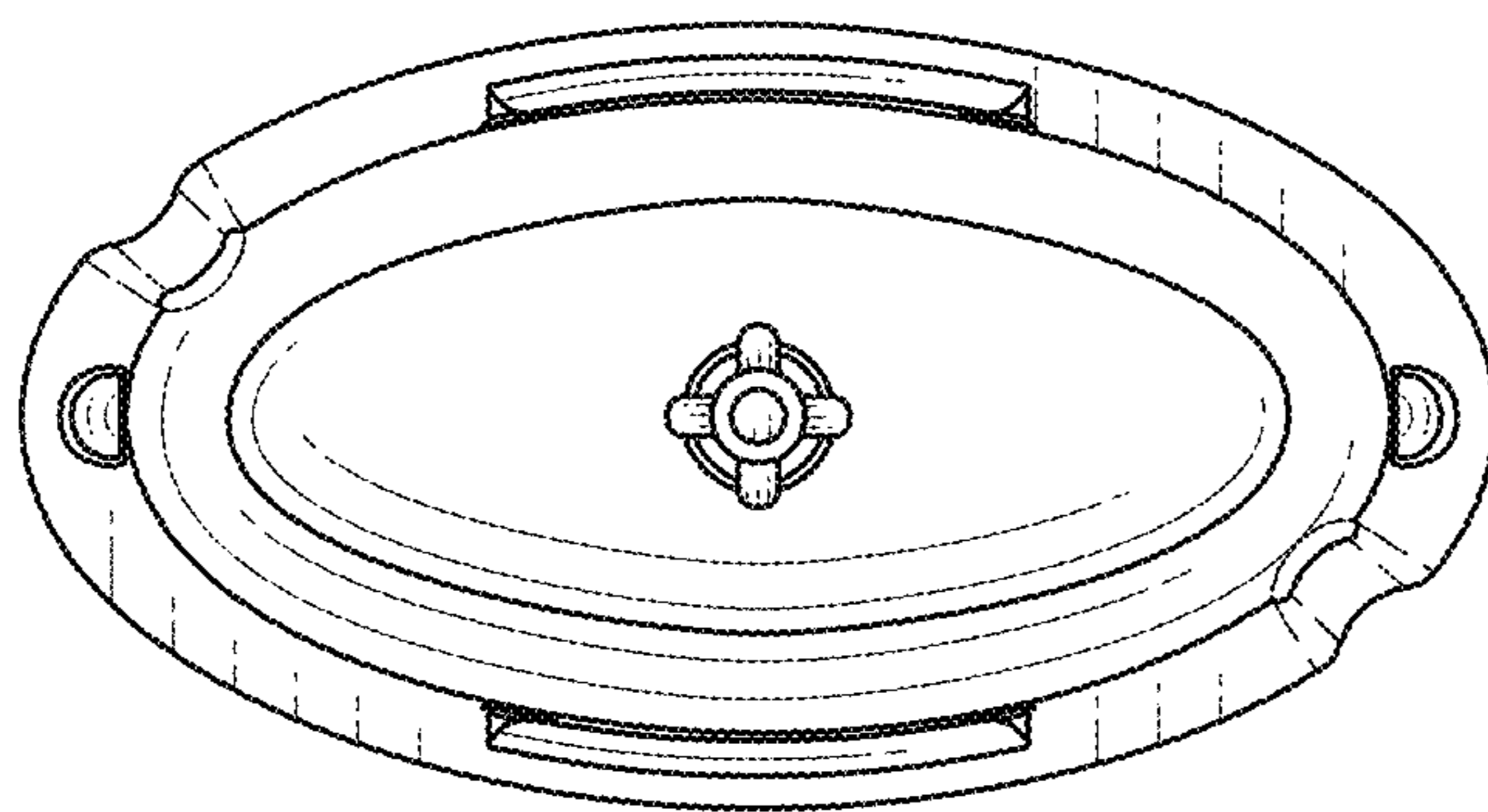


FIG. 6

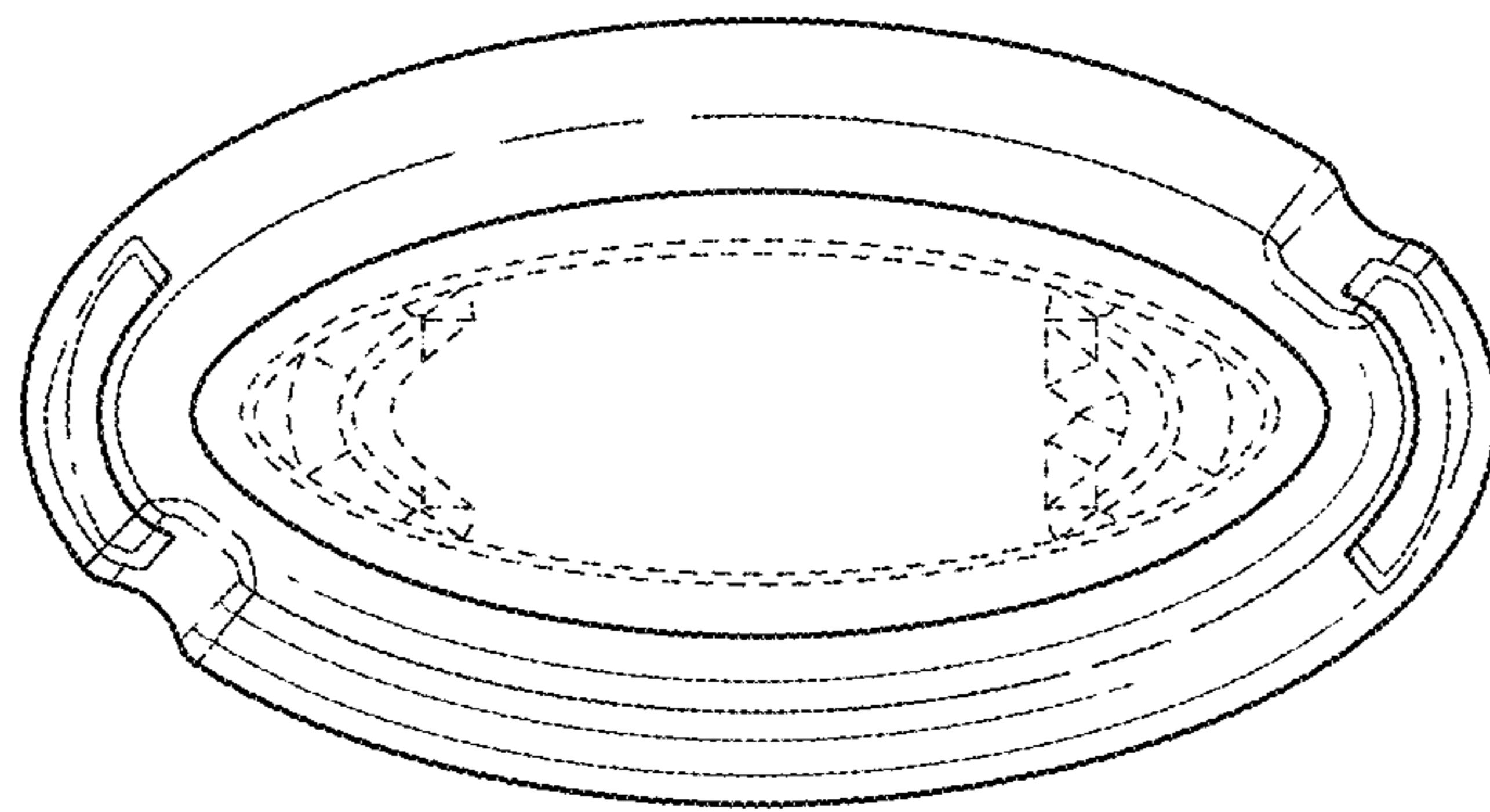


FIG. 7