



US00D824096S

(12) **United States Design Patent** (10) **Patent No.:** **US D824,096 S**
Qiu (45) **Date of Patent:** **** Jul. 24, 2018**

(54) **CARTOMIZER**

(71) Applicant: **Changzhou Patent Electronic Technology Co., LTD**, Changzhou, Jiangsu (CN)

(72) Inventor: **Weihua Qiu**, Jiangsu (CN)

(73) Assignee: **CHANGZHOU PATENT ELECTRONIC TECHNOLOGY CO., LTD**, Changzhou, Jiangsu (CN)

(**) Term: **15 Years**

(21) Appl. No.: **29/615,003**

(22) Filed: **Aug. 24, 2017**

(30) **Foreign Application Priority Data**

Jun. 9, 2017 (CN) 2017 3 0234509

(51) **LOC (11) Cl.** **27-02**

(52) **U.S. Cl.**
USPC **D27/167**

(58) **Field of Classification Search**

USPC D27/101, 100, 106, 108, 163, 165-169, D27/172, 174, 175, 183, 186-190, 193, D27/195; D24/110; 131/273, 274, 191, 131/330, 329

CPC A24F 9/00; A24F 47/002; A24F 47/004; A24F 47/006; A24F 47/008; A61M 15/06
See application file for complete search history.

(56) **References Cited**

U.S. PATENT DOCUMENTS

D583,096 S * 12/2008 Conti D27/189
D591,899 S * 5/2009 Bray D27/189

D634,892 S * 3/2011 Hein D27/189
D706,976 S * 6/2014 Wu D27/189
D752,285 S * 3/2016 Doster D27/189
D752,286 S * 3/2016 Doster D27/189
D770,678 S * 11/2016 Shin D27/163
D772,477 S * 11/2016 Shin D27/163
D772,480 S * 11/2016 Hua D27/189
D776,051 S * 1/2017 Wang D13/103
D804,717 S * 12/2017 Wang D27/101

* cited by examiner

Primary Examiner — Susan B Hattan

Assistant Examiner — Rebecca Tsehaye

(74) *Attorney, Agent, or Firm* — Novick, Kim & Lee, PLLC; Allen Xue; Hyun Woo Shin

(57) **CLAIM**

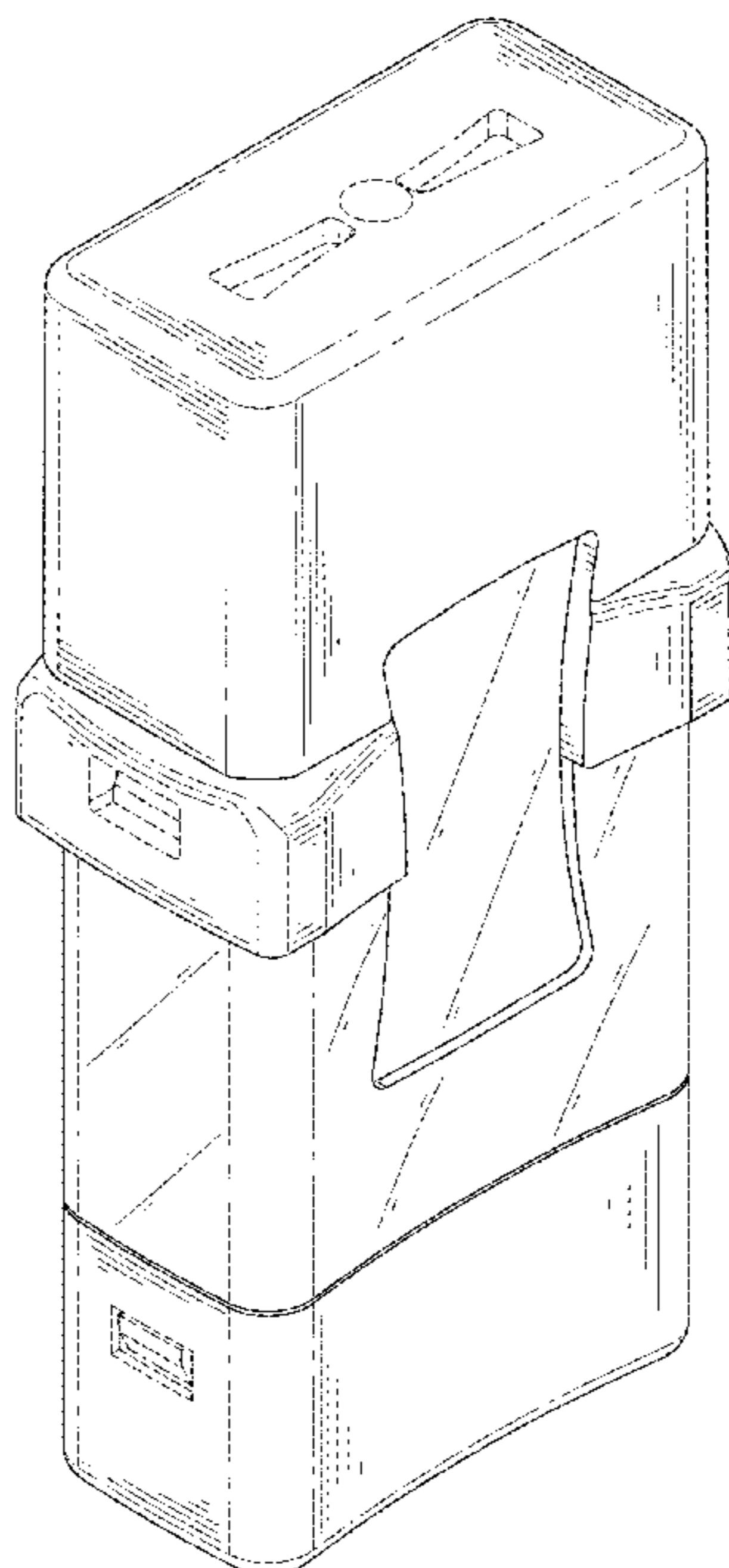
I claim the ornamental design for a cartomizer, as shown and described.

DESCRIPTION

FIG. 1 is a top, front, left side perspective view of a cartomizer, showing my new design;
FIG. 2 is a bottom, rear, right side perspective view thereof;
FIG. 3 is a front elevational view thereof;
FIG. 4 is a rear elevational view thereof;
FIG. 5 is a left side elevational view thereof;
FIG. 6 is a right side elevational view thereof;
FIG. 7 is a top plan view thereof; and,
FIG. 8 is a bottom plan view thereof.

The broken lines in the drawings show portions of the cartomizer which form no part of the claimed design.

1 Claim, 8 Drawing Sheets



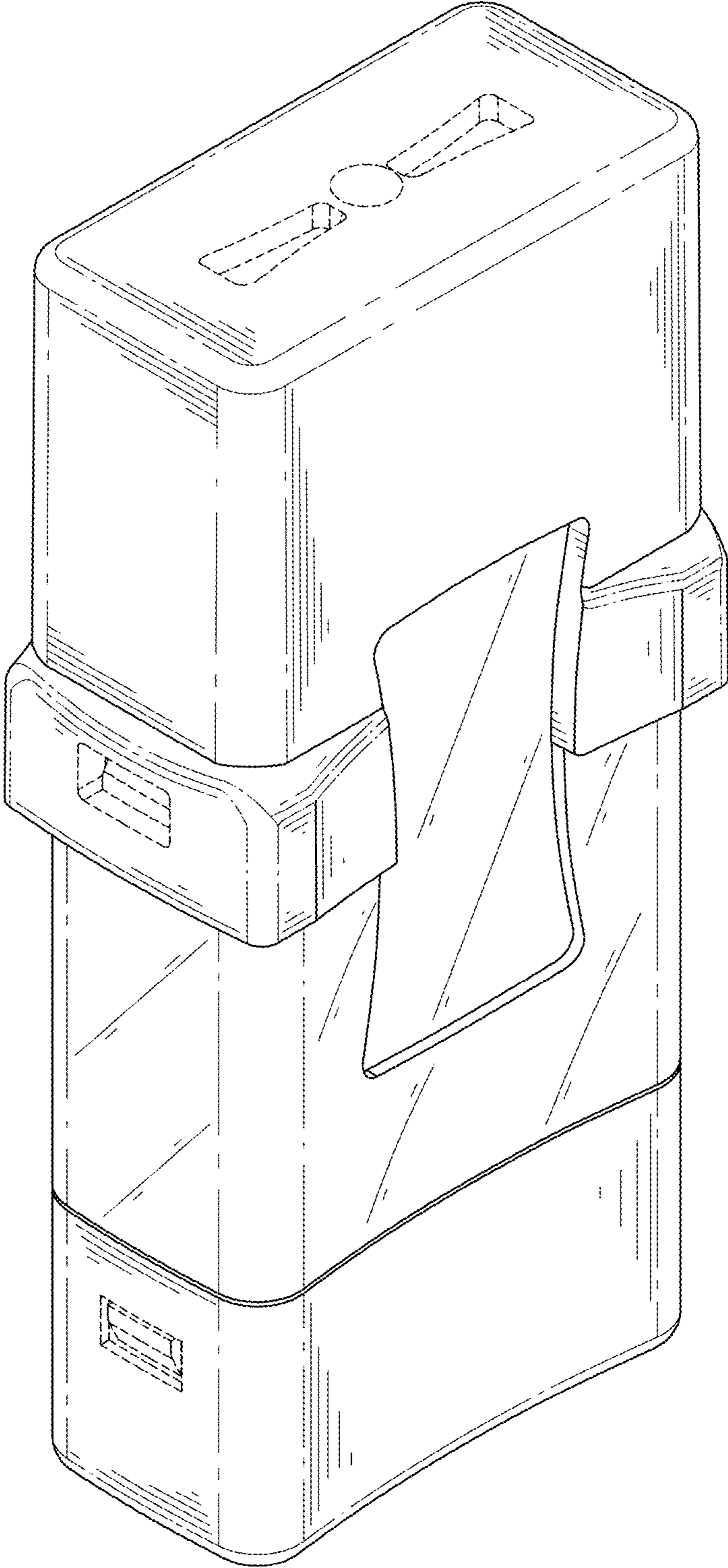


FIG. 1

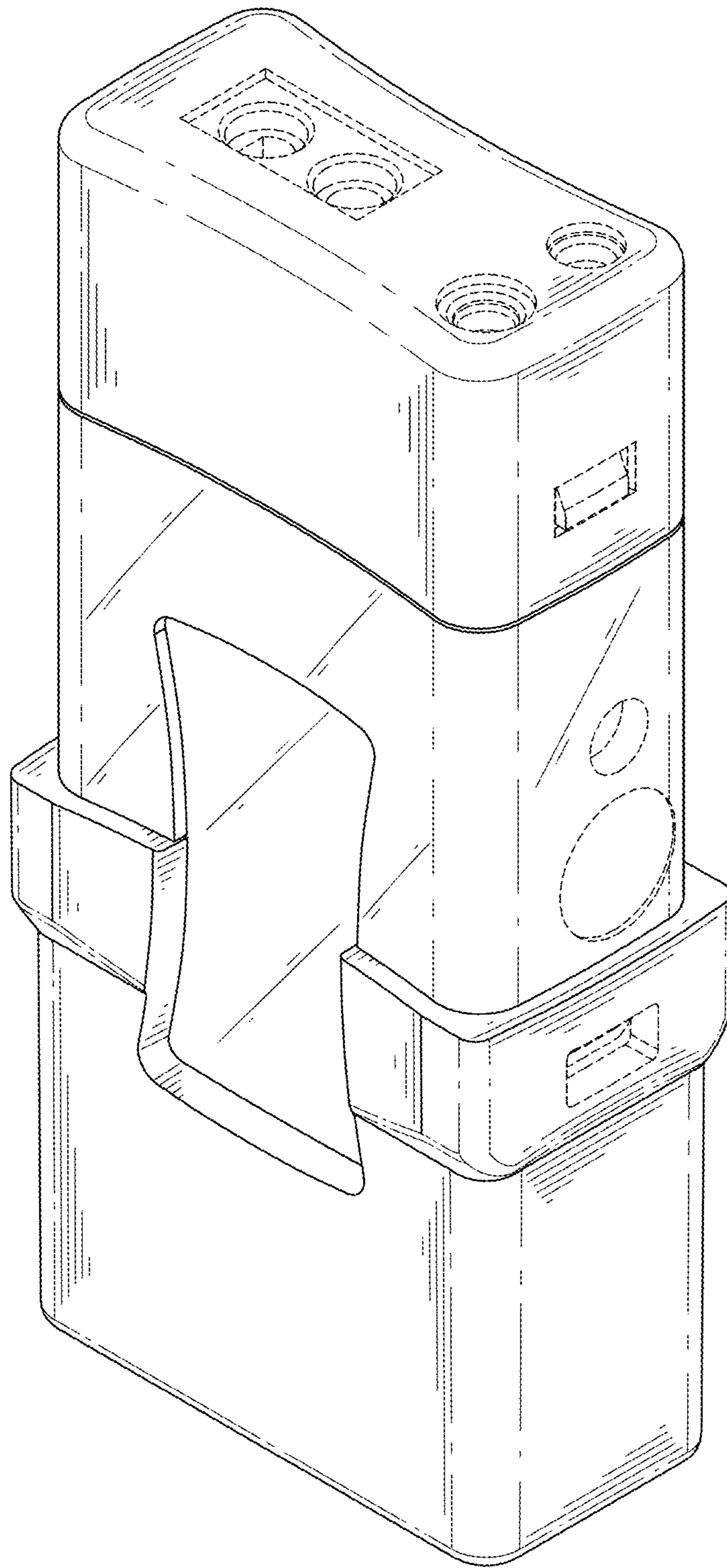


FIG. 2

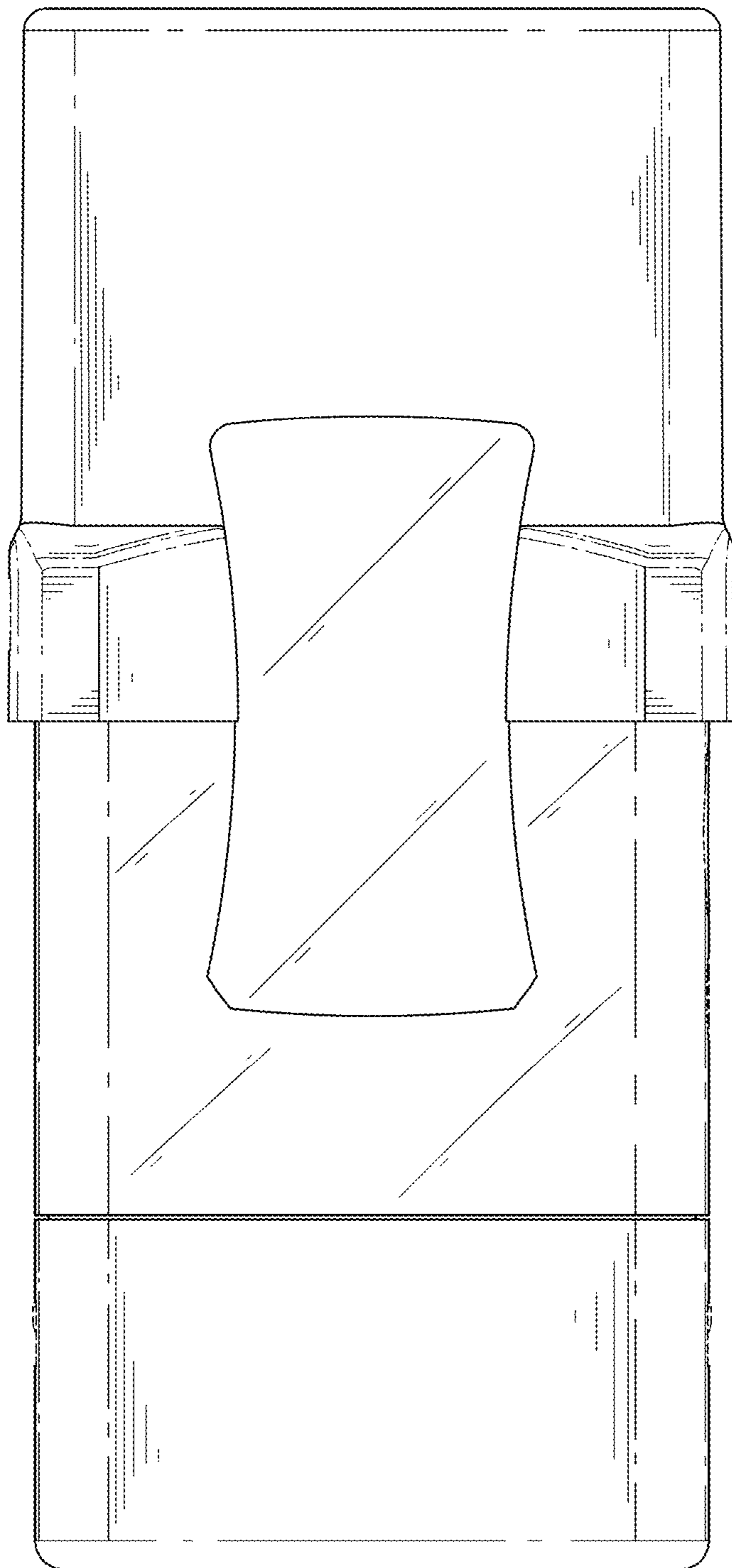


FIG. 3

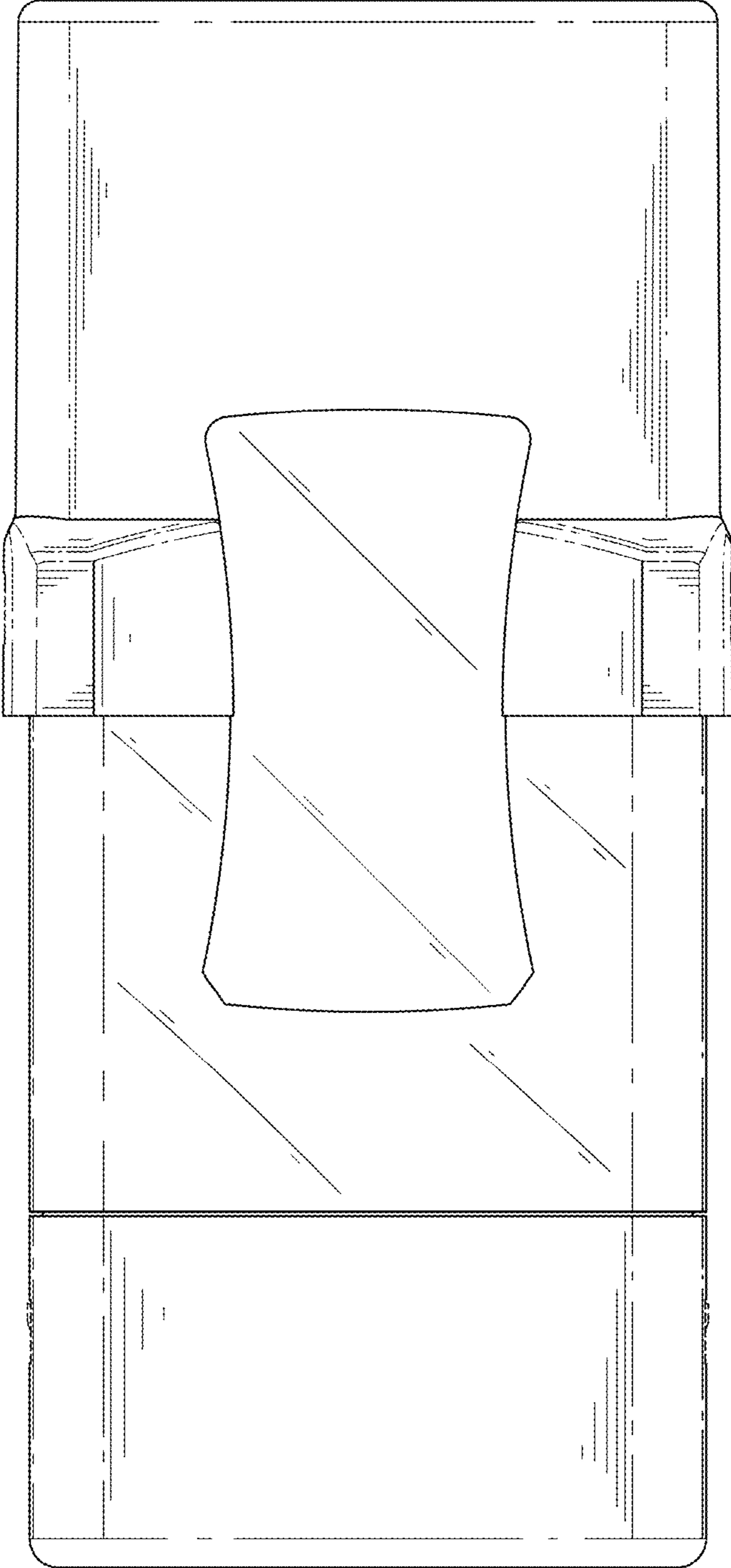


FIG. 4

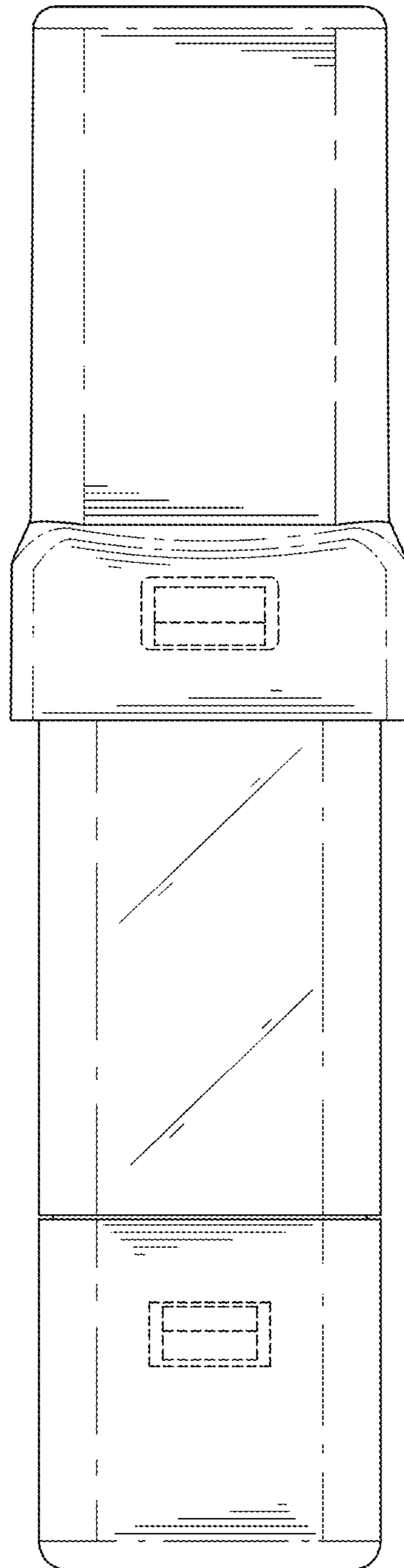


FIG. 5

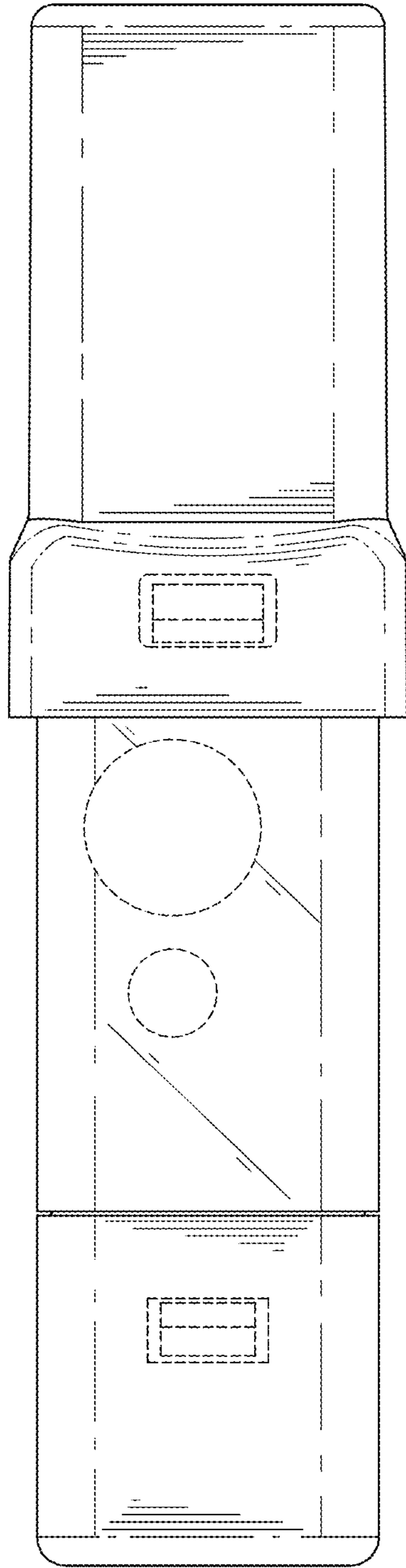


FIG. 6

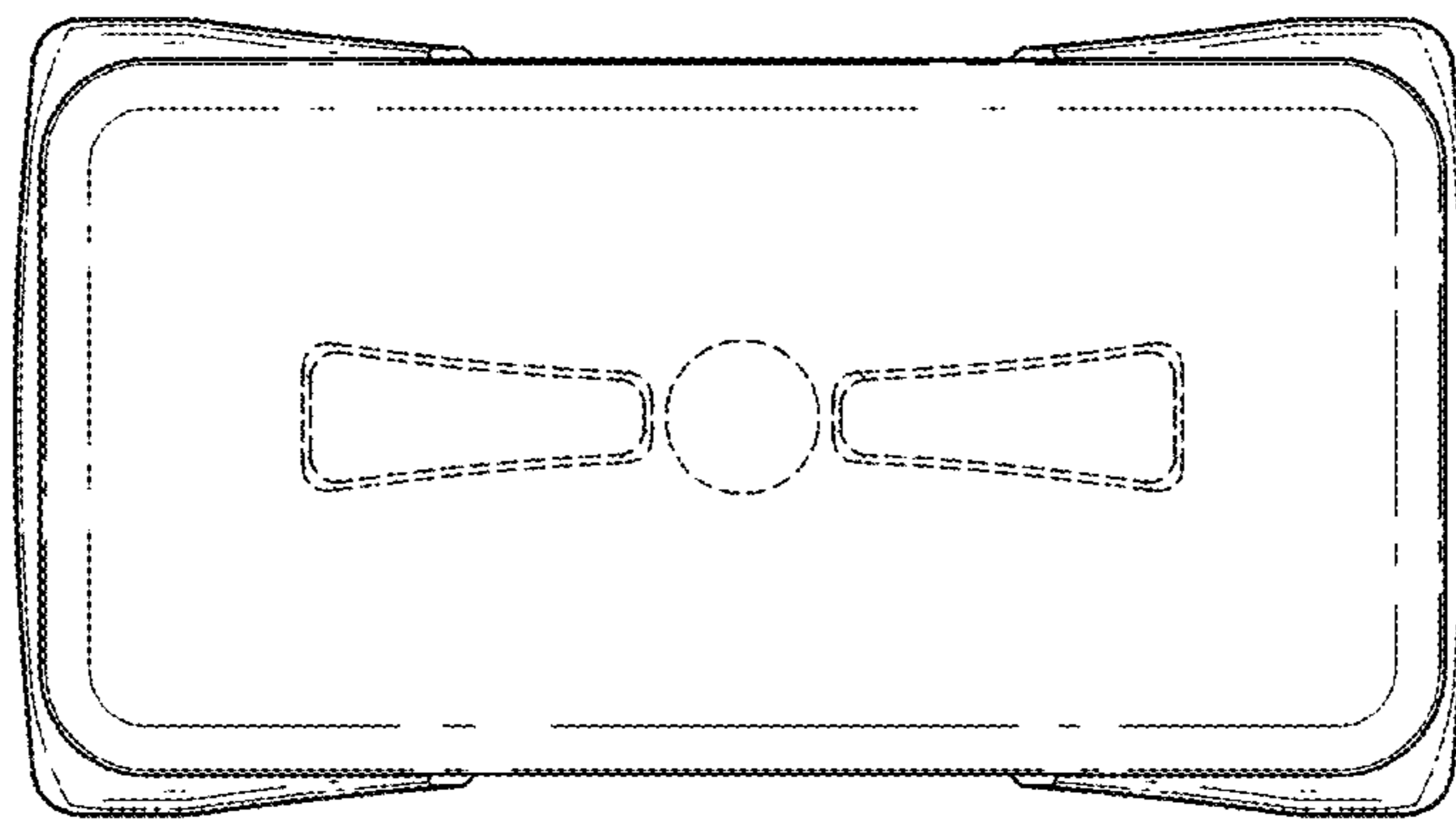


FIG. 7

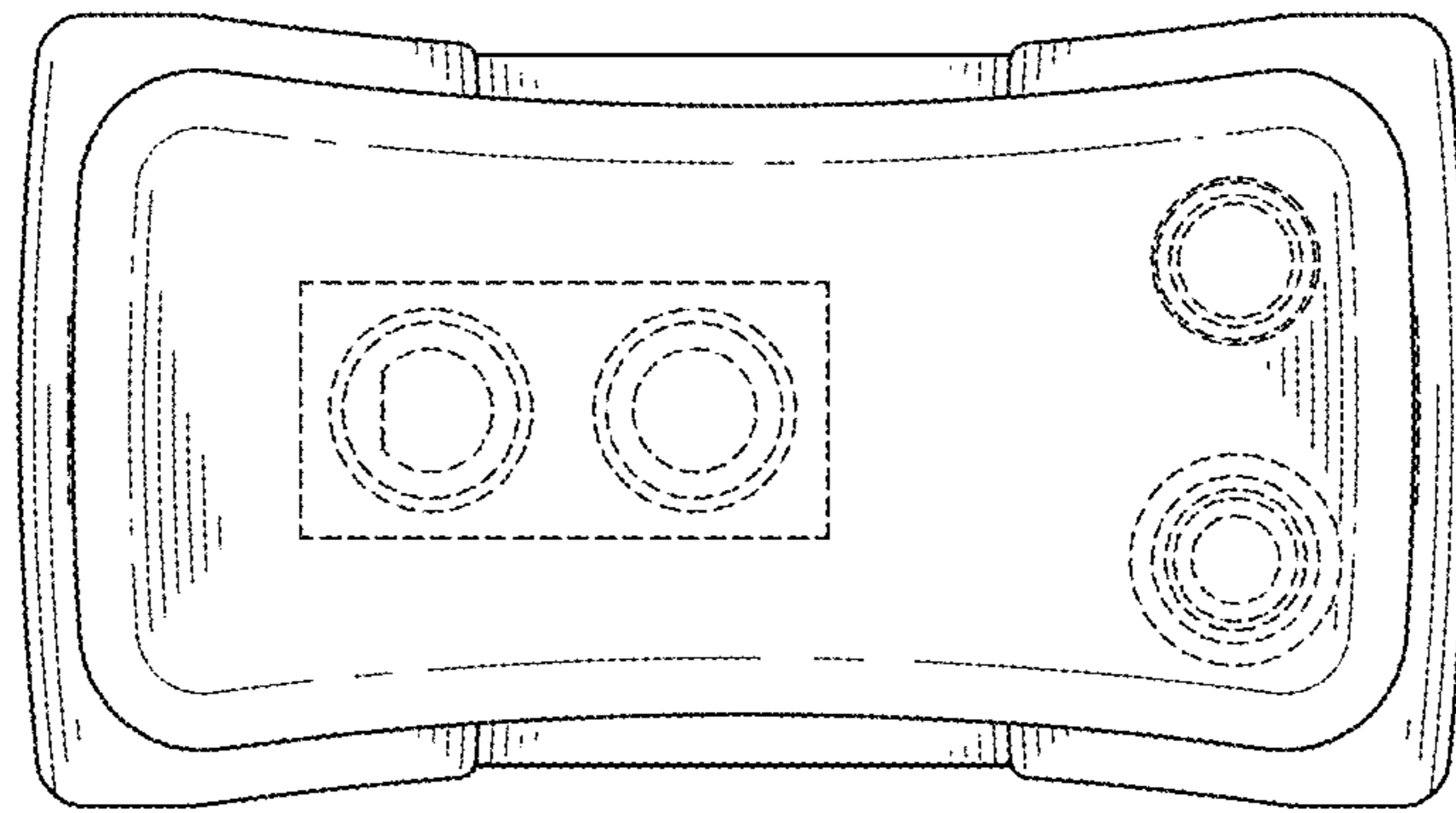


FIG. 8