



US00D824091S

(12) **United States Design Patent** (10) **Patent No.:** **US D824,091 S**
Miller (45) **Date of Patent:** **** Jul. 24, 2018**

(54) **LIGHTING FIXTURE COMPONENT**

(71) Applicant: **Jason Miller**, Brooklyn, NY (US)

(72) Inventor: **Jason Miller**, Brooklyn, NY (US)

(**) Term: **15 Years**

(21) Appl. No.: **29/625,231**

(22) Filed: **Nov. 8, 2017**

Related U.S. Application Data

(62) Division of application No. 29/601,617, filed on Apr. 24, 2017, now Pat. No. Des. 805,683, which is a division of application No. 29/523,519, filed on Apr. 10, 2015, now Pat. No. Des. 788,360.

(51) **LOC (11) Cl.** **26-99**

(52) **U.S. Cl.**
USPC **D26/141**

(58) **Field of Classification Search**
USPC D26/72, 80-84, 88-91, 118, 143
CPC F21S 8/028; F21S 8/036; F21S 8/04; F21S 8/043; F21S 8/046; F21S 8/06; F21S 8/061; F21S 8/063; F21S 8/065; F21S 8/068; F21V 21/03

See application file for complete search history.

(56) **References Cited**

U.S. PATENT DOCUMENTS

D398,068 S * 9/1998 Milicia D26/141
D564,123 S * 3/2008 Porter D26/141
D567,997 S * 4/2008 Lehman D26/141

* cited by examiner

Primary Examiner — Brian N. Vinson

(74) *Attorney, Agent, or Firm* — Timothy W. Menasco, Esq.; Harter Secrest & Emery LLP

(57) **CLAIM**

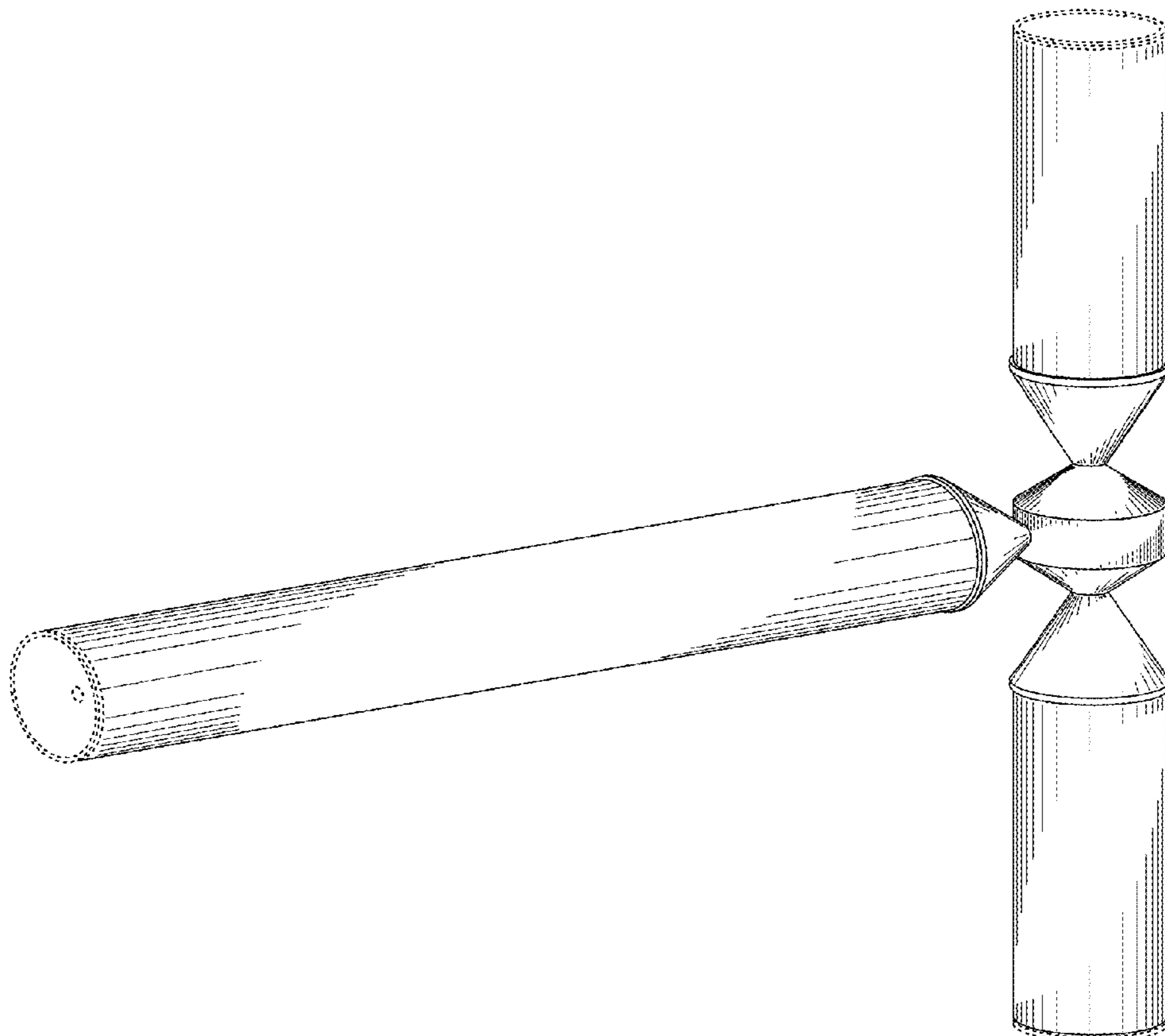
The ornamental design for a lighting fixture component, as shown and described.

DESCRIPTION

FIG. 1 is a front side perspective view of a lighting fixture component in accordance with the present invention; FIG. 2 is a right side view thereof; FIG. 3 is a rear side view thereof; FIG. 4 is a left side view thereof; FIG. 5 is a front side view thereof; FIG. 6 is a top view thereof; and, FIG. 7 is a bottom view thereof.

The lighting fixture component is not limited to the scale shown herein. The broken lines of the Figures are for illustrative purposes only and form no part of the claimed design.

1 Claim, 7 Drawing Sheets



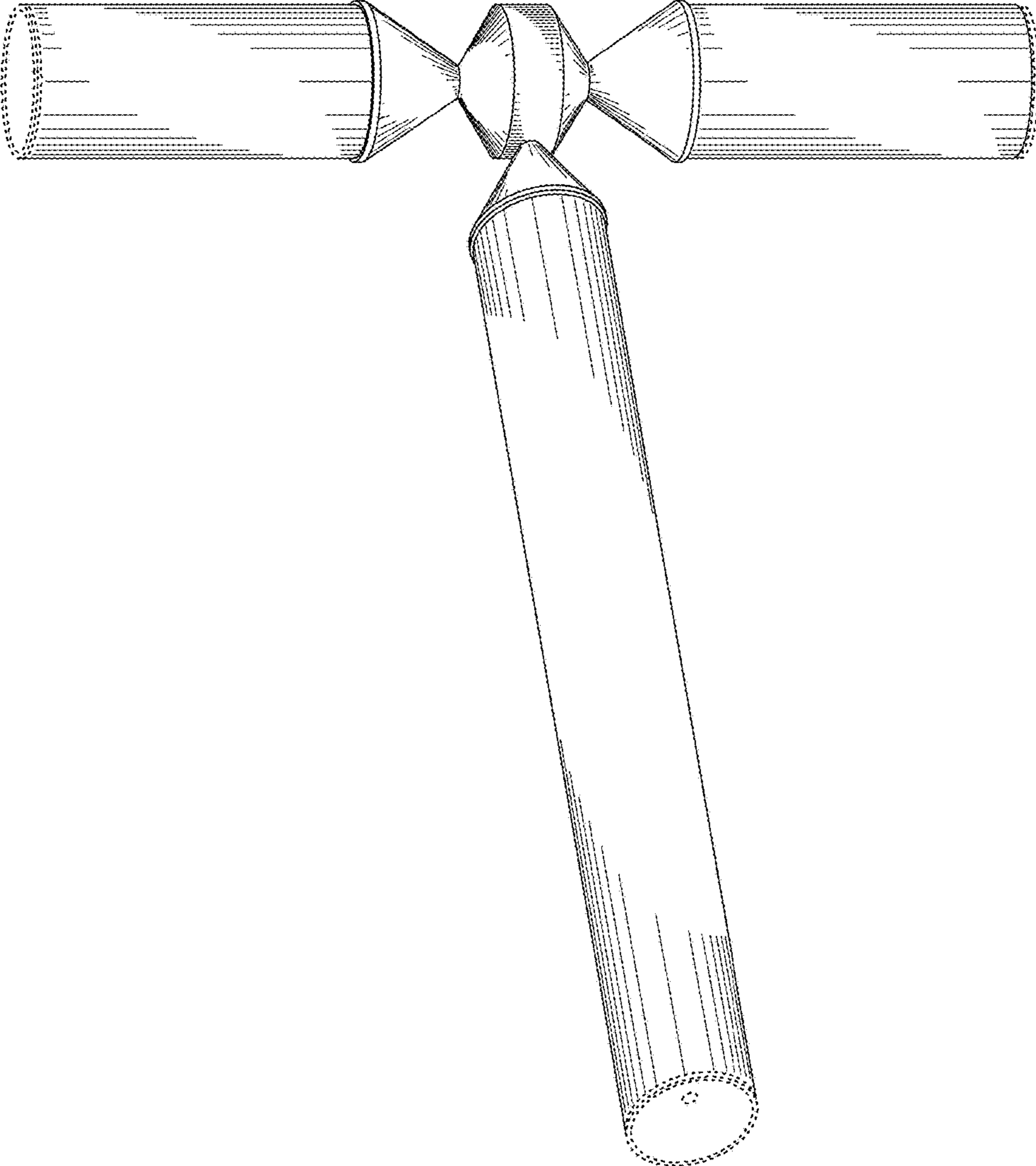


FIG. 1

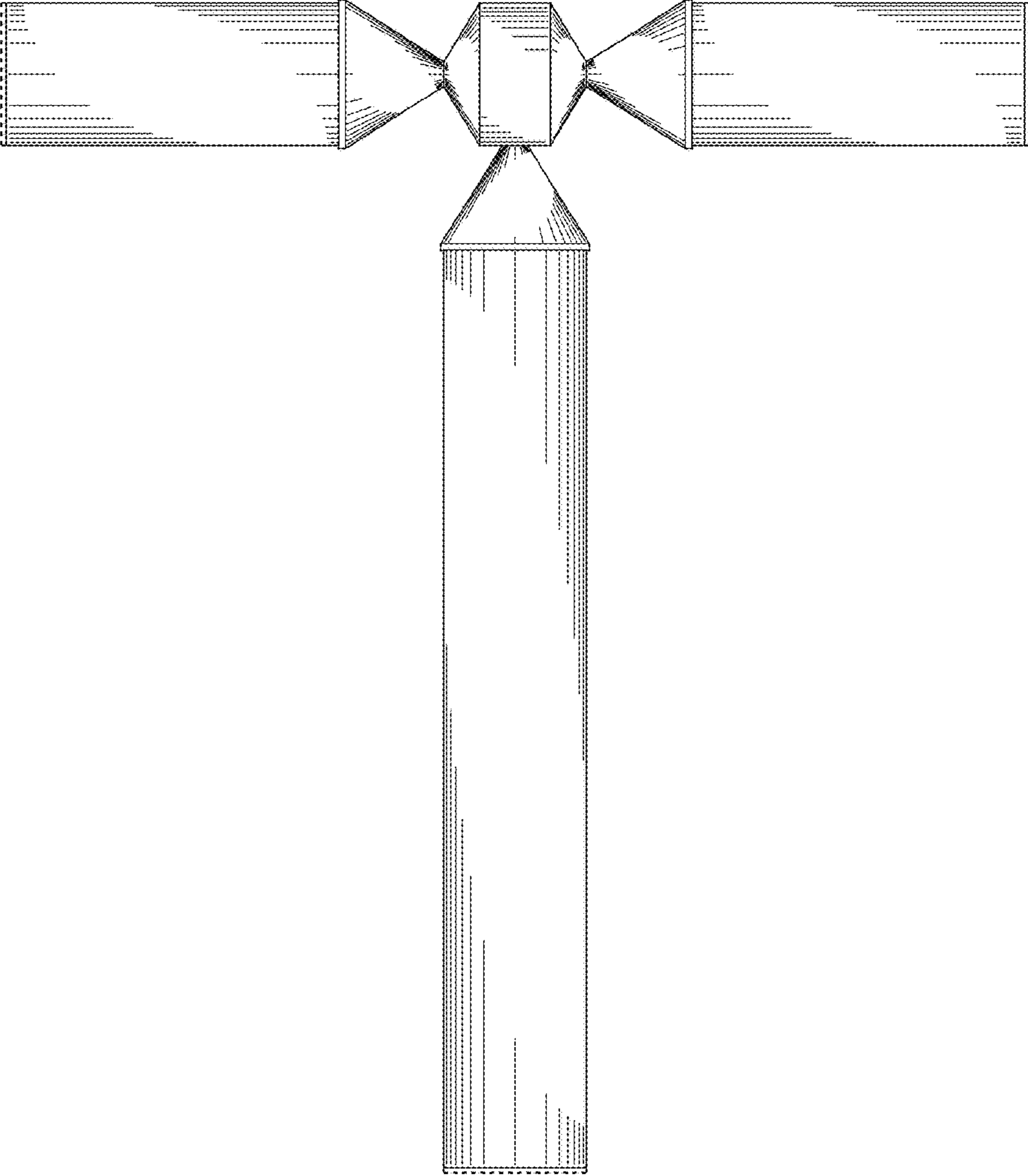


FIG. 2

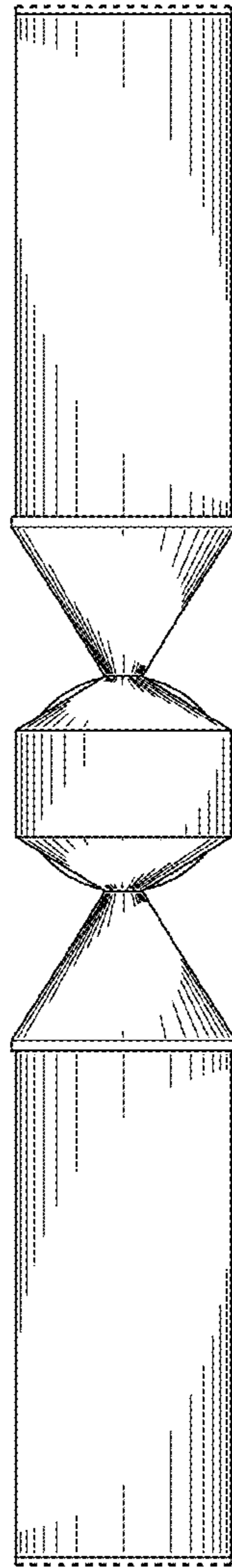


FIG. 3

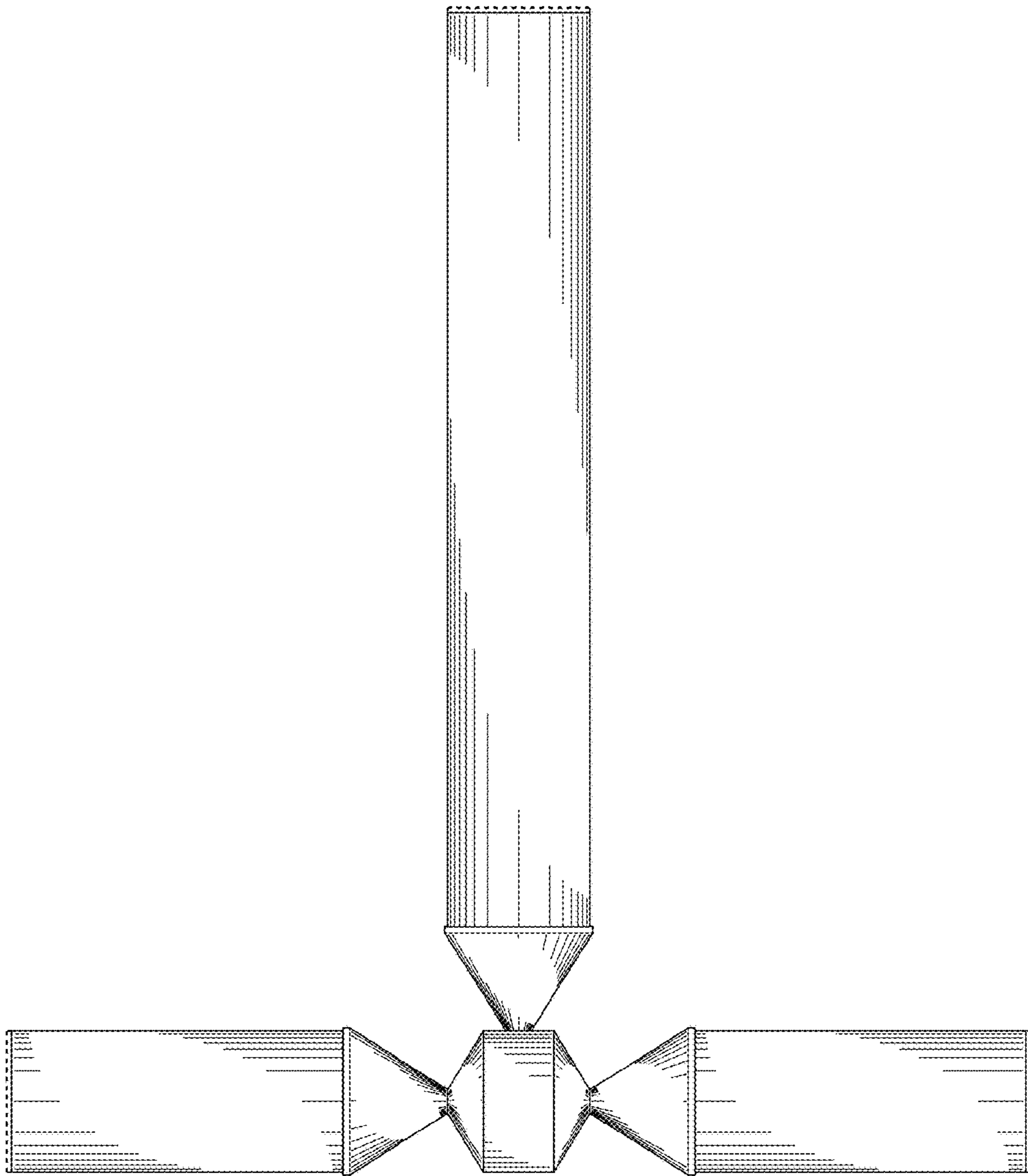


FIG. 4

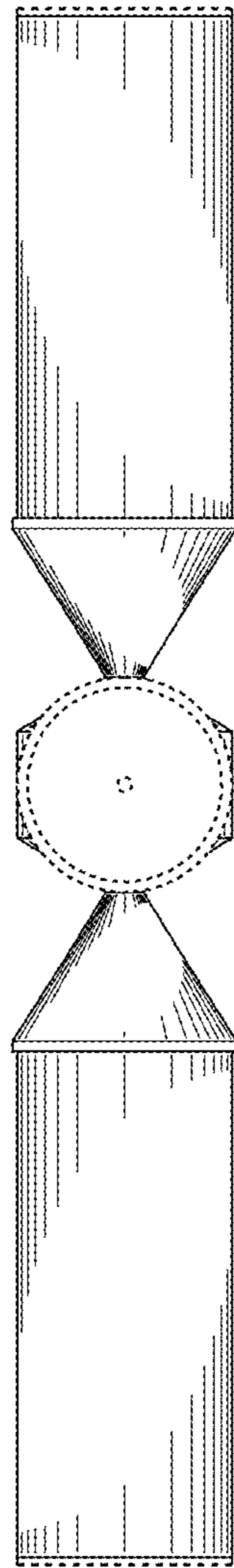


FIG. 5

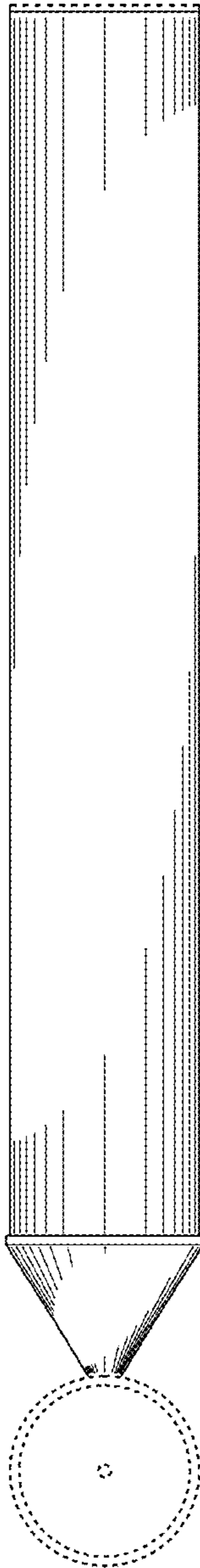


FIG. 6

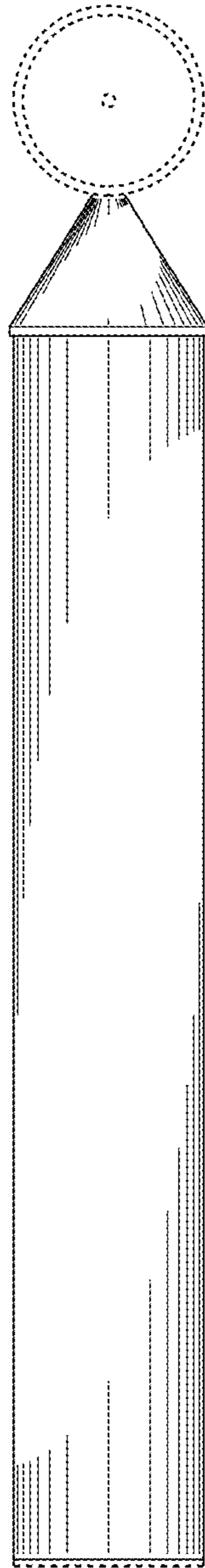


FIG. 7