



US00D824089S

(12) **United States Design Patent**
Dupras

(10) **Patent No.:** **US D824,089 S**
(45) **Date of Patent:** **** Jul. 24, 2018**

(54) **LIGHT FIXTURE ADAPTER PLATE**

(71) Applicant: **LUMISAVE INDUSTRIAL LED TECHNOLOGIES LTD.**, Prince George (CA)

(72) Inventor: **Jay Dupras**, Prince George (CA)

(73) Assignee: **LUMISAVE INDUSTRIAL LED TECHNOLOGIES LTD.**, Prince George, BC (CA)

(**) Term: **15 Years**

(21) Appl. No.: **29/540,214**

(22) Filed: **Sep. 22, 2015**

(30) **Foreign Application Priority Data**

Jun. 11, 2015 (CA) 162941

(51) **LOC (11) Cl.** **26-05**

(52) **U.S. Cl.**
USPC **D26/138**

(58) **Field of Classification Search**

USPC ... D6/2, 3, 8, 23-27, 37, 38, 39, 40, 44, 46, D6/48, 49, 50, 60, 61, 63, 65, 67, 104, D6/113, 118, 119, 138, 140-145, 148, D6/152, 153, 155, 156; D8/382, 383, D8/390, 395; D10/111-115; D13/134, D13/179; D14/473; D25/126-135; D26/2, 3, 8, 23-27, 37, 38, 39, 40, 44, D26/46, 48, 49, 50, 60, 61, 63, 65, 67, D26/104, 113, 118, 119, 138, 140-145, D26/148, 152, 153, 155, 156
CPC F21S 8/02; F21S 8/03; F21S 8/036; F21S 8/037; F21S 8/043; F21S 8/063; F21S 8/061; F21S 8/066; F21S 6/00; F21S 6/001;

(Continued)

(56) **References Cited**

U.S. PATENT DOCUMENTS

D252,954 S * 9/1979 Shiibashi D26/26
4,297,681 A * 10/1981 Dircksen G01D 11/28
362/23.18
D397,233 S * 8/1998 Bassford D10/104.1
(Continued)

OTHER PUBLICATIONS

UAP Adaptor (available online Feb. 17, 2015) Retrieved from the internet Mar. 15, 2017, retrieved from the internet URL: <http://web.archive.org/web/20150217010744/http://lumisave.com/our-products/uap-adaptor/>.*

Primary Examiner — Kevin K Rudzinski

Assistant Examiner — Richard Kearney

(74) *Attorney, Agent, or Firm* — Preti Flaherty Beliveau & Pachios LLP

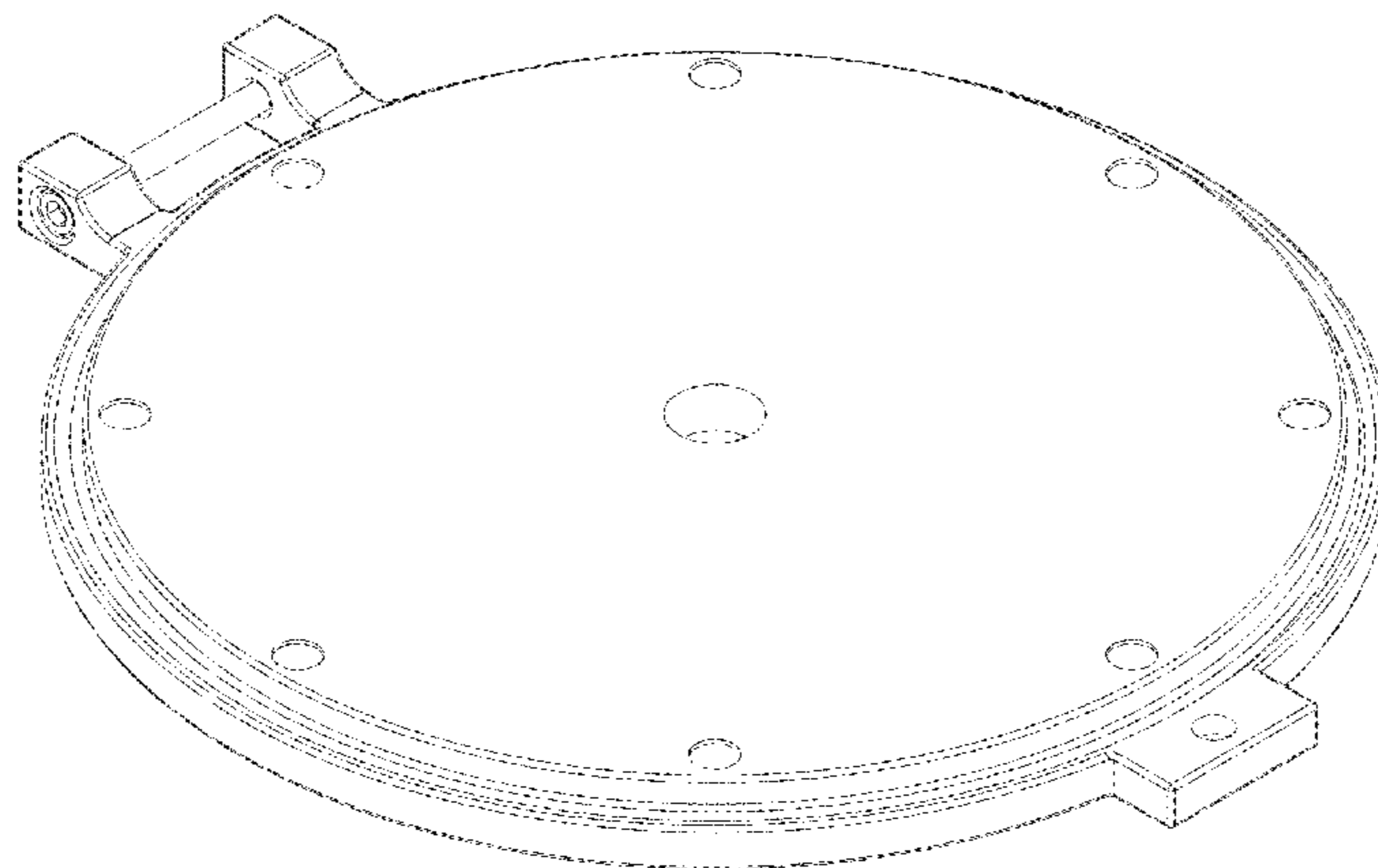
(57) **CLAIM**

The ornamental design for a light fixture adapter plate, as shown and described.

DESCRIPTION

FIG. 1 is a perspective view of a light fixture adapter plate; FIG. 2 is a top view of a light fixture adapter plate; FIG. 3 is a bottom view of a light fixture adapter plate; FIG. 4 is a view of the front side of a light fixture adapter plate; FIG. 5 is a view of the back side of a light fixture adapter plate; FIG. 6 is a view of the left side of a light fixture adapter plate; FIG. 7 is a view of the right side of a light fixture adapter plate; and, FIG. 8 is another perspective view showing the light fixture adapter plate in its environment of use.

(Continued)



The broken lines shown in FIG. 3 and FIG. 7 illustrate portions of the light fixture adapter plate that form no part of the claimed design. The broken lines in FIG. 8 illustrate environmental structure that forms no part of the claimed design.

1 Claim, 5 Drawing Sheets

(58) **Field of Classification Search**

CPC F21S 10/063; F21S 13/12; F21V 21/03;
F21V 21/34; F21V 23/001

See application file for complete search history.

(56) **References Cited**

U.S. PATENT DOCUMENTS

6,840,776 B2 * 1/2005 Sørensen H01R 33/94
439/56
D619,964 S * 7/2010 Coughaine D13/134
D627,296 S * 11/2010 Vogt D13/134
8,342,711 B2 * 1/2013 Lin F21K 9/00
362/249.01
D770,673 S * 11/2016 Hasan D26/138
2008/0249517 A1 * 10/2008 Svanberg G02B 6/3809
606/15
2013/0058087 A1 * 3/2013 Chang F21V 21/03
362/249.02
2013/0294077 A1 * 11/2013 Gabrius F21S 8/026
362/241
2016/0161082 A1 * 6/2016 Huang F21S 48/234
362/514
2017/0045204 A1 * 2/2017 McNicol B60Q 1/2611

* cited by examiner

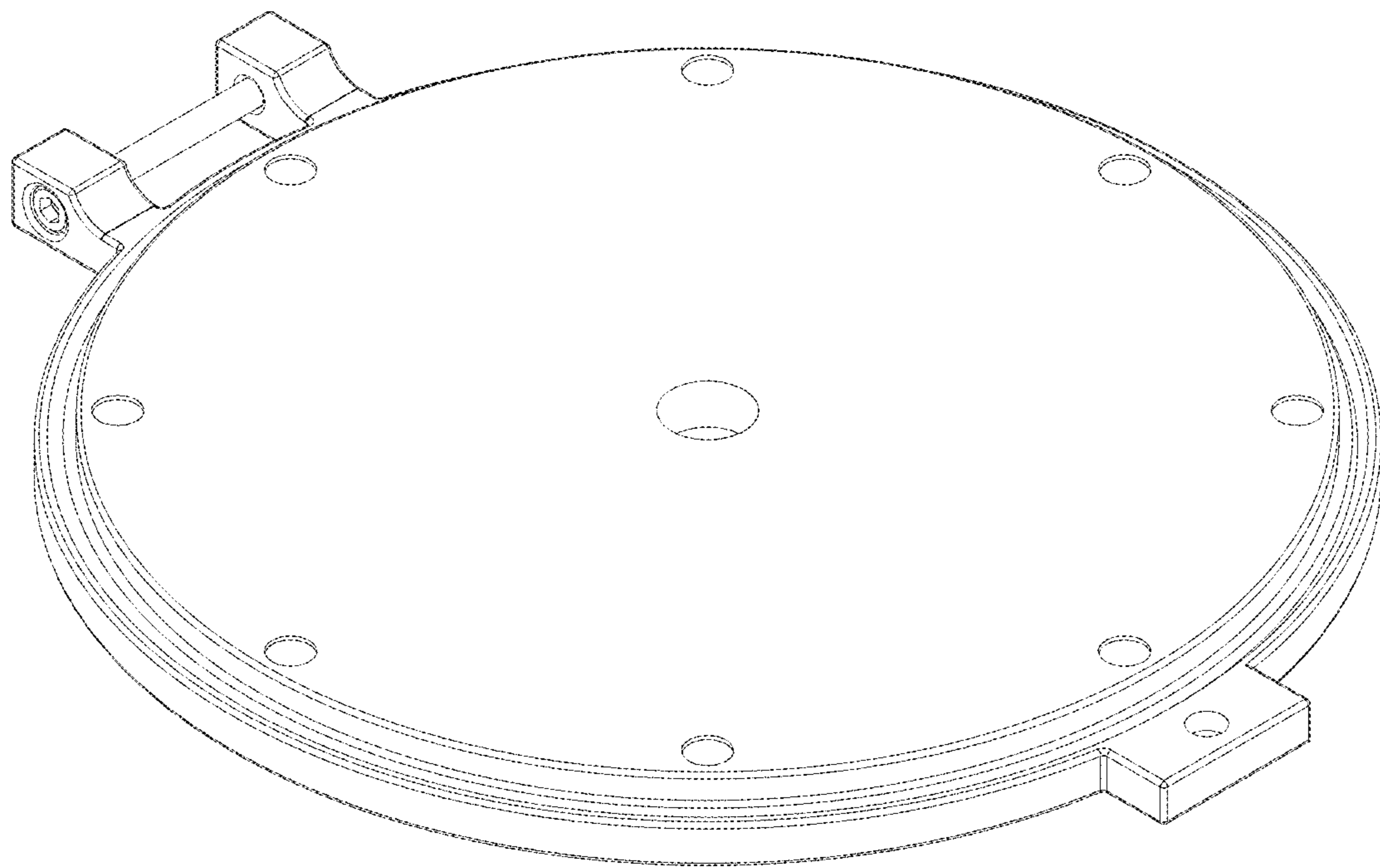


FIG.1

FIG.2

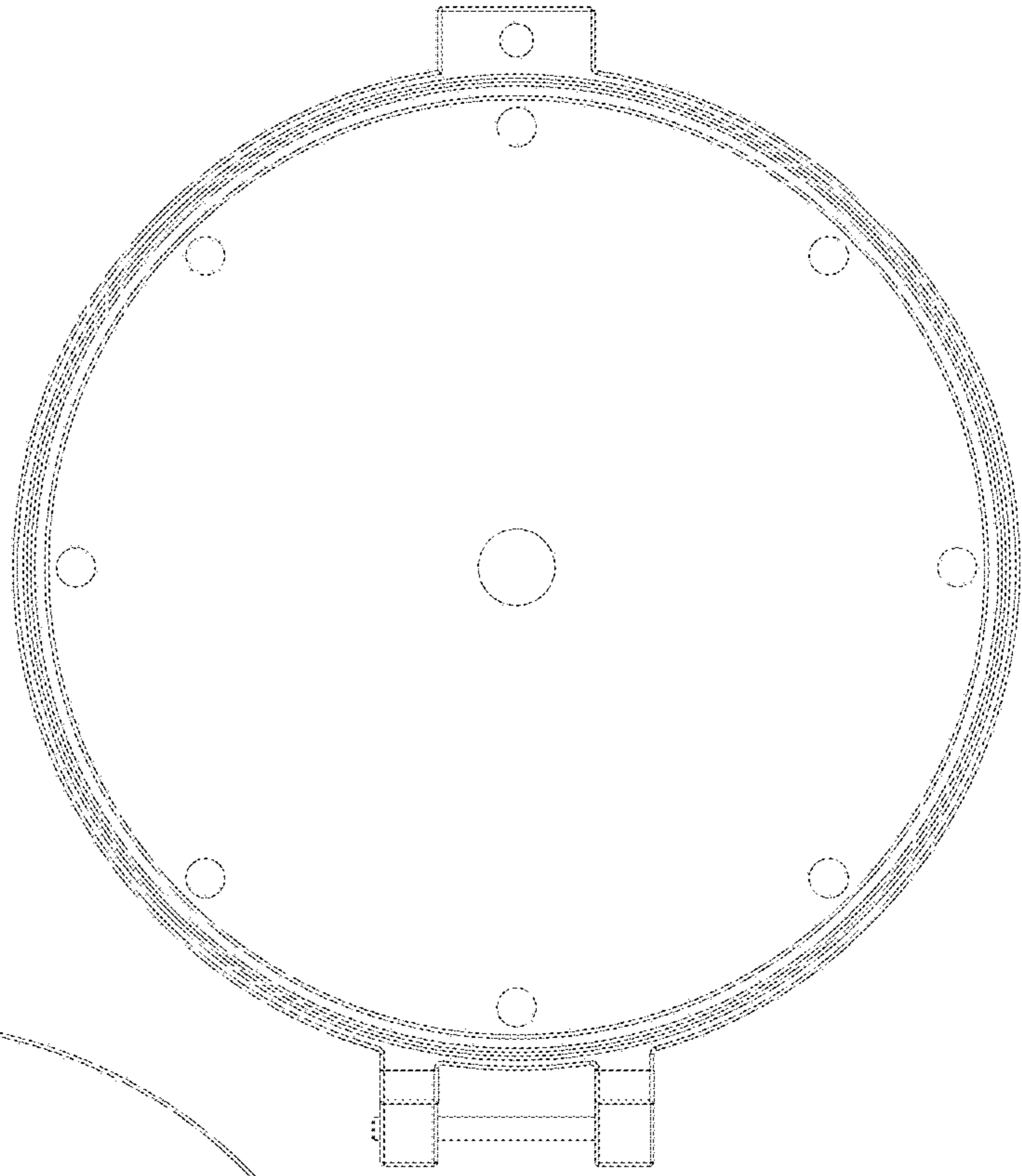
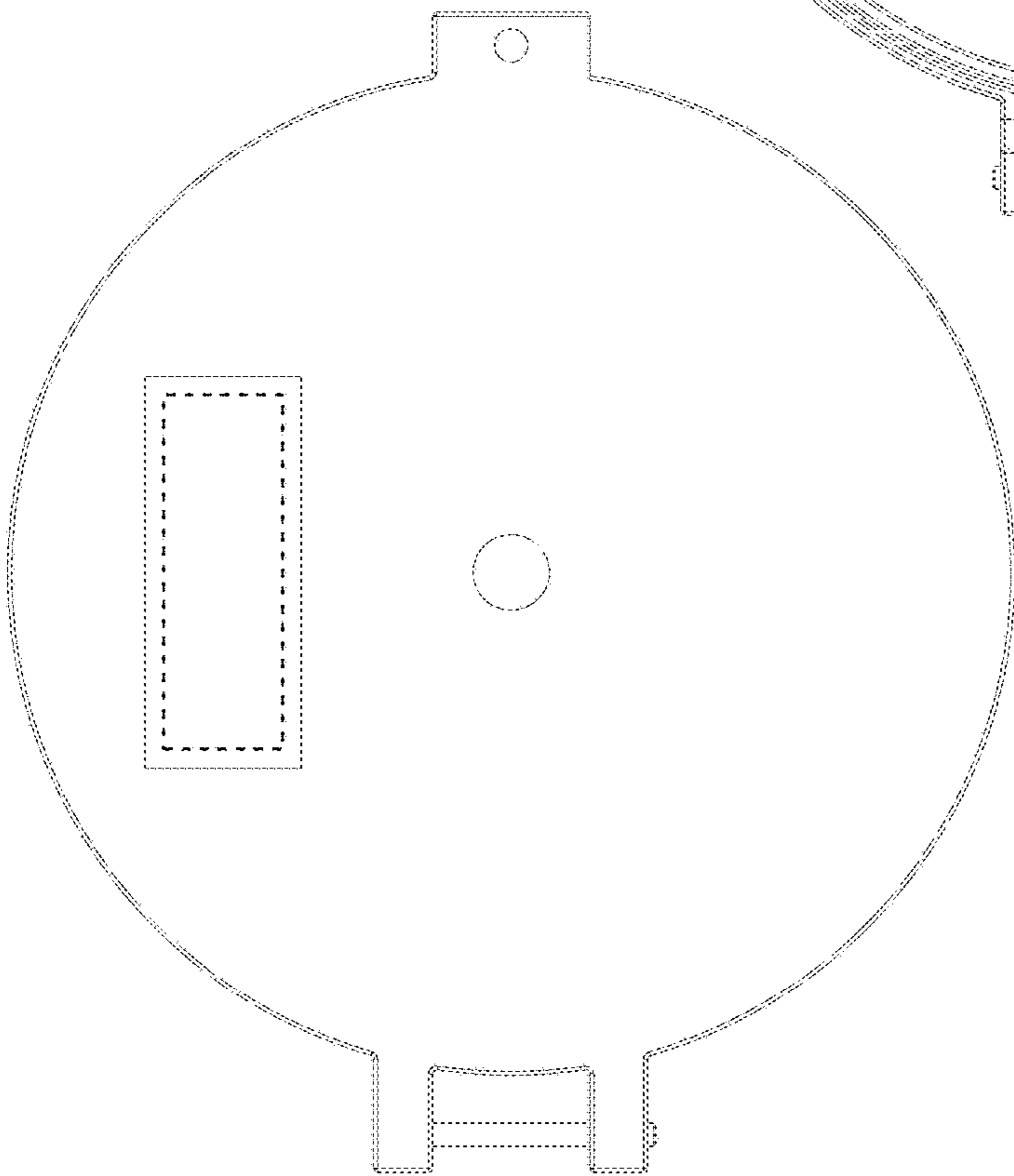


FIG.3



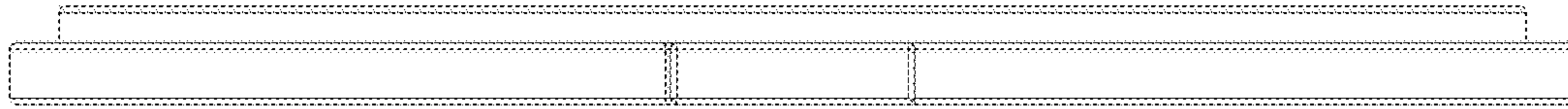


FIG. 4

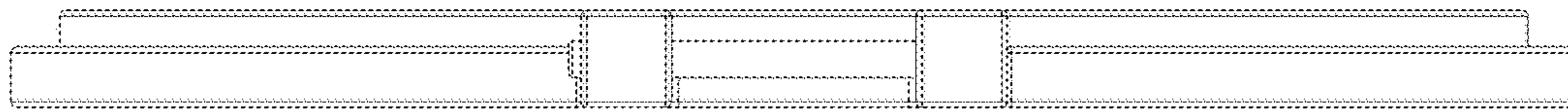


FIG. 5

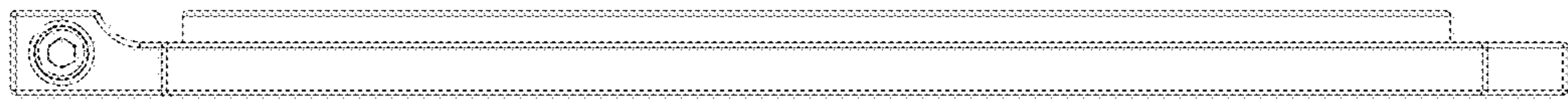


FIG. 6

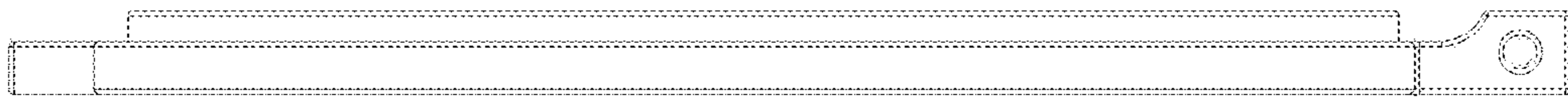


FIG. 7

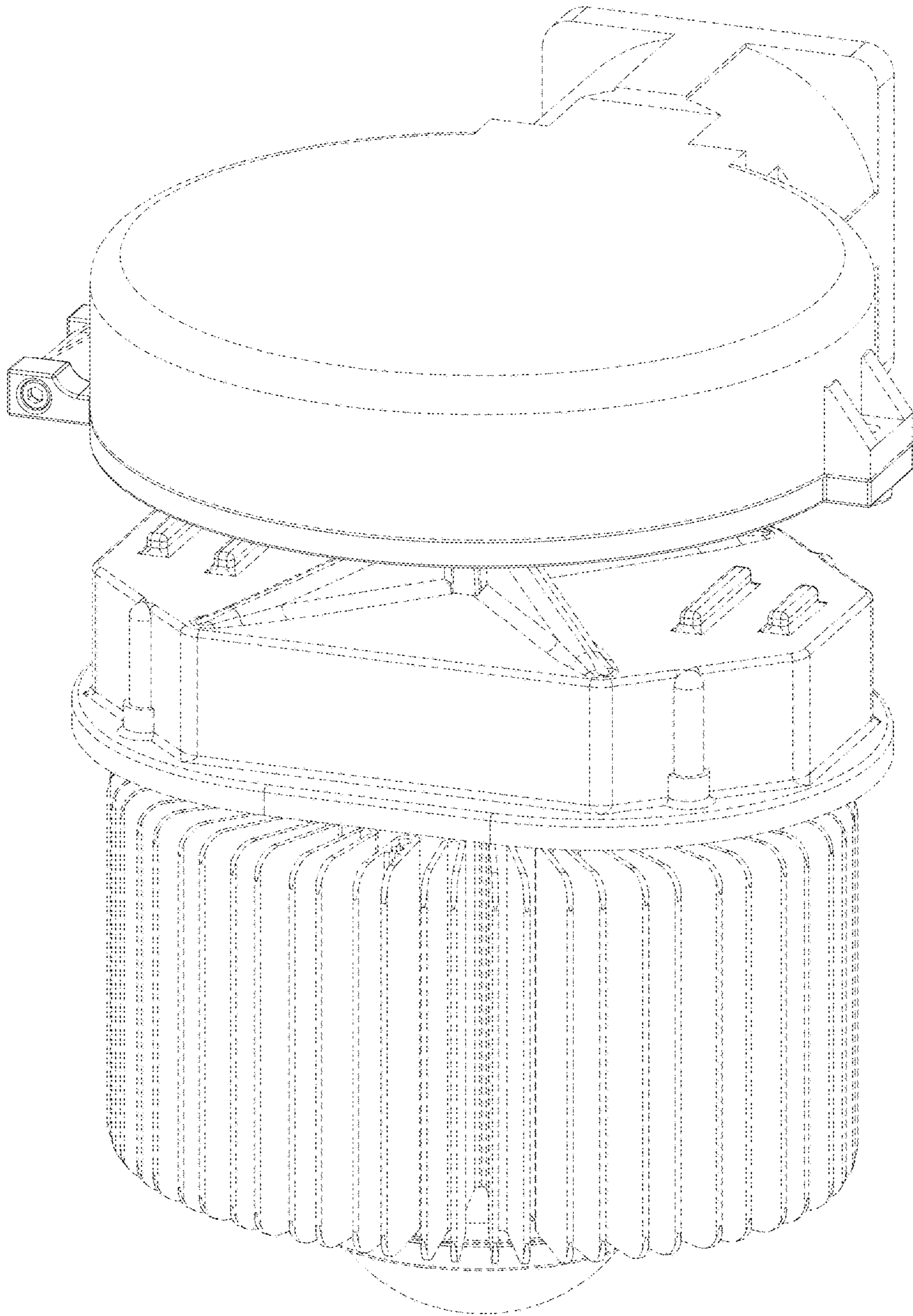


FIG.8