



US00D824088S

(12) **United States Design Patent**
Vasylyev

(10) **Patent No.:** **US D824,088 S**
(45) **Date of Patent:** **** Jul. 24, 2018**

- (54) **LIGHT GUIDE**
- (71) Applicant: **Sergiy Vasylyev**, Elk Grove, CA (US)
- (72) Inventor: **Sergiy Vasylyev**, Elk Grove, CA (US)
- (73) Assignee: **SVV TECHNOLOGY INNOVATIONS, INC.**, Sacramento, CA (US)
- (**) Term: **15 Years**
- (21) Appl. No.: **29/624,861**
- (22) Filed: **Nov. 3, 2017**

D493,251 S	7/2004	Yu et al.	
D494,704 S *	8/2004	Yu	D26/122
D515,715 S *	2/2006	Egawa	D26/1
D579,586 S *	10/2008	Mattingly	D25/138
D581,090 S *	11/2008	Colleran, Jr.	D26/122
D582,590 S *	12/2008	Ding	D26/37
D654,210 S	2/2012	Bushre	
D679,444 S	4/2013	Vasylyev	
D693,045 S	11/2013	Kirschhoffer et al.	
D706,967 S	6/2014	Lai	

(Continued)

Primary Examiner — Brian N. Vinson

(57) **CLAIM**

The ornamental design for a light guide, as shown and described.

DESCRIPTION

A portion of the material in this patent document is subject to copyright protection under the copyright laws of the United States and of other countries. The owner of the copyright rights has no objection to the facsimile reproduction by anyone of the patent document or the patent disclosure, as it appears in the United States Patent and Trademark Office publicly available file or records, but otherwise reserves all copyright rights whatsoever. The copyright owner does not hereby waive any of its rights to have this patent document maintained in secrecy, including without limitation its rights pursuant to 37 C.F.R. § 1.14.

FIG. 1 is a front, top and right side perspective view of a light guide showing my new design;
FIG. 2 is a top view thereof;
FIG. 3 is a bottom view thereof;
FIG. 4 is a front view thereof;
FIG. 5 is a rear view thereof; and,
FIG. 6 is a right side view thereof, the left side view being a mirror image thereof.
The broken lines represent the bounds of the claim and form no part of the claimed design.

Related U.S. Application Data

- (60) Division of application No. 29/585,675, filed on Nov. 28, 2016, now Pat. No. Des. 805,244, which is a division of application No. 29/538,952, filed on Sep. 9, 2015, now Pat. No. Des. 776,334, which is a continuation-in-part of application No. 29/538,679, filed on Sep. 5, 2015, now Pat. No. Des. 776,333, which is a continuation-in-part of application No. 13/766,698, filed on Feb. 13, 2013.

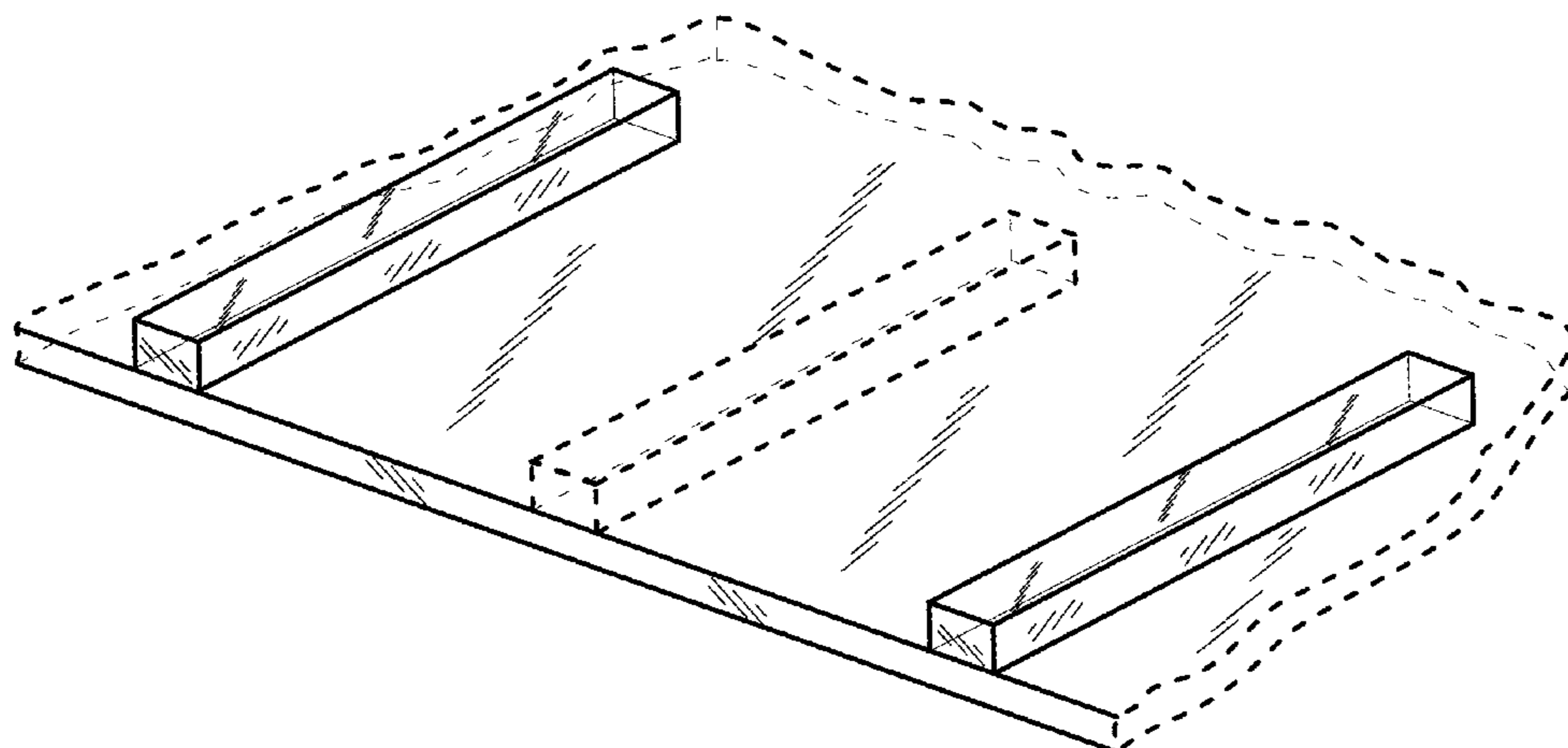
- (51) **LOC (11) Cl.** **26-99**
- (52) **U.S. Cl.**
USPC **D26/122**
- (58) **Field of Classification Search**
USPC D26/1, 24, 113, 120, 122; D13/180;
D10/93, 114; D25/138
CPC B60Q 1/04; B60Q 1/26; F21S 8/026; F21S
8/04; F21V 29/004; F21V 21/02; F21V
21/04; F21V 29/2212; F21Y 2101/02
See application file for complete search history.

(56) **References Cited**

U.S. PATENT DOCUMENTS

D227,610 S *	7/1973	Nagel	D10/111
D334,992 S *	4/1993	Sacco	D26/122

1 Claim, 4 Drawing Sheets



(56)

References Cited

U.S. PATENT DOCUMENTS

D719,284 S 12/2014 Mizushiro et al.
D721,200 S * 1/2015 Kim D26/122
D735,929 S 8/2015 Huang et al.
D743,089 S * 11/2015 Sugihara D26/13

* cited by examiner

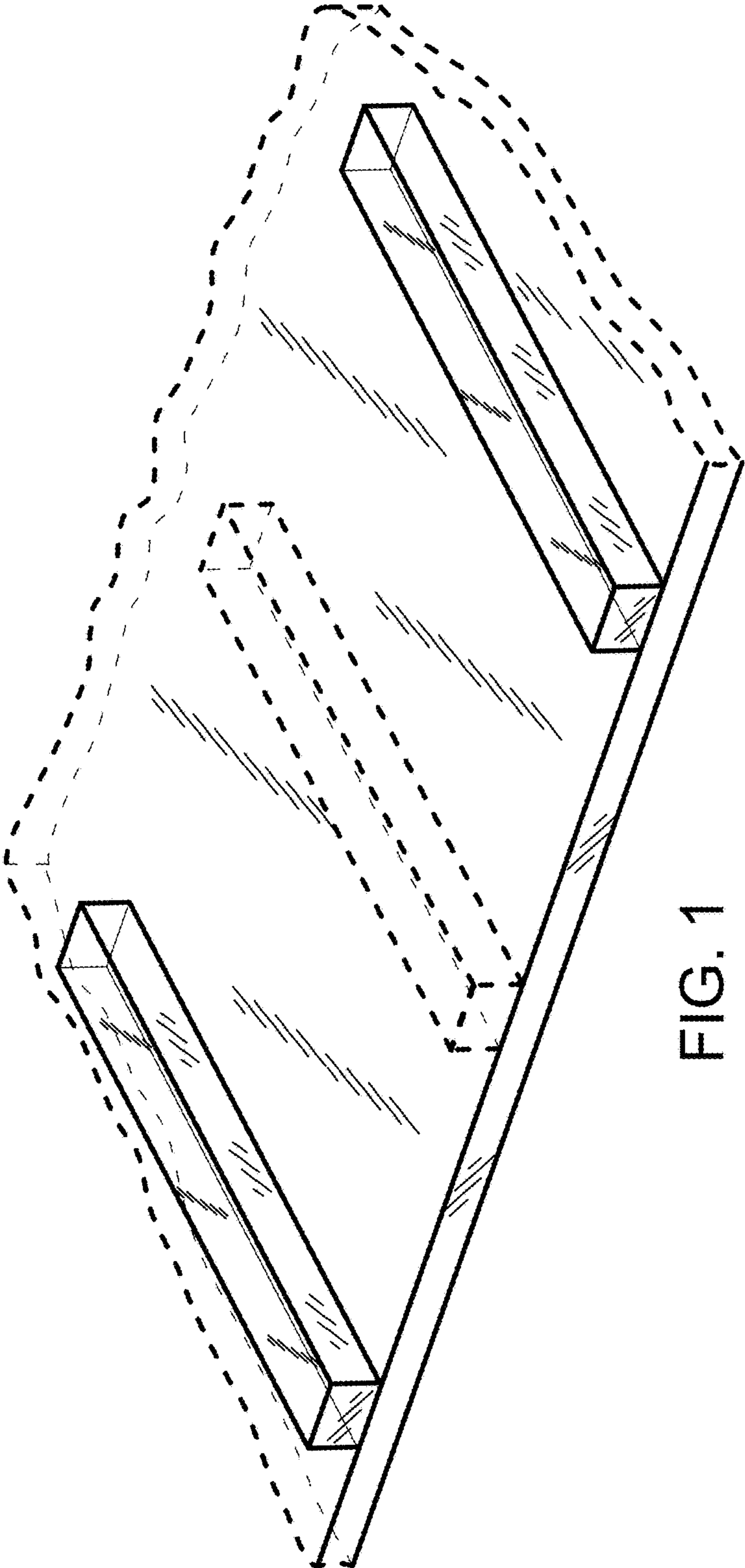


FIG. 1

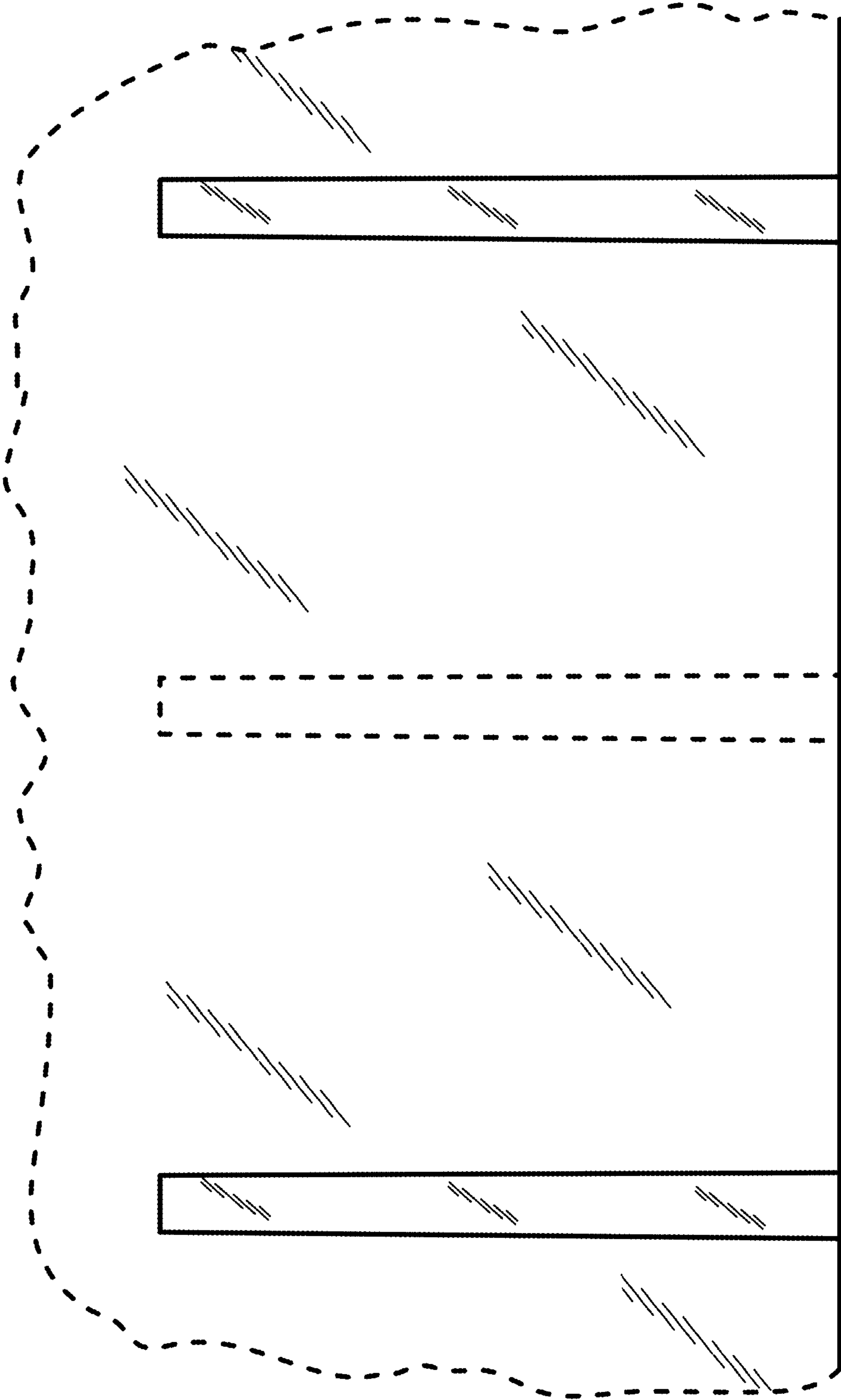


FIG. 2

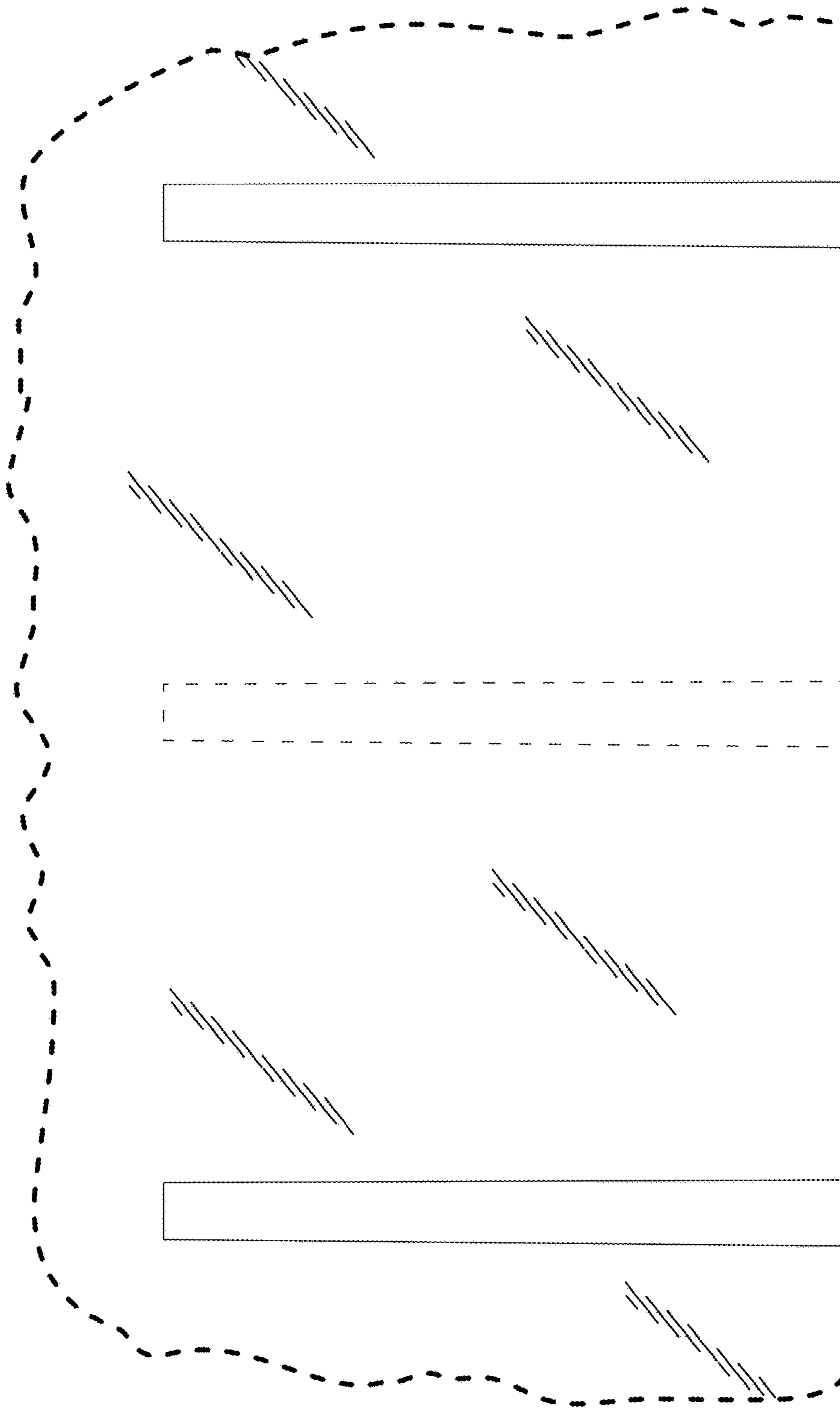


FIG. 3



FIG. 4



FIG. 5

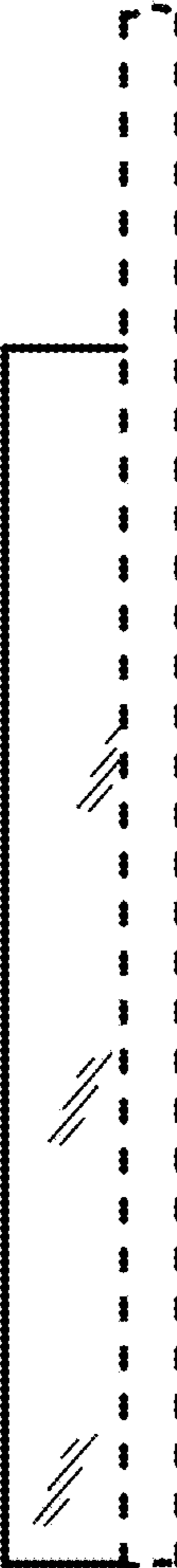


FIG. 6