



US00D824084S

(12) **United States Design Patent**
Hendifar et al.

(10) **Patent No.:** **US D824,084 S**
(45) **Date of Patent:** **** Jul. 24, 2018**

(54) **FLOOR LAMP**

(71) Applicant: **APPARATUS, LLC**, New York, NY
(US)

(72) Inventors: **Gabriel Hendifar**, Rhinebeck, NY
(US); **Jeremy R. Anderson**, Rhinebeck,
NY (US)

(73) Assignee: **APPARATUS LLC**, New York, NY
(US)

(**) Term: **15 Years**

(21) Appl. No.: **29/598,350**

(22) Filed: **Mar. 24, 2017**

(51) **LOC (11) Cl.** **26-03**

(52) **U.S. Cl.**
USPC **D26/111**

(58) **Field of Classification Search**
USPC D26/24, 93, 104, 105, 106, 110, 111,
D26/112, 138, 141, 142
CPC ... F21S 6/00; F21S 6/002; F21S 8/043; F21V
21/02; F21V 21/116; F21W 2131/30
See application file for complete search history.

(56) **References Cited**

U.S. PATENT DOCUMENTS

D166,614 S * 4/1952 Livers D26/105
D426,908 S * 6/2000 Batcheller, Jr. D26/110

D435,929 S * 1/2001 Yeh D26/106
D643,143 S * 8/2011 Sabernig D26/93
D664,373 S * 7/2012 Pamudji D6/393
D761,993 S * 7/2016 Kitts D26/106
D772,472 S * 11/2016 Velez D26/106

* cited by examiner

Primary Examiner — Brian N. Vinson

(74) *Attorney, Agent, or Firm* — Gottlieb, Rackman &
Reisman, P.C.

(57) **CLAIM**

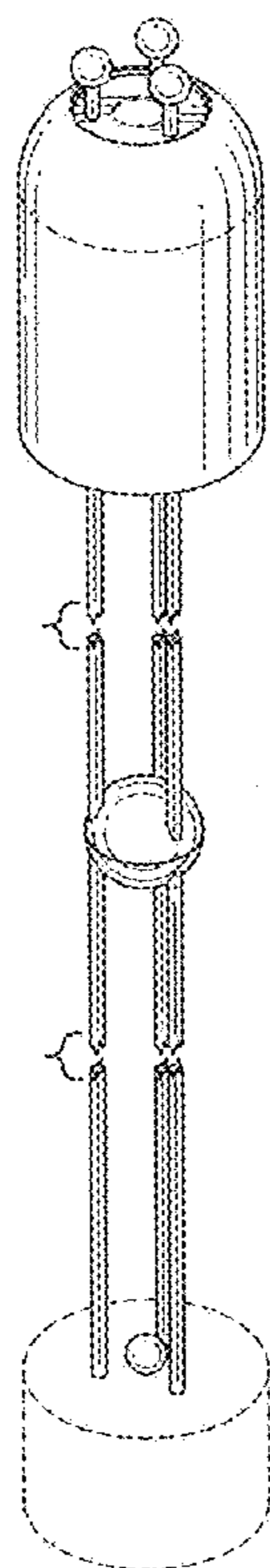
The ornamental design for a floor lamp, as shown and
described.

DESCRIPTION

FIG. 1 is a perspective view of the floor lamp showing my
new design;
FIG. 2 a front elevational view thereof;
FIG. 3 is a rear elevational view thereof;
FIG. 4 is a right side elevational view thereof;
FIG. 5 is a left side elevational view thereof;
FIG. 6 is a top plan view thereof; and,
FIG. 7 is a bottom plan view thereof.

The areas between the break lines in FIGS. 1-5 form no part
of the claimed design. The broken line disclosure represents
portions of the fixture which forms no part of the claimed
design.

1 Claim, 6 Drawing Sheets



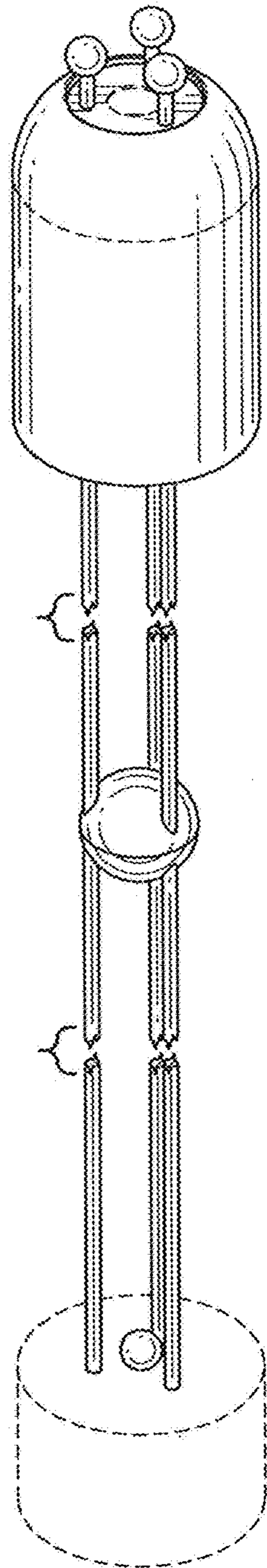


FIG. 1

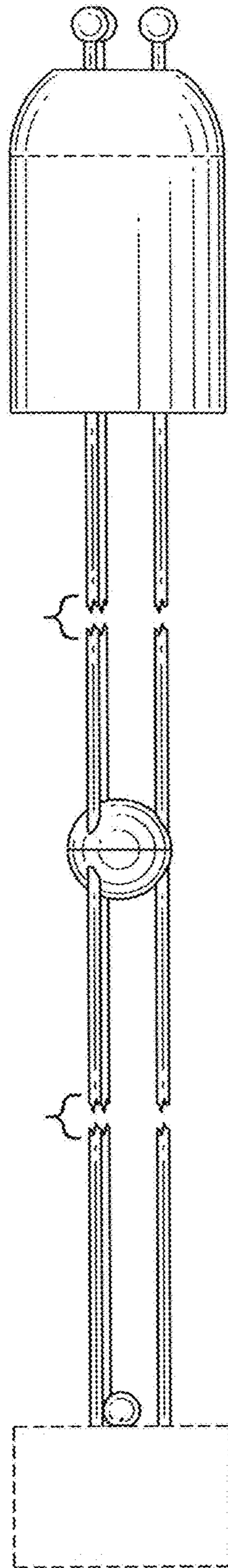


FIG. 2

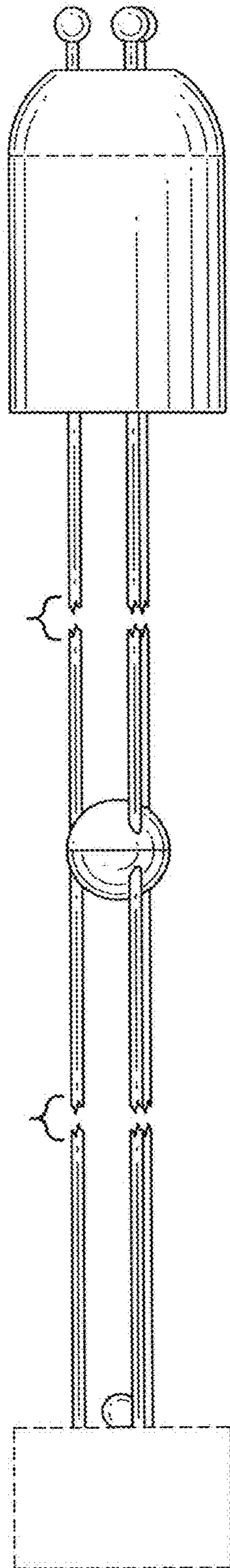


FIG. 3

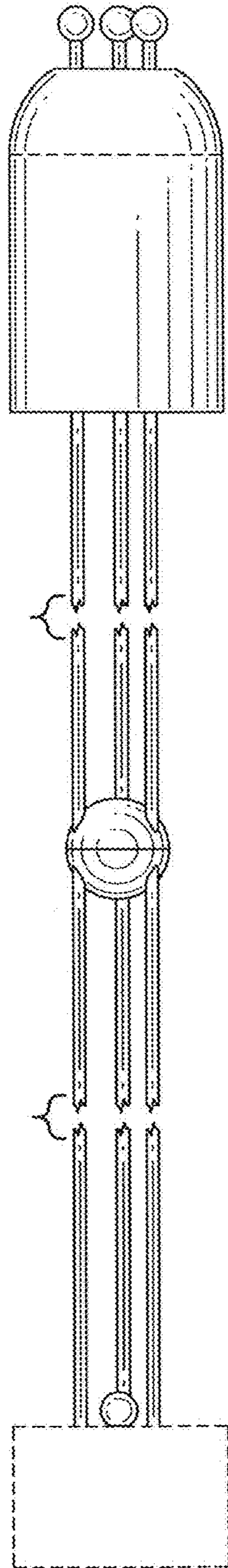


FIG. 4

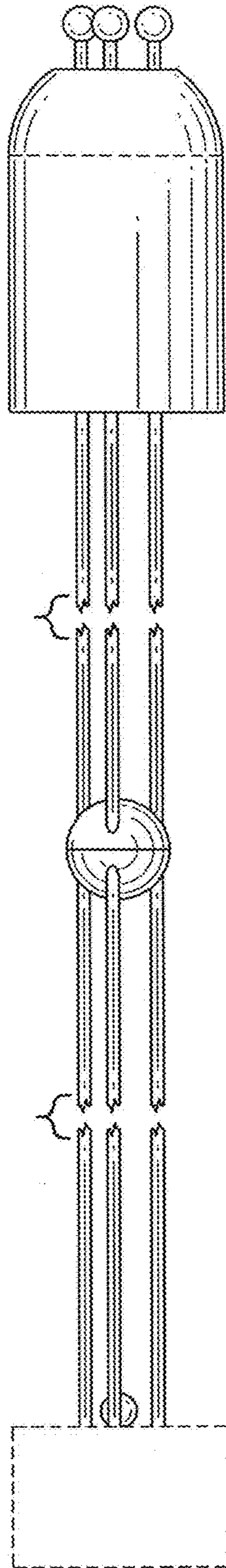


FIG. 5

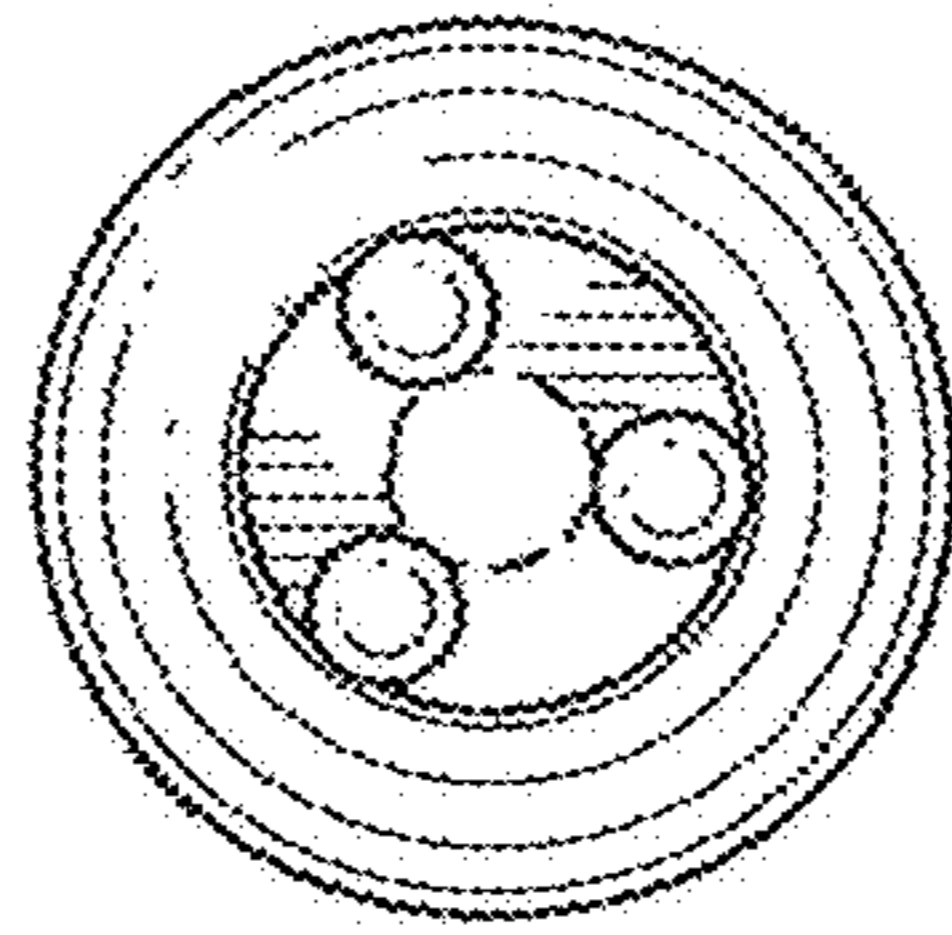


FIG. 6

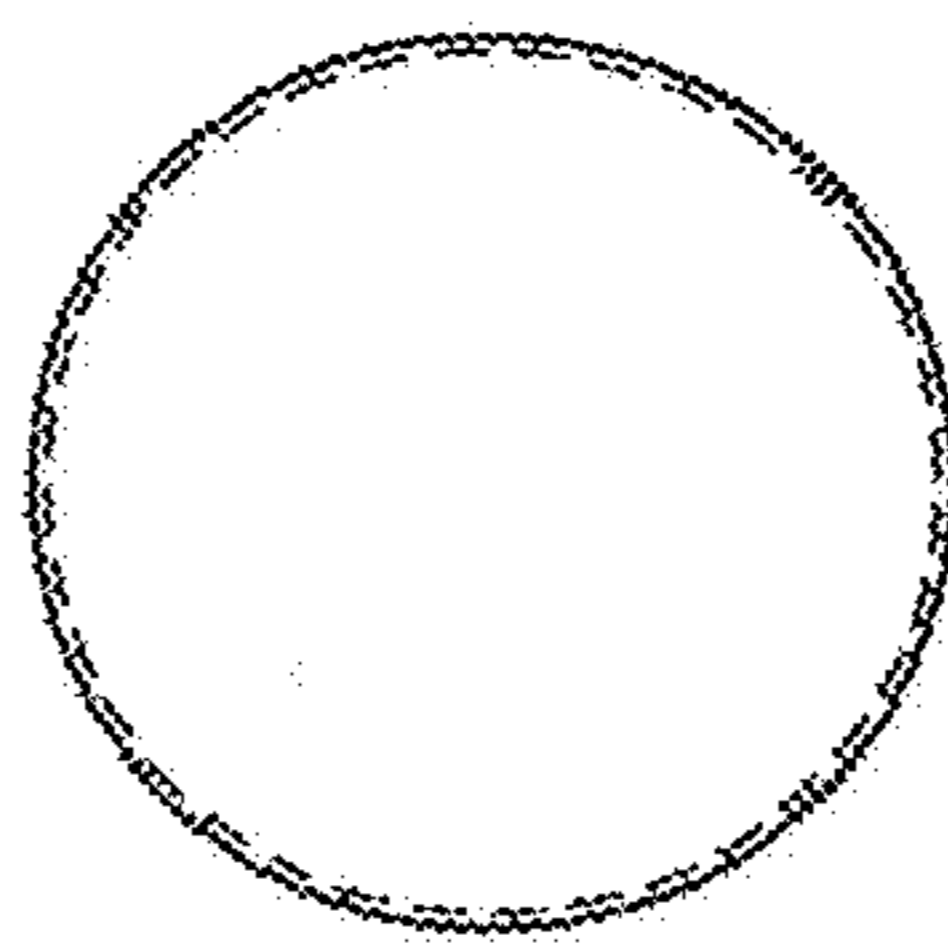


FIG. 7