



US00D824083S

(12) **United States Design Patent**  
**Zahn**

(10) **Patent No.:** **US D824,083 S**

(45) **Date of Patent:** **\*\* Jul. 24, 2018**

(54) **LIGHTING FIXTURE**

(71) Applicant: **Karl Stefan Zahn**, Brooklyn, NY (US)

(72) Inventor: **Karl Stefan Zahn**, Brooklyn, NY (US)

(\*\*) Term: **15 Years**

(21) Appl. No.: **29/619,179**

(22) Filed: **Sep. 27, 2017**

**Related U.S. Application Data**

(62) Division of application No. 29/571,877, filed on Jul. 22, 2016, now Pat. No. Des. 802,202.

(51) **LOC (11) Cl.** ..... **26-03**

(52) **U.S. Cl.**  
USPC ..... **D26/108**

(58) **Field of Classification Search**  
USPC ..... D26/24, 93, 3, 108  
CPC .... F21S 6/00; F21S 6/004; F21S 6/002; F21S 6/006; F21S 8/00; F21S 10/00; F21V 21/02; F21W 2131/30; F21Y 2105/00  
See application file for complete search history.

(56) **References Cited**

**U.S. PATENT DOCUMENTS**

D396,316 S \* 7/1998 Wang ..... D26/107  
D509,013 S \* 8/2005 Opolka ..... D26/107

D607,141 S \* 12/2009 Huang ..... D26/107  
D698,984 S \* 2/2014 Meise ..... D26/107  
D760,941 S \* 7/2016 Dixon ..... D26/107  
D766,494 S \* 9/2016 Hoshikawa ..... D26/107  
D780,369 S \* 2/2017 Anastassiades ..... D26/107

\* cited by examiner

*Primary Examiner* — Brian N. Vinson

(74) *Attorney, Agent, or Firm* — Timothy W. Menasco, Esq.; Harter Secrest & Emery LLP

(57) **CLAIM**

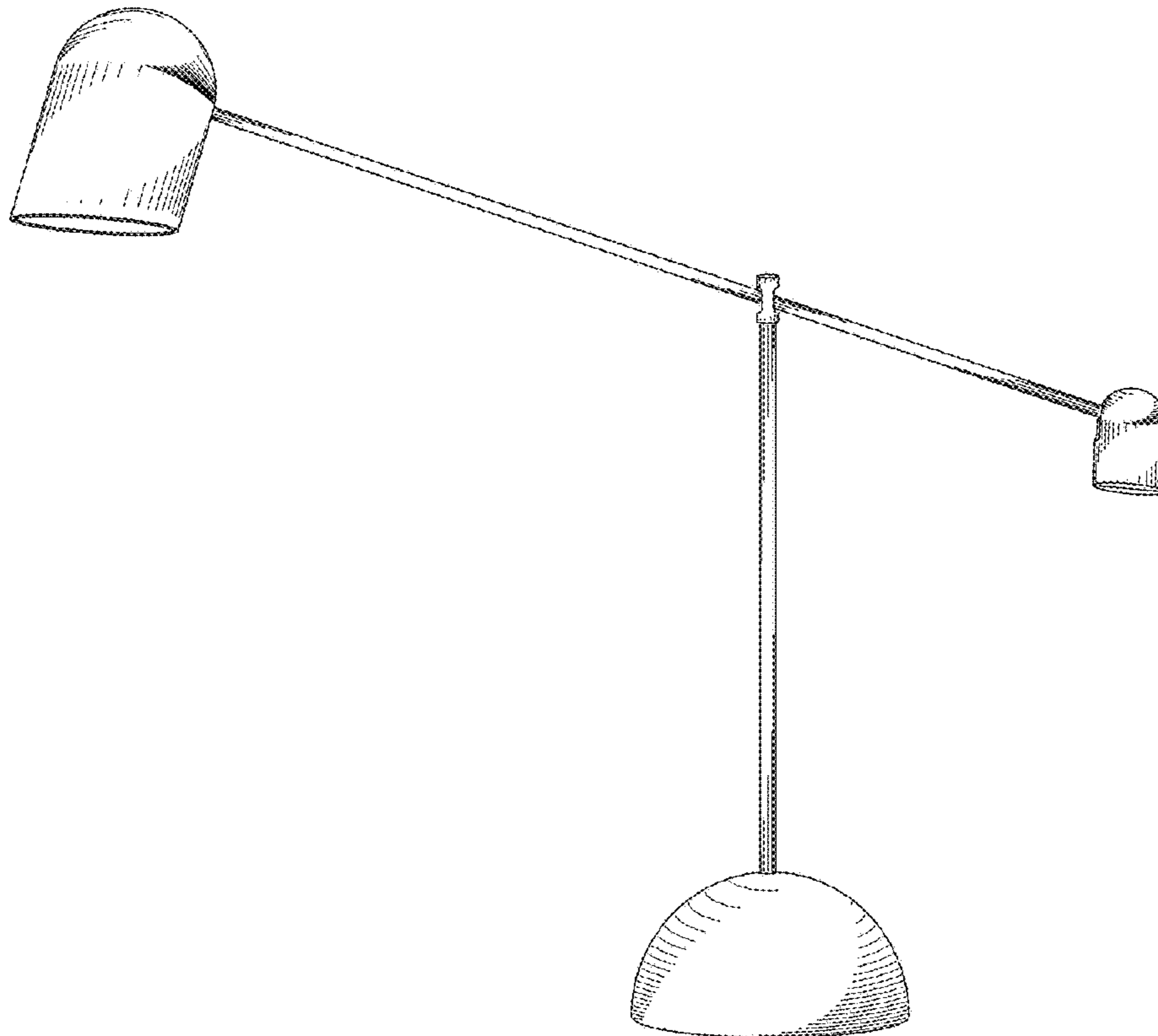
The ornamental design of a lighting fixture, as shown and described.

**DESCRIPTION**

FIG. 1 is a front perspective view of a lighting fixture in accordance with the present invention;  
FIG. 2 is a front view thereof;  
FIG. 3 is a right side view thereof;  
FIG. 4 is a rear view thereof;  
FIG. 5 is a left side view thereof;  
FIG. 6 is a top view thereof; and,  
FIG. 7 is a bottom view thereof.

The broken line disclosure represents portions of the fixture which forms no part of the claimed design.

**1 Claim, 6 Drawing Sheets**



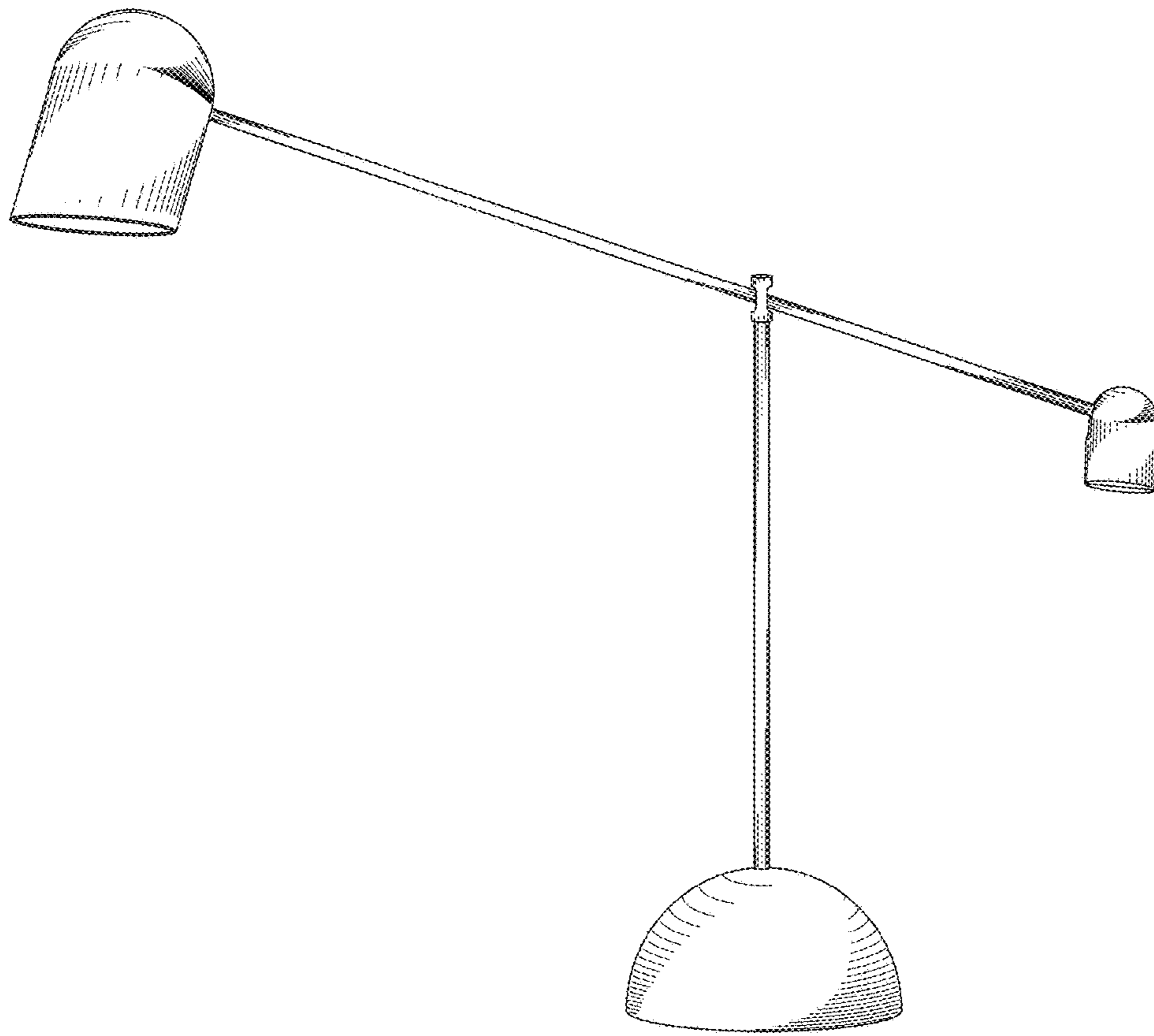


FIG. 1

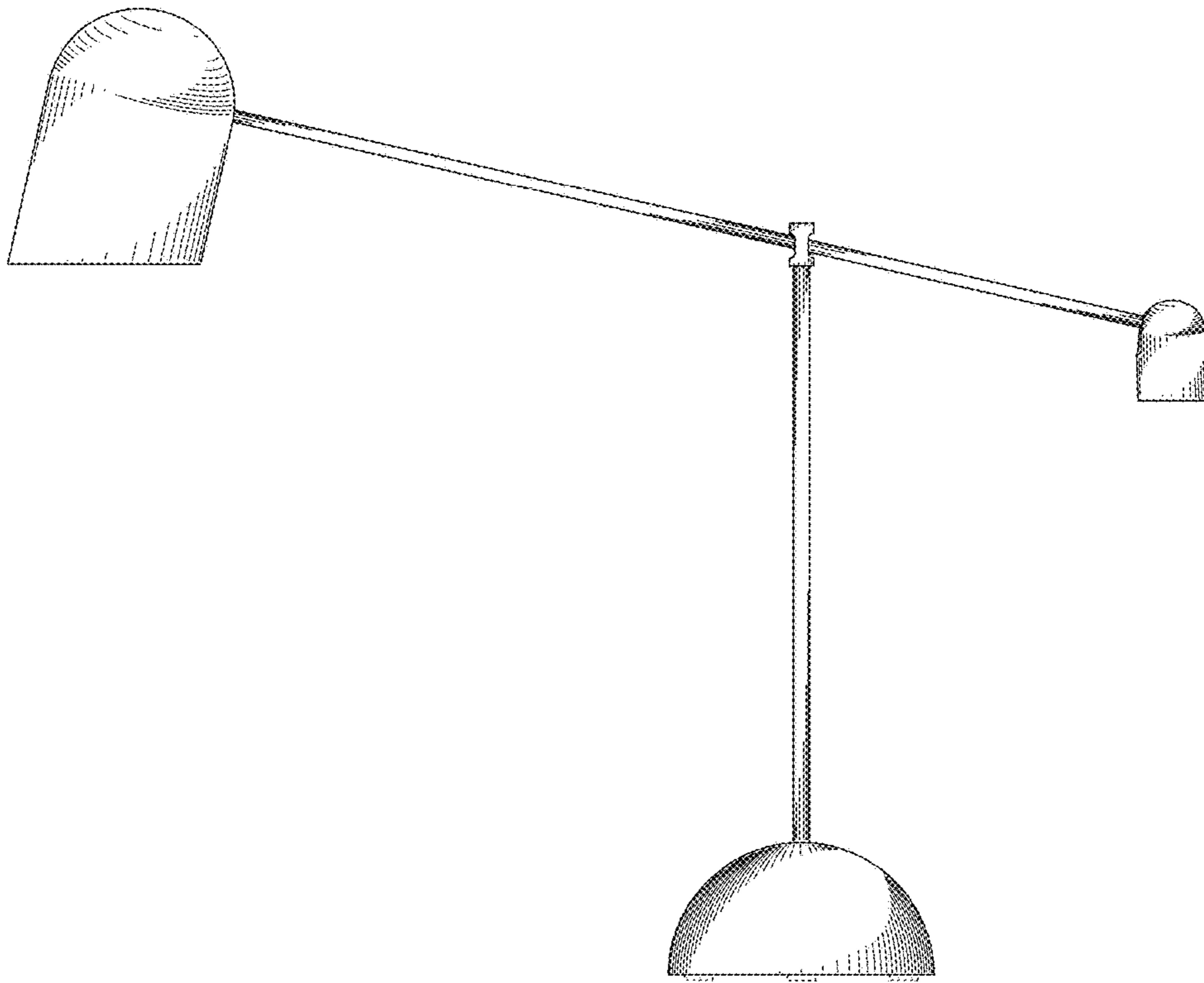


FIG. 2

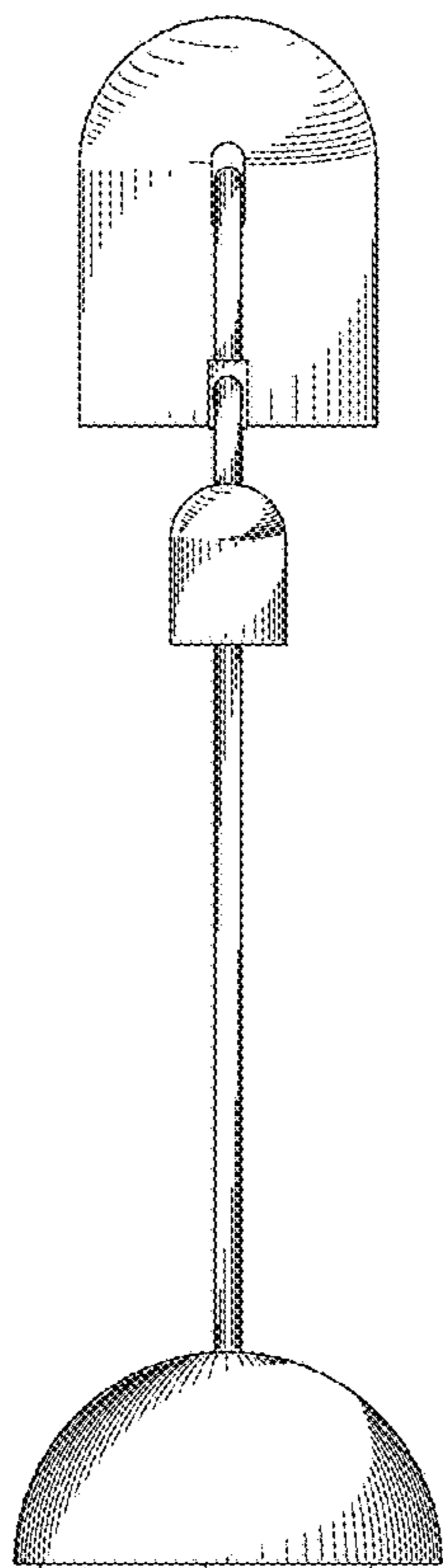


FIG. 3

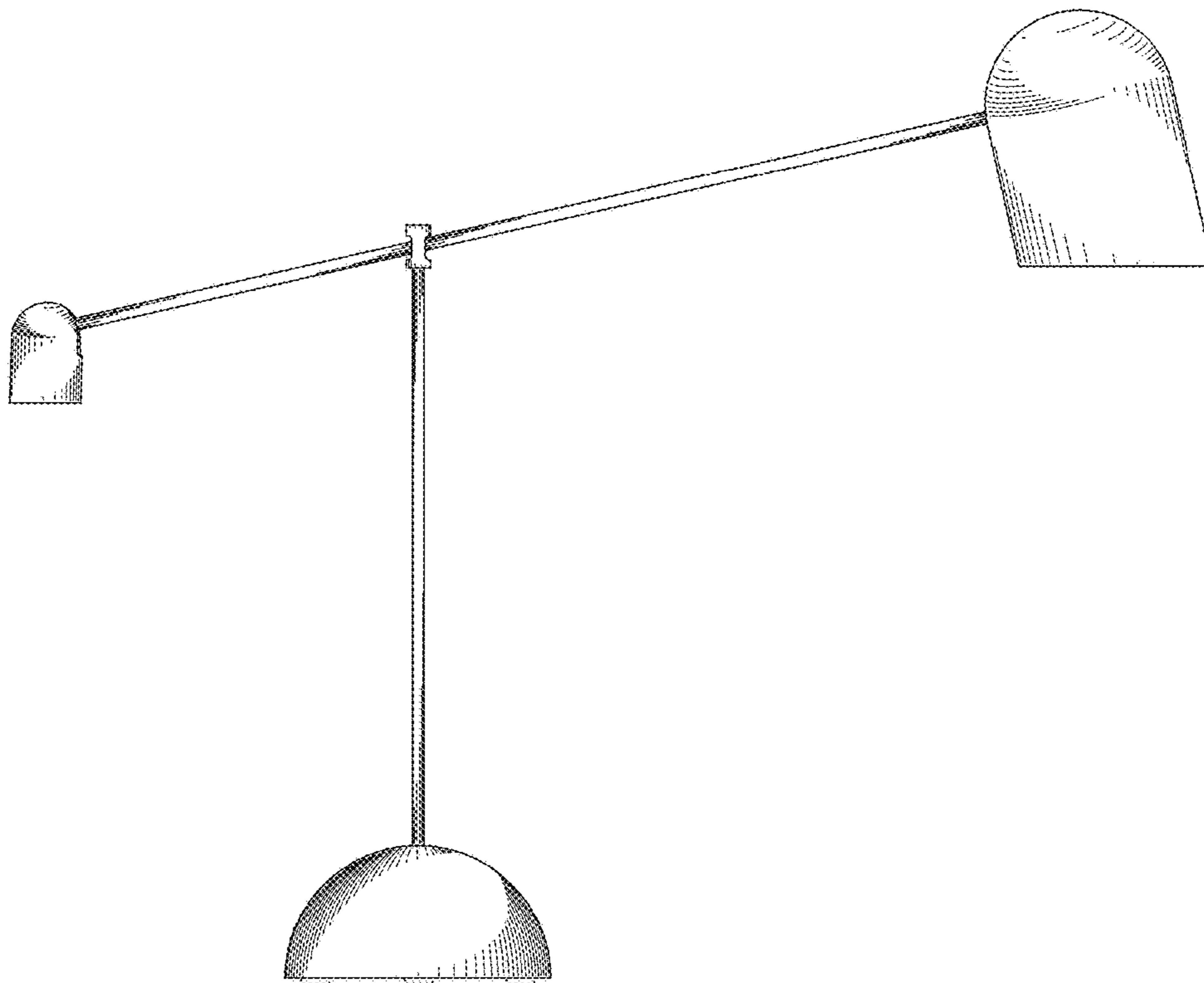


FIG. 4

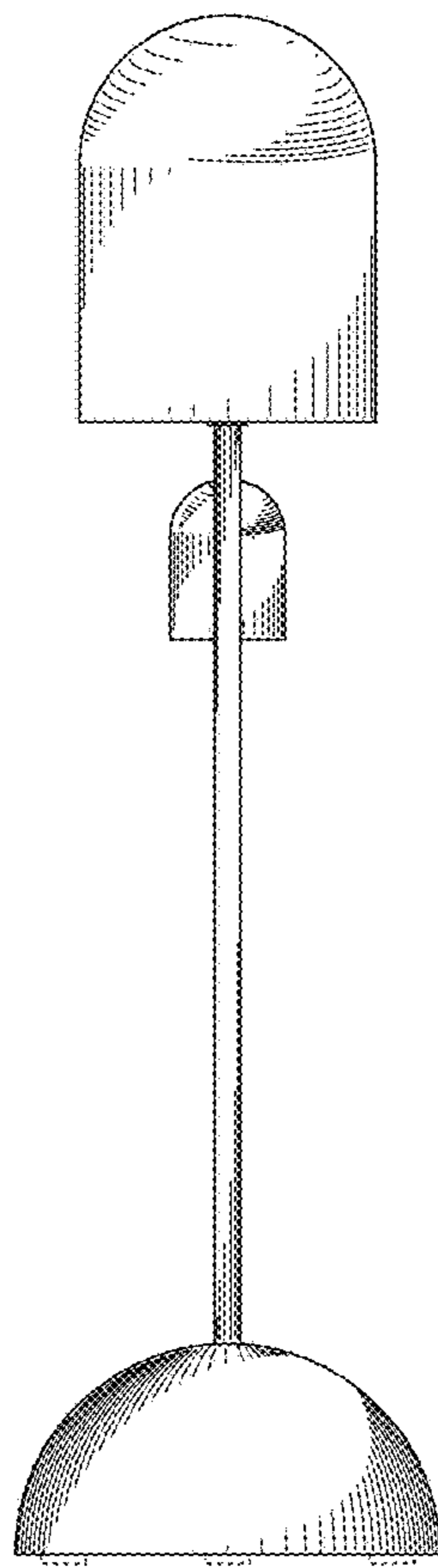


FIG. 5

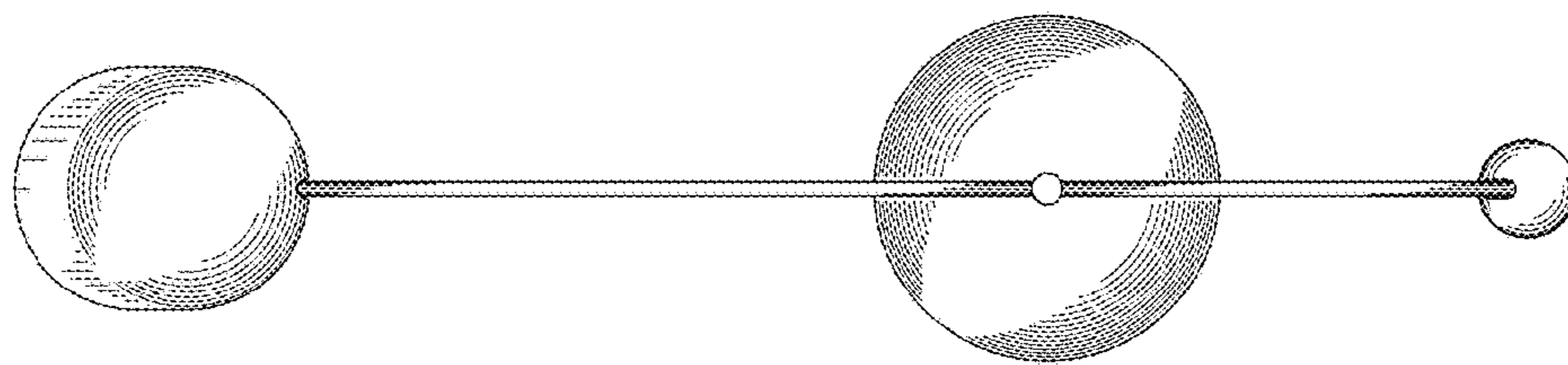


FIG. 6

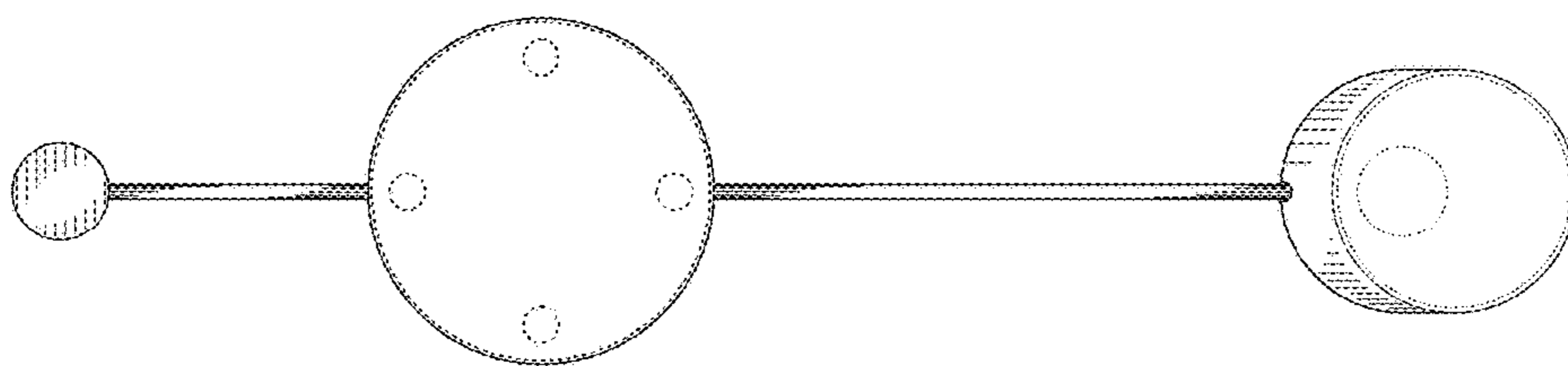


FIG. 7