



US00D824082S

(12) **United States Design Patent**  
**Brennenstuhl et al.**

(10) **Patent No.:** **US D824,082 S**  
(45) **Date of Patent:** **\*\* Jul. 24, 2018**

(54) **LUMINAIRE**

(71) Applicant: **Nimbus Group GmbH**, Stuttgart (DE)

(72) Inventors: **Dietrich Brennenstuhl**, Stuttgart (DE);  
**Rupert Kopp**, Berlin (DE)

(73) Assignee: **Nimbus Group GmbH**, Stuttgart (DE)

(\*\*) Term: **15 Years**

(21) Appl. No.: **29/593,039**

(22) Filed: **Feb. 6, 2017**

(30) **Foreign Application Priority Data**

Feb. 1, 2017 (EM) ..... 003734367

(51) **LOC (11) Cl.** ..... **26-03**

(52) **U.S. Cl.**  
USPC ..... **D26/107**

(58) **Field of Classification Search**

USPC ..... D26/1, 24, 61, 63, 65, 85, 93, 106, 107

CPC ..... F21V 21/14; F21V 15/01; F21V 14/02;

F21V 21/30; F21V 21/00; F21V 14/00;

F21S 8/00; F21S 8/003; F21S 8/043;

F21Y 2105/001

See application file for complete search history.

(56) **References Cited**

**U.S. PATENT DOCUMENTS**

D639,491 S \* 6/2011 Chen ..... D26/93

D650,937 S \* 12/2011 Horsley ..... D26/65

D744,693 S \* 12/2015 Kitts ..... D26/107  
D766,493 S \* 9/2016 Hoshikawa ..... D26/107  
D802,201 S \* 11/2017 Xu ..... D26/107

\* cited by examiner

*Primary Examiner* — Brian N. Vinson

(74) *Attorney, Agent, or Firm* — Reising Ethington P.C.

(57) **CLAIM**

The ornamental design for a luminaire, as shown and described.

**DESCRIPTION**

FIG. 1 is a perspective view of the luminaire;

FIG. 2 is a left side view thereof;

FIG. 3 is a right side view thereof;

FIG. 4 is a rear view thereof;

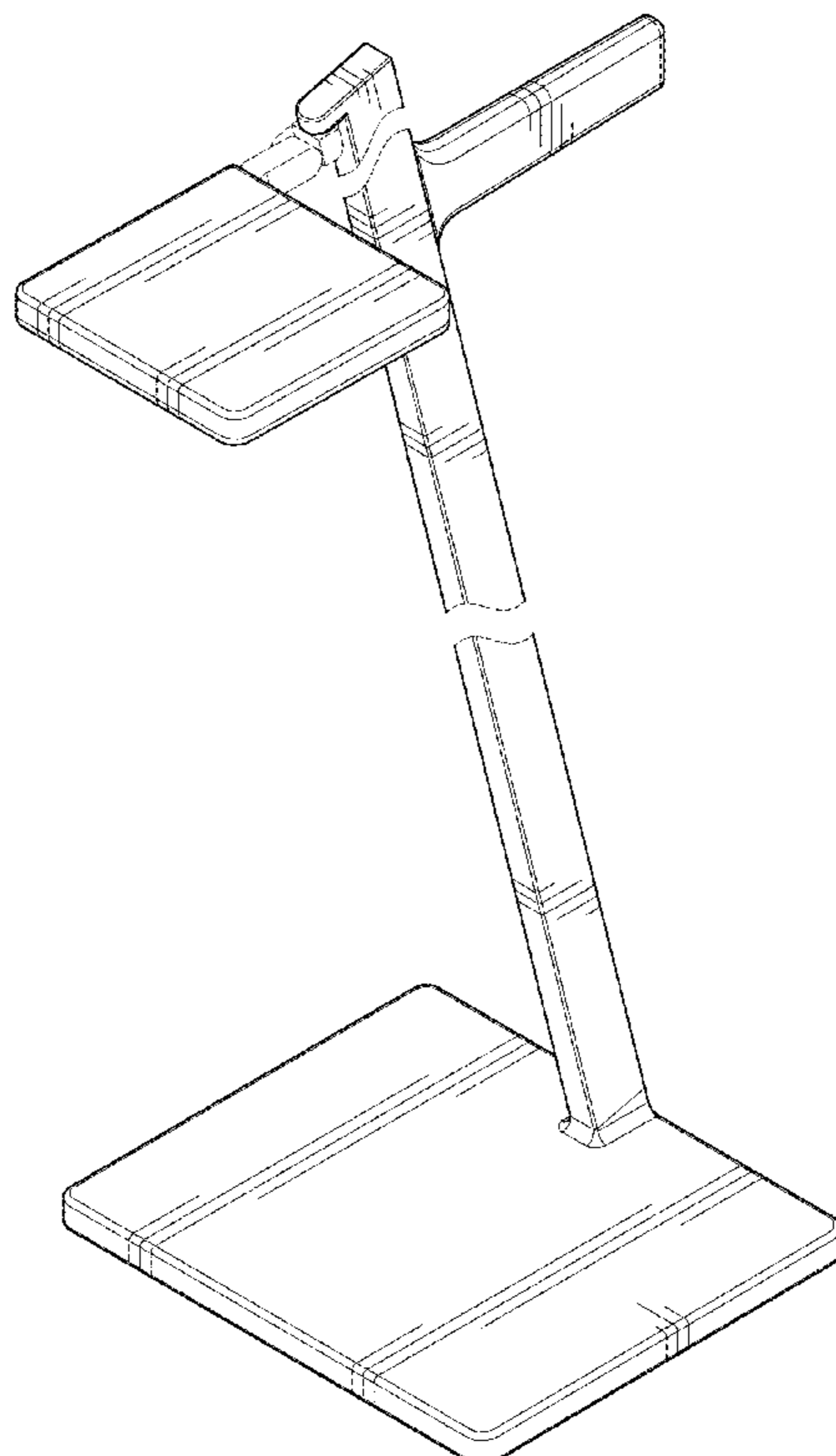
FIG. 5 is a front view thereof;

FIG. 6 is a top view thereof; and,

FIG. 7 is a bottom view thereof.

In the drawings, the portions shown by broken lines form no part of the claimed design. Further, a pair of breaks is shown along the extent of a body of the luminaire—namely, a first break residing between a base and a handle of the luminaire, and a second break residing between the handle and a light head of the luminaire. Each break is represented by two undulating broken lines, and the appearance of any portion of the luminaire between the undulating broken lines forms no part of the claimed design.

**1 Claim, 7 Drawing Sheets**



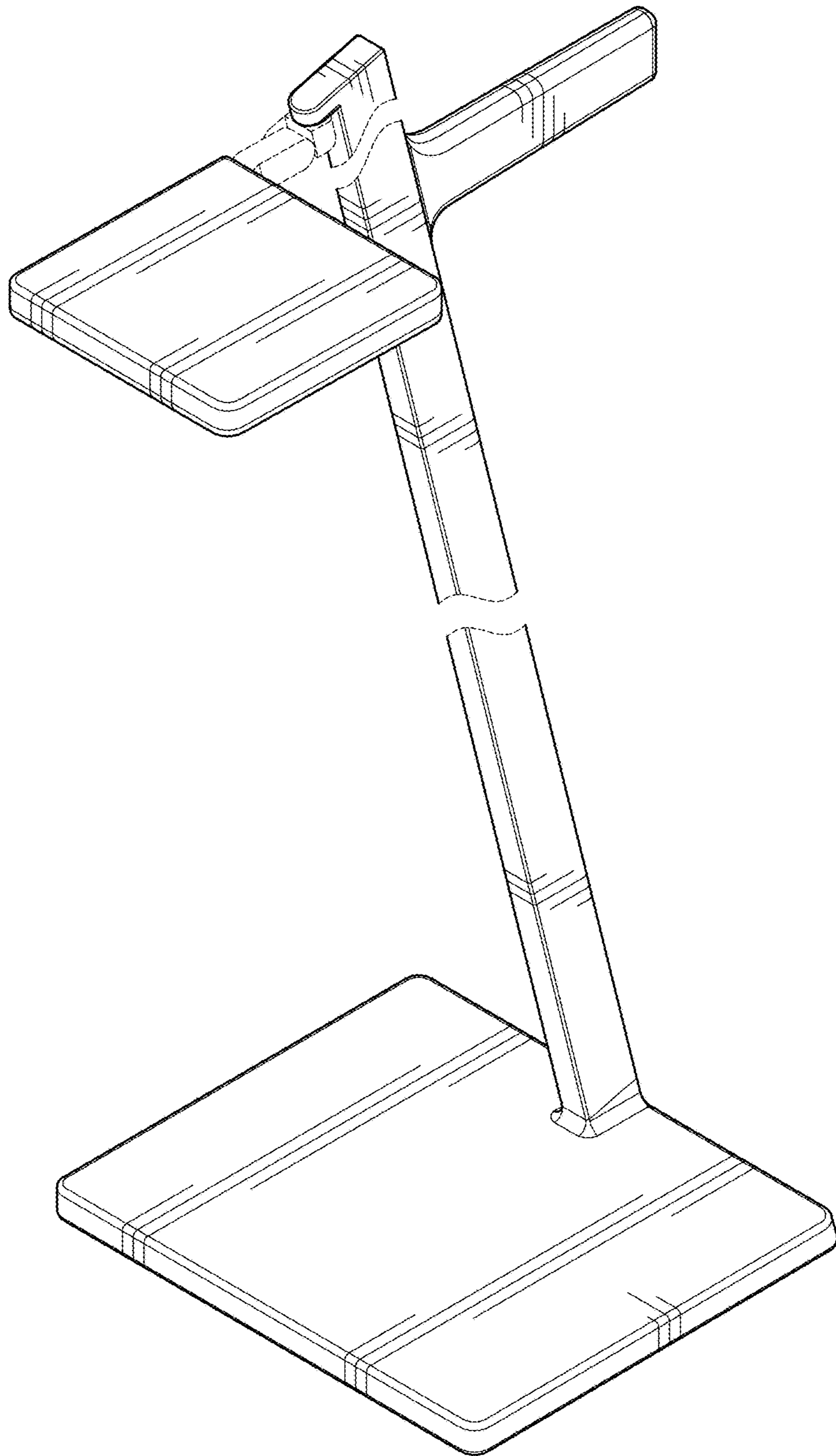


FIG. 1

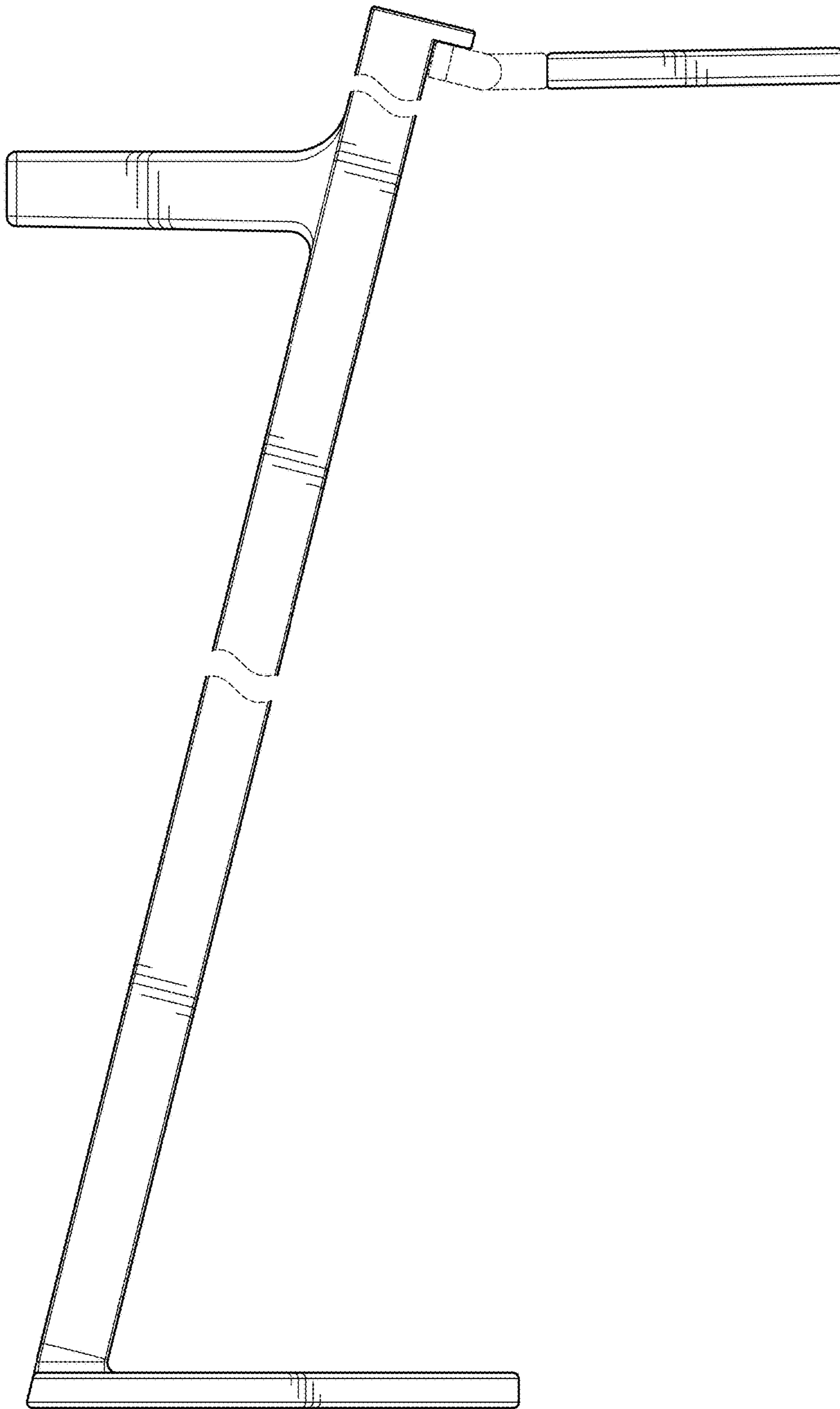


FIG. 2

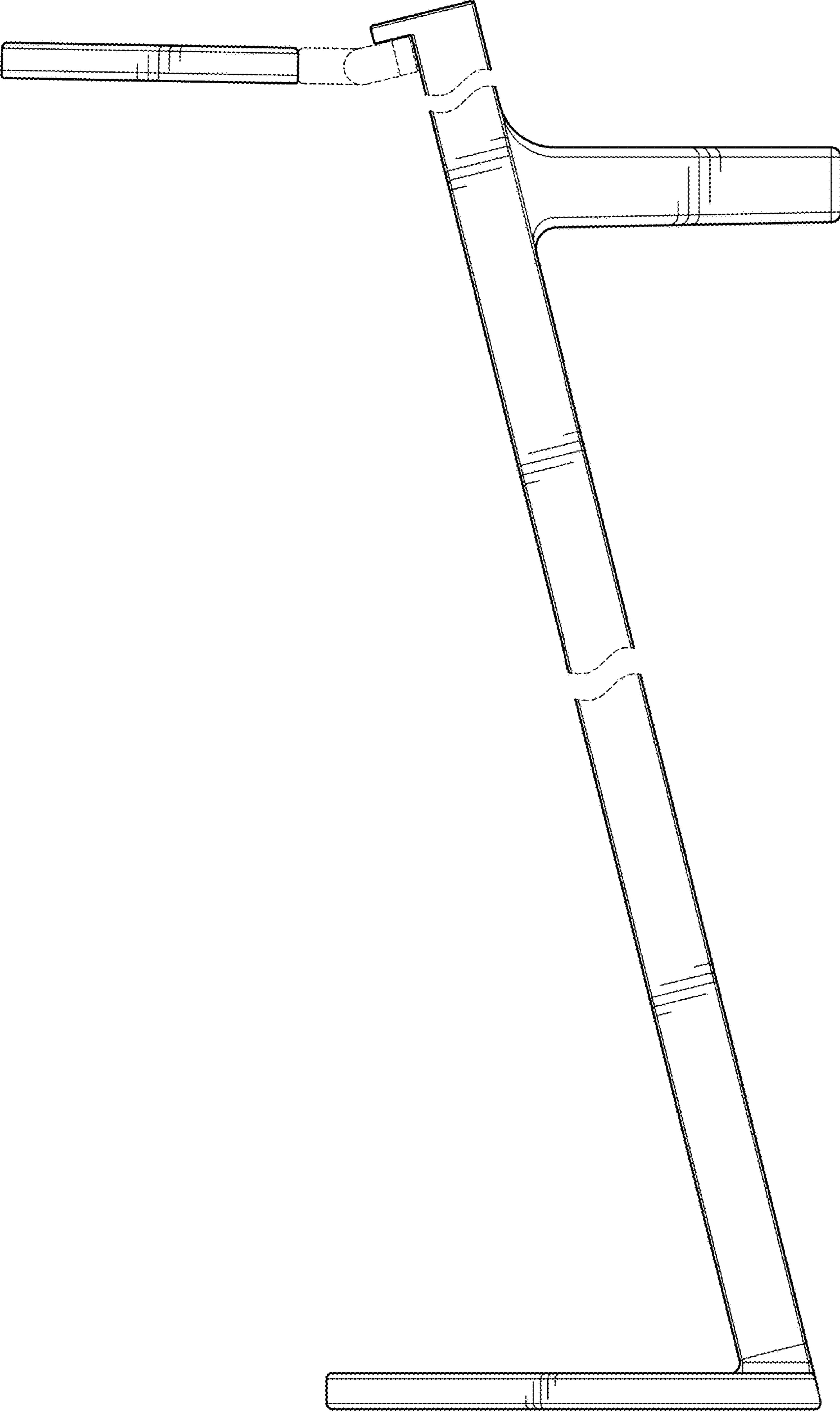


FIG. 3

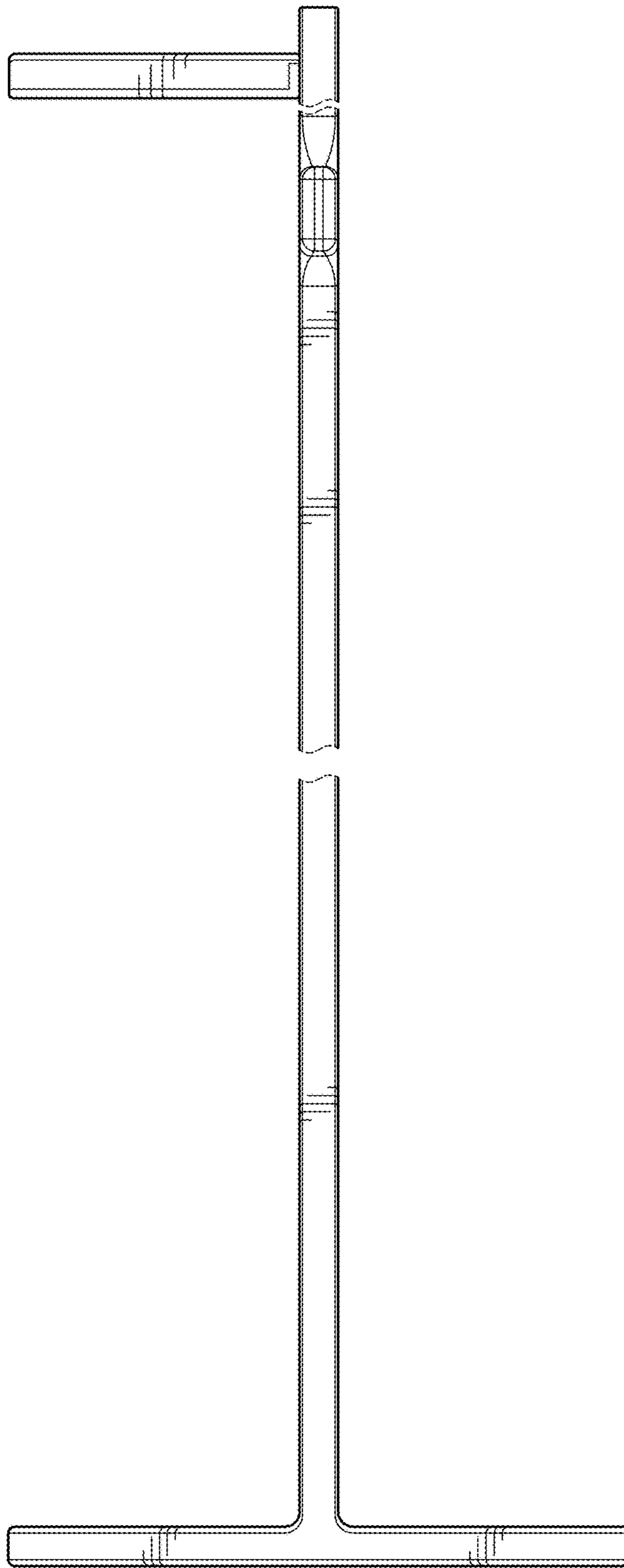


FIG. 4

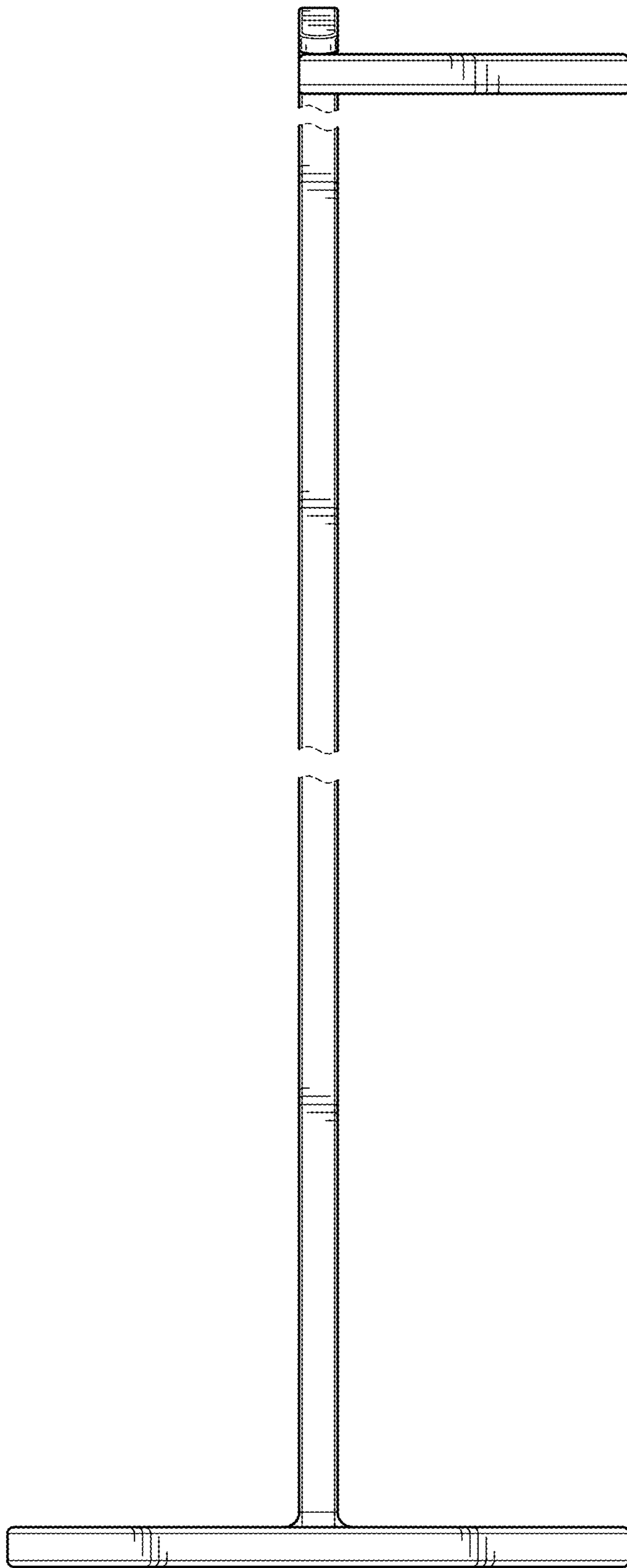


FIG. 5



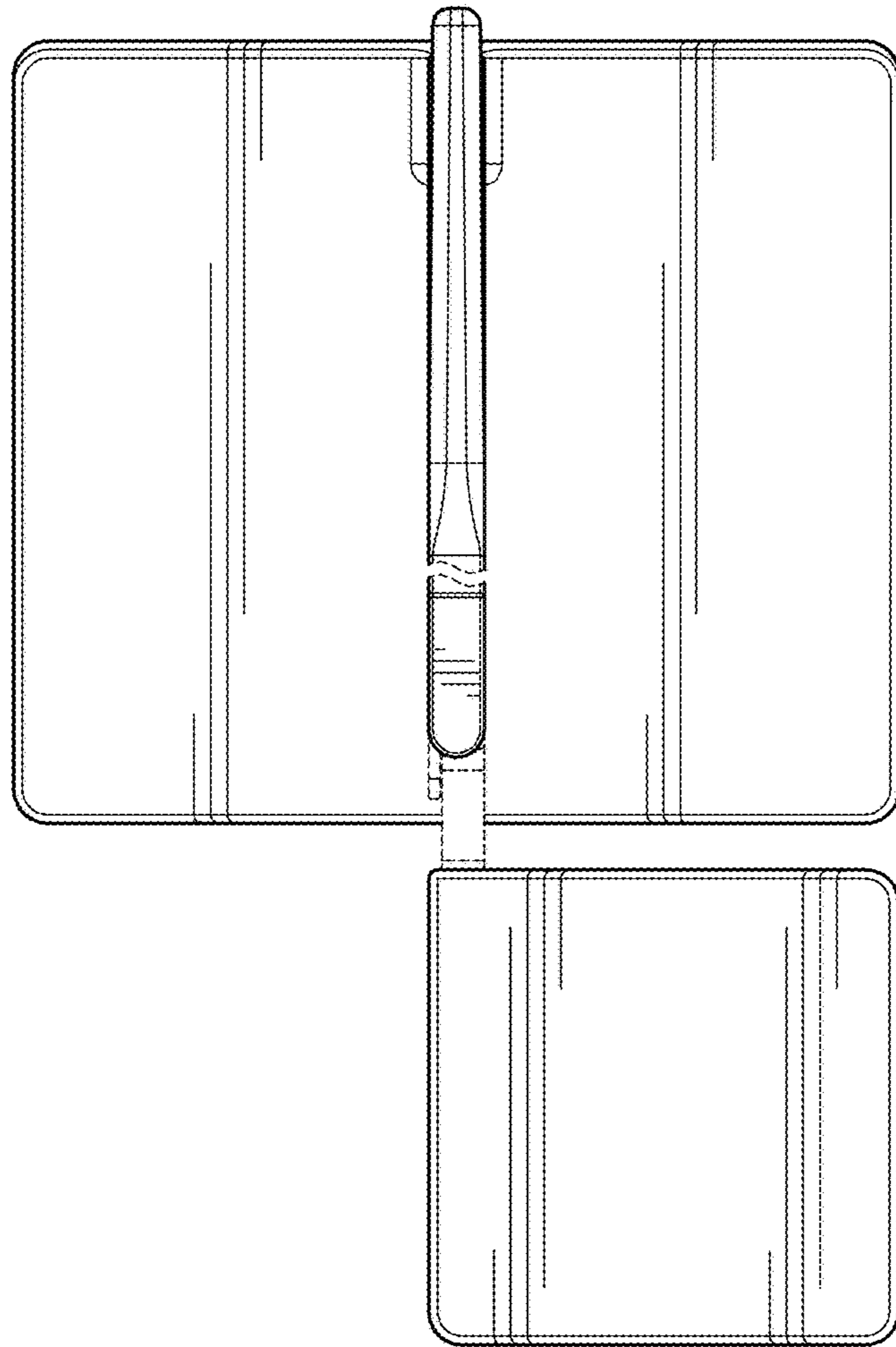


FIG. 6

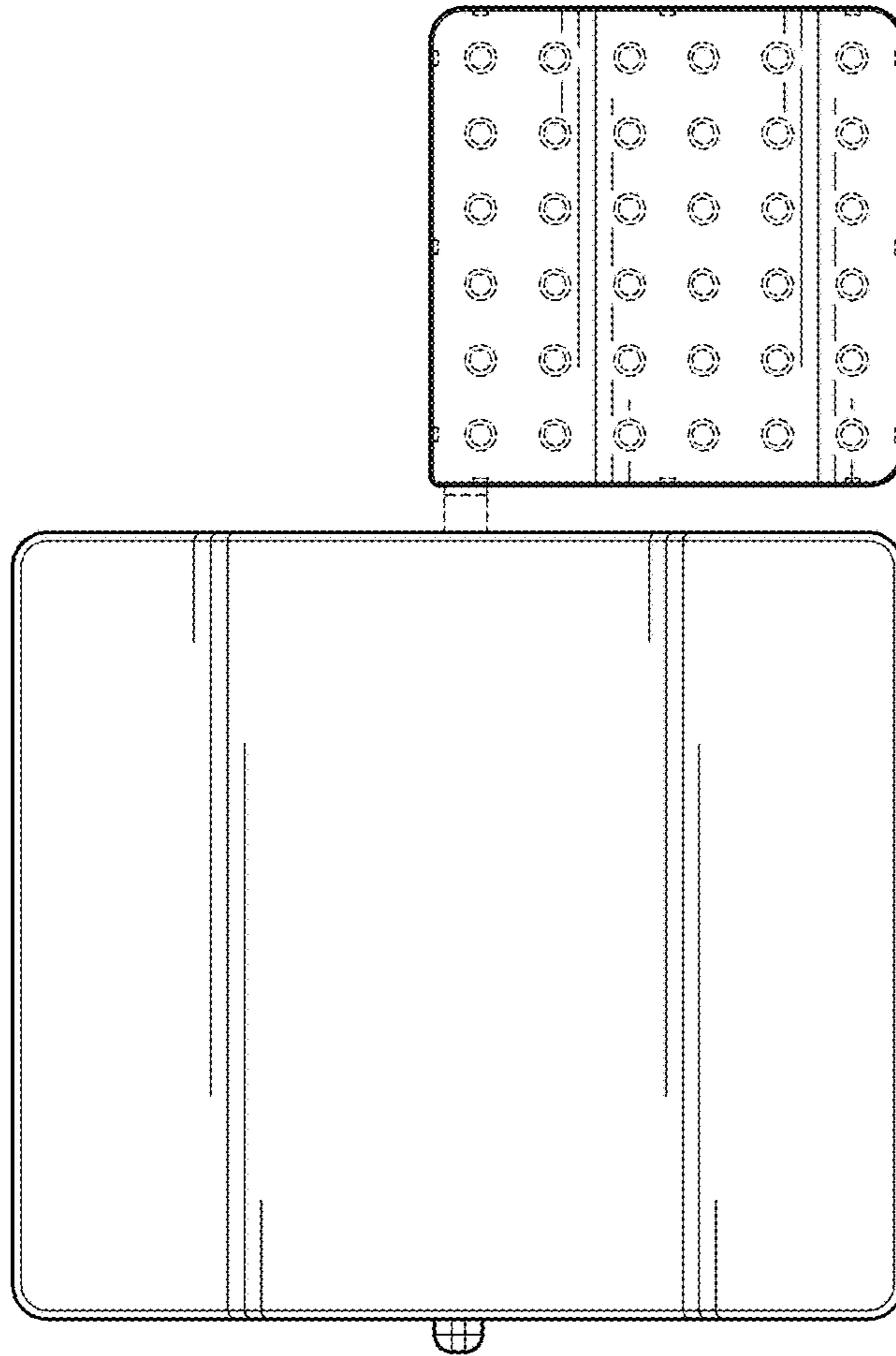


FIG. 7