



US00D824081S

(12) **United States Design Patent**
Zahn

(10) **Patent No.:** **US D824,081 S**

(45) **Date of Patent:** **** Jul. 24, 2018**

(54) **LIGHTING DEVICE**

D480,497 S * 10/2003 Lau Ting Yup D26/104
D786,485 S * 5/2017 Amato D26/106

(71) Applicant: **Karl Stefan Zahn**, Brooklyn, NY (US)

* cited by examiner

(72) Inventor: **Karl Stefan Zahn**, Brooklyn, NY (US)

Primary Examiner — Brian N. Vinson

(**) Term: **15 Years**

(74) *Attorney, Agent, or Firm* — Timothy W. Menasco,
Esq.; Harter Secrest & Emery LLP

(21) Appl. No.: **29/622,278**

(22) Filed: **Oct. 16, 2017**

(57) **CLAIM**

Related U.S. Application Data

The ornamental design for a lighting device, as shown and described.

(62) Division of application No. 29/562,853, filed on Apr. 29, 2016, now Pat. No. Des. 803,467.

(51) **LOC (11) Cl.** **26-03**

(52) **U.S. Cl.**
USPC **D26/106**

DESCRIPTION

(58) **Field of Classification Search**
USPC D26/24, 93, 95, 104, 106, 110, 108, 124
CPC F21S 6/00; F21S 6/002; F21S 6/004; F21S
6/008; F21S 8/08; F21V 21/00; F21V
21/02; F21W 2131/30
See application file for complete search history.

FIG. 1 is a front perspective view of a lighting device in accordance with the present invention;
FIG. 2 is a front view thereof;
FIG. 3 is a right side view thereof;
FIG. 4 is a rear view thereof;
FIG. 5 is a left side view thereof;
FIG. 6 is a top view thereof; and,
FIG. 7 is a bottom view thereof.

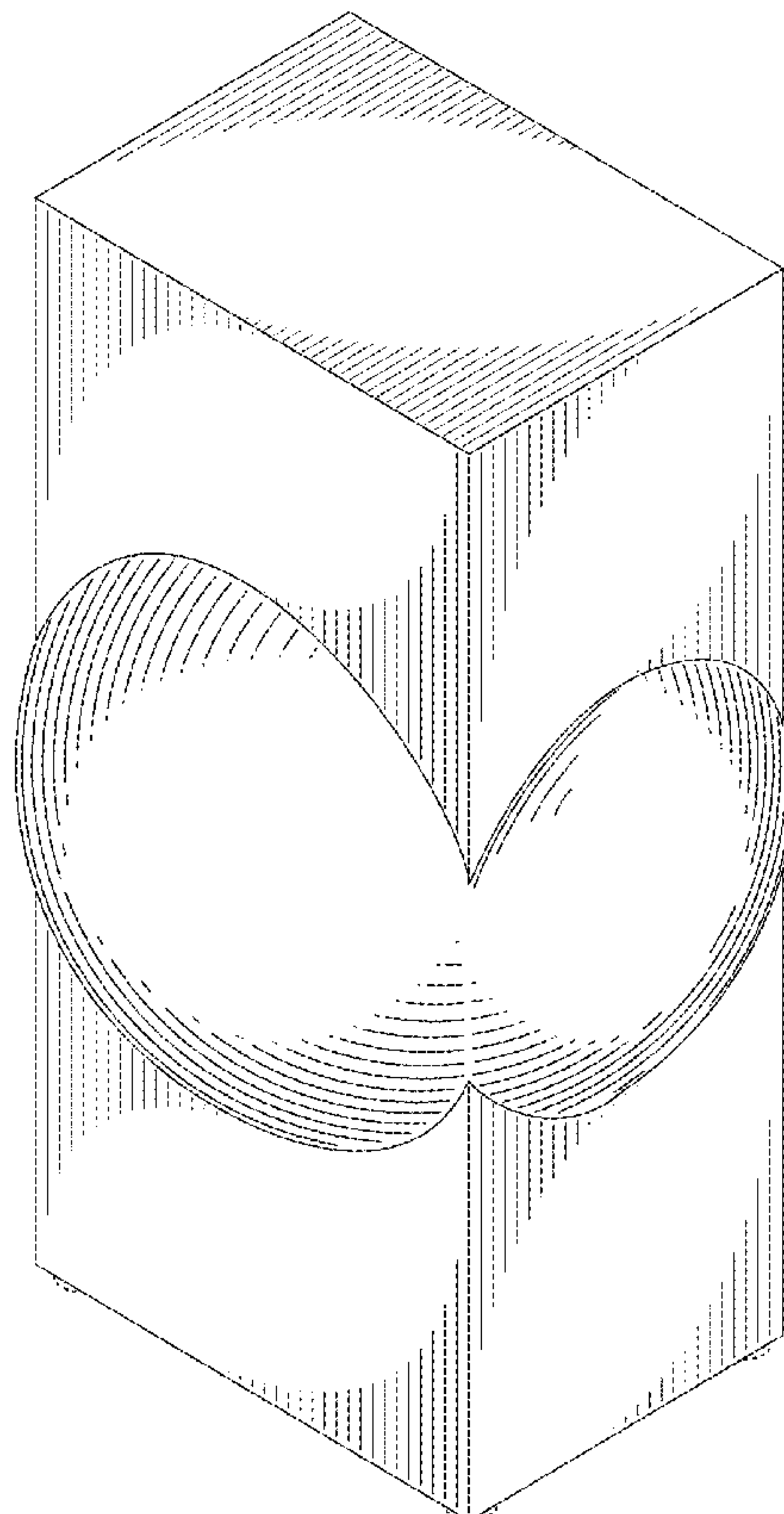
(56) **References Cited**

The broken line disclosure represents portions of the lighting device which form no part of the claimed design.

U.S. PATENT DOCUMENTS

D200,172 S * 1/1965 Beck D26/106
D302,867 S * 8/1989 Dennis D26/110

1 Claim, 7 Drawing Sheets



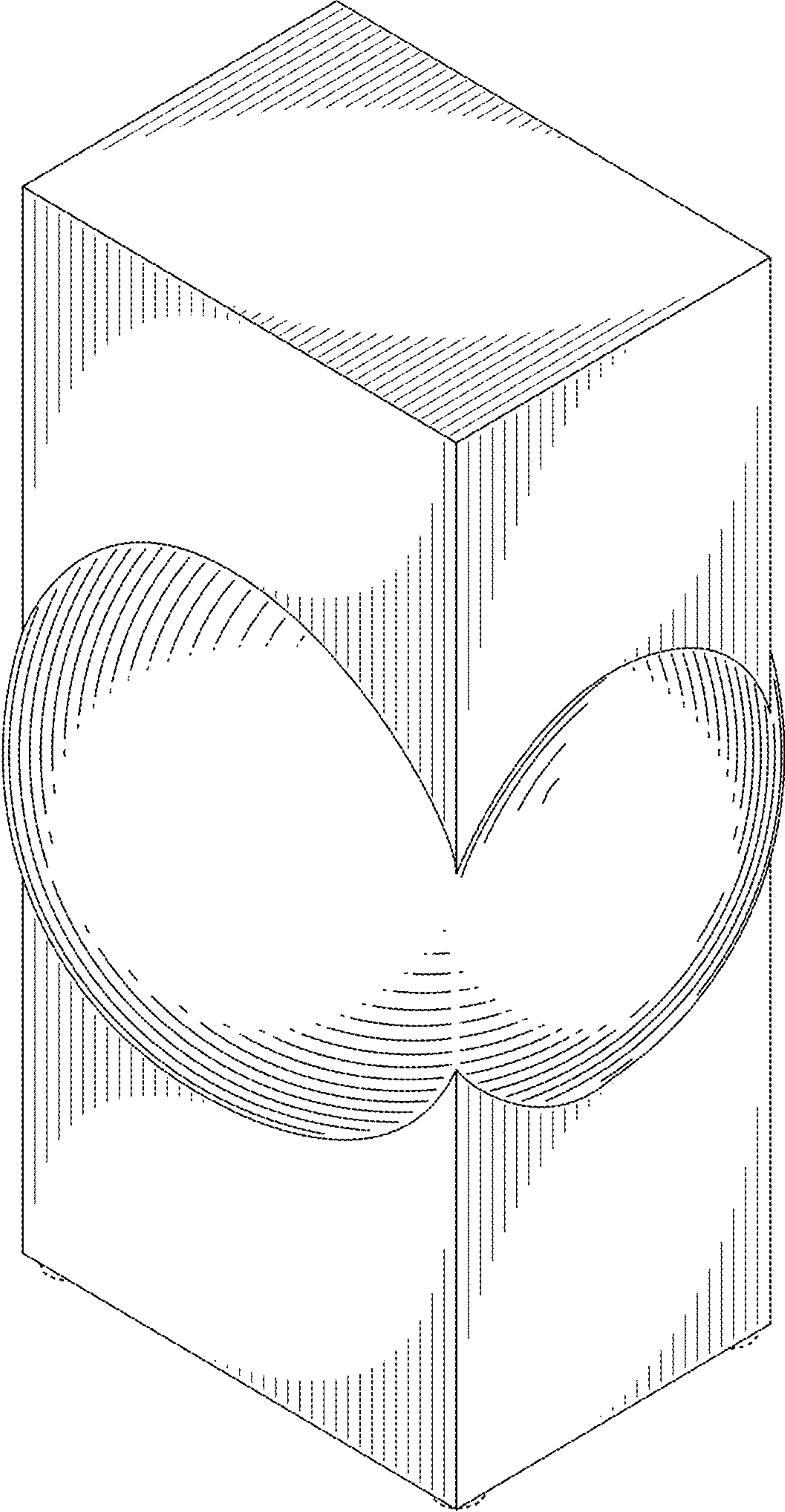


FIG. 1

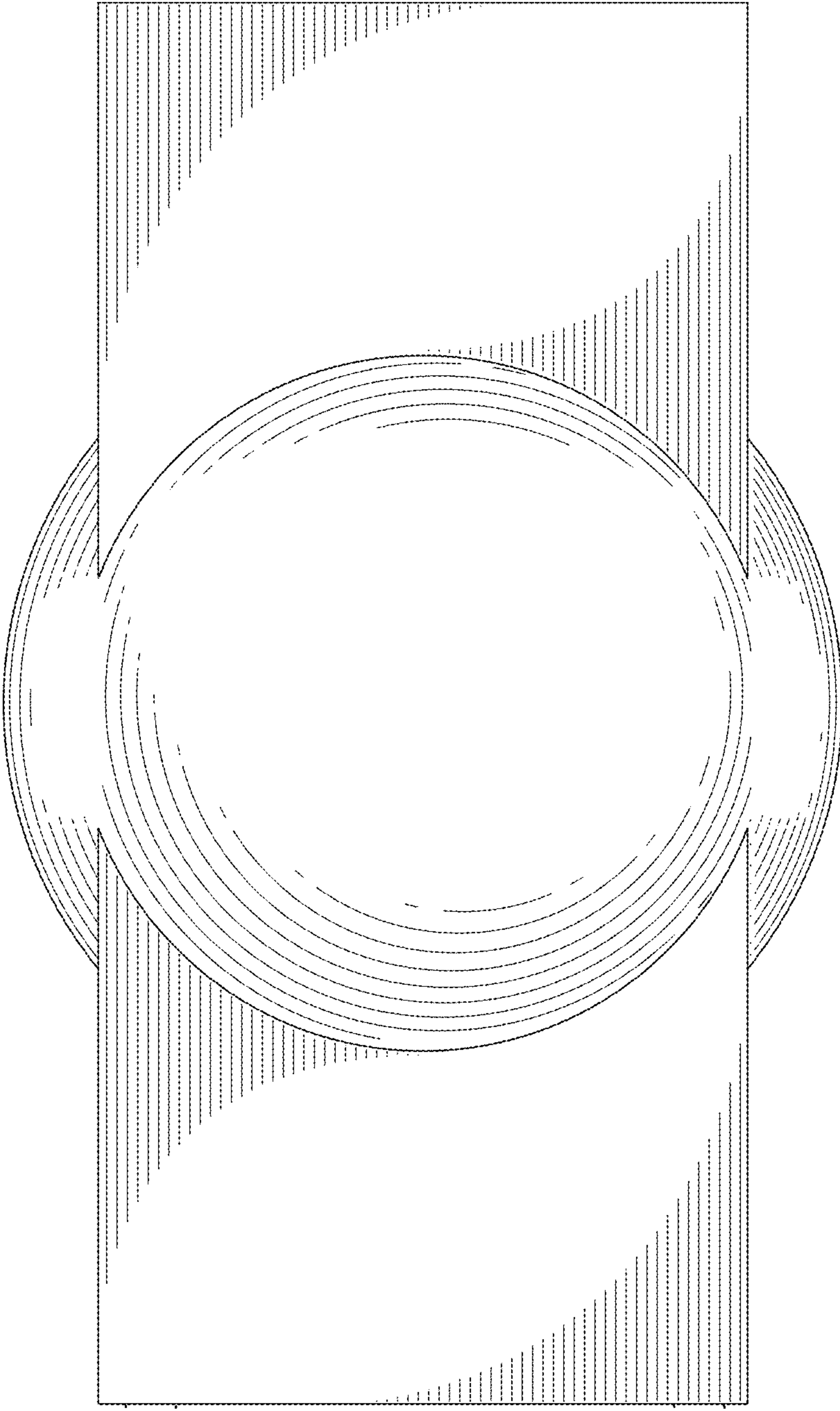


FIG. 2

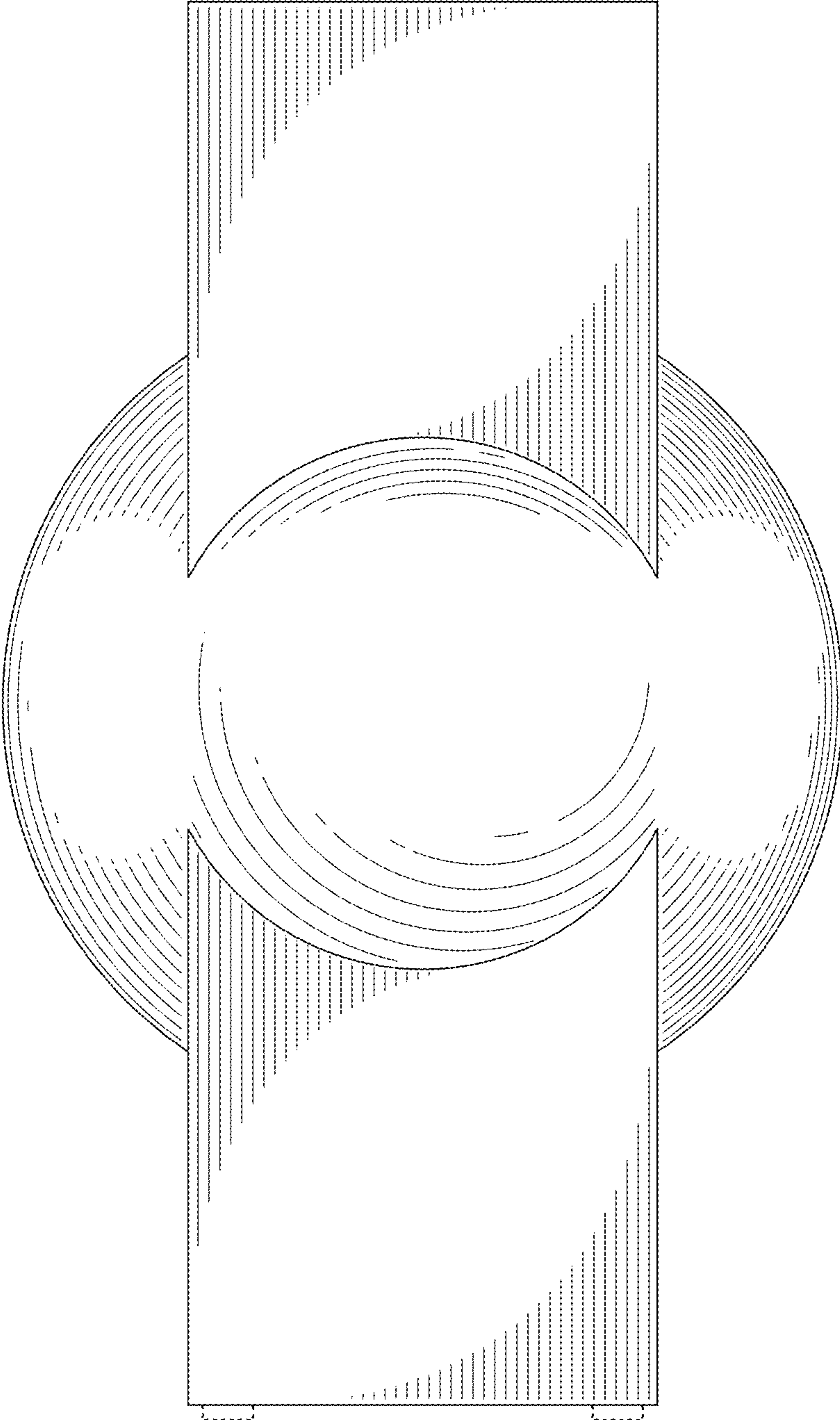


FIG. 3

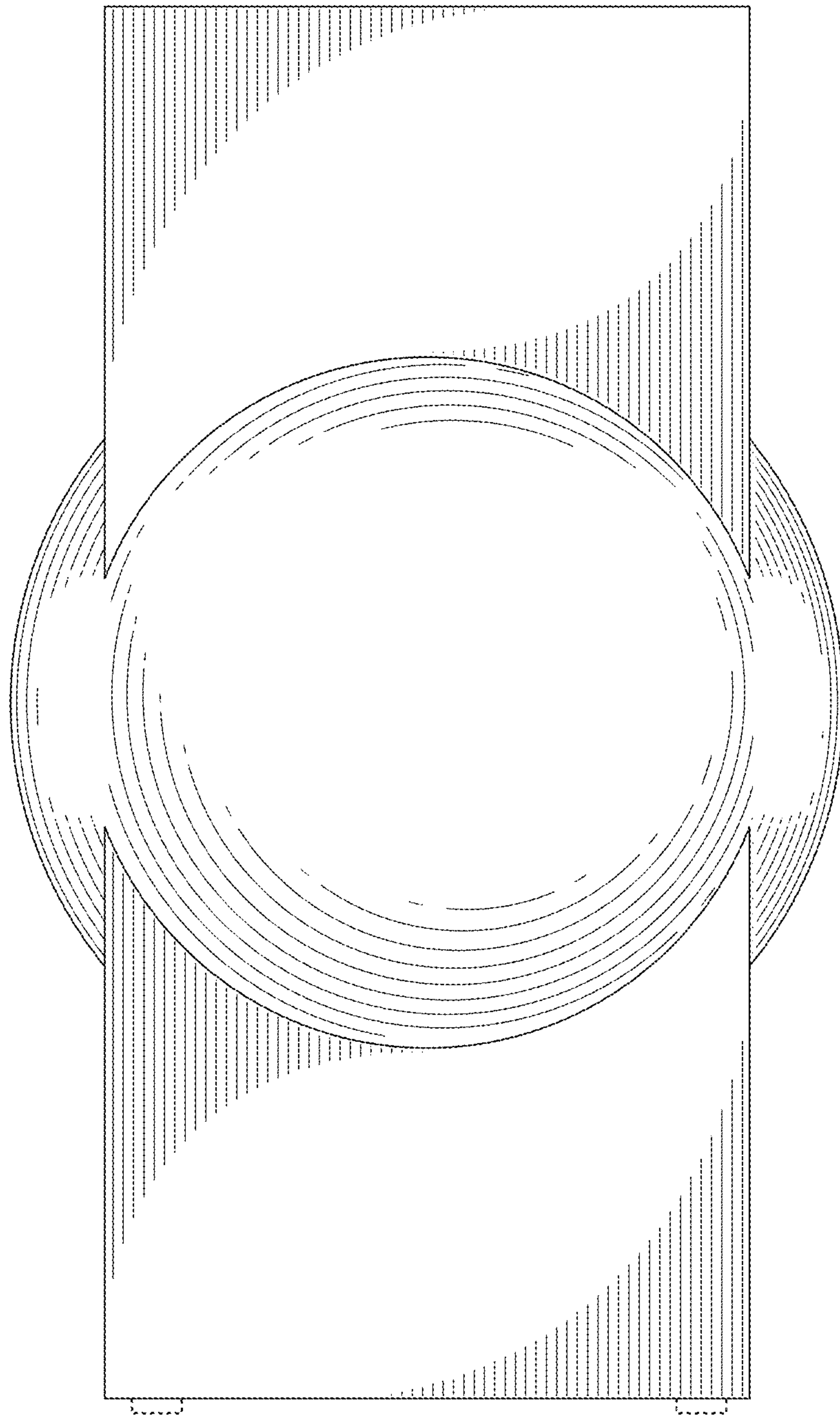


FIG. 4

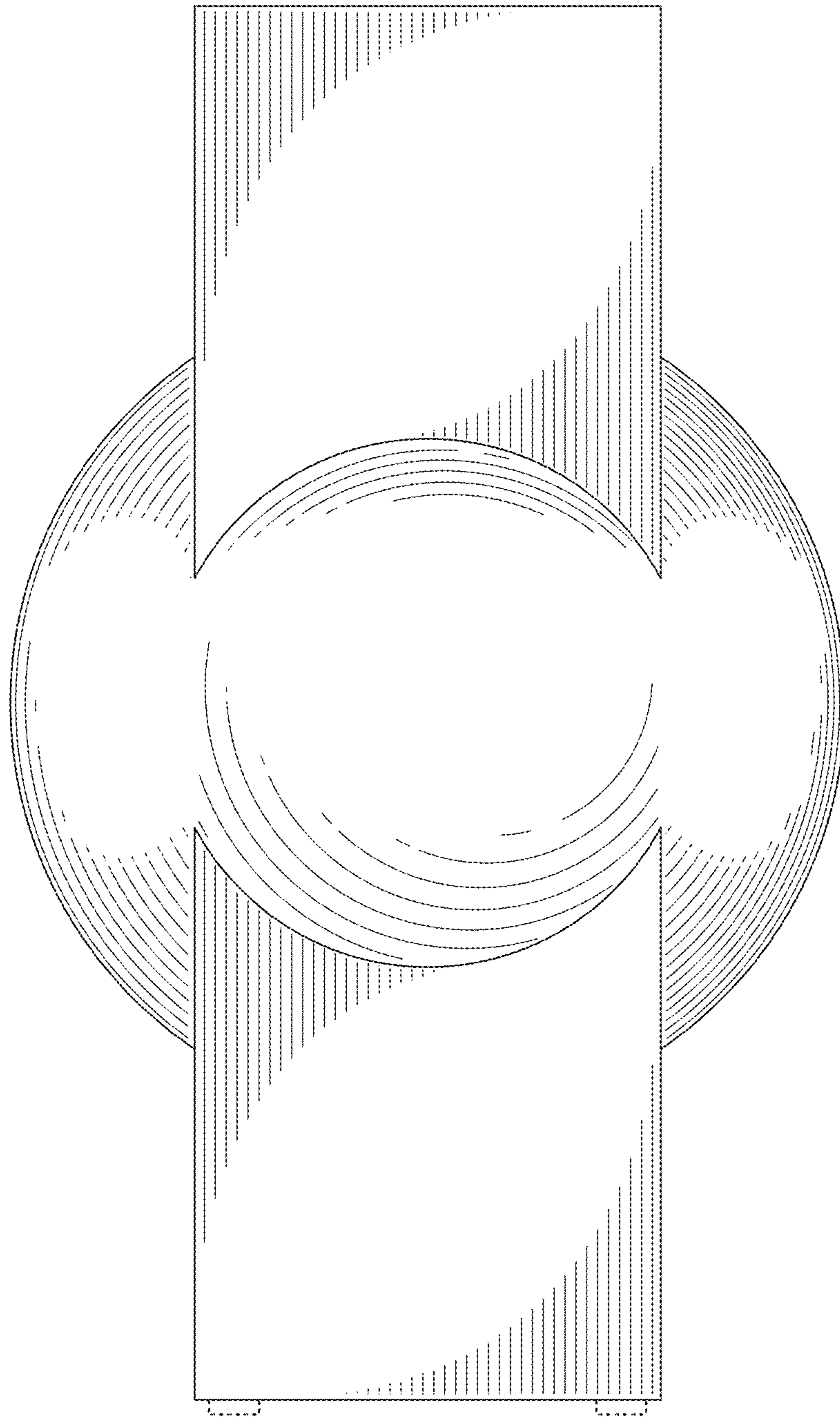


FIG. 5

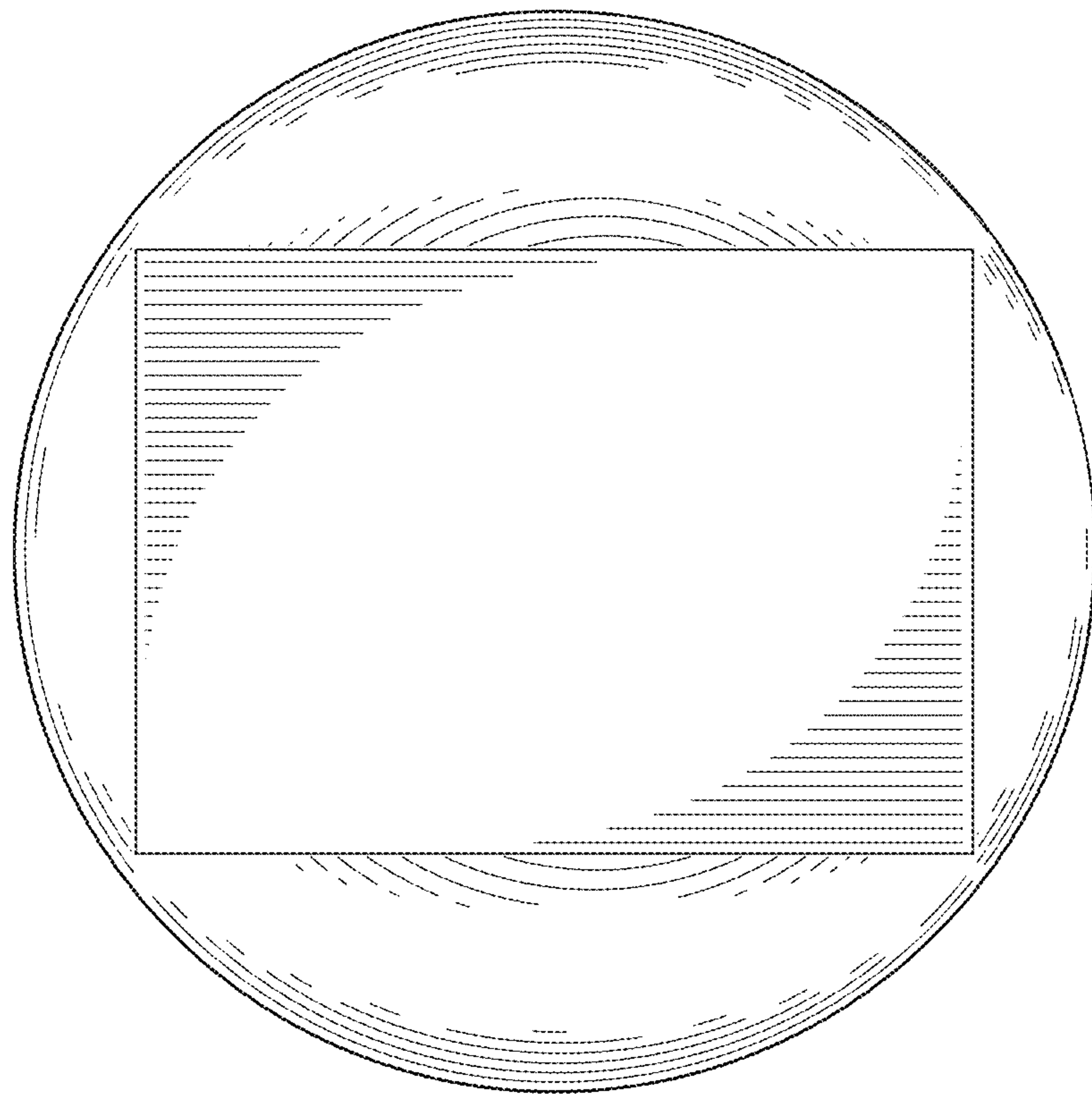


FIG. 6

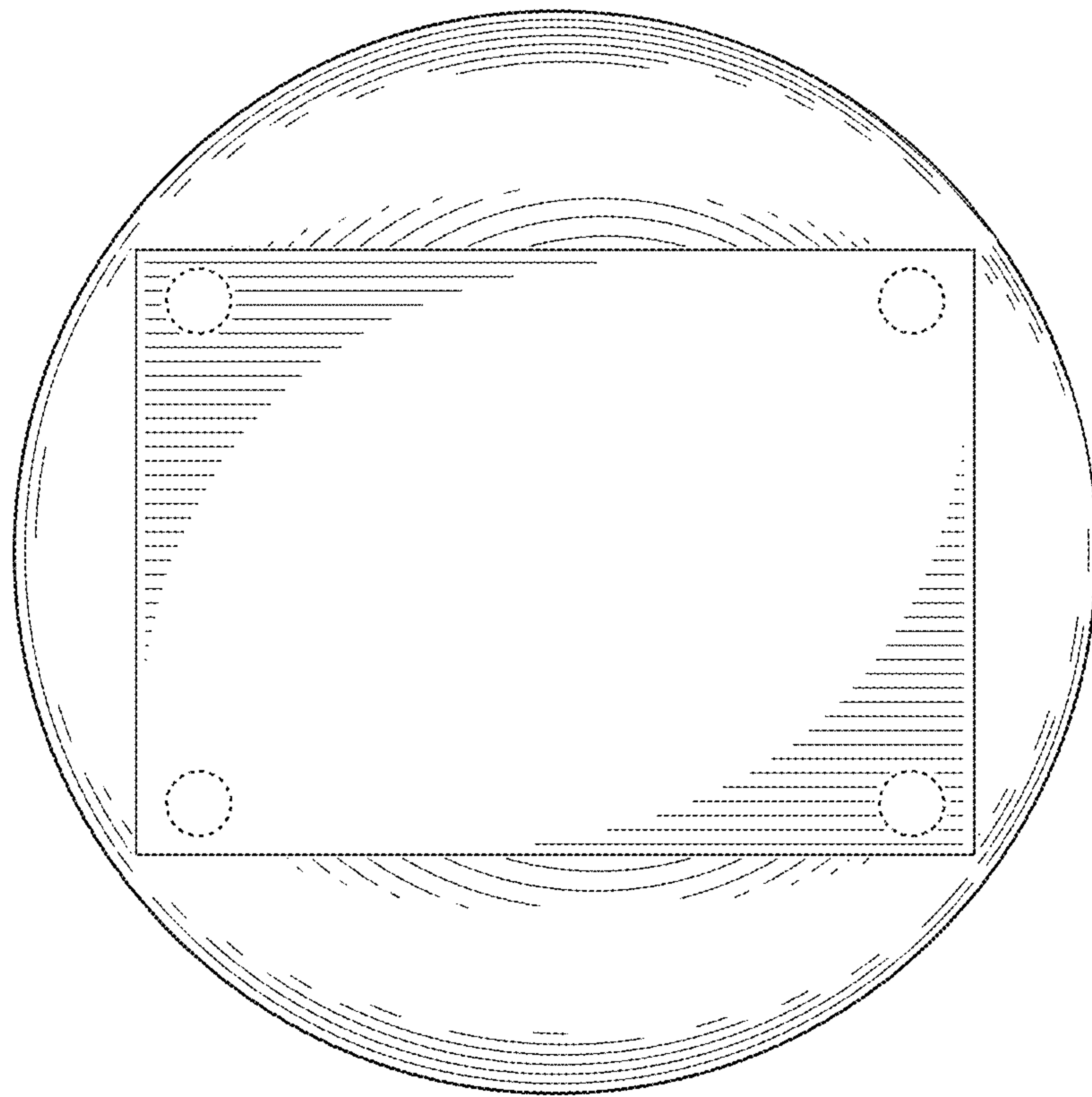


FIG. 7