



US00D824079S

(12) **United States Design Patent**  
**Maxik et al.**

(10) **Patent No.:** **US D824,079 S**  
(45) **Date of Patent:** **\*\* Jul. 24, 2018**

(54) **LOW PROFILE LIGHT**

(71) Applicant: **Lighting Science Group Corporation**,  
Cocoa Beach, FL (US)

(72) Inventors: **Fredric S. Maxik**, Cocoa Beach, FL  
(US); **Raymond A. Reynolds**, Satellite  
Beach, FL (US); **Addy S. Widjaja**,  
Palm Bay, FL (US); **Mark Penley**  
**Boomgaarden**, Cary, NC (US); **Robert**  
**Rafael Soler**, San Marcos, CA (US);  
**James L. Schellack**, Skiatook, OK  
(US)

(\*\*) Term: **15 Years**

(21) Appl. No.: **29/607,675**

(22) Filed: **Jun. 15, 2017**

**Related U.S. Application Data**

(60) Division of application No. 29/579,549, filed on Sep.  
30, 2016, now Pat. No. Des. 797,980, which is a  
continuation of application No. 14/492,348, filed on  
Sep. 22, 2014, now Pat. No. 9,739,470, which is a  
continuation of application No. 14/134,884, filed on  
Dec. 19, 2013, now Pat. No. 8,967,844, which is a  
continuation of application No. 13/476,388, filed on  
(Continued)

(51) **LOC (11) Cl.** ..... **26-03**

(52) **U.S. Cl.**  
USPC ..... **D26/89**

(58) **Field of Classification Search**  
USPC ..... D26/37, 72, 74, 76, 80, 85, 89, 90  
CPC ..... F21S 8/03; F21S 8/033; F21S 8/04; F21S  
8/06; F21S 8/061; F21S 8/063; F21W  
2131/301; F21V 21/08; F21V 21/0808;  
F21V 21/096; F21V 21/0965

See application file for complete search history.

(56) **References Cited**

U.S. PATENT DOCUMENTS

2,255,431 A \* 9/1941 Marden ..... C09K 11/025  
220/2.1 R  
D386,805 S \* 11/1997 Bonnette ..... D26/74  
(Continued)

OTHER PUBLICATIONS

Halers H2 Pro 550/700 LED Downlight Round Brushed Steel  
Bezel. Found online at Fastlec Online Electrical Supply/fastlec.co.  
uk, visited Feb. 12, 2018. (Year: 2018).\*  
(Continued)

*Primary Examiner* — Clare E Heflin

(74) *Attorney, Agent, or Firm* — Widerman Malek, PL;  
Mark Malek; Daniel C. Pierron

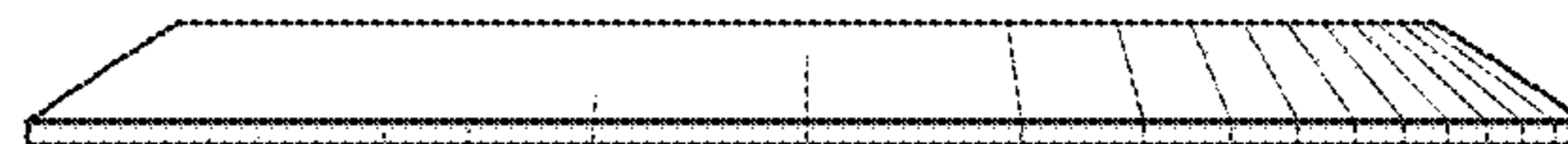
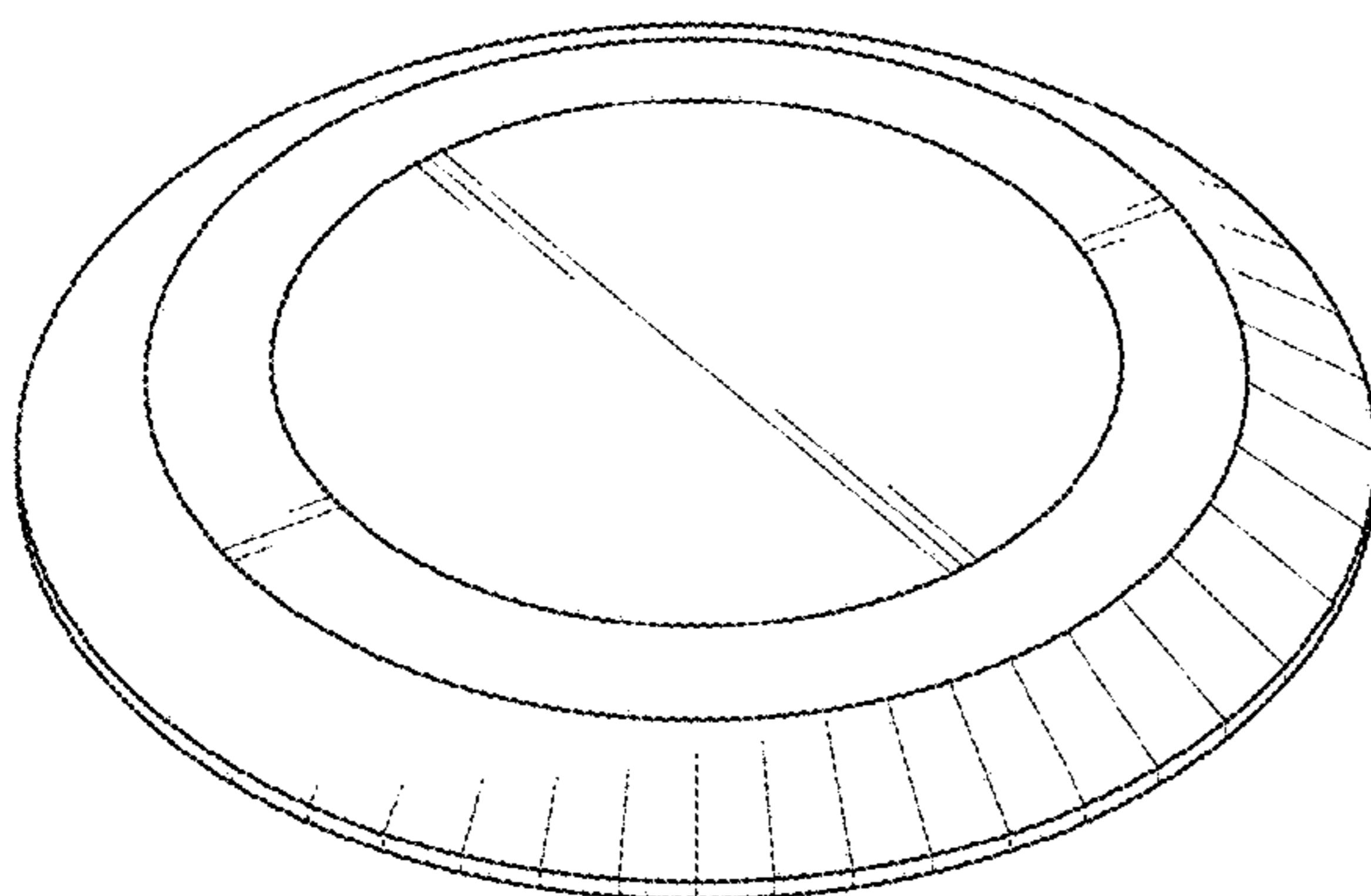
(57) **CLAIM**

The ornamental design for a low profile light, as shown and  
described.

**DESCRIPTION**

FIG. 1 is a perspective view of a low profile light according  
to an embodiment of the present invention.  
FIG. 2 is a top plan view of the low profile light illustrated  
in FIG. 1.  
FIG. 3 is a bottom plan view of the low profile light  
illustrated in FIG. 1.  
FIG. 4 is a side elevation of the low profile light illustrated  
in FIG. 1.  
FIG. 5 is a perspective view of a low profile light according  
to an embodiment of the present invention.  
FIG. 6 is a top plan view of the low profile light illustrated  
in FIG. 5.  
FIG. 7 is a bottom plan view of the low profile light  
illustrated in FIG. 5; and,  
FIG. 8 is a side elevation view of the low profile light  
illustrated in FIG. 5.  
The broken lines depict elements of the low profile light that  
do not form a claimed feature of the present invention.

**1 Claim, 4 Drawing Sheets**



**Related U.S. Application Data**

May 21, 2012, now Pat. No. 8,672,518, which is a continuation-in-part of application No. 12/775,310, filed on May 6, 2010, now Pat. No. 8,201,968.

(56)

**References Cited**

U.S. PATENT DOCUMENTS

D469,211	S *	1/2003	Homann	.....	D26/118
D511,020	S *	10/2005	Egawa	.....	D26/74
D601,744	S *	10/2009	Sakuma	.....	D26/89
D604,008	S *	11/2009	Soderman	.....	D26/89
7,722,227	B2 *	5/2010	Zhang	.....	F21S 8/026 362/147
7,950,832	B2 *	5/2011	Tanaka	.....	F21V 5/04 362/311.02
8,201,968	B2 *	6/2012	Maxik	.....	F21S 8/026 362/147
9,410,679	B2 *	8/2016	Hoetzi	.....	F21V 17/164
D770,076	S *	10/2016	Li	.....	D26/89
D797,980	S *	9/2017	Maxik	.....	D26/89
2008/0247160	A1 *	10/2008	Jiang	.....	A47B 97/00 362/227

2009/0086474	A1 *	4/2009	Chou	.....	F21S 8/026 362/230
2010/0202136	A1 *	8/2010	Vittozzi	.....	B60Q 1/2615 362/183
2010/0208474	A1 *	8/2010	Hancock	.....	F21K 9/00 362/375
2012/0262921	A1 *	10/2012	Boomgaarden	.....	F21S 8/026 362/249.02
2016/0282539	A1 *	9/2016	Li	.....	G02B 6/0038
2017/0159925	A1 *	6/2017	Boomgaarden	.....	F21V 29/71
2017/0175960	A1 *	6/2017	Parres	.....	F21V 21/02
2017/0307202	A1 *	10/2017	Maxik	.....	F21K 9/235

OTHER PUBLICATIONS

Kichler LED Downlight Model No. 43855WHLED30T/ Found at build.com, visited Feb. 12, 2018. (Year: 2018).\*

LED Undercabinet Puck Light from AmerTac, Item # LED13HBCC. Found at amertac.com visited Feb. 5, 2018. (Year: 2018).\*

WAC Lighting fixture model No. FM-616-930-WT from build.com visited Feb. 12, 2018. (Year: 2018).\*

\* cited by examiner

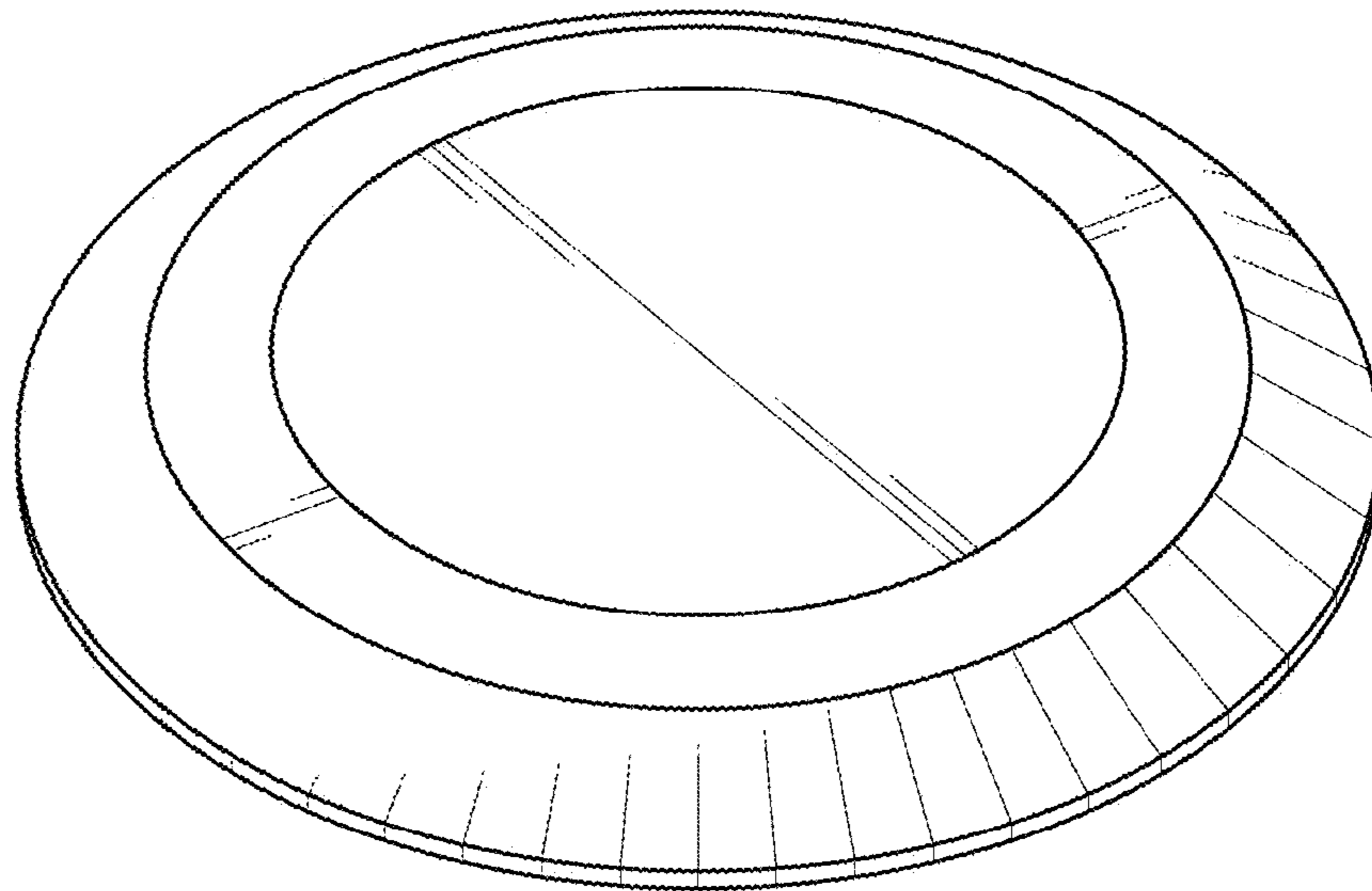


FIG. 1

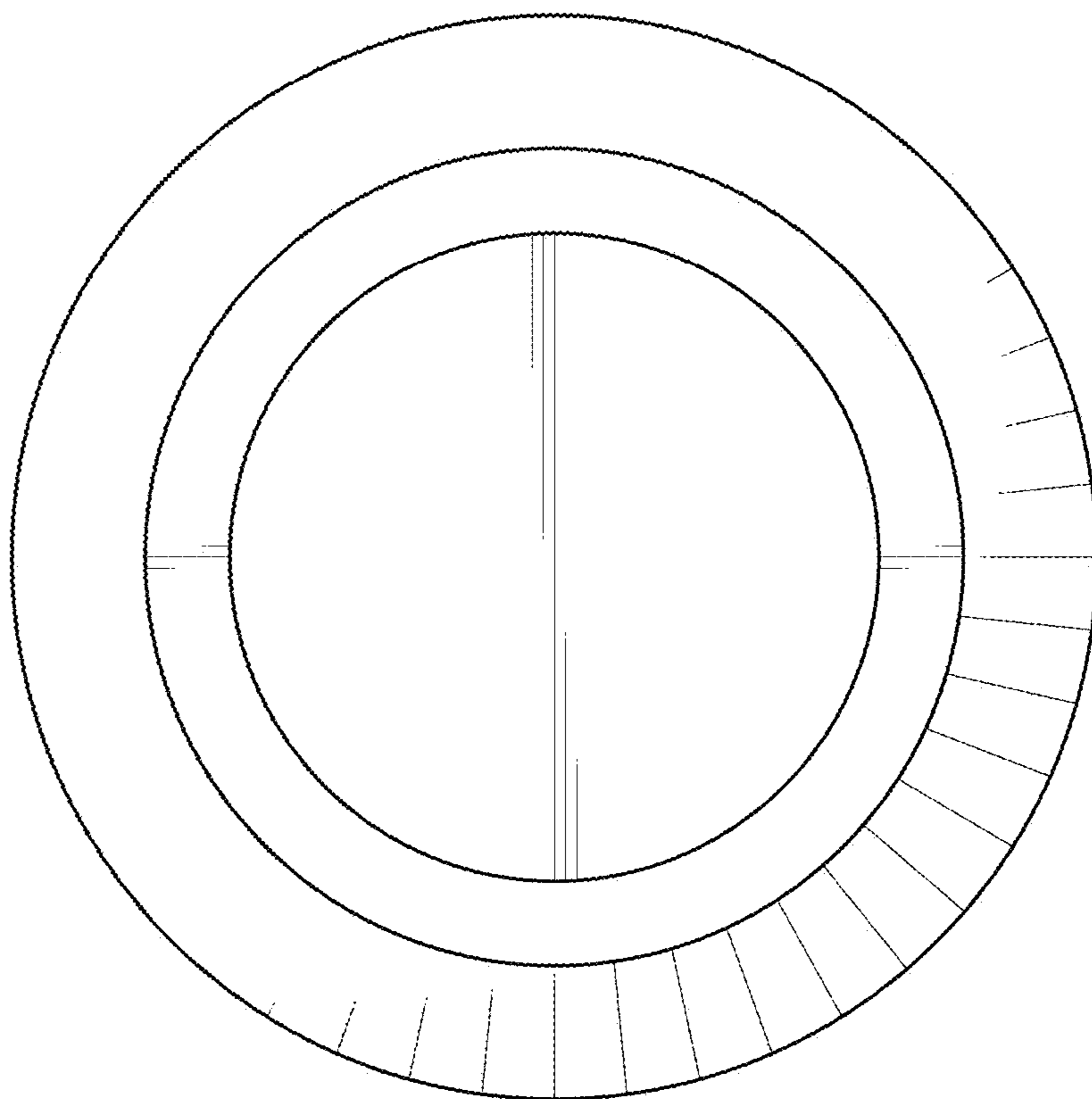


FIG. 2

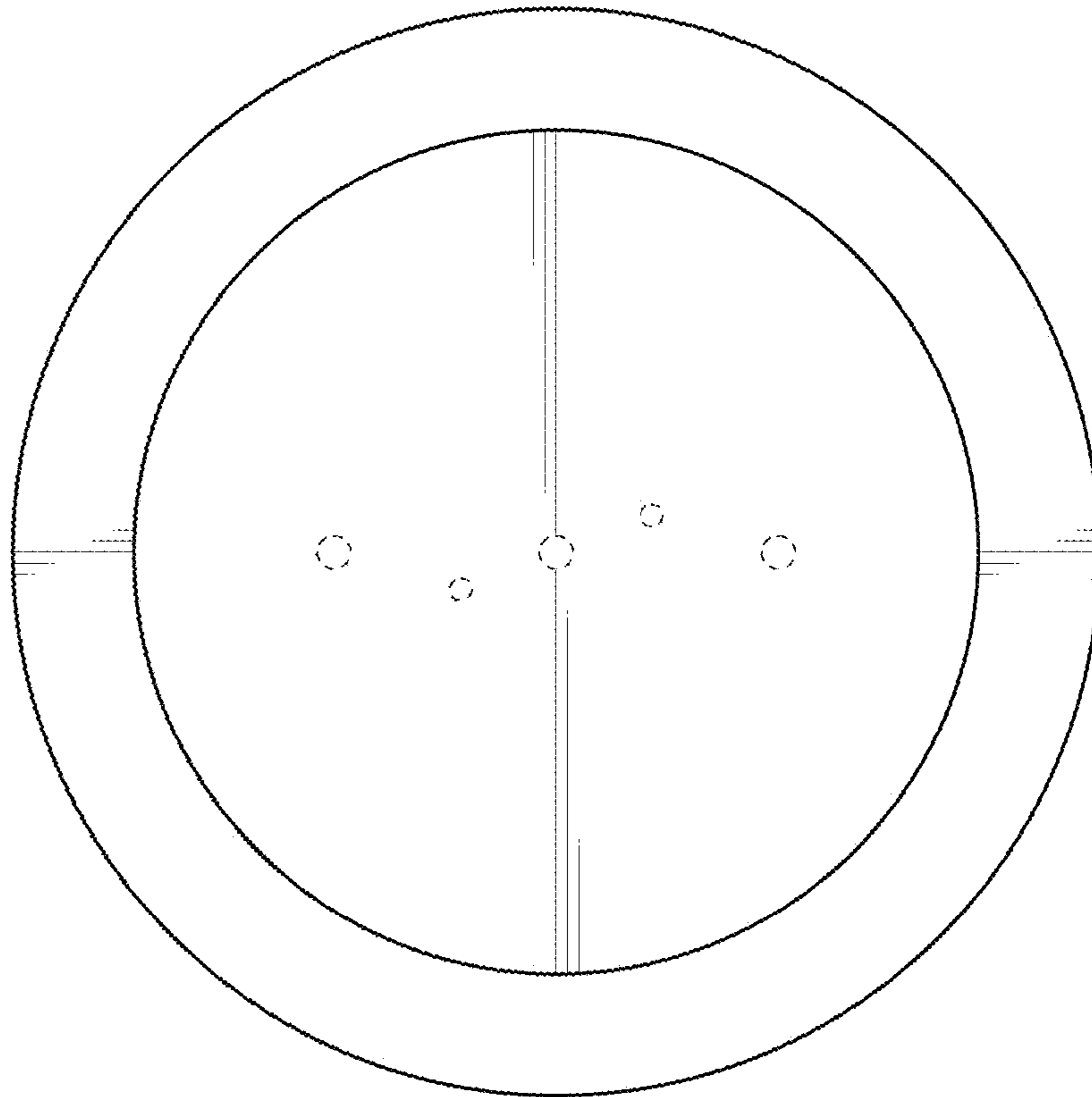


FIG. 3

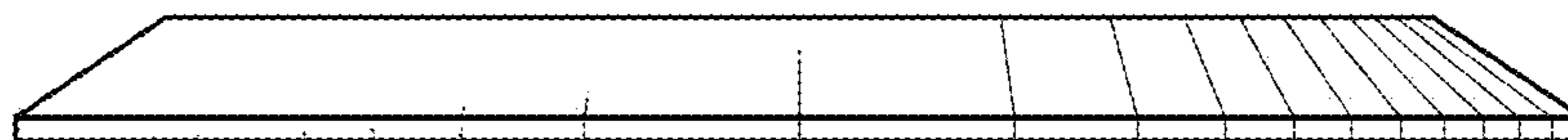


FIG. 4



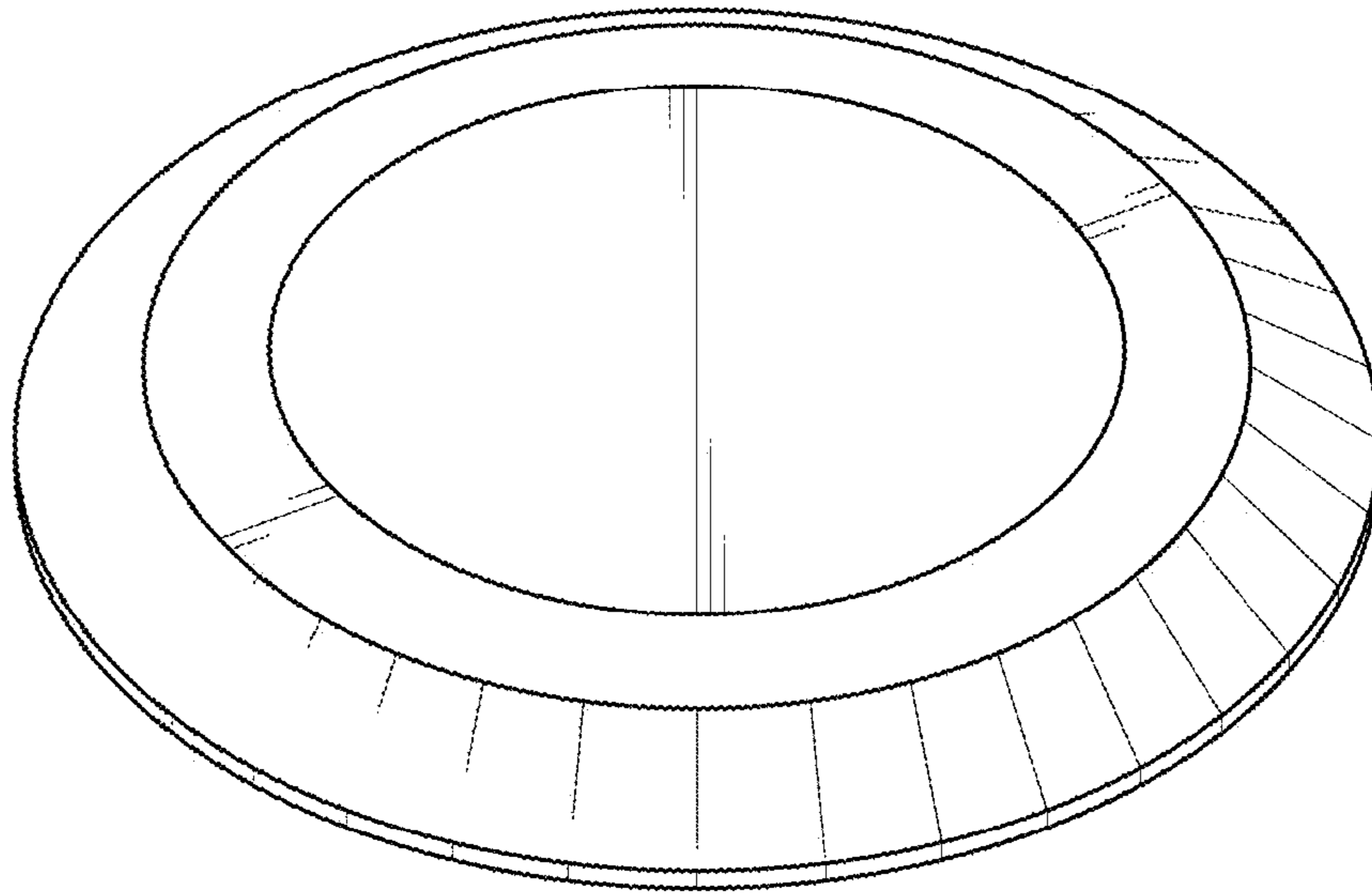


FIG. 5

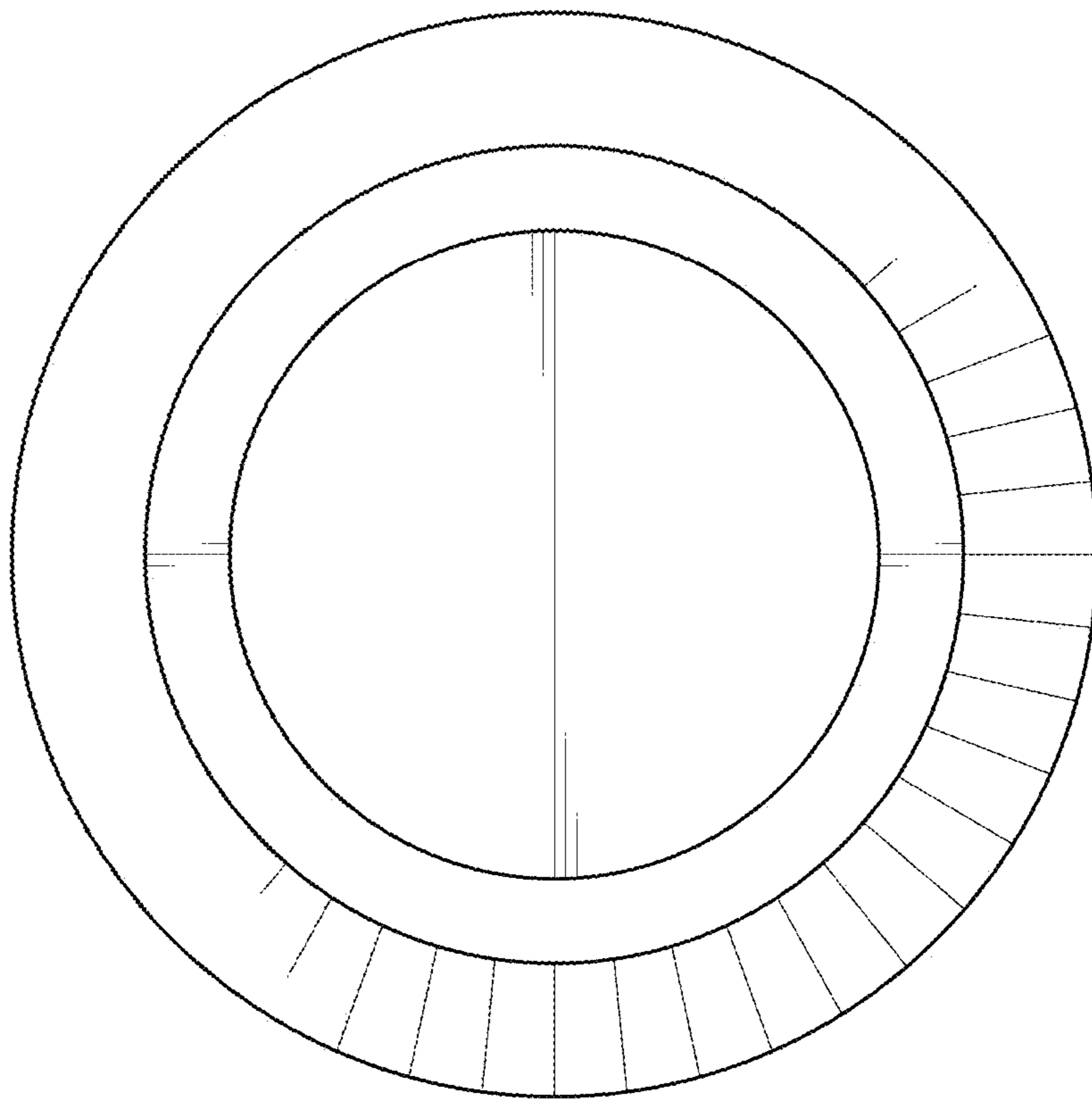


FIG. 6

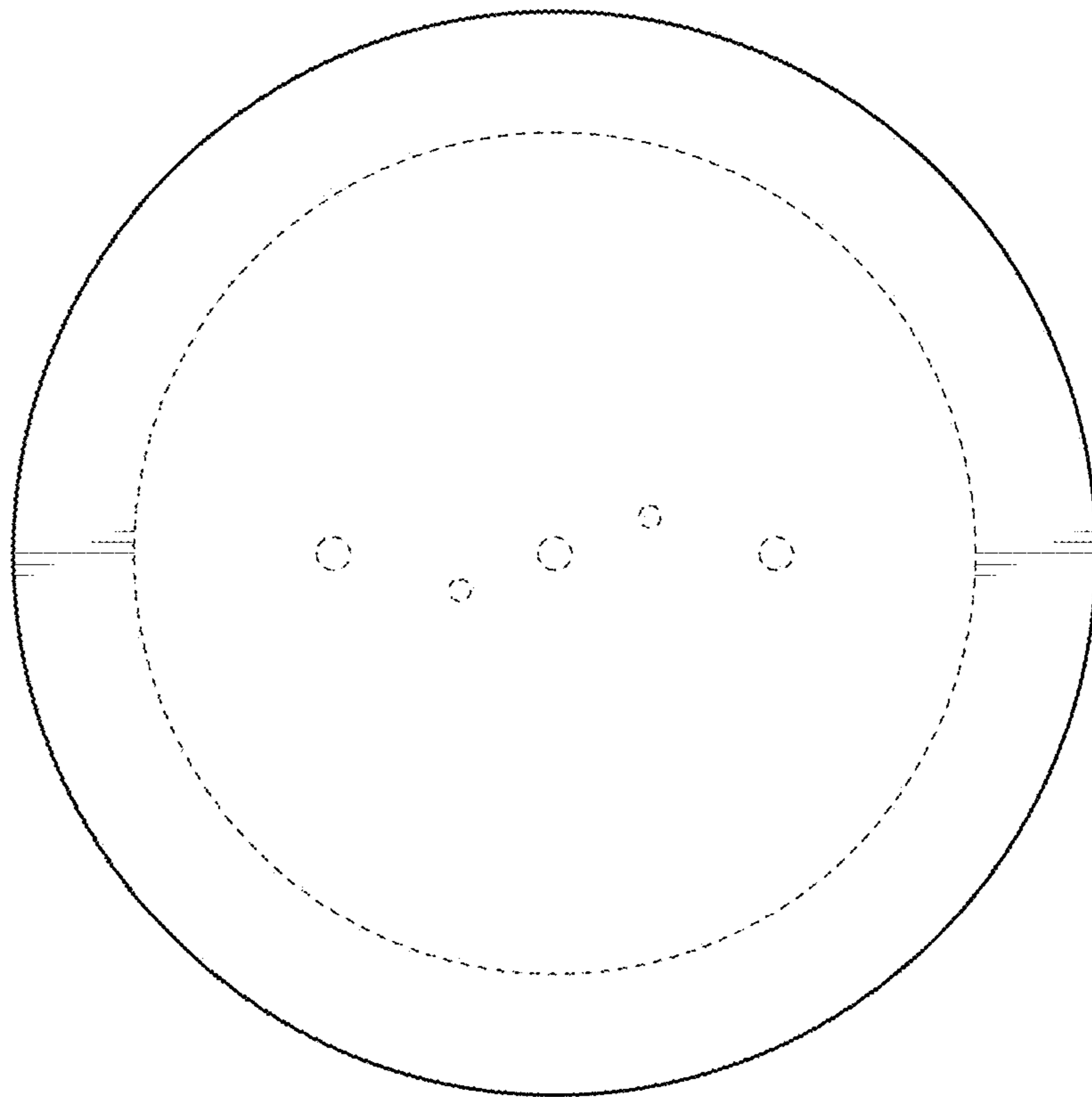


FIG. 7

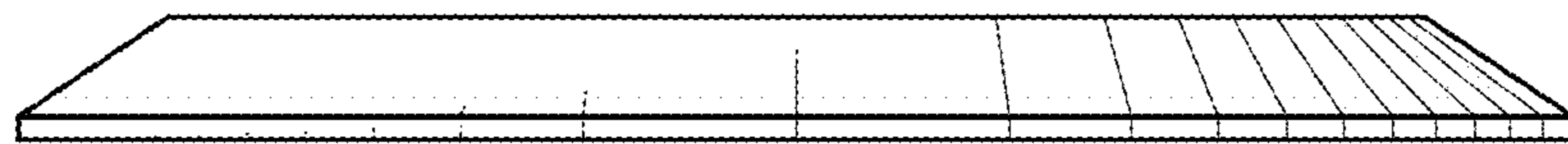


FIG. 8