



US00D824077S

(12) **United States Design Patent**
Davis et al.

(10) **Patent No.:** **US D824,077 S**
(45) **Date of Patent:** **** Jul. 24, 2018**

(54) **LIGHTING FIXTURE**

(71) Applicants: **Dylan Davis**, Brooklyn, NY (US); **Hui Chun Lee**, Brooklyn, NY (US); **Ashild Kyte**, Bergen (NO); **Vera K. Kleppe**, Bergen (NO)

(72) Inventors: **Dylan Davis**, Brooklyn, NY (US); **Hui Chun Lee**, Brooklyn, NY (US); **Ashild Kyte**, Bergen (NO); **Vera K. Kleppe**, Bergen (NO)

(**) Term: **15 Years**

(21) Appl. No.: **29/598,543**

(22) Filed: **Mar. 27, 2017**

(51) **LOC (11) Cl.** **26-03**

(52) **U.S. Cl.**
USPC **D26/88**; D26/87

(58) **Field of Classification Search**
USPC D26/72, 84, 85, 87, 88, 92, 107, 118,
D26/129, 132, 134, 136
CPC F21S 8/03; F21S 8/031; F21S 8/04; F21S
8/06; F21S 8/061; F21S 8/063; F21S
8/065

See application file for complete search history.

(56) **References Cited**

U.S. PATENT DOCUMENTS

D61,330 S * 8/1922 Ripich D26/107
D77,096 S * 12/1928 Jaffe et al. D26/88
(Continued)

OTHER PUBLICATIONS

Solvinden LED solar-powered lighting, half globe—from ikea.com visited Mar. 14, 2018 (Year: 2018).*

(Continued)

Primary Examiner — Clare E Heflin

(74) *Attorney, Agent, or Firm* — Timothy W. Menasco, Esq.; Harter Secrest & Emery LLP

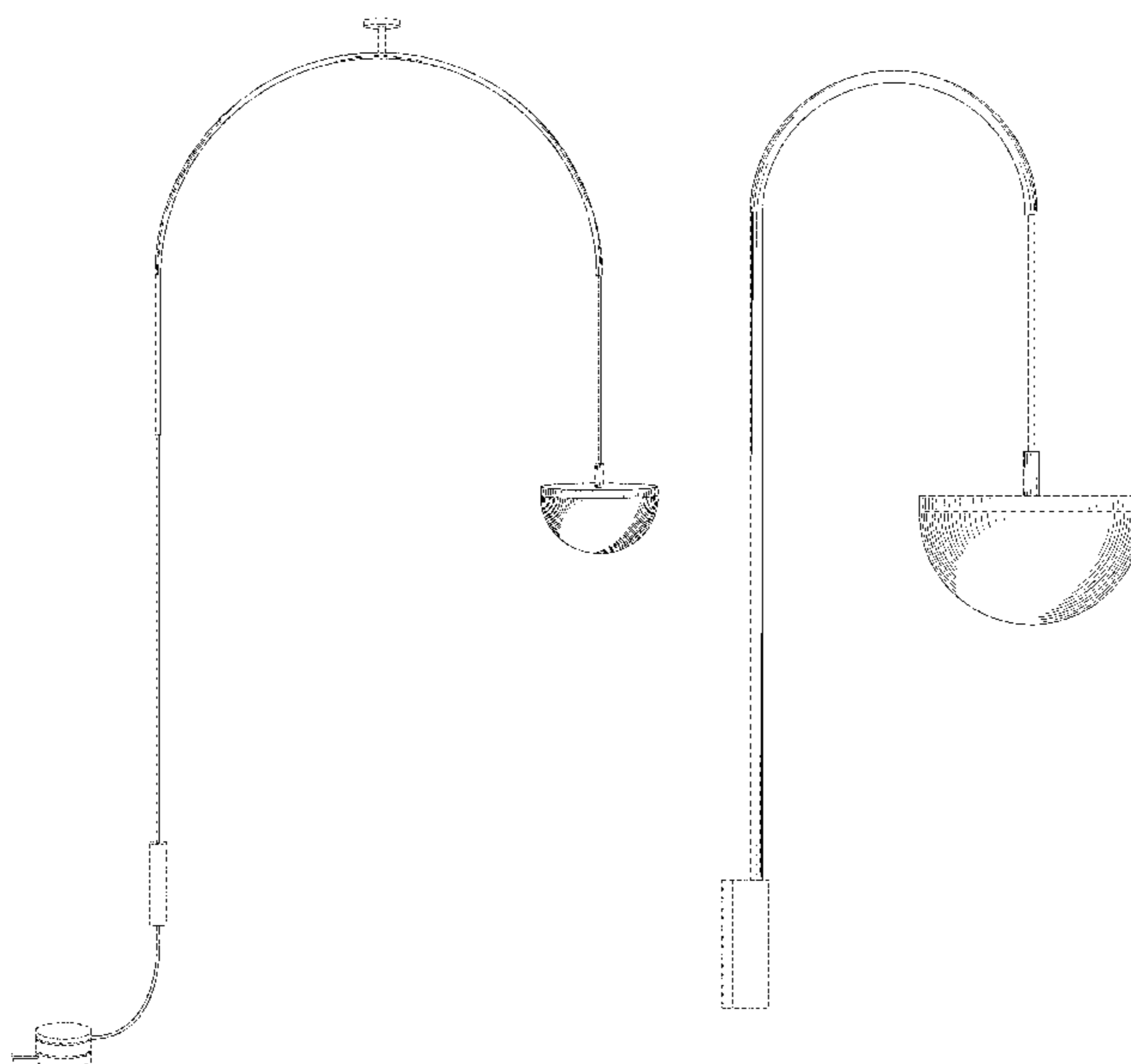
(57) **CLAIM**

The ornamental design for a lighting fixture, as shown and described.

DESCRIPTION

FIG. 1 is a right side perspective view of a lighting fixture in accordance with the present invention; FIG. 2 is a right side view thereof; FIG. 3 is a front view thereof; FIG. 4 is a left side view thereof; FIG. 5 is a rear view thereof; FIG. 6 is a top view thereof; and FIG. 7 is a bottom view thereof; FIG. 8 is a front perspective view of an alternative embodiment of the lighting fixture in accordance with the present invention; FIG. 9 is a right side view of the alternative embodiment of the lighting fixture in accordance with the present invention; FIG. 10 is a front view of the alternative embodiment of the lighting fixture in accordance with the present invention; FIG. 11 is a left side view of the alternative embodiment of the lighting fixture in accordance with the present invention; FIG. 12 is a rear view of the alternative embodiment of the lighting fixture in accordance with the present invention; FIG. 13 is a top view of the alternative embodiment of the lighting fixture in accordance with the present invention; and, FIG. 14 is a bottom view of the alternative embodiment of the lighting fixture in accordance with the present invention. The broken lines shown on the drawings depict portions of the lighting fixture that form no part of the claimed design.

1 Claim, 12 Drawing Sheets



(56)

References Cited

U.S. PATENT DOCUMENTS

4,118,763 A * 10/1978 Osteen F21S 8/06
359/833
5,251,118 A * 10/1993 Budnovitch F21S 8/033
362/147
D377,991 S * 2/1997 Vakil D26/85
D379,547 S * 5/1997 'Tognu' D26/92
D401,004 S * 11/1998 Eusterbrock D26/107
D575,439 S * 8/2008 Morrison D26/88
D576,340 S * 9/2008 Wanders D26/88
D752,271 S * 3/2016 Saunders D26/107
D755,433 S * 5/2016 Sonneman D26/88
D766,491 S * 9/2016 Lee D26/88
D790,106 S * 6/2017 Lee D26/88
D810,347 S * 2/2018 Lee D26/88
2012/0106134 A1 * 5/2012 Chang F21S 8/06
362/147
2014/0211457 A1 * 7/2014 Tarsa F21S 8/06
362/147

OTHER PUBLICATIONS

Philips Dome Contemporary Chrome Finish 15.75" Wide Hanging
Light—PHI-402281148—from affordablelamps.com visited Mar.
14, 2018. (Year: 2018).*

* cited by examiner



FIG. 1

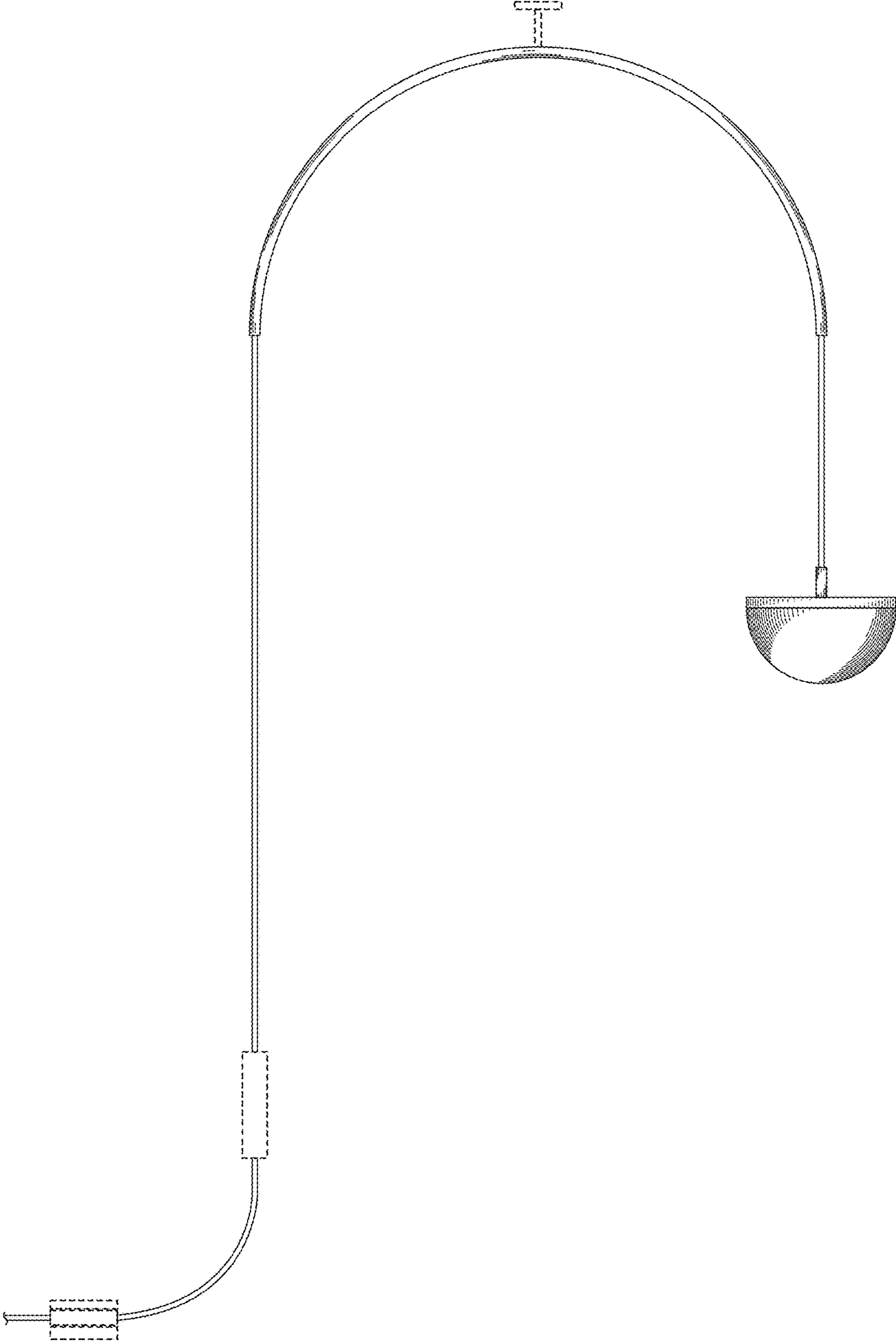


FIG. 2

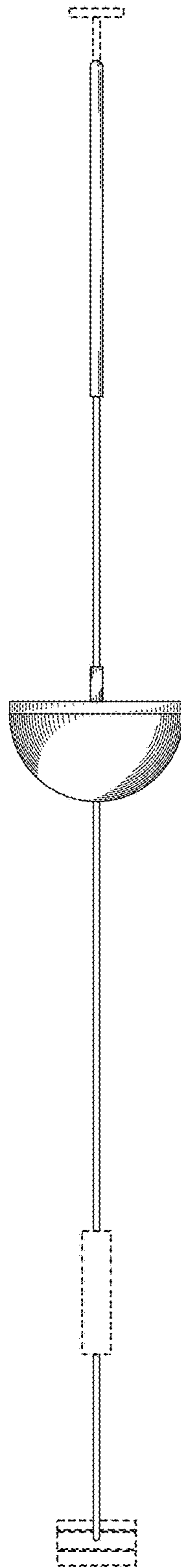


FIG. 3

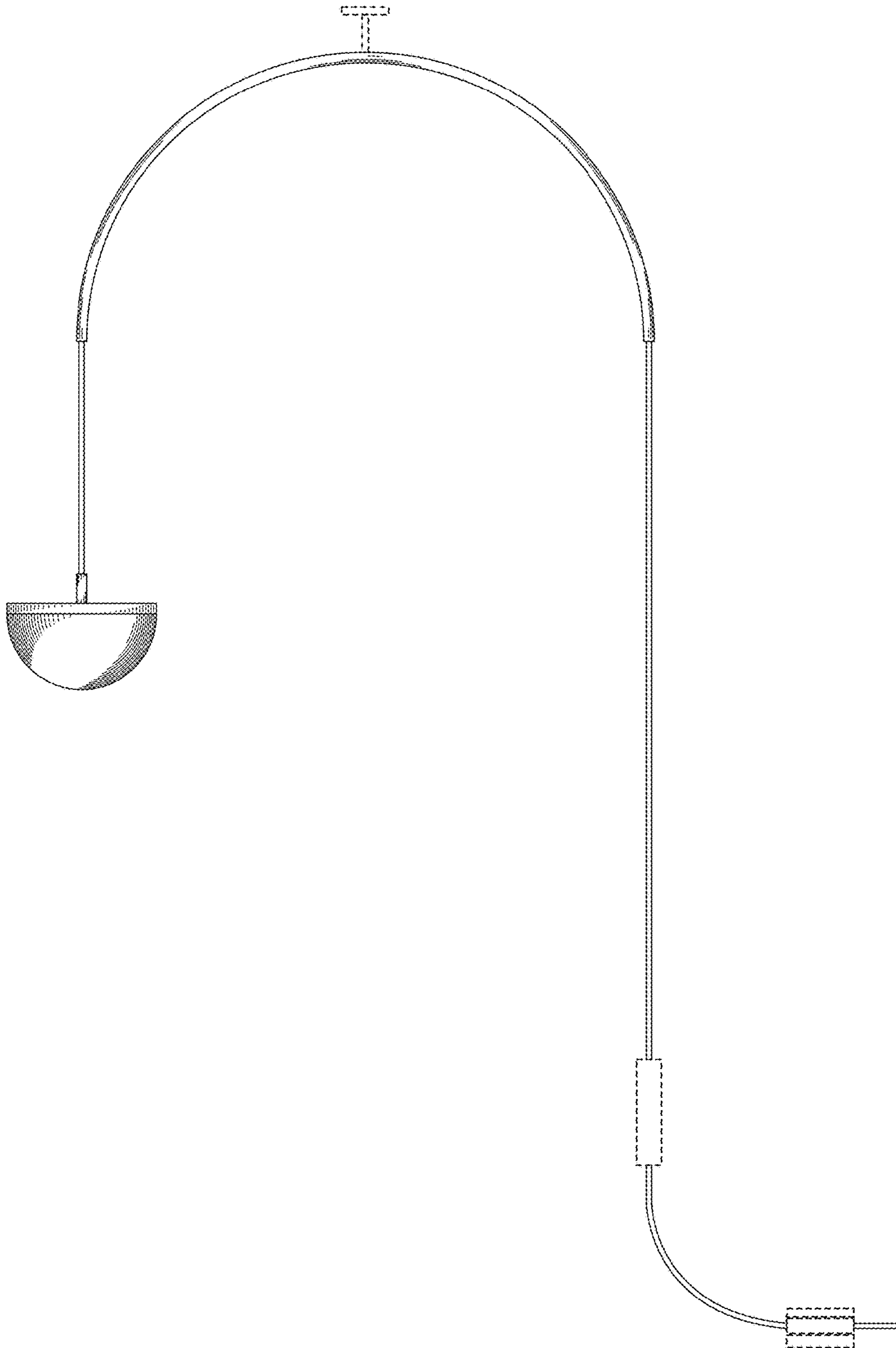


FIG. 4

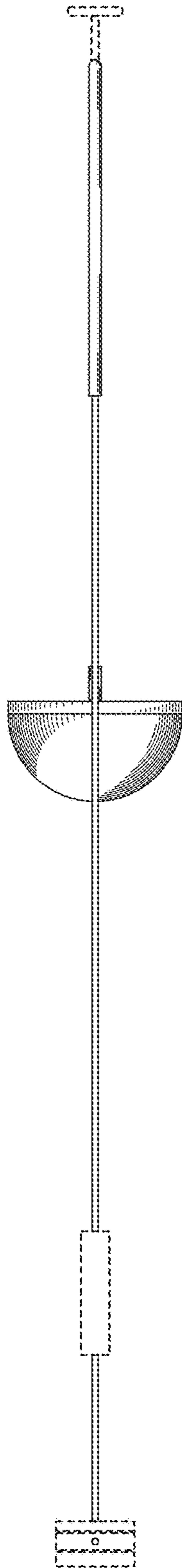


FIG. 5

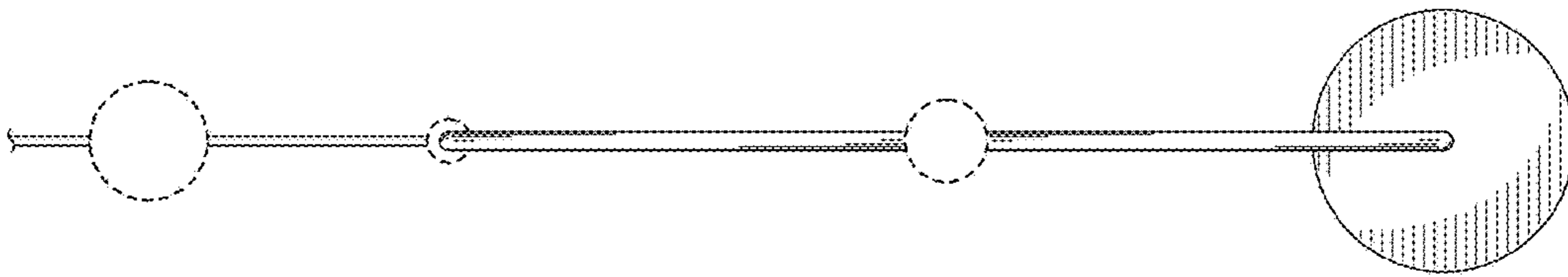


FIG. 6

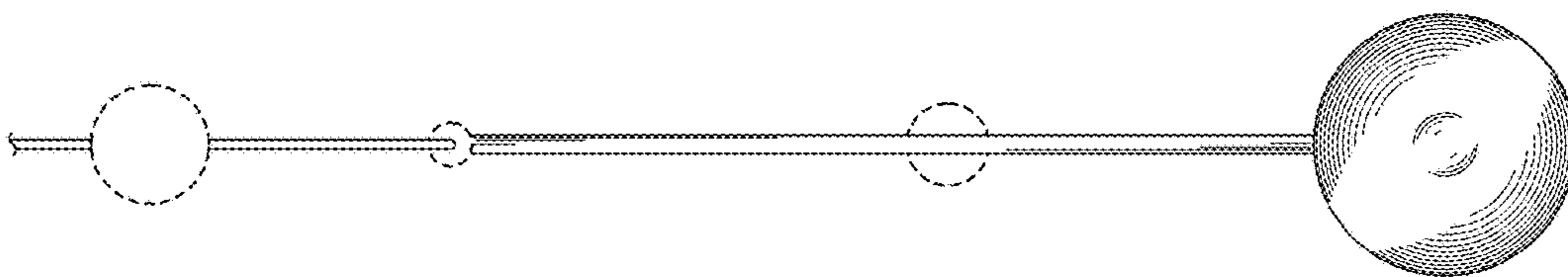


FIG. 7

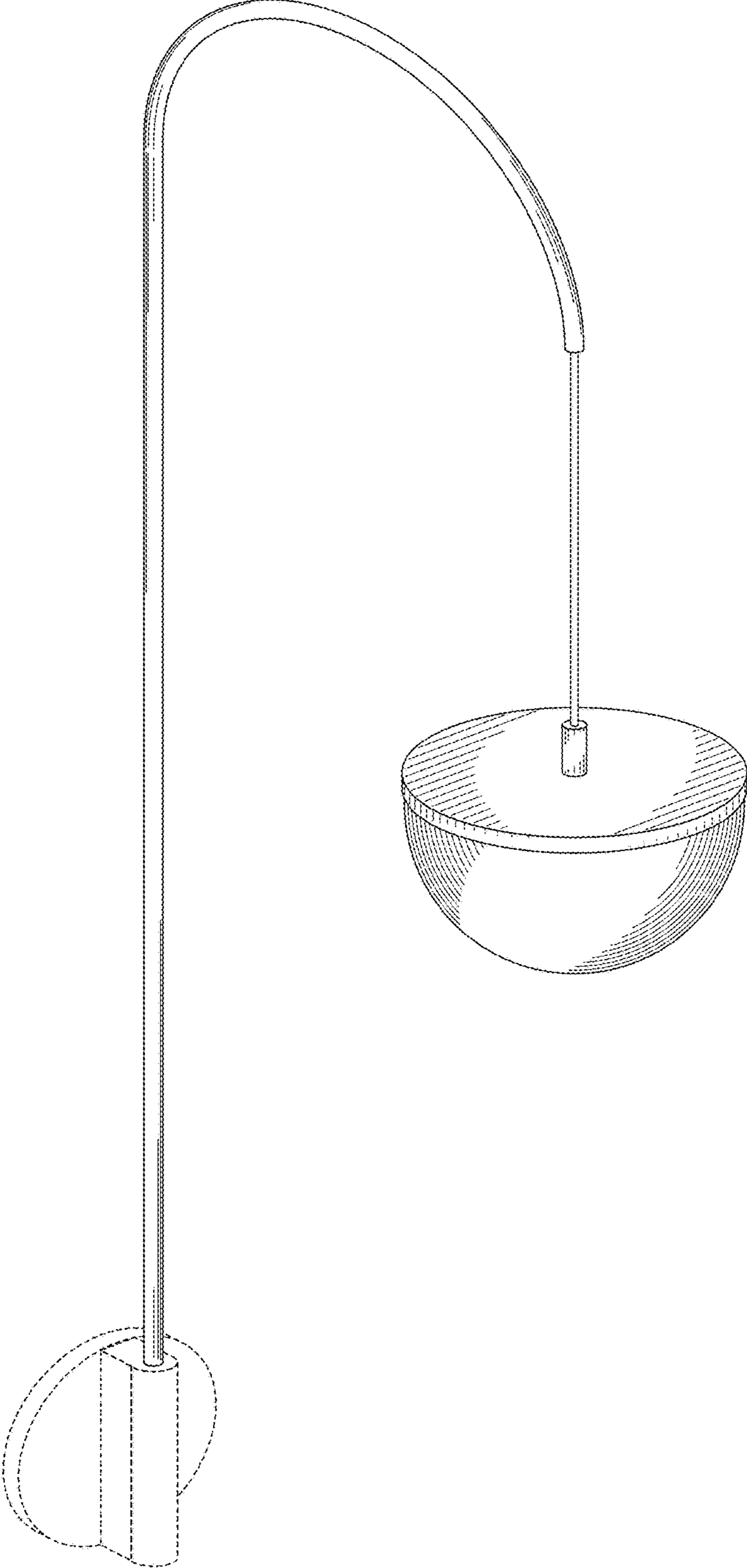


FIG. 8

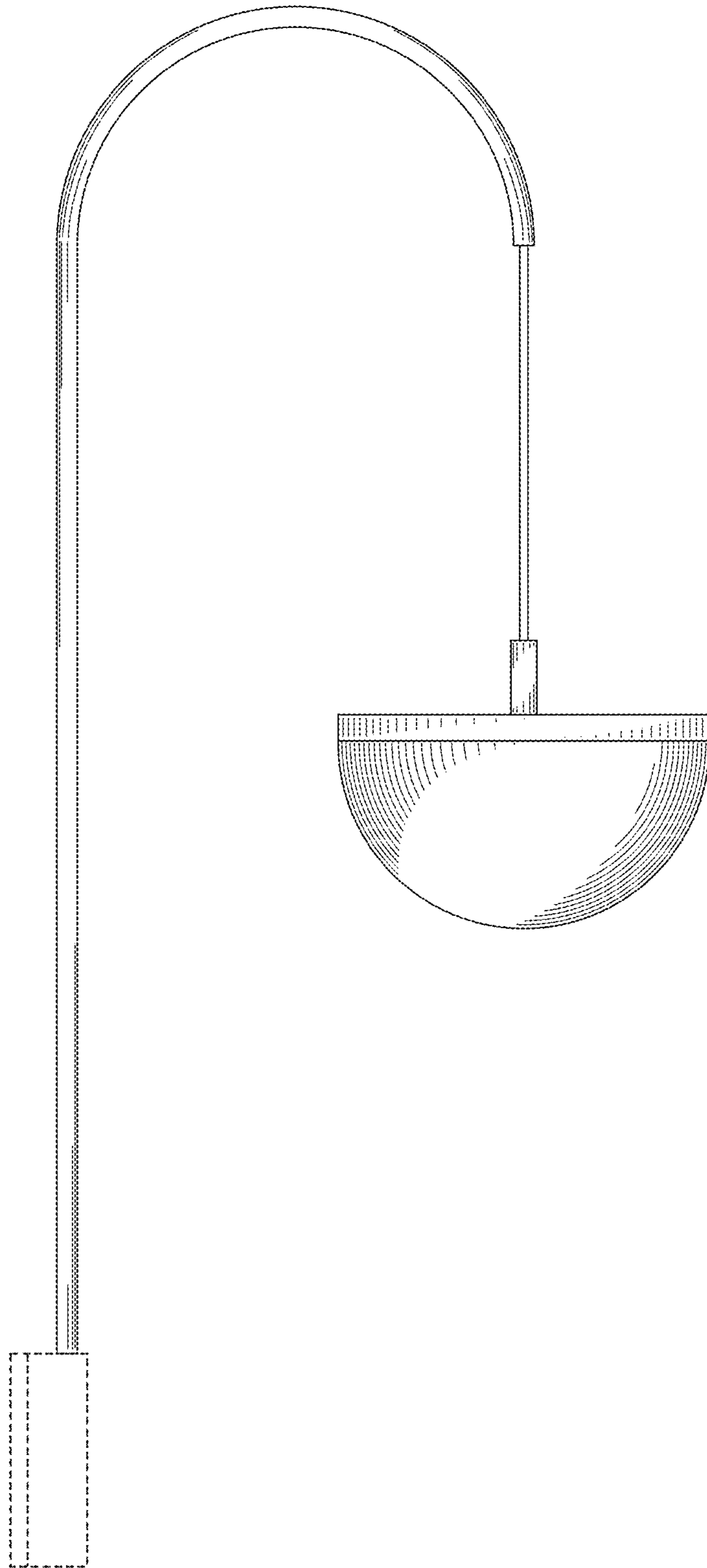


FIG. 9

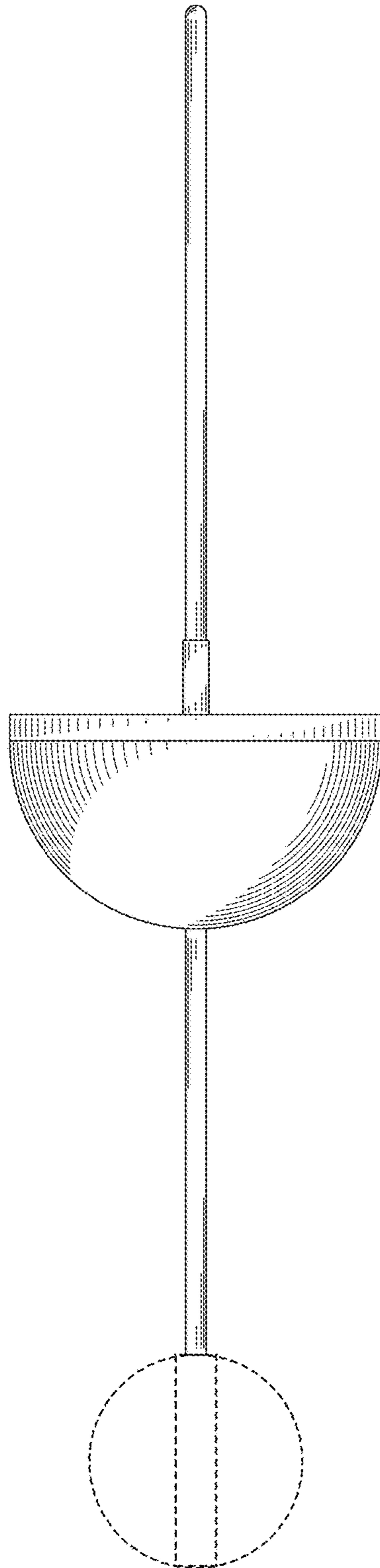


FIG. 10

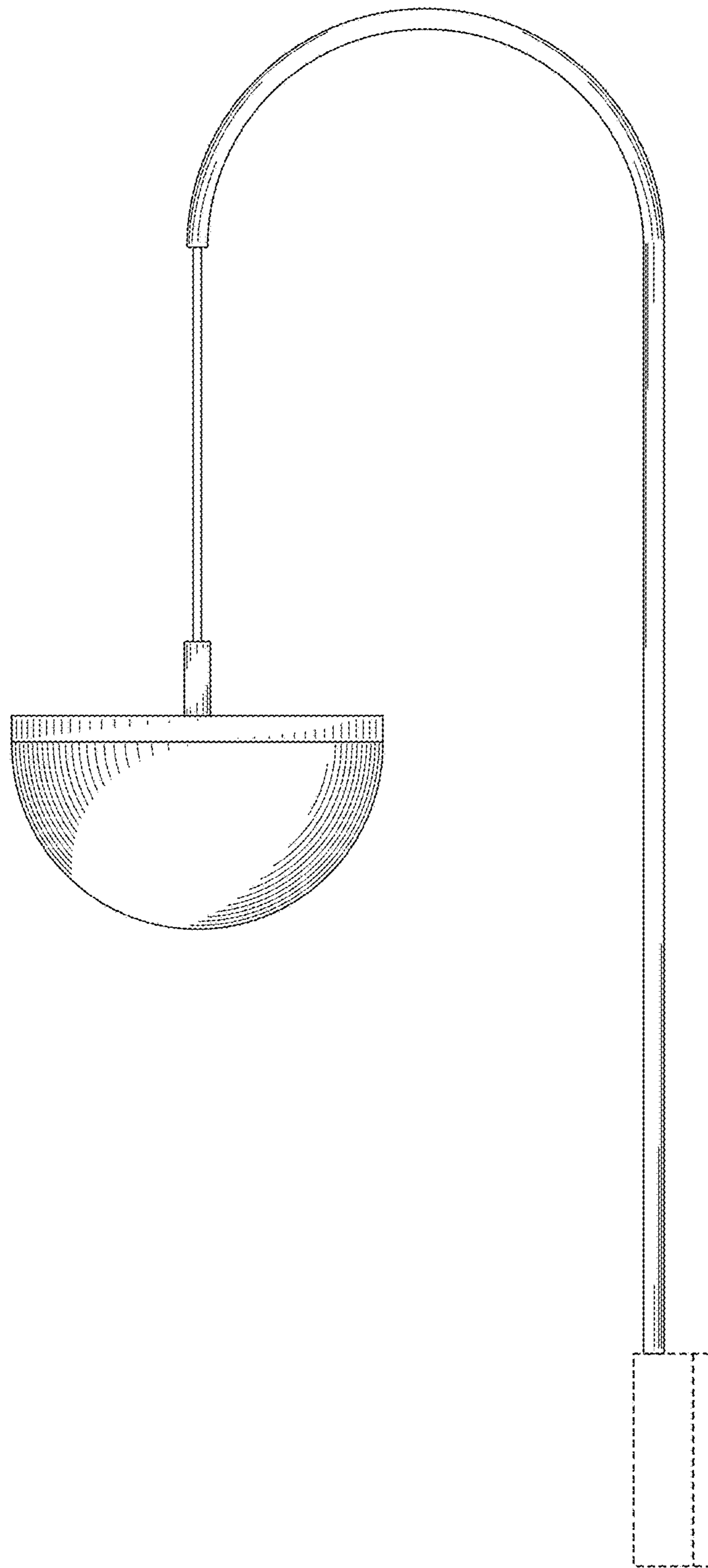


FIG. 11

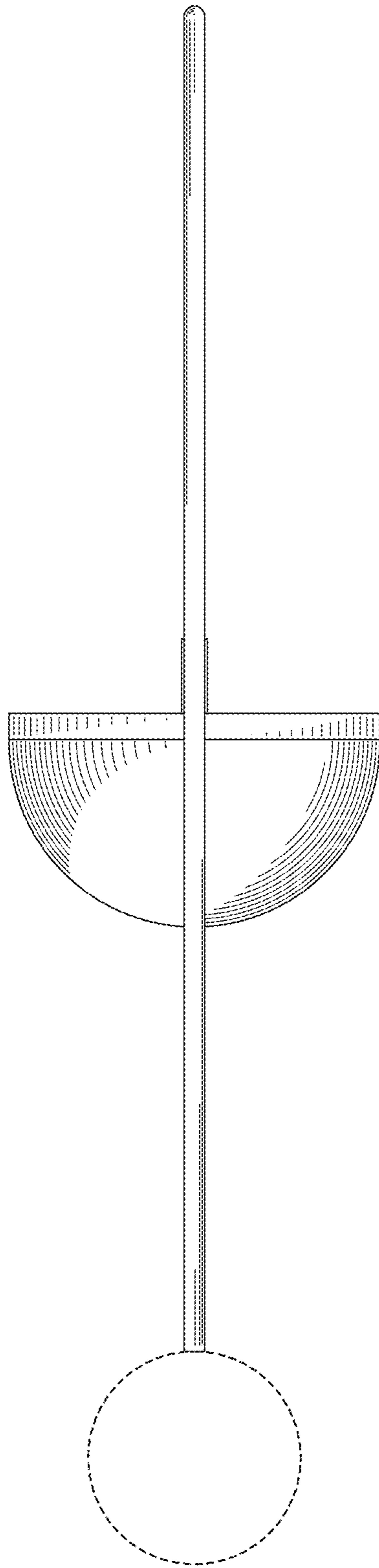


FIG. 12

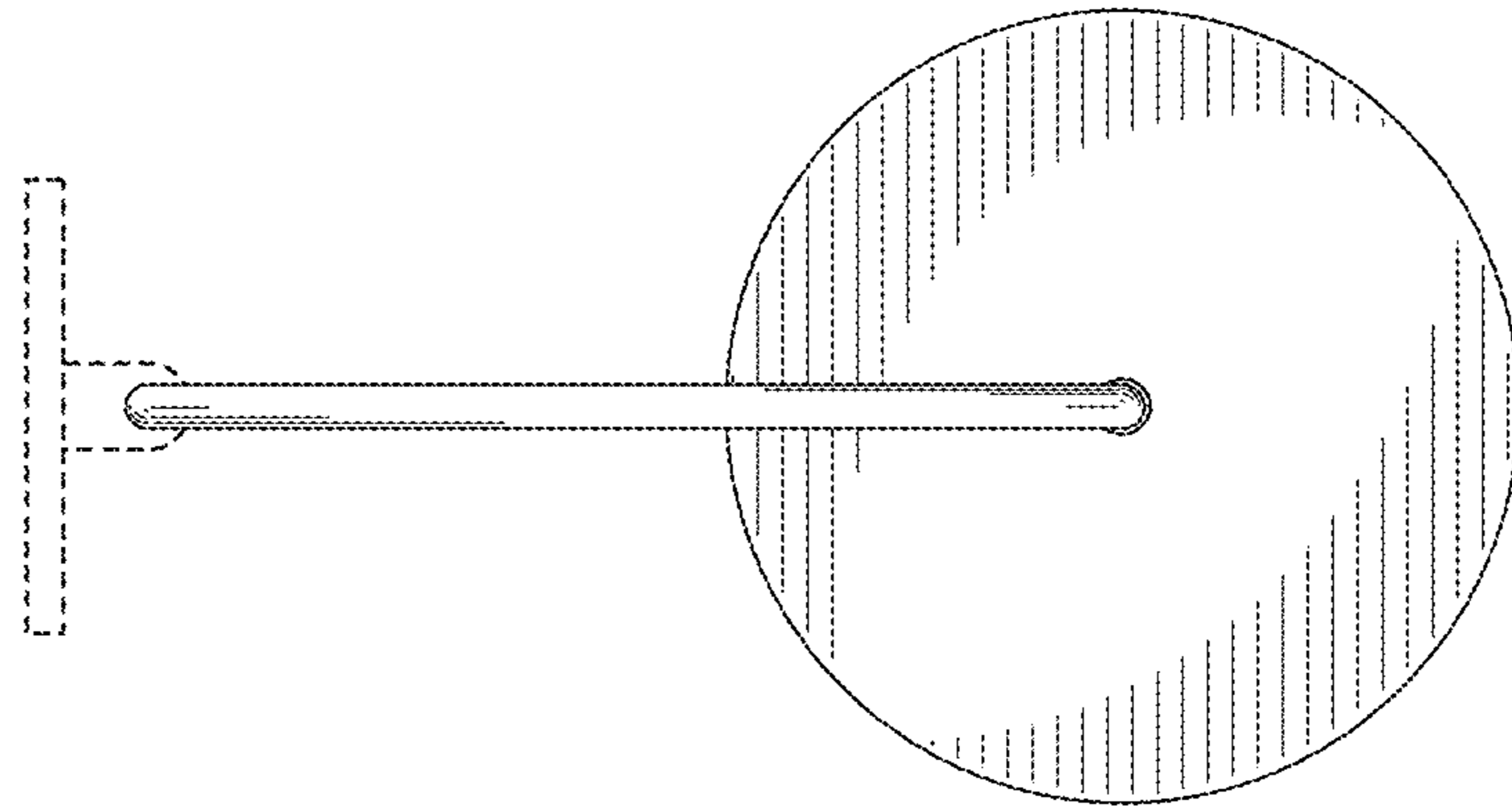


FIG. 13

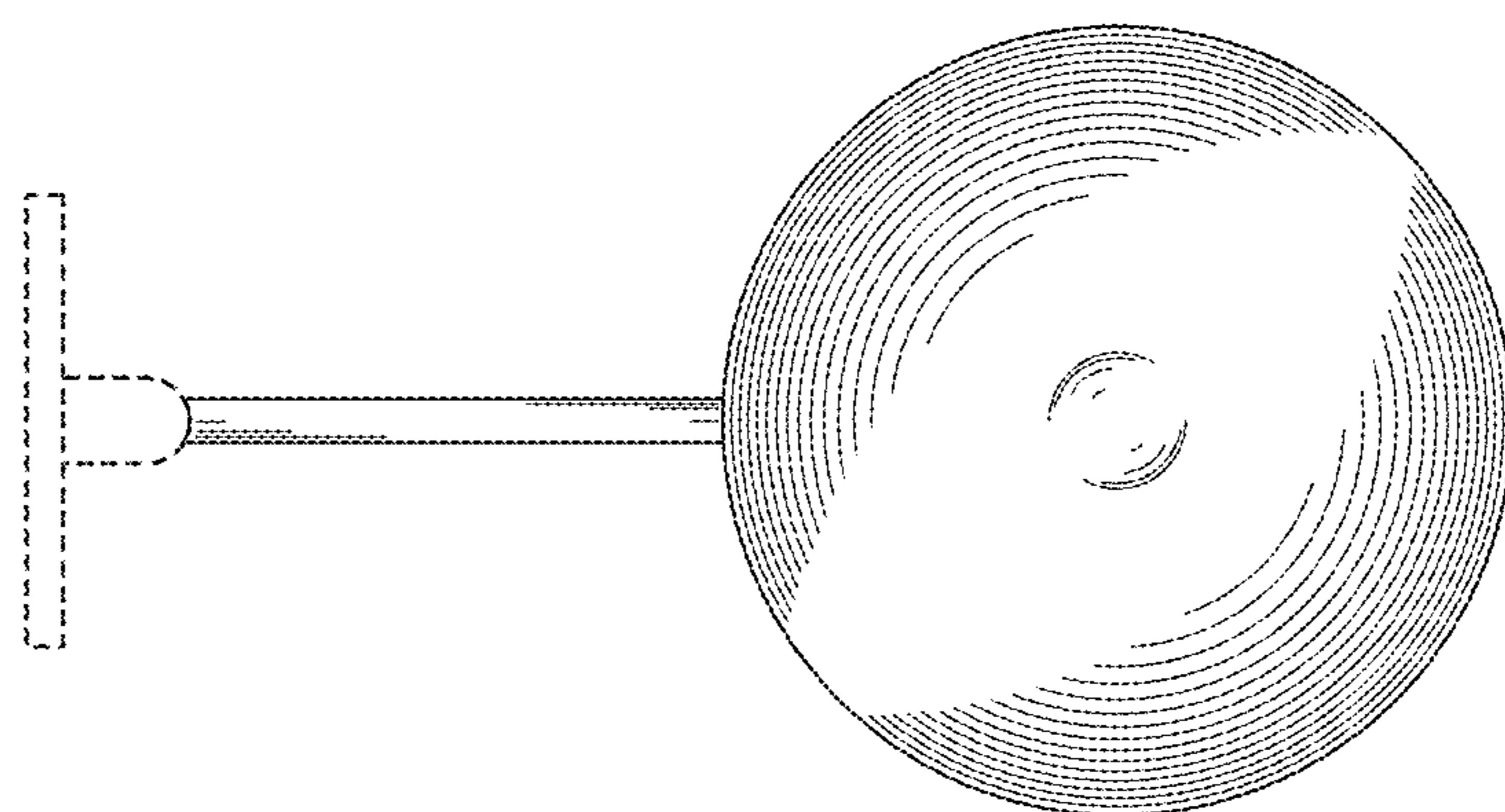


FIG. 14