



US00D824075S

(12) **United States Design Patent**
Yu

(10) **Patent No.:** **US D824,075 S**
(45) **Date of Patent:** **** Jul. 24, 2018**

- (54) **LUMINAIRE**
- (71) Applicant: **Scott S Yu**, Tiburon, CA (US)
- (72) Inventor: **Scott S Yu**, Tiburon, CA (US)
- (73) Assignee: **Vode Lighting, LLC**, Sonoma, CA (US)
- (**) Term: **15 Years**
- (21) Appl. No.: **29/600,569**
- (22) Filed: **Apr. 13, 2017**
- (51) **LOC (11) Cl.** **26-04**
- (52) **U.S. Cl.**
USPC **D26/76**
- (58) **Field of Classification Search**
USPC D26/76, 78, 79, 80, 81, 82, 83, 85, 86,
D26/88, 90, 113, 118, 119, 120, 121, 122,
D26/138, 139, 140, 141, 142, 152
CPC F21S 2/00; F21S 4/00; F21S 4/003; F21S
4/005; F21S 4/006; F21S 4/007; F21S
4/008; F21S 6/00; F21S 8/00; F21S
8/024; F21S 8/026; F21S 8/031; F21S
8/033; F21S 8/035–8/037; F21S 8/04;
F21S 8/043; F21S 8/063
See application file for complete search history.

D616,138 S *	5/2010	Lasthein	D26/76
D626,268 S *	10/2010	Santoro	D26/76
D645,193 S *	9/2011	Chung	D26/75
D645,194 S *	9/2011	Budike, Jr.	D26/76
D662,643 S *	6/2012	Takahashi	D26/76
D695,440 S *	12/2013	Kim	D26/72
D700,724 S *	3/2014	Waldmann	D26/24
D747,539 S *	1/2016	Santoro	D26/120
D759,874 S *	6/2016	Boyer	D26/76
D766,487 S *	9/2016	Cai	D26/76

* cited by examiner

Primary Examiner — George D. Kirschbaum
Assistant Examiner — Natasha Vujcic
(74) *Attorney, Agent, or Firm* — Peter Tormey; Antero, Tormey & Petrin

(57) **CLAIM**

The ornamental design for a luminaire, as shown and described.

DESCRIPTION

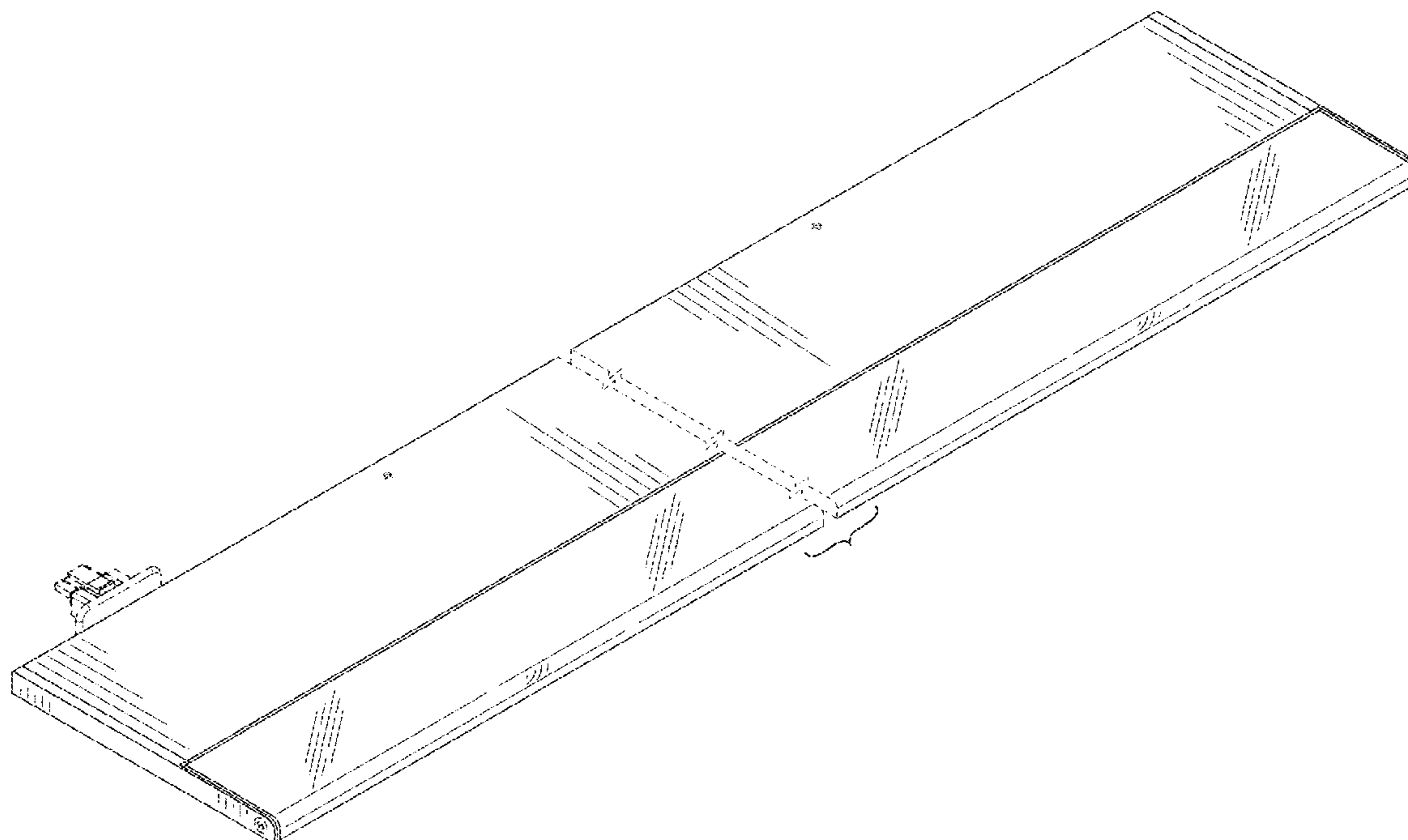
FIG. 1 is a front perspective view of a luminaire
FIG. 2 is a top view thereof
FIG. 3 is a bottom view thereof
FIG. 4 is a left-side view thereof
FIG. 5 is a right-side view thereof
FIG. 6 is a rear view thereof; and,
FIG. 7 is a front view thereof.

The broken lines shown are included for the purpose of illustrating environmental structure and form no part of the claimed design.

The break lines in the drawings indicate that the appearance of any portion of the luminaire between the break lines forms no part of the claimed design.

1 Claim, 7 Drawing Sheets

- (56) **References Cited**
U.S. PATENT DOCUMENTS
D183,873 S * 11/1958 Bodian et al. D26/76
D195,012 S * 4/1963 Hoyle



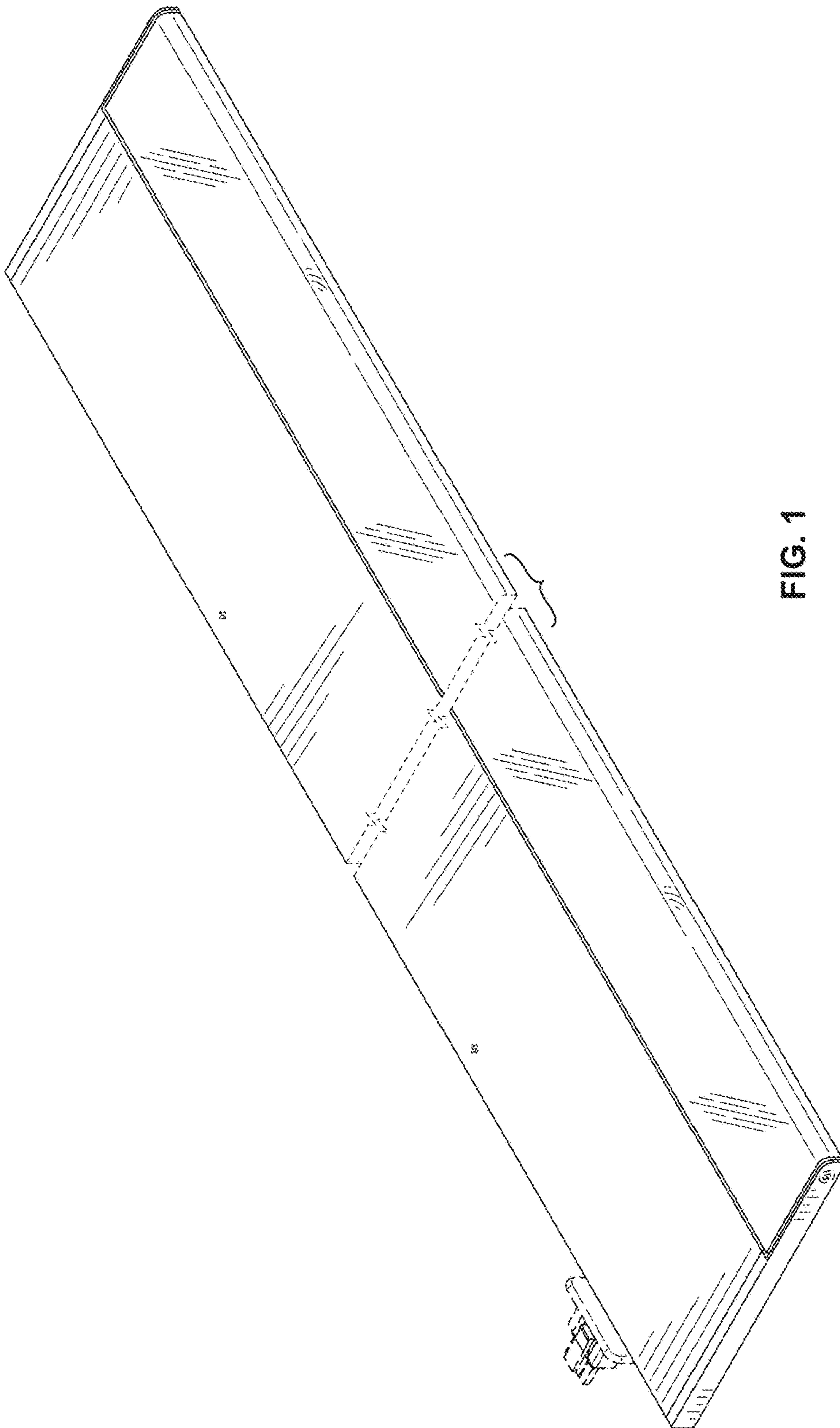


FIG. 1

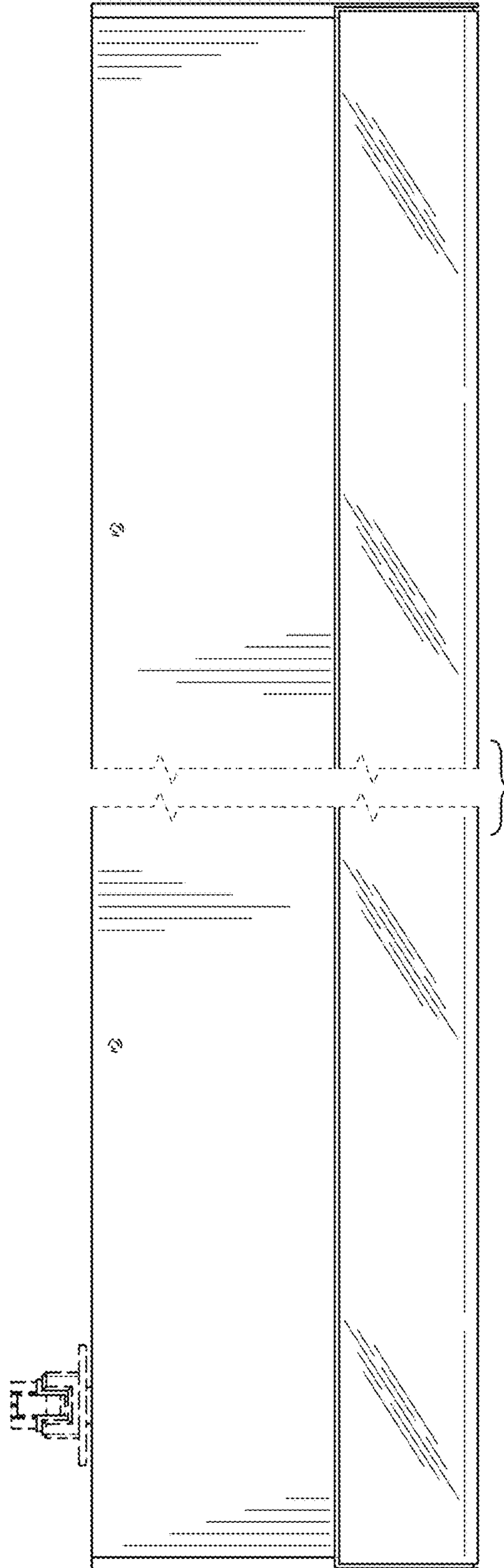


FIG. 2

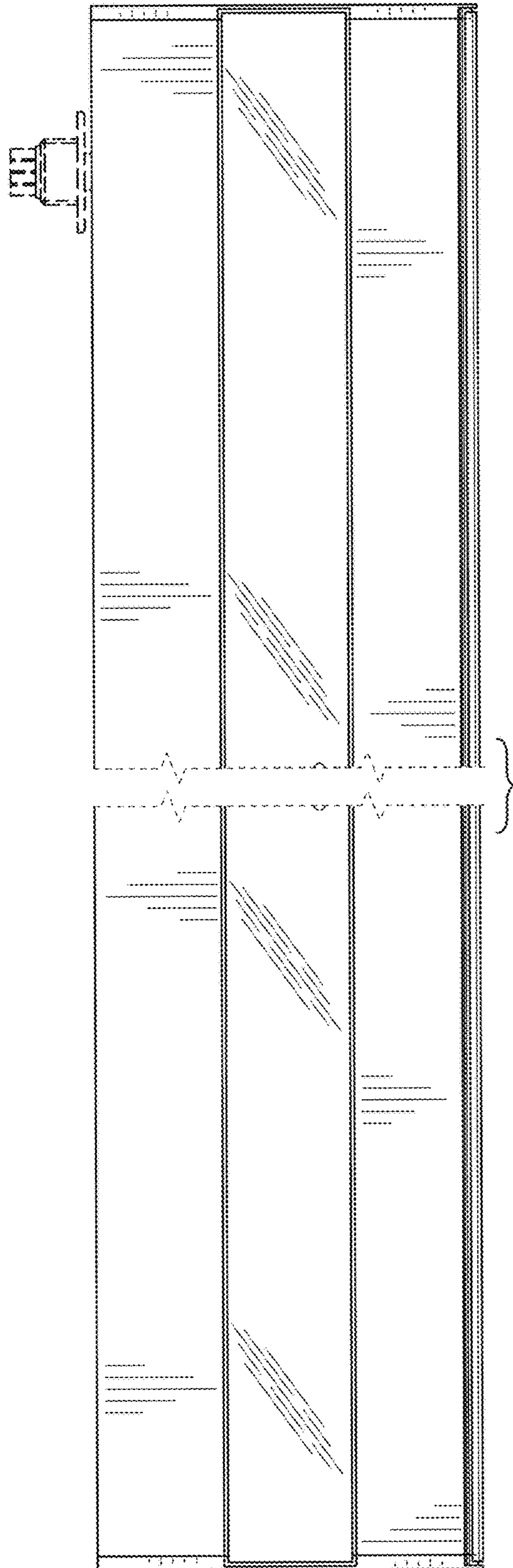


FIG. 3



FIG. 4



FIG. 5

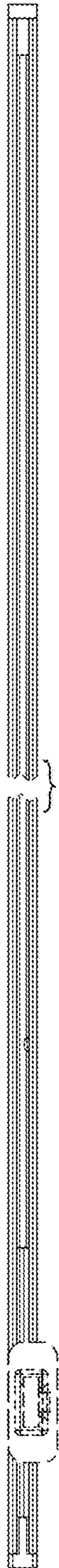


FIG. 6



FIG. 7