



US00D824074S

(12) **United States Design Patent**
Vidal

(10) **Patent No.:** **US D824,074 S**

(45) **Date of Patent:** **** Jul. 24, 2018**

- (54) **RECESSED LIGHT FIXTURE**
- (71) Applicant: **GREEN CREATIVE, LTD**, Hong Kong (CN)
- (72) Inventor: **Guillaume Vidal**, Mende (FR)
- (73) Assignee: **Green Creative Ltd.**, Hong Kong (CN)
- (**) Term: **15 Years**
- (21) Appl. No.: **29/620,608**
- (22) Filed: **Mar. 14, 2017**
- (51) **LOC (11) Cl.** **26-05**
- (52) **U.S. Cl.**
USPC **D26/74**
- (58) **Field of Classification Search**
USPC D26/74, 72, 75, 76, 77, 78, 85, 88, 89,
D26/118, 138, 141; 362/364, 365, 373,
362/145, 146, 147, 148, 150, 153, 153.1,
362/294, 296.01, 296.07, 296.08
See application file for complete search history.

D723,153 S *	2/2015	Borkholder	D23/411
D726,950 S *	4/2015	Serwacki	D26/74
D767,809 S *	9/2016	Gotz-Schafer	D26/74
D772,466 S *	11/2016	Zhang	D26/74
D776,324 S *	1/2017	Gierl	D26/74
D809,698 S *	2/2018	Benghozi	D26/74

* cited by examiner

Primary Examiner — Angela J Lee

(74) *Attorney, Agent, or Firm* — James A. Gavney, Jr.;
JAG Patent Services

(57) **CLAIM**

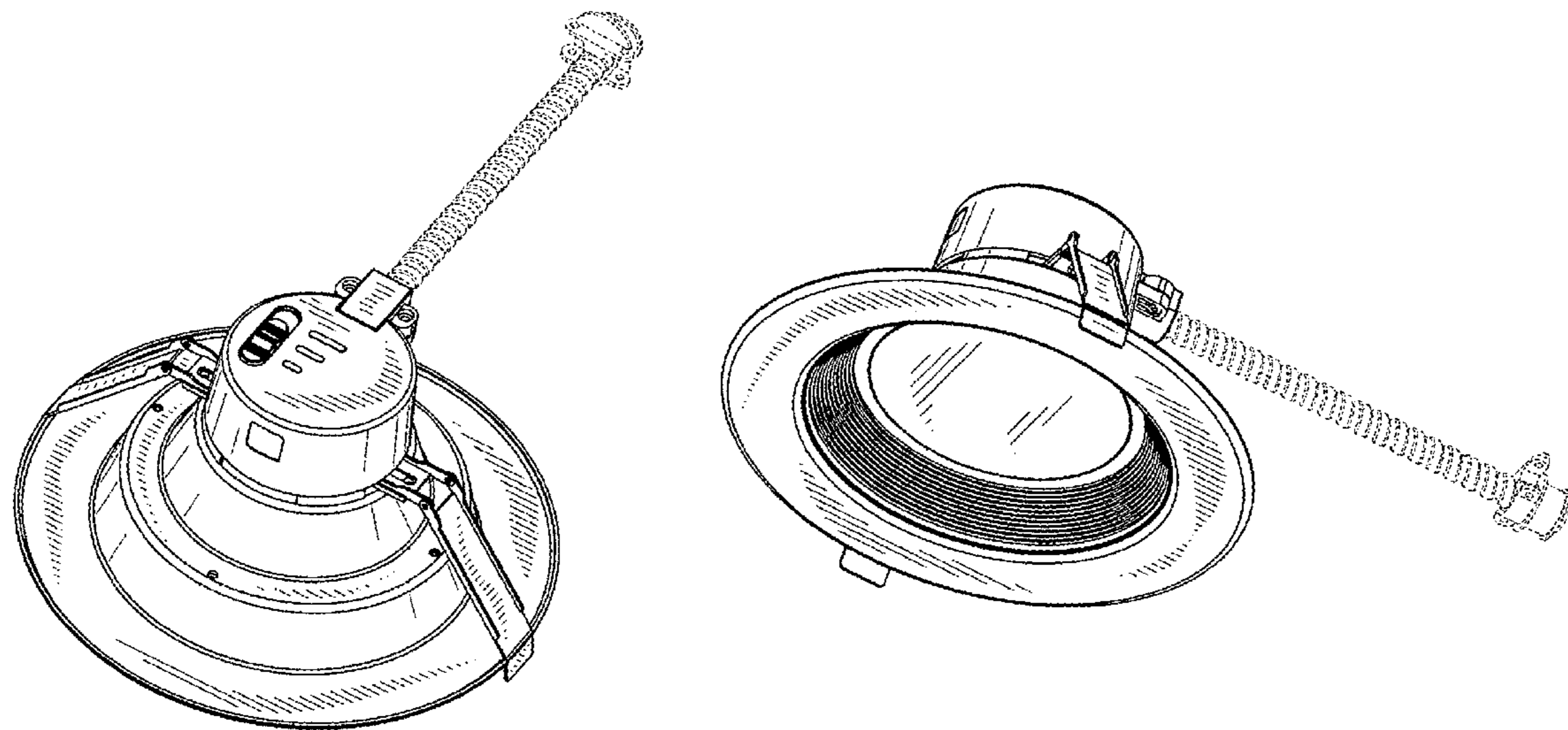
I claim the ornamental design for a recessed light fixture, as shown and described.

DESCRIPTION

FIG. 1 is a top perspective view of a recessed light fixture showing my new design;
 FIG. 2 is a bottom perspective view of the recessed light fixture thereof;
 FIG. 3 is a top view of the recessed light fixture thereof;
 FIG. 4 is a bottom view of the recessed light fixture thereof;
 FIG. 5 is a left side view of the recessed light fixture thereof;
 FIG. 6 is a right side view of the recessed light fixture thereof;
 FIG. 7 is a front side view of the recessed light fixture thereof; and,
 FIG. 8 is a back side view of the recessed light fixture thereof.
 The broken lines shown on the drawings depict environment and form no part of the claimed design.

1 Claim, 3 Drawing Sheets

- (56) **References Cited**
U.S. PATENT DOCUMENTS
- | | | | | |
|--------------|---------|---------------|-------|---------|
| D544,979 S * | 6/2007 | Hartmann, Jr. | | D26/74 |
| D561,374 S * | 2/2008 | Hartmann, Jr. | | D26/74 |
| D562,489 S * | 2/2008 | Rashidi | | D26/118 |
| D636,922 S * | 4/2011 | Yoshida | | D26/74 |
| D668,372 S * | 10/2012 | Renshaw | | D26/74 |
| D684,288 S * | 6/2013 | Gielen | | D26/74 |
| D714,989 S * | 10/2014 | Rowlette, Jr. | | D26/74 |



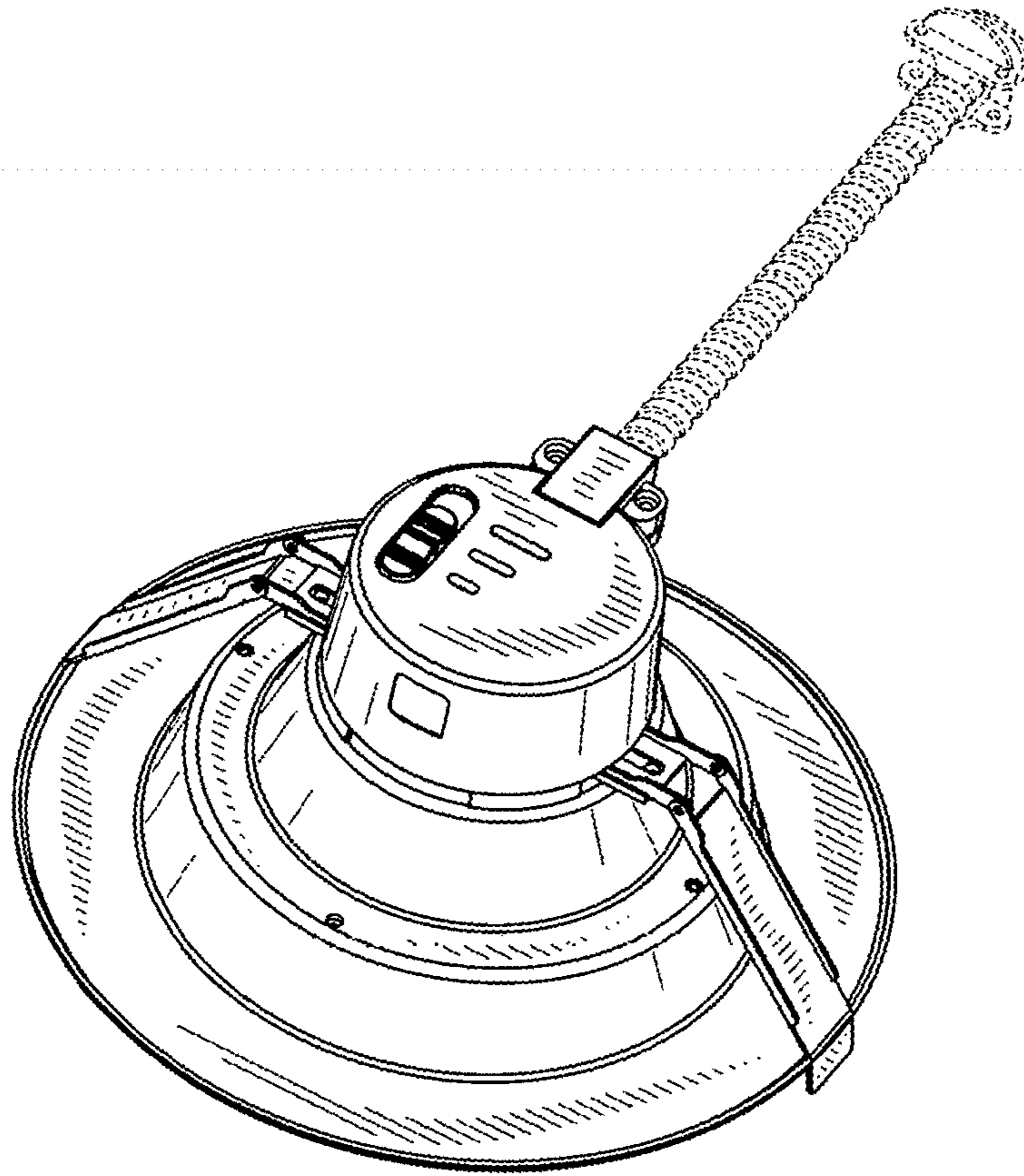


FIG. 1

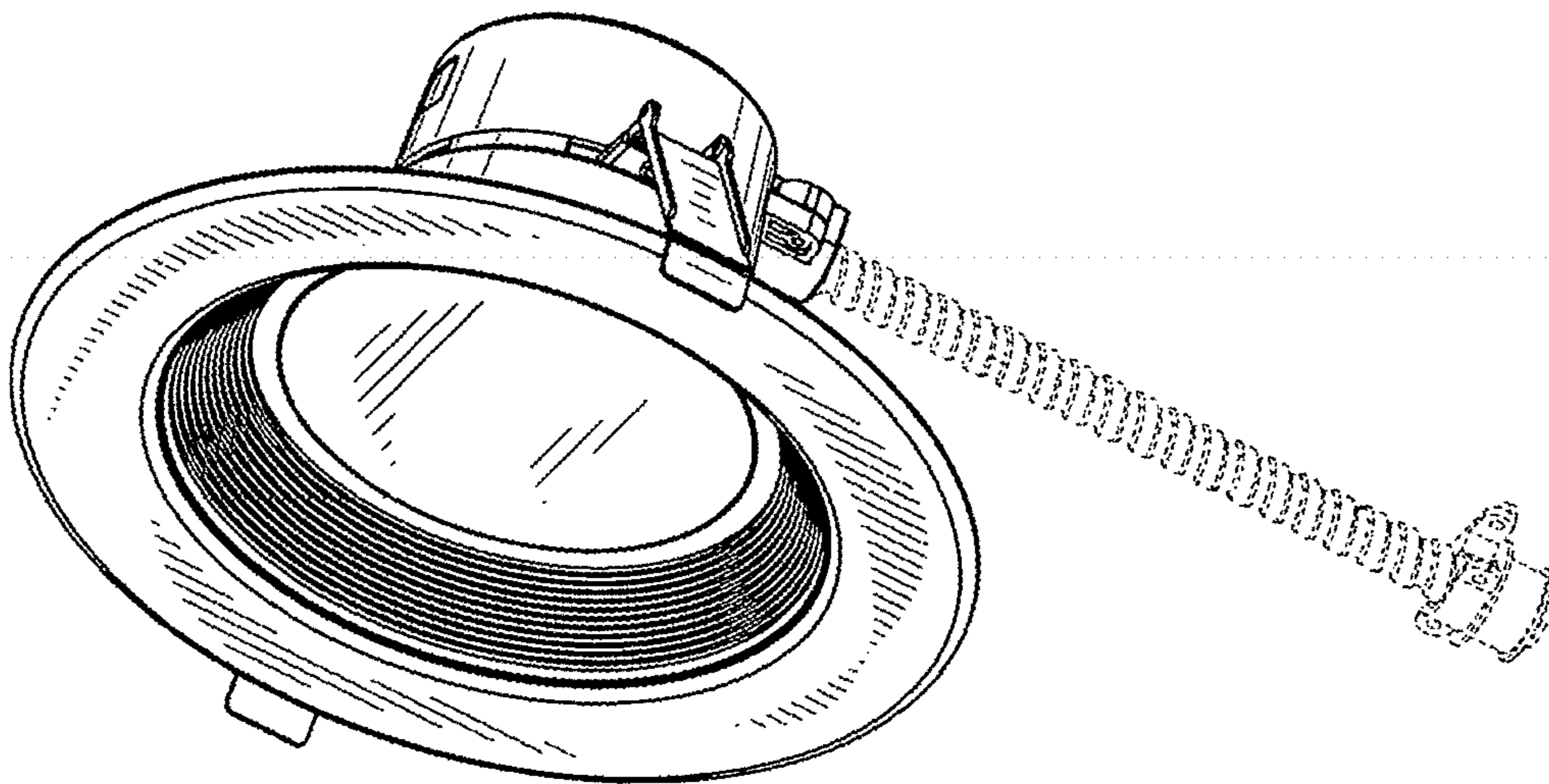


FIG. 2

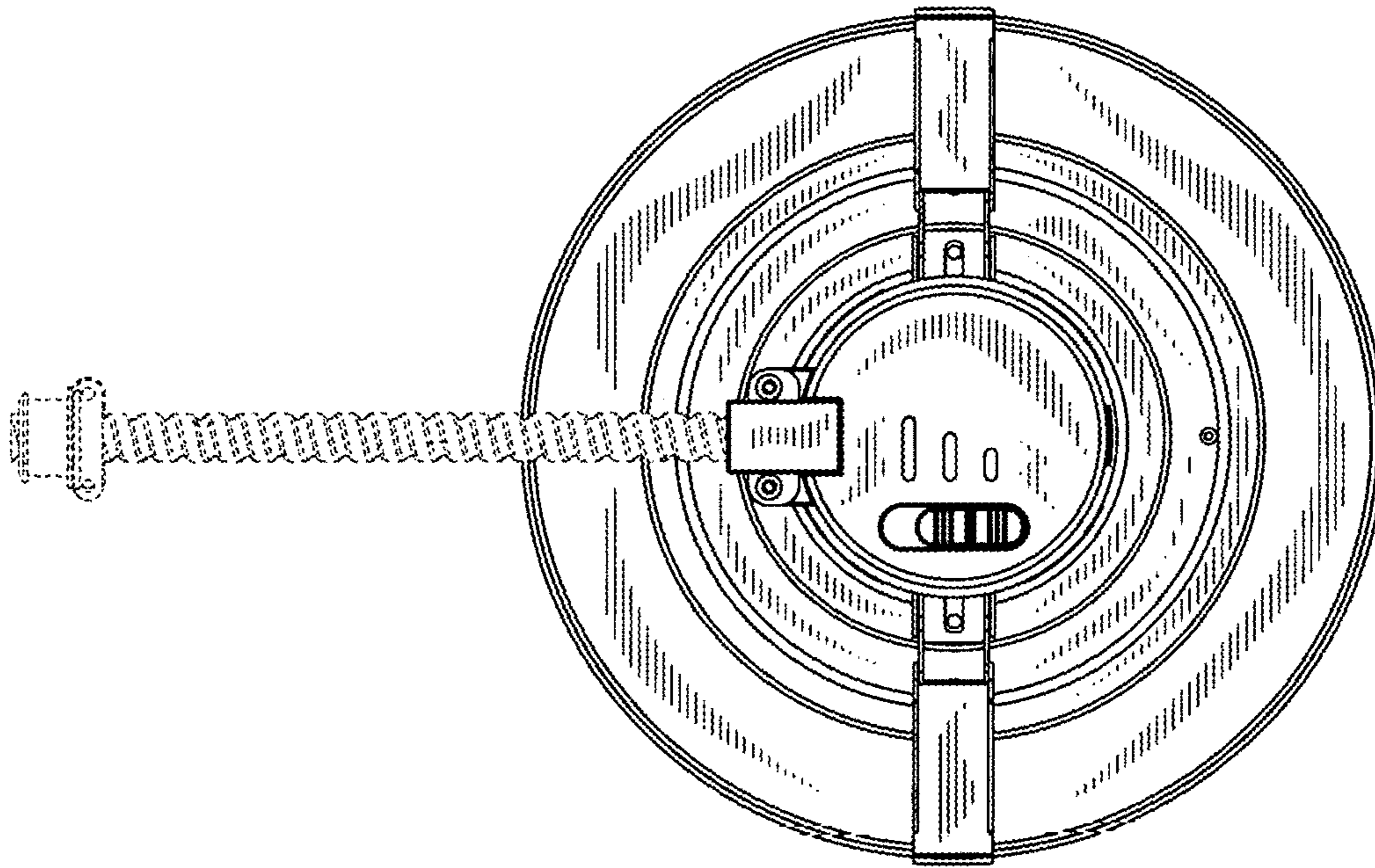


FIG. 3

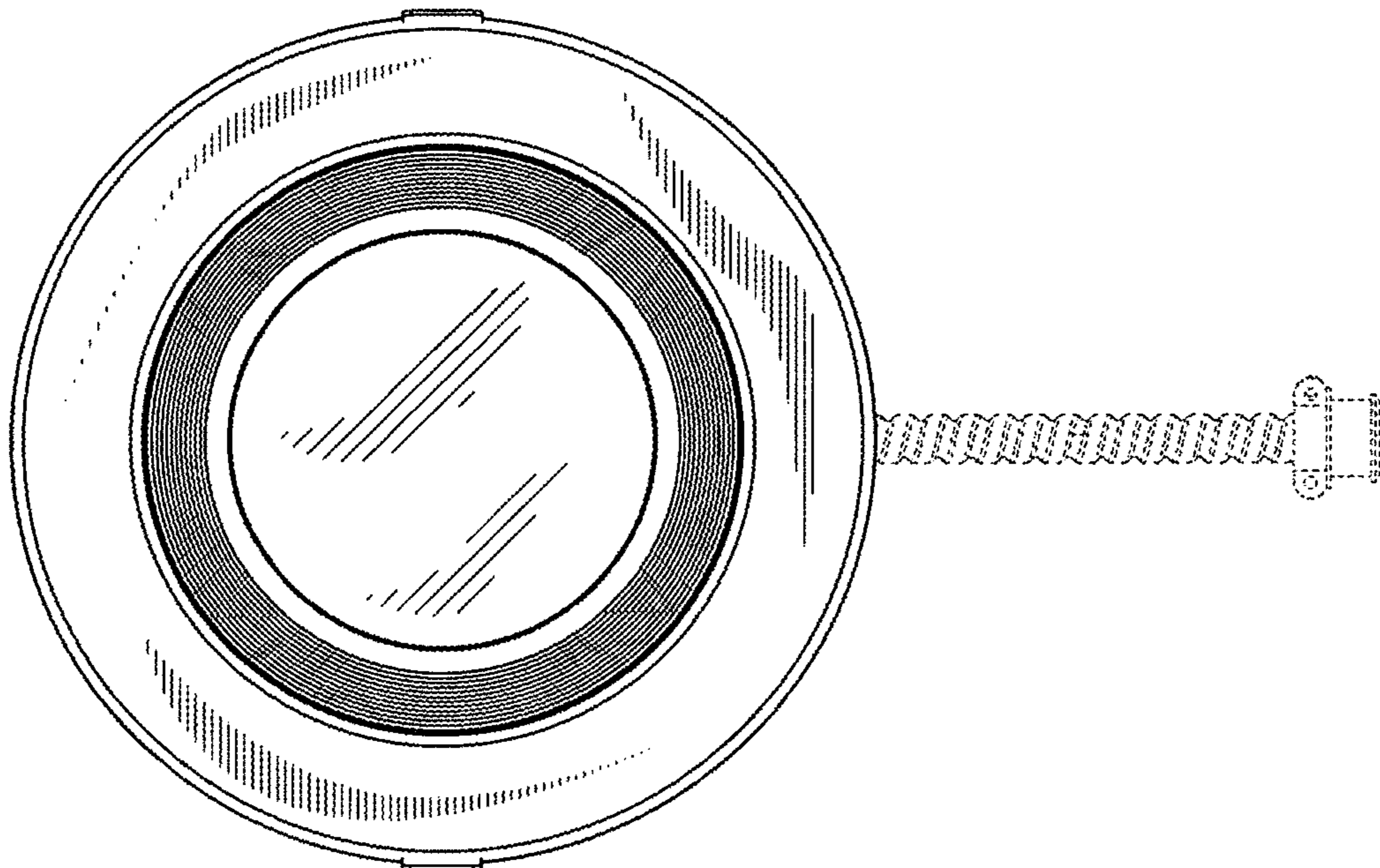


FIG. 4

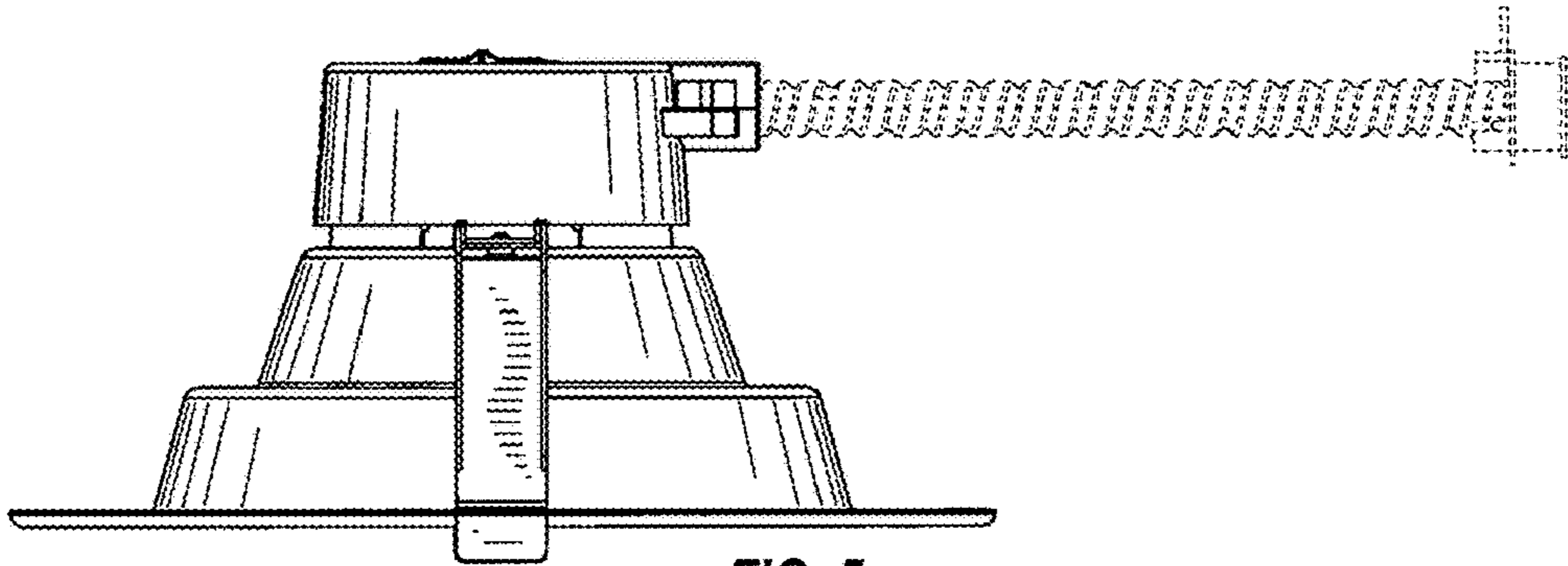


FIG. 5

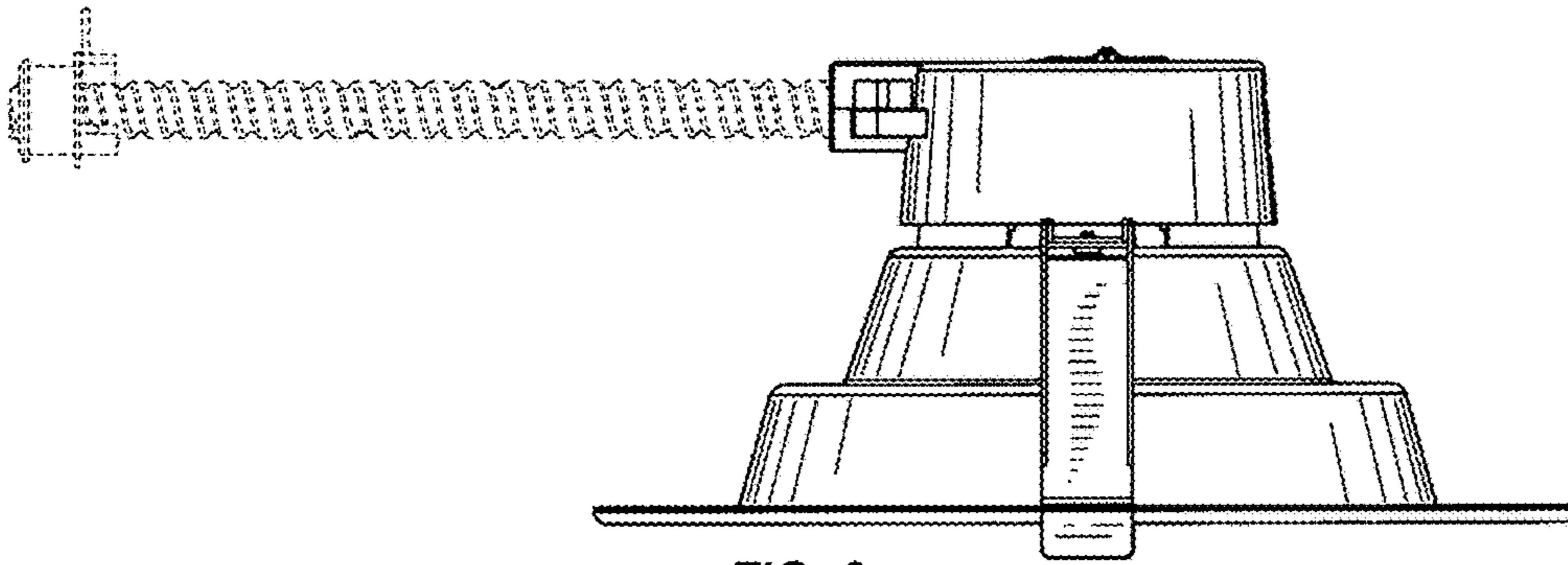


FIG. 6

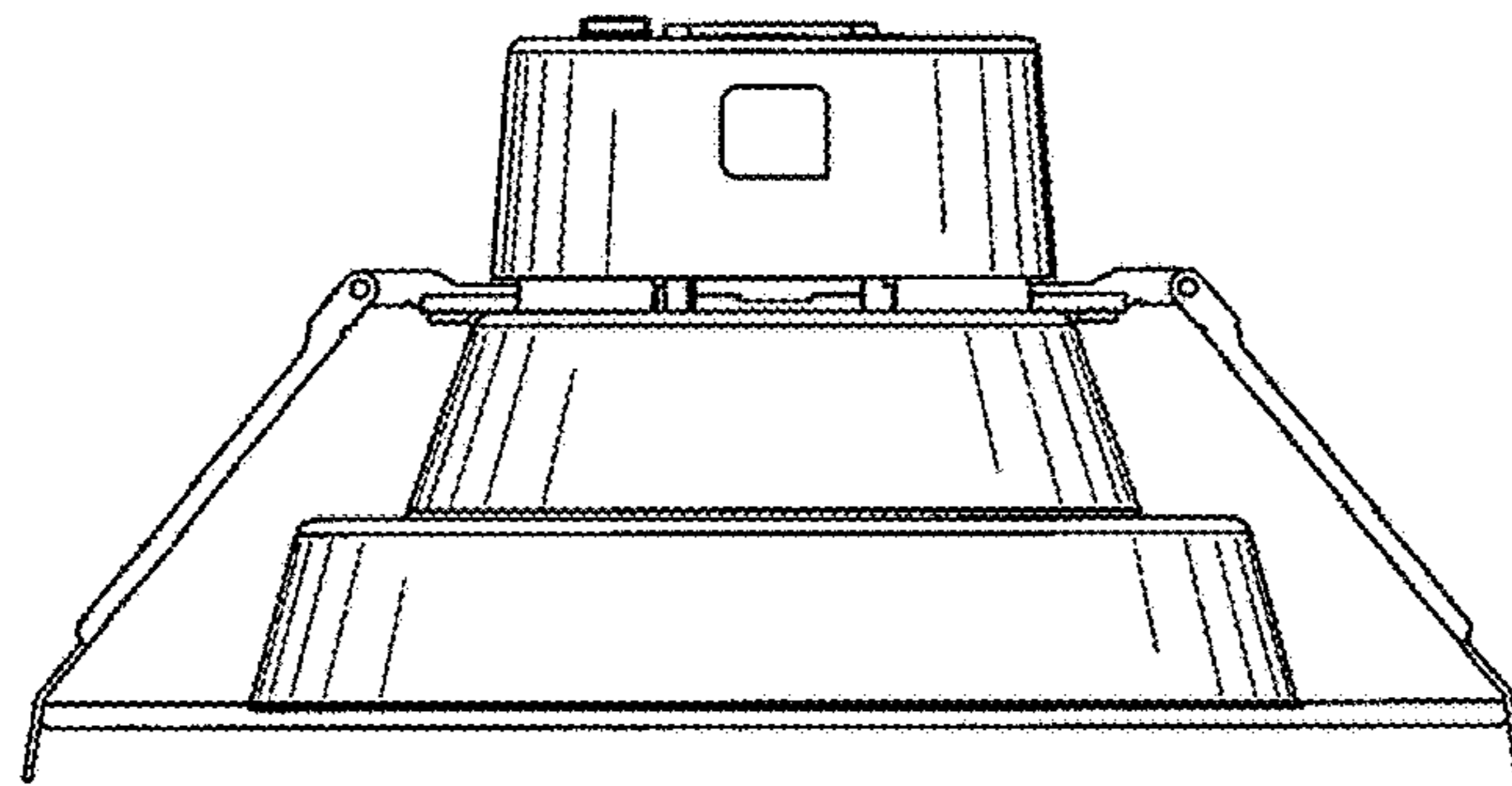


FIG. 7

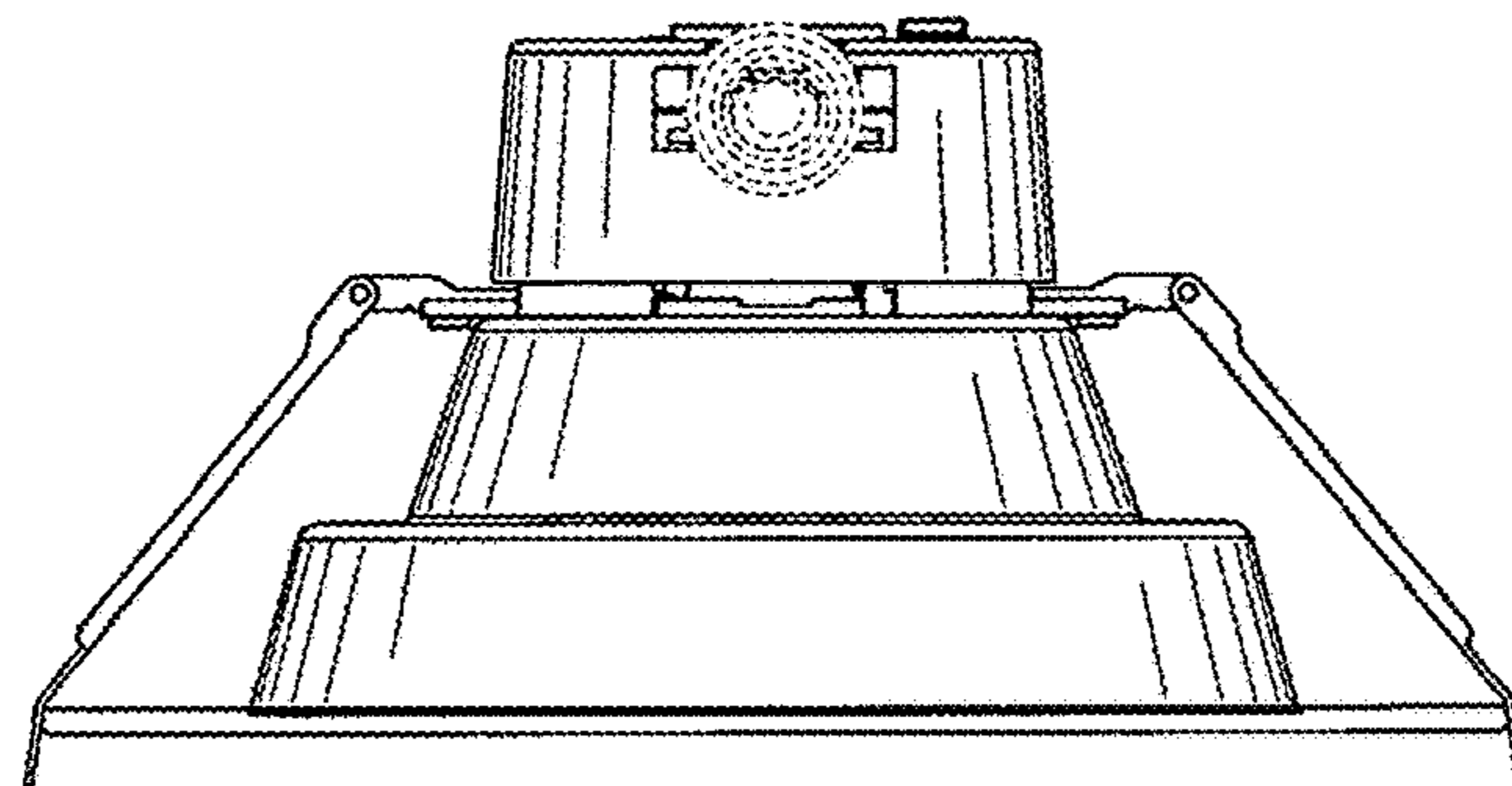


FIG. 8