



US00D824073S

(12) **United States Design Patent**
Guo

(10) **Patent No.:** **US D824,073 S**

(45) **Date of Patent:** **** Jul. 24, 2018**

(54) **LED LAMP**

(71) Applicant: **SHENZHEN SNC OPTO ELECTRONIC CO., LTD.**, Shenzhen (CN)

(72) Inventor: **Leiqing Guo**, Shenzhen (CN)

(73) Assignee: **SHENZHEN SNC OPTO ELECTRONIC CO., LTD.**, Shenzhen (CN)

(**) Term: **15 Years**

(21) Appl. No.: **29/591,314**

(22) Filed: **Jan. 19, 2017**

(51) **LOC (11) Cl.** **26-05**

(52) **U.S. Cl.**
USPC **D26/74**

(58) **Field of Classification Search**
USPC D26/74, 72, 75, 76, 77, 78, 85, 88, 89, D26/118, 138, 141; 362/364, 365, 373, 362/145, 146, 147, 148, 150, 153, 153.1, 362/294, 296.01, 296.07, 296.08
See application file for complete search history.

(56) **References Cited**

U.S. PATENT DOCUMENTS

D551,379 S * 9/2007 Maxik D26/74
D624,686 S * 9/2010 Toney, Jr. D26/72

D632,821 S * 2/2011 Culbert D26/74
D644,370 S * 8/2011 Lickiss D26/71
D673,712 S * 1/2013 Patel D26/74
D682,458 S * 5/2013 Calvin D26/74
D698,974 S * 2/2014 Aniserowicz D26/74
D703,861 S * 4/2014 Holland D26/89
D785,225 S * 4/2017 Gan D26/72
D804,076 S * 11/2017 Tong D26/74
D808,564 S * 1/2018 Zheng D26/72
D812,799 S * 3/2018 Shundong D26/72
2012/0057351 A1 * 3/2012 Wilcox F21V 19/0055
362/307

* cited by examiner

Primary Examiner — Angela J Lee

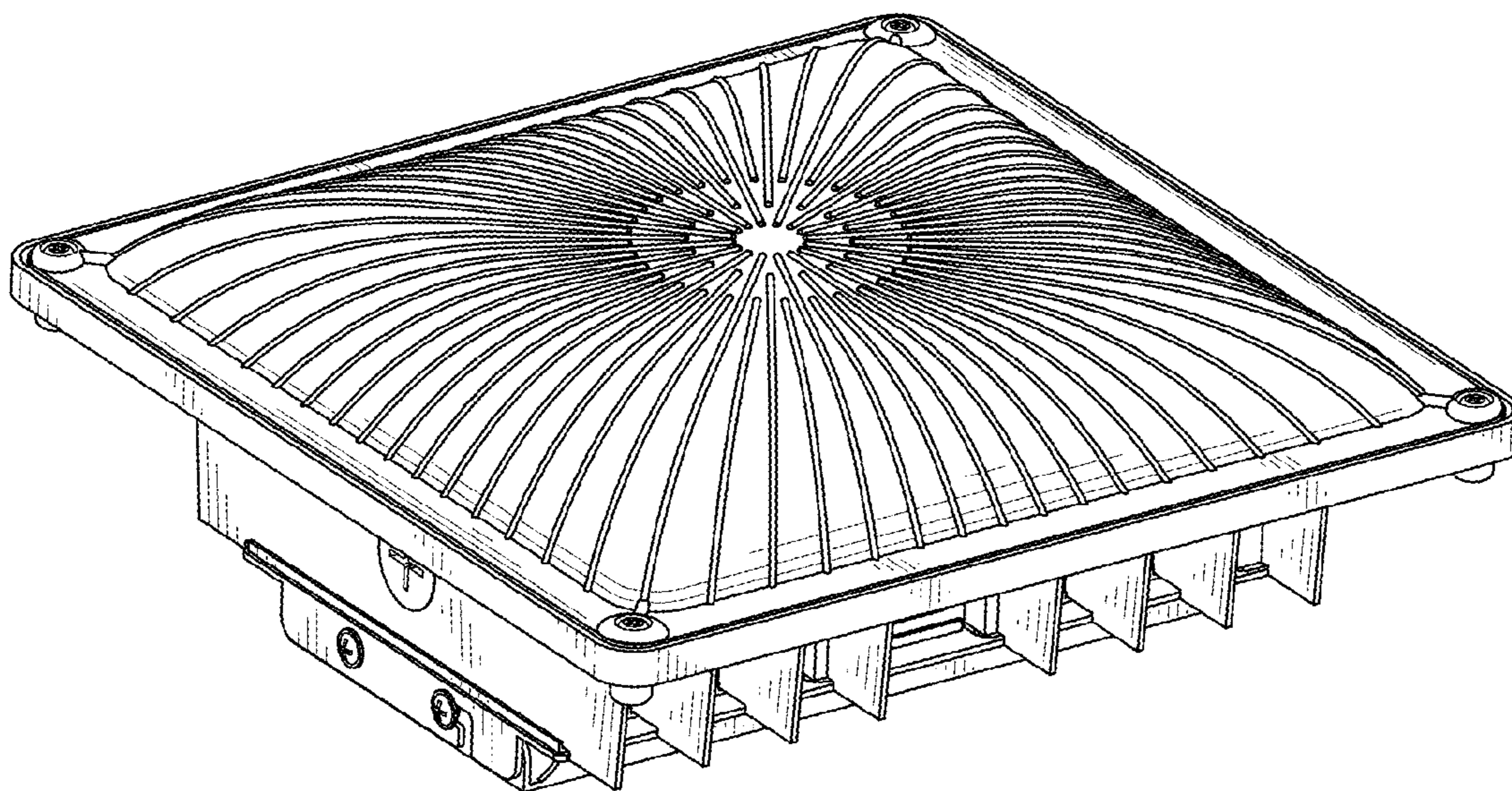
(57) **CLAIM**

The ornamental design for a LED lamp, as shown and described.

DESCRIPTION

FIG. 1 is a perspective view of the LED lamp showing my new design;
FIG. 2 is similar to FIG. 1, viewed from another aspect;
FIG. 3 is a front elevational view thereof;
FIG. 4 is a rear elevational view thereof;
FIG. 5 is a left side elevational view thereof;
FIG. 6 is a right side elevational view thereof;
FIG. 7 is a top plan view thereof; and,
FIG. 8 is a bottom plan view thereof.
The broken lines are for the purposes of illustration portions of the LED lamp and form no part of the claimed design.

1 Claim, 8 Drawing Sheets



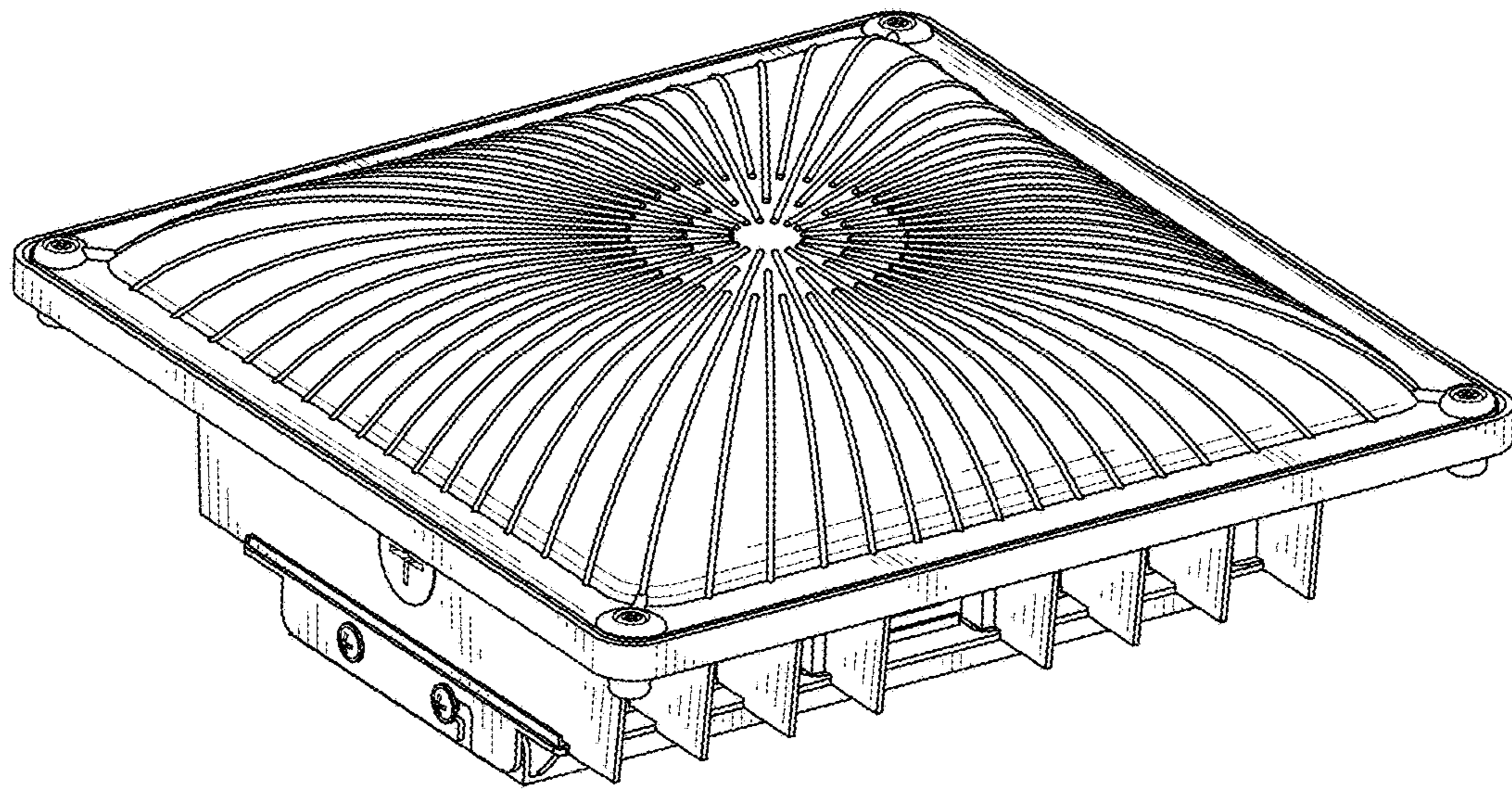


FIG. 1

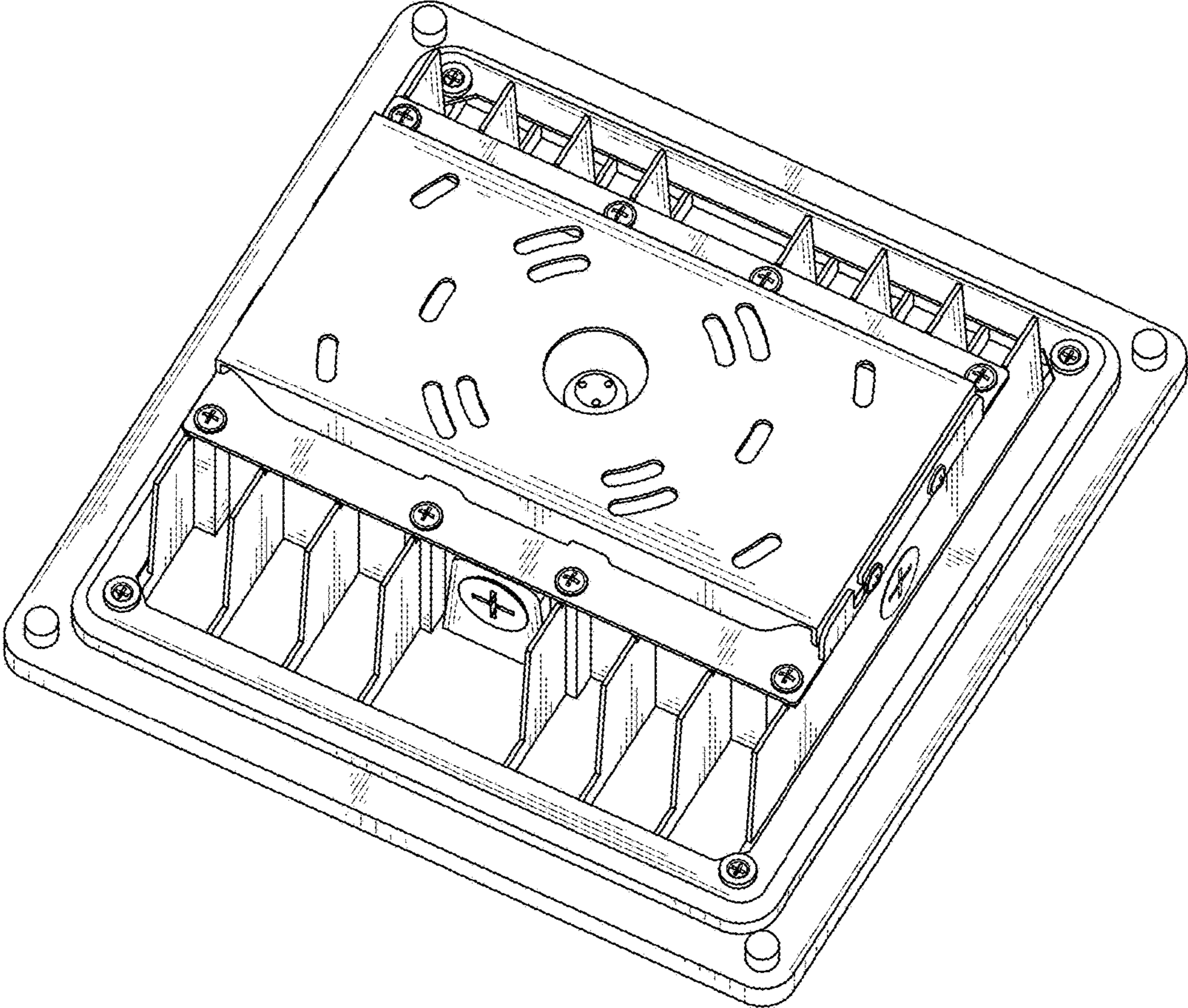


FIG. 2

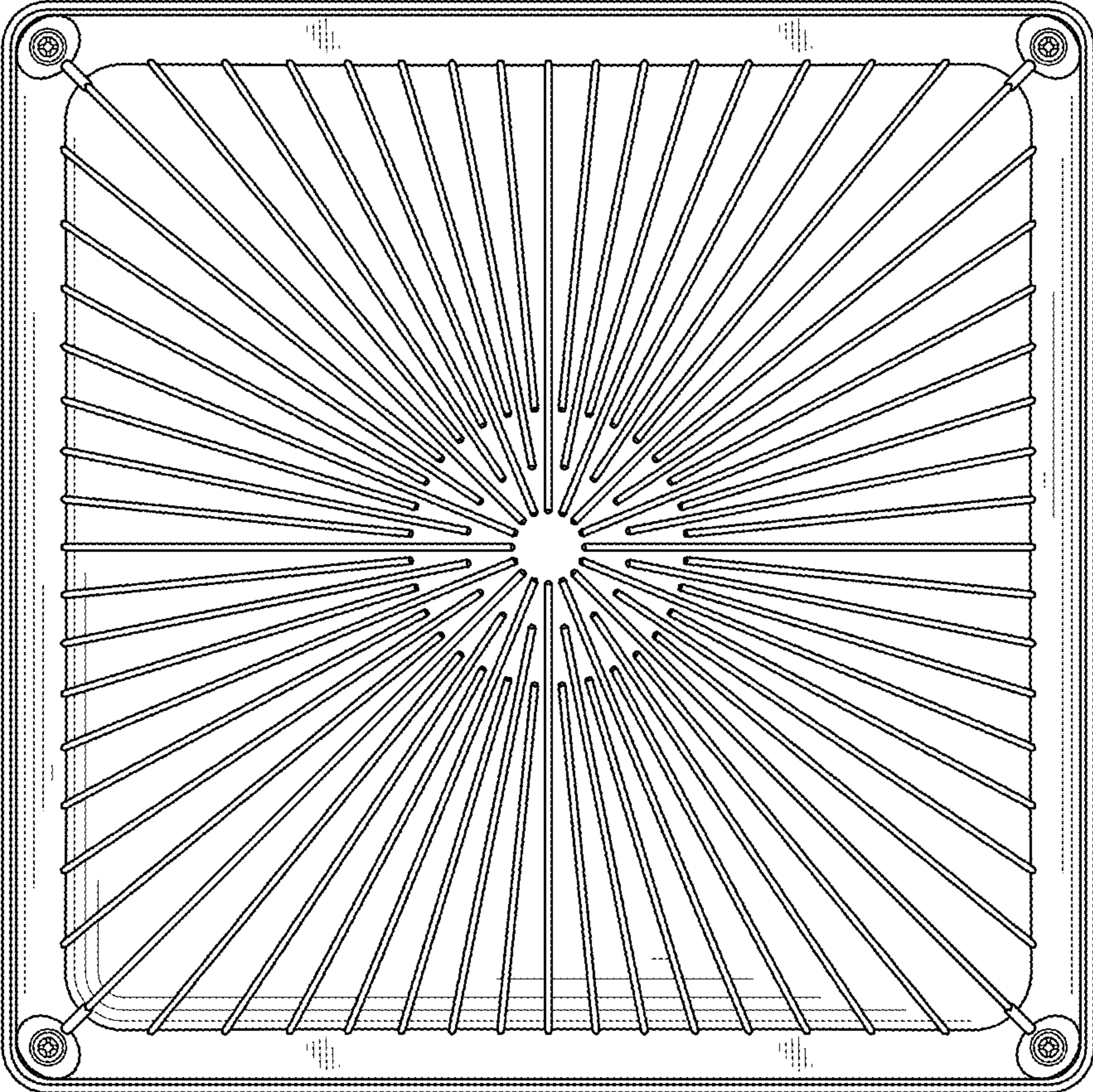


FIG. 3

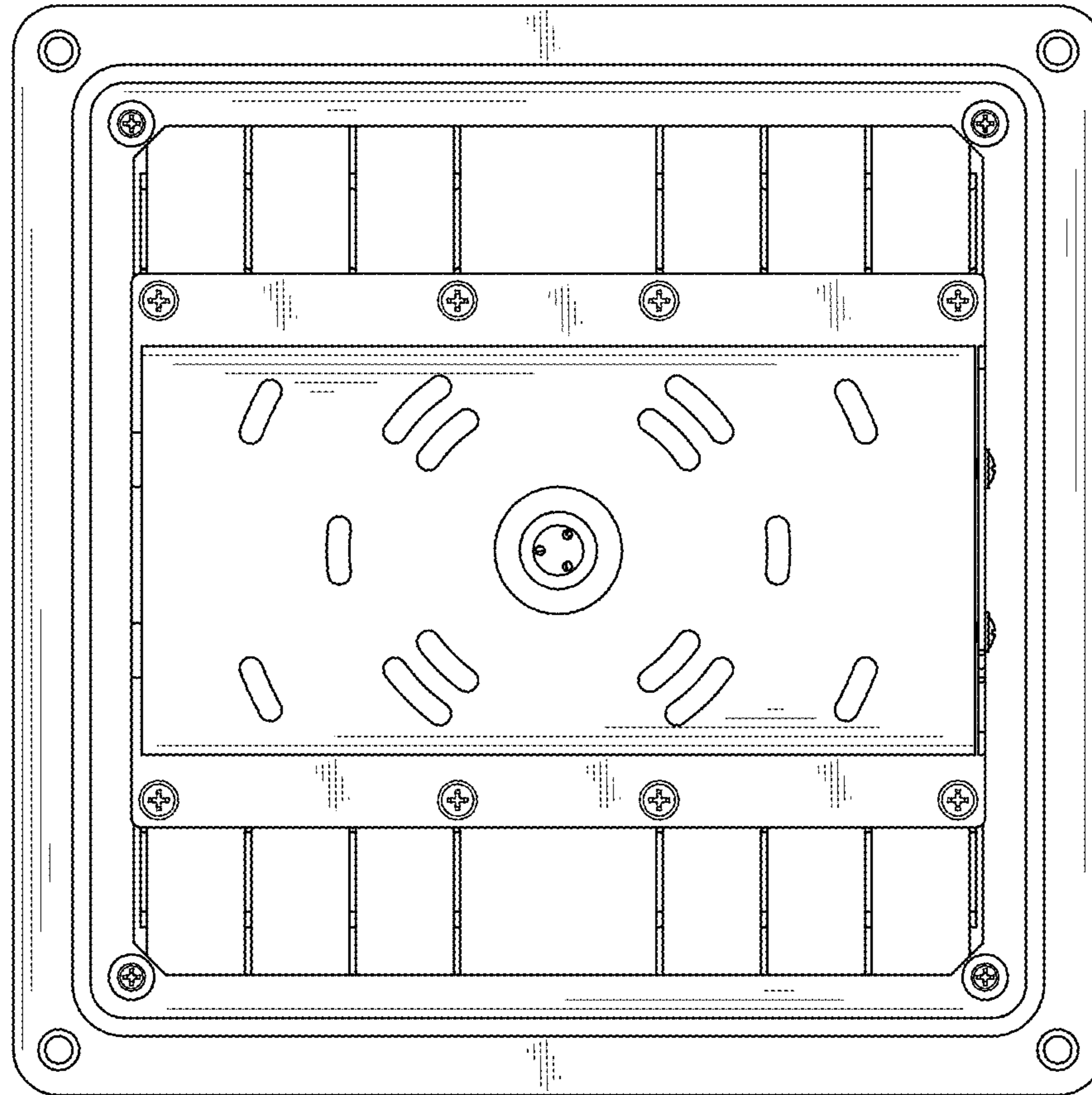


FIG. 4

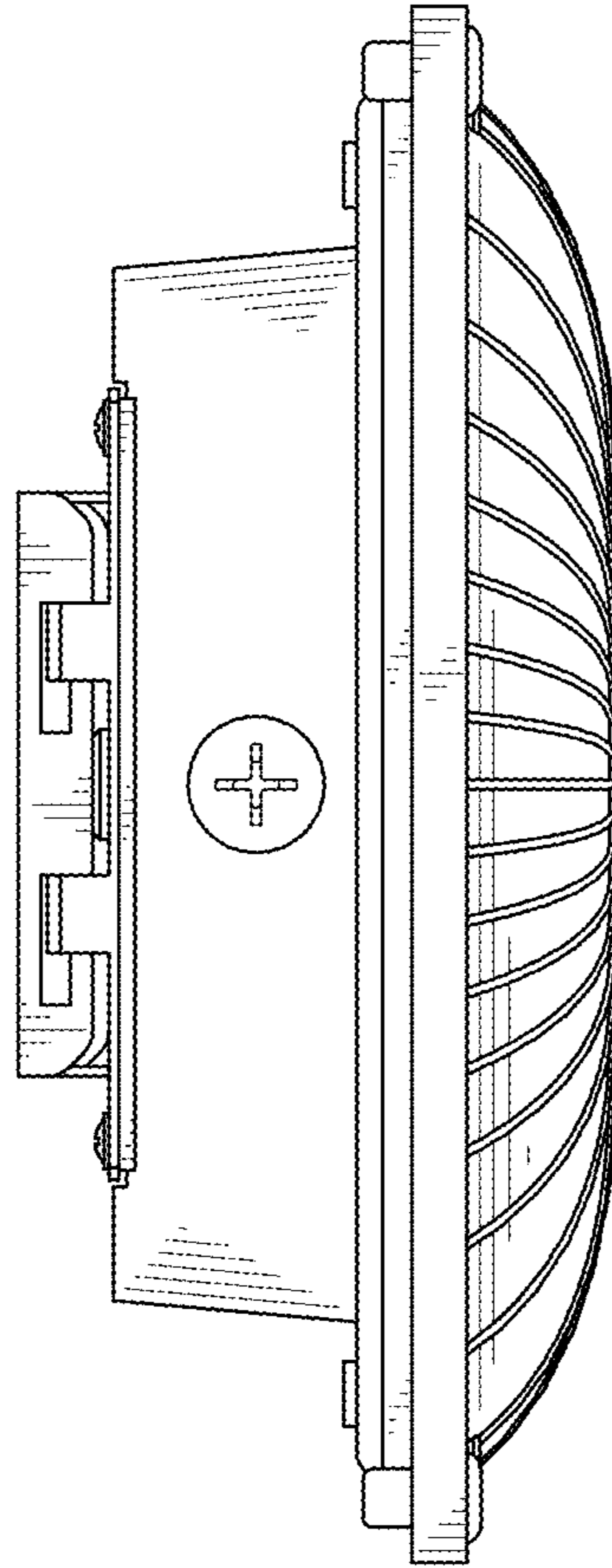


FIG. 5

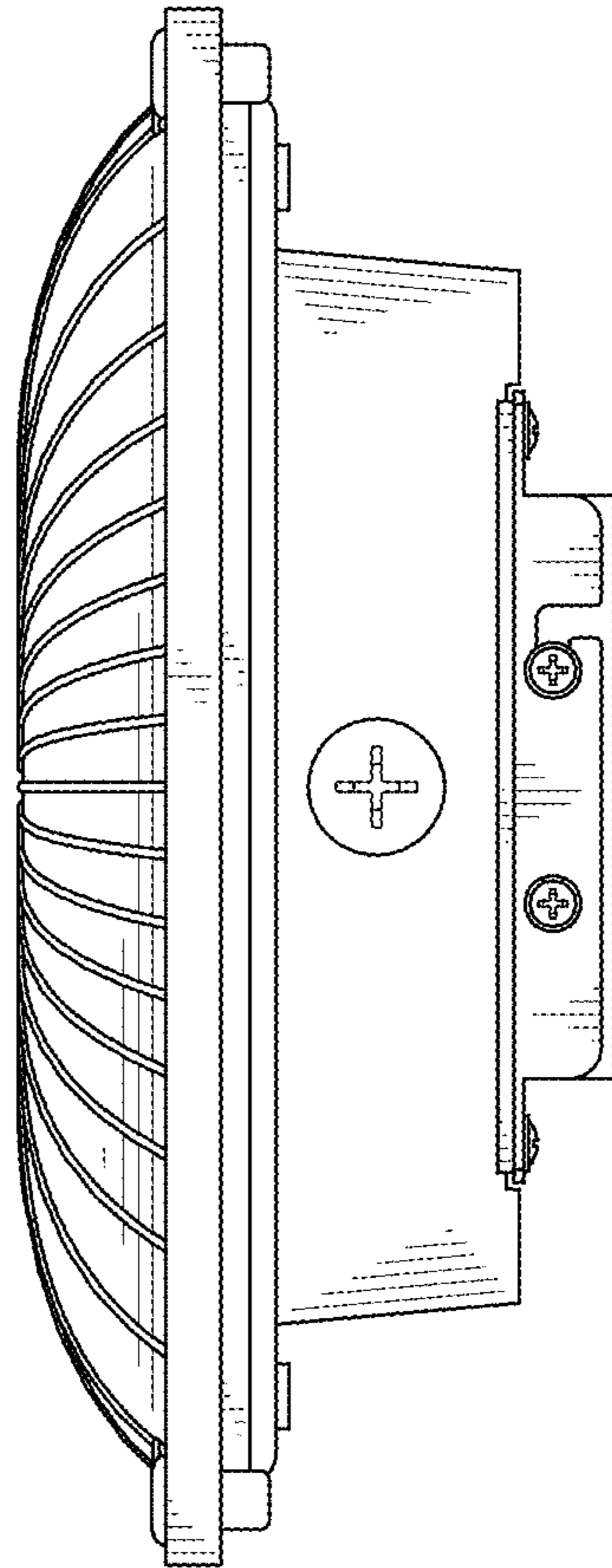


FIG. 6

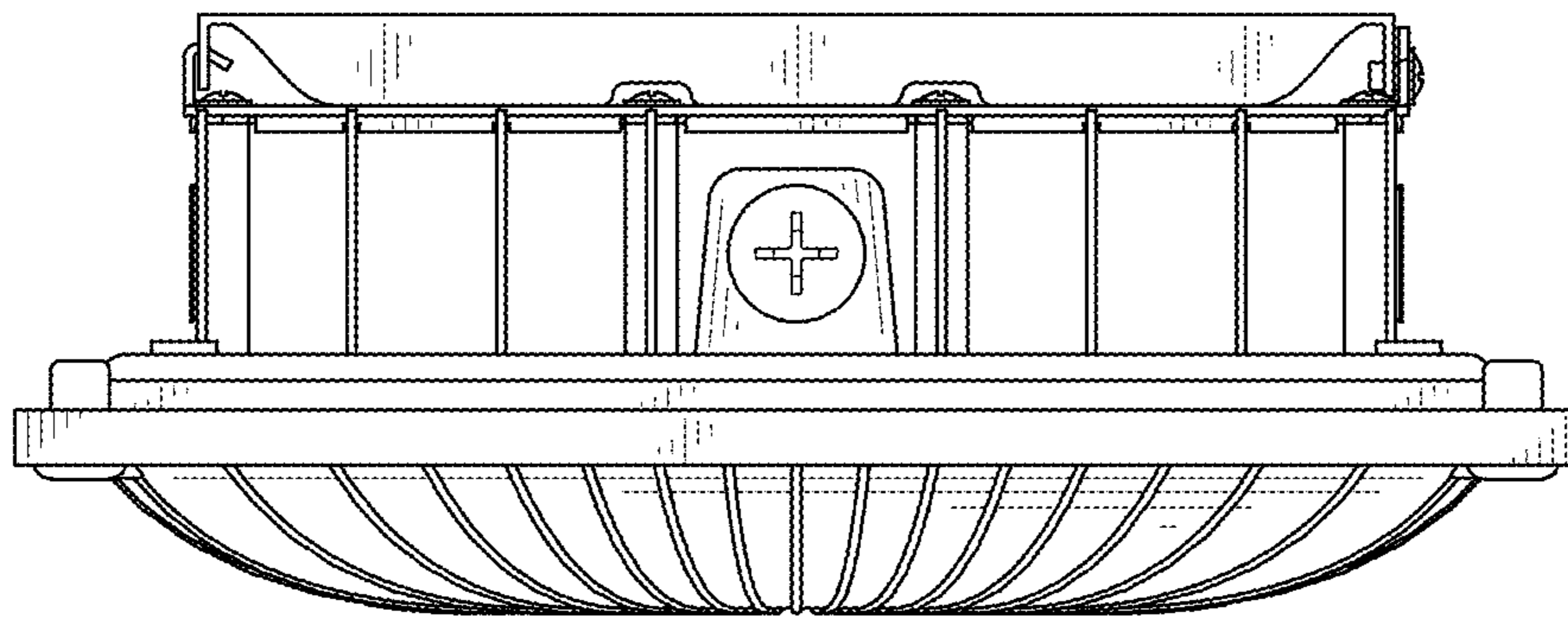


FIG. 7

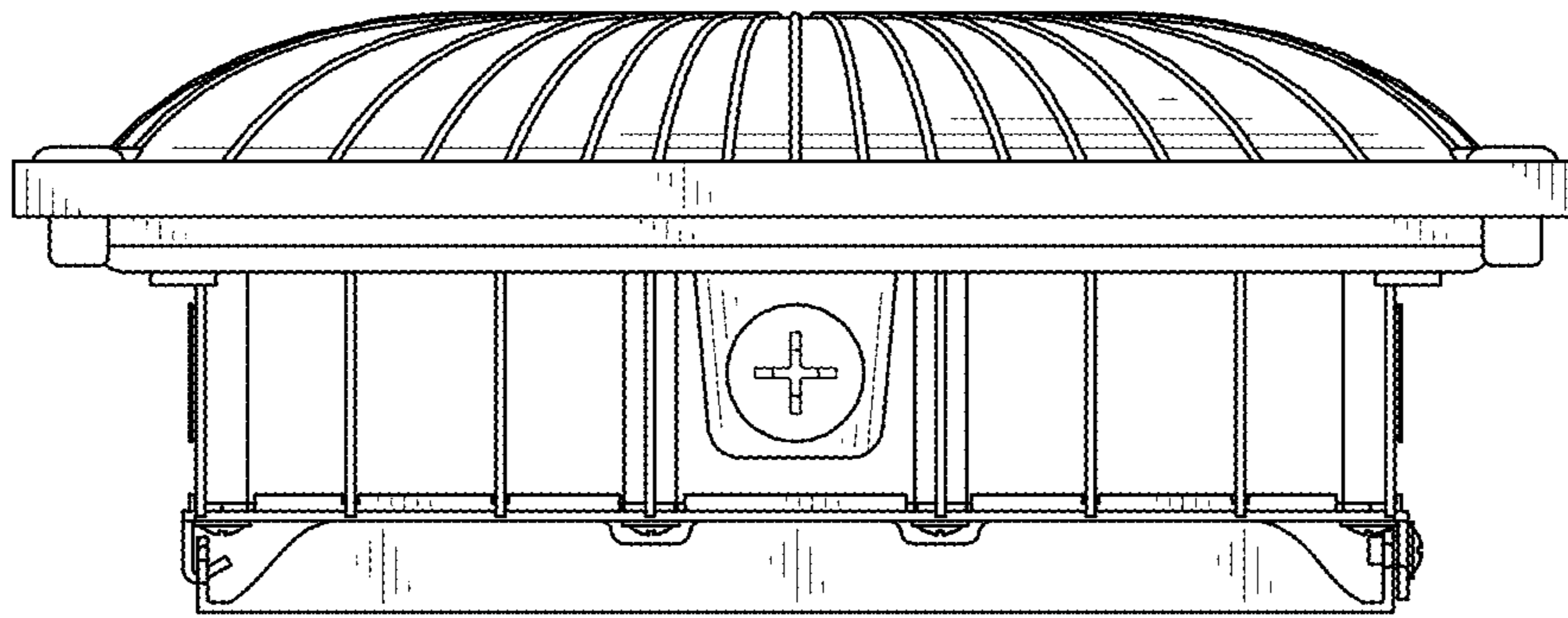


FIG. 8