



US00D824070S

(12) **United States Design Patent**  
**Harper**

(10) **Patent No.:** **US D824,070 S**

(45) **Date of Patent:** **\*\* Jul. 24, 2018**

(54) **LANDSCAPE LIGHT**

(71) Applicant: **Volt, LLC**, Tampa, FL (US)

(72) Inventor: **Jesse Daniel Harper**, Wesley Chapel, FL (US)

(73) Assignee: **Volt, LLC**, Tampa, FL (US)

(\*\*) Term: **15 Years**

(21) Appl. No.: **29/577,629**

(22) Filed: **Sep. 14, 2016**

(51) **LOC (11) Cl.** ..... **26-05**

(52) **U.S. Cl.**  
USPC ..... **D26/68**

(58) **Field of Classification Search**  
USPC ..... D26/67-70, 85, 142, 153, 154  
CPC .. F21S 8/032; F21S 8/081; F21S 9/037; F21S 9/03; F21W 2131/109

See application file for complete search history.

(56) **References Cited**

**U.S. PATENT DOCUMENTS**

D51,044 S *	7/1917	Mohrmann	.....	D26/67
D51,774 S *	2/1918	Coppinger	.....	D26/67
D51,810 S *	2/1918	Jones	.....	D26/154
D65,437 S *	8/1924	Gosling	.....	D26/67
D68,755 S *	11/1925	Abrams	.....	D26/154
D69,132 S *	12/1925	Gosling	.....	D26/67
D73,930 S *	11/1927	Lindsay	.....	D26/67
D76,549 S *	10/1928	Paxson	.....	D26/67
D82,636 S *	11/1930	Underwood	.....	D26/67
D83,105 S *	1/1931	Haas	.....	D26/70
D163,786 S *	7/1951	Black	.....	D26/154
D179,686 S *	2/1957	Jacobsen et al.	.....	D26/67
D208,663 S *	9/1967	Daum	.....	D26/67
D208,664 S *	9/1967	Daum	.....	D26/67
D211,394 S *	6/1968	Bernstein	.....	D26/67
D343,243 S *	1/1994	Ewing	.....	D26/67
D388,899 S *	1/1998	Hoffman	.....	D26/67

D416,104 S *	11/1999	Miranda	.....	D26/154
D427,352 S *	6/2000	Miranda	.....	D26/67
D481,819 S *	11/2003	Cheong	.....	D26/67
D515,725 S *	2/2006	Trivino	.....	D26/67
D520,175 S *	5/2006	Sheng	.....	D26/156
D522,682 S *	6/2006	Burke	.....	D26/67
D541,969 S *	5/2007	Bucher	.....	D26/67
D549,381 S *	8/2007	Curtin	.....	D26/67
D557,437 S *	12/2007	Hsu	.....	D26/67
D574,534 S *	8/2008	Lastimosa	.....	D26/67

(Continued)

*Primary Examiner* — Clare E Heflin

(74) *Attorney, Agent, or Firm* — Nelson Mullins Riley & Scarborough, LLP

(57) **CLAIM**

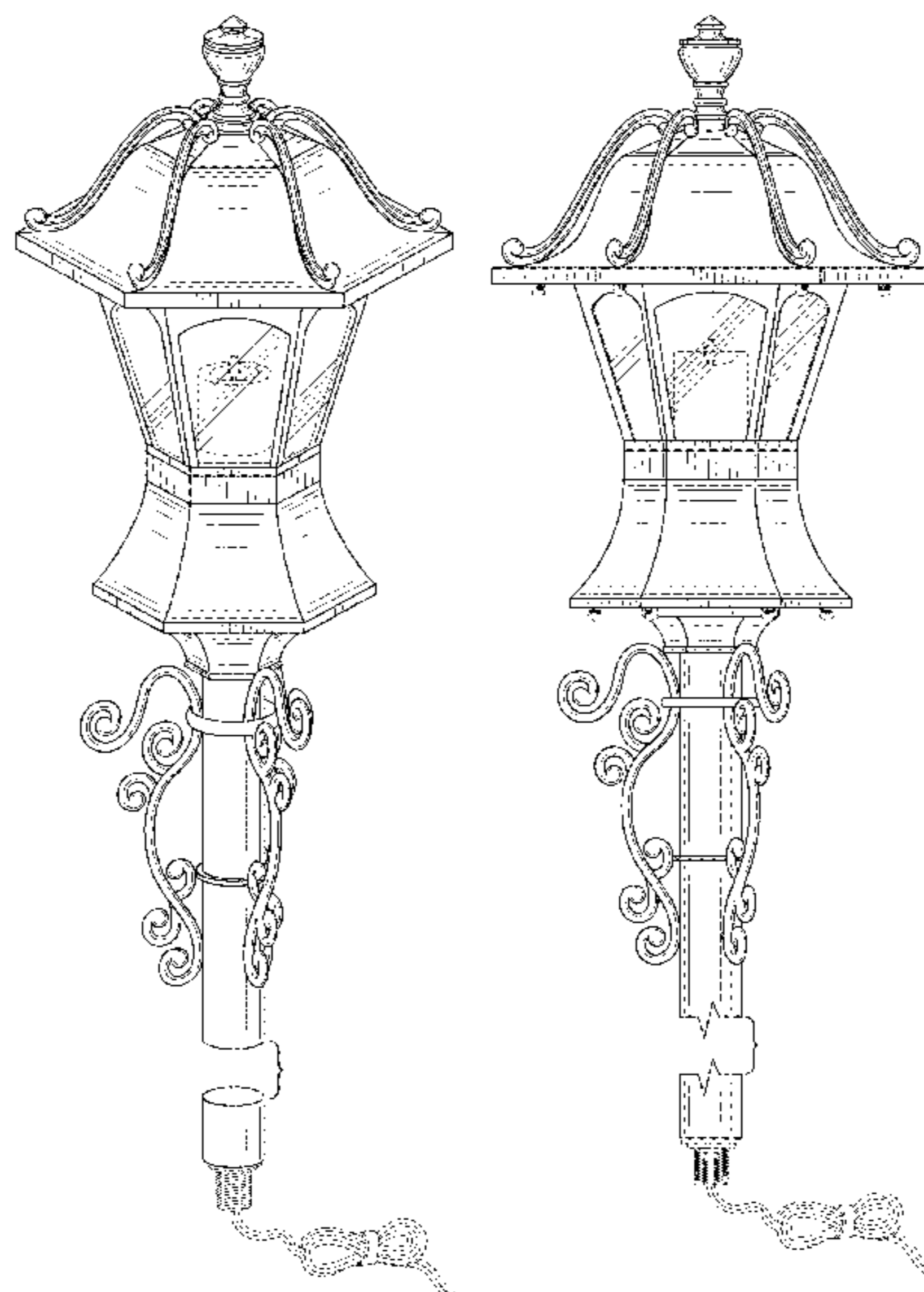
The ornamental design for a landscape light, as shown and described.

**DESCRIPTION**

FIG. 1 is a front perspective view of a landscape light embodying the design of the present invention;  
 FIG. 2 is a right side elevational view of the landscape light illustrated in FIG. 1;  
 FIG. 3 is a left side elevational view of the landscape light illustrated in FIG. 1;  
 FIG. 4 is a rear elevational view of the landscape light illustrated in FIG. 1;  
 FIG. 5 is a front elevational view of the landscape light illustrated in FIG. 1;  
 FIG. 6 is a top plan view of the landscape light illustrated in FIG. 1; and,  
 FIG. 7 is a bottom plan view of the landscape light illustrated in FIG. 1.

The break lines shown in the drawings indicate that the appearance of any portion of the article between the break lines forms no part of the claimed design; and the portions of the landscape light shown in broken lines form no part of the claimed design.

**1 Claim, 6 Drawing Sheets**



(56)

**References Cited**

U.S. PATENT DOCUMENTS

D617,490 S	*	6/2010	Hackett .....	D26/67
D629,551 S	*	12/2010	Jing .....	D26/67
D631,390 S	*	1/2011	Izardel .....	D11/144
D672,074 S	*	12/2012	Compton .....	D26/67
D728,841 S	*	5/2015	Kuhnke .....	D26/67

\* cited by examiner

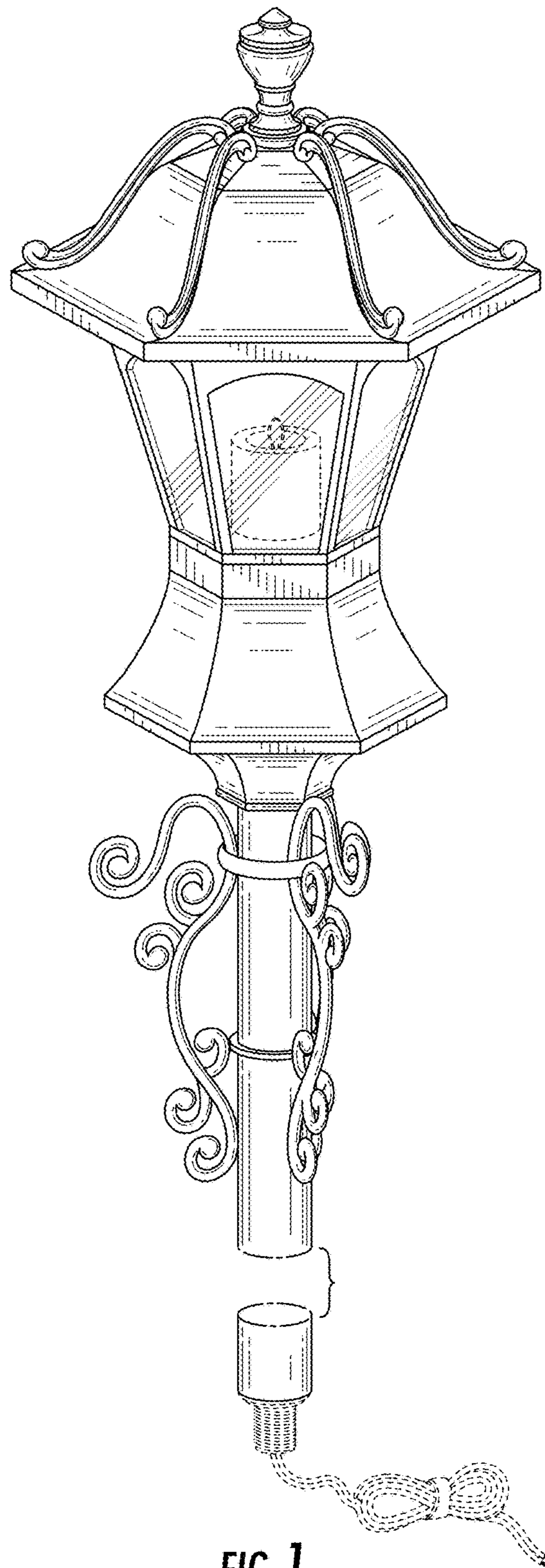


FIG. 1

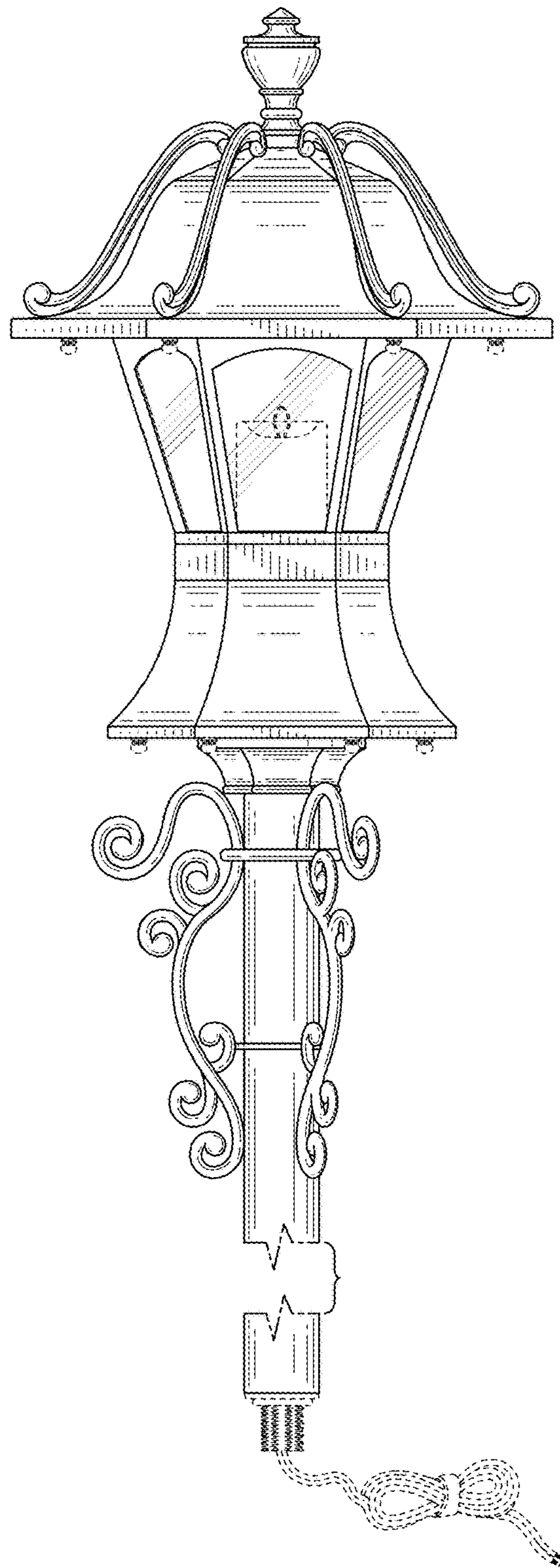


FIG. 2

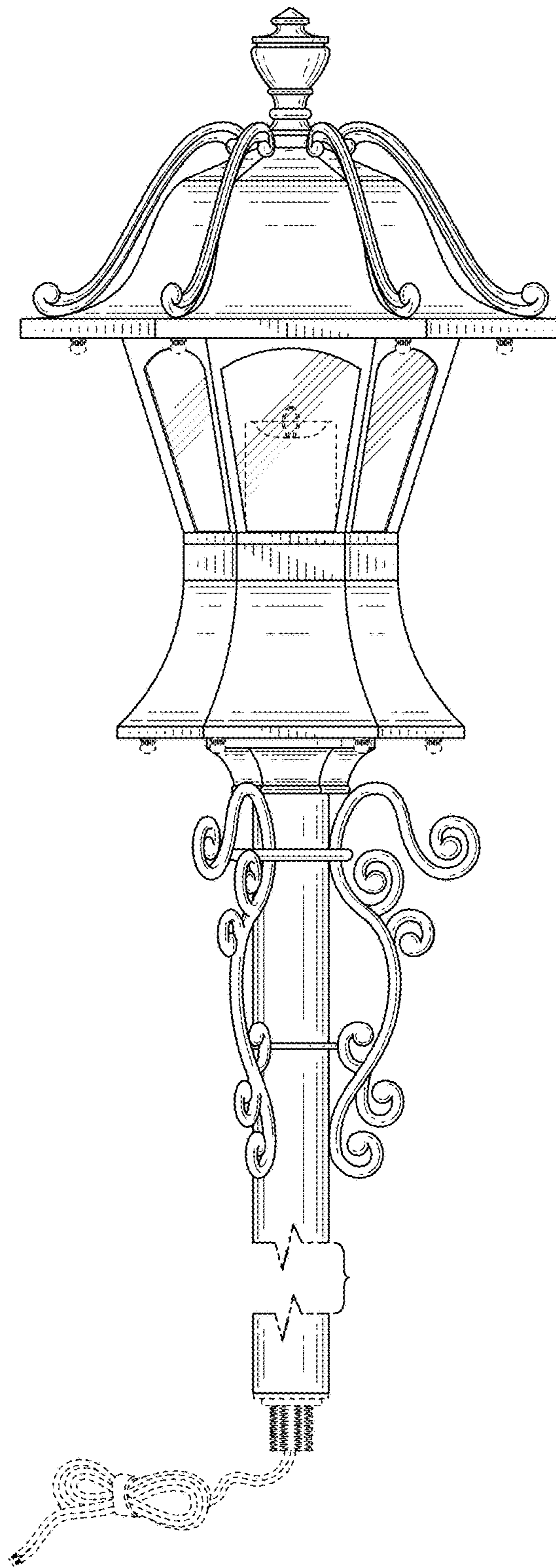


FIG. 3

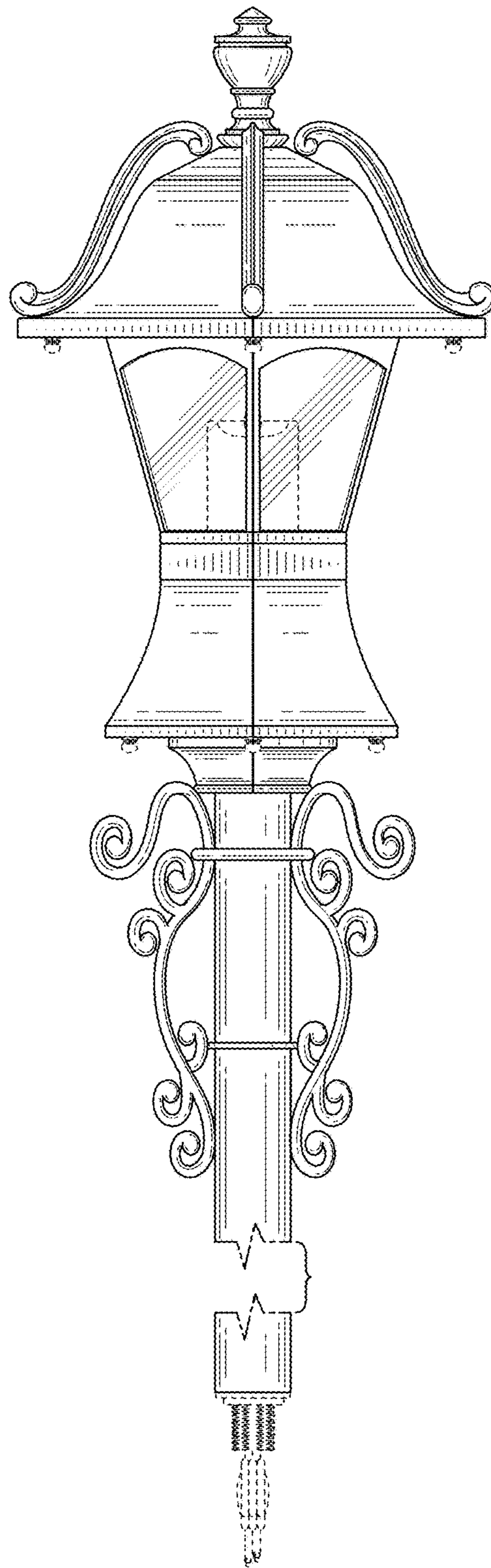


FIG. 4

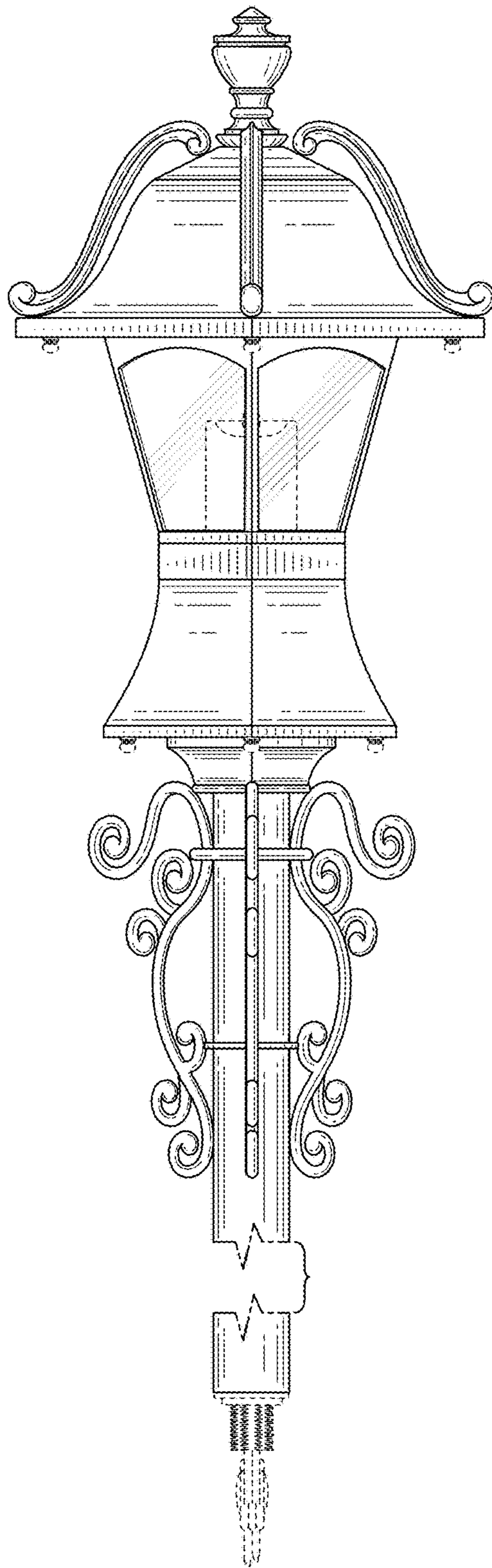
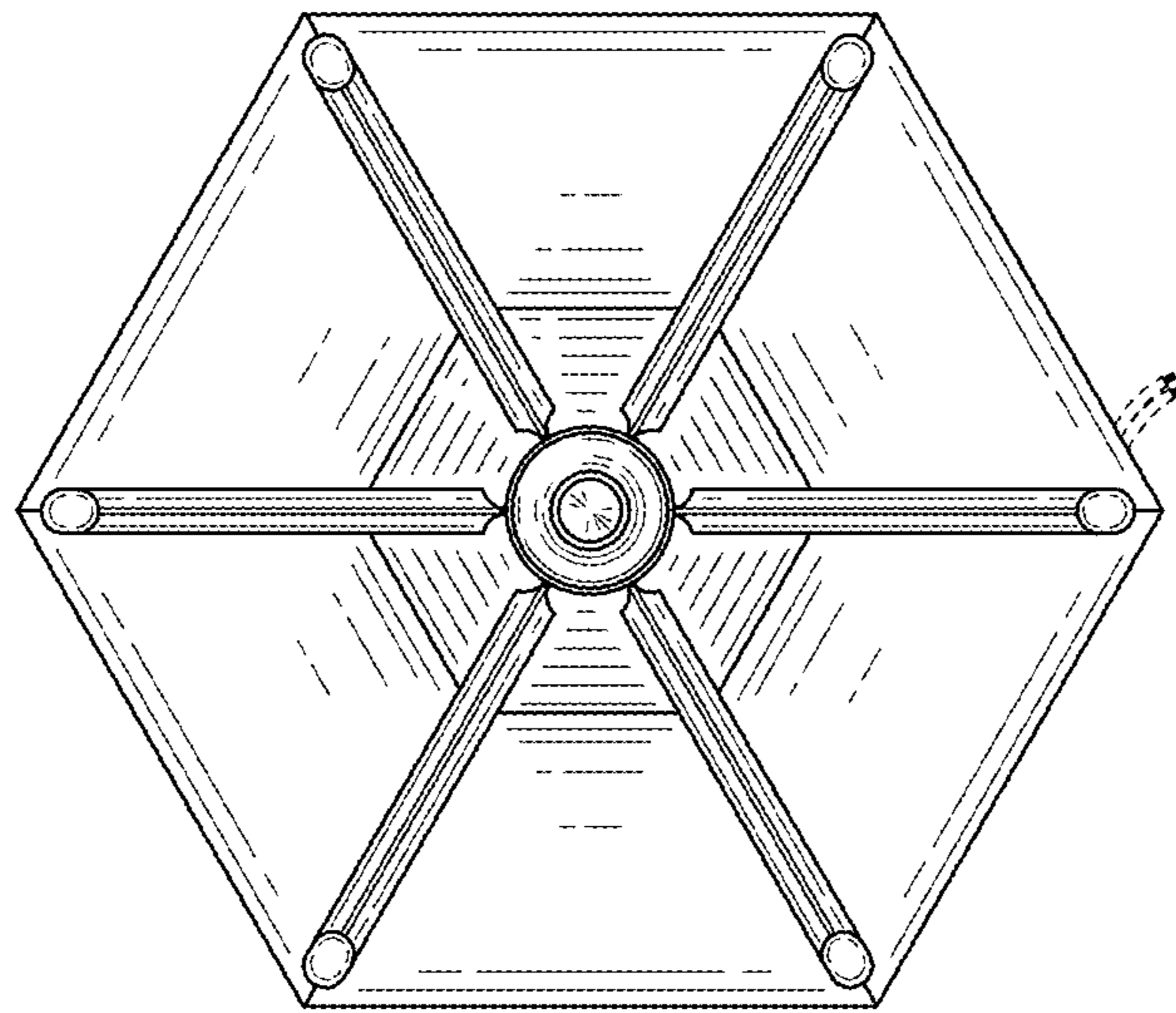
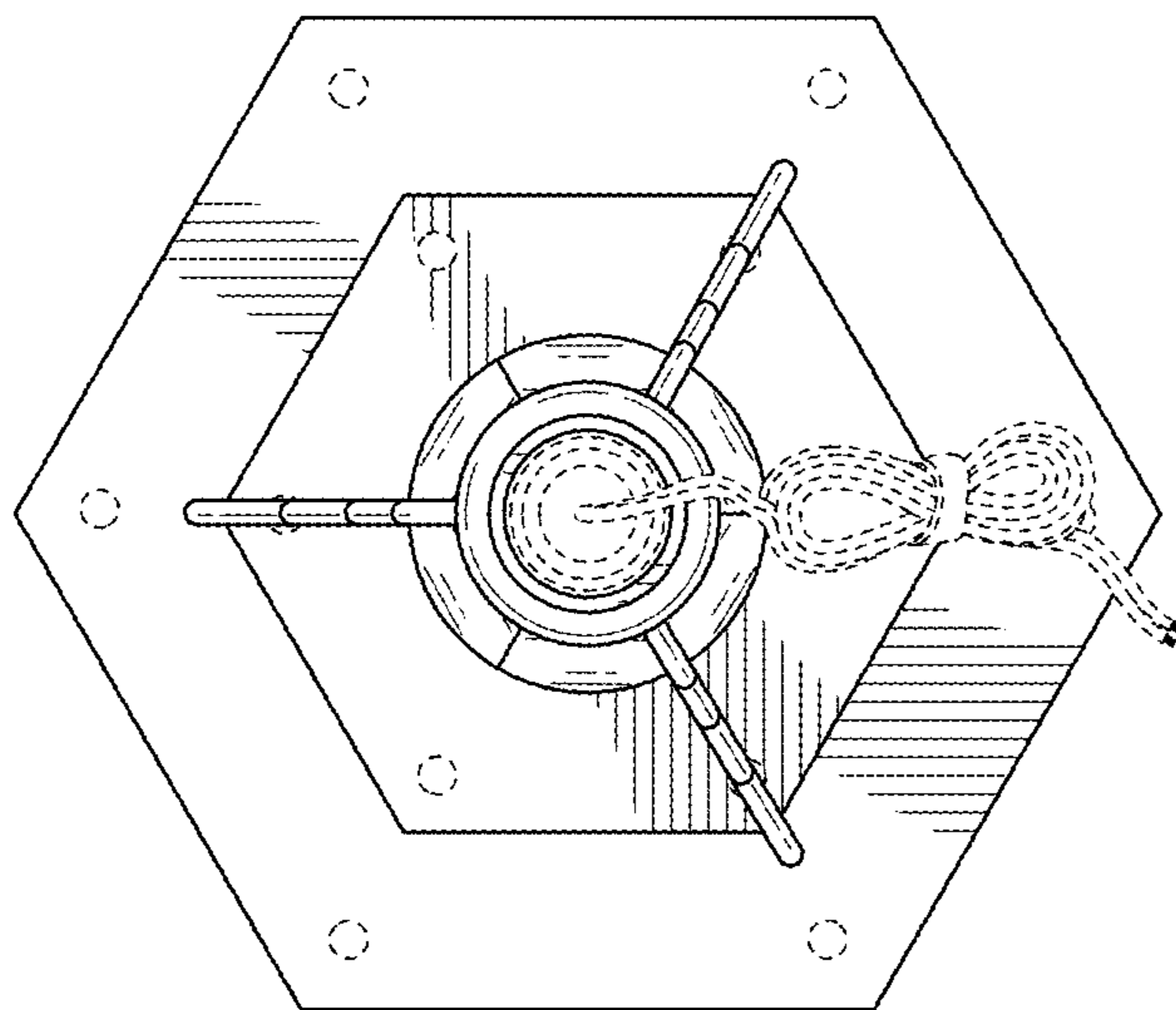


FIG. 5



**FIG. 6**



**FIG. 7**