



US00D824069S

(12) **United States Design Patent**
Chen

(10) **Patent No.:** **US D824,069 S**

(45) **Date of Patent:** **** Jul. 24, 2018**

(54) **LANDSCAPE LIGHT**

(71) Applicant: **Chia-Teh Chen**, Taipei (TW)

(72) Inventor: **Chia-Teh Chen**, Taipei (TW)

(**) Term: **15 Years**

(21) Appl. No.: **29/616,547**

(22) Filed: **Sep. 7, 2017**

(51) **LOC (11) Cl.** **26-05**

(52) **U.S. Cl.**
USPC **D26/67**

(58) **Field of Classification Search**
USPC D26/67, 68, 85, 119, 129, 131, 132
CPC F21S 8/032; F21S 8/081; F21S 9/03; F21S
9/037; F21W 2131/109; F21W 2111/02;
F21W 2111/023; F21W 2111/06; F21V
21/0824
See application file for complete search history.

(56) **References Cited**

U.S. PATENT DOCUMENTS

D485,930 S * 1/2004 Chen D26/67
D503,008 S * 3/2005 Chen D26/67
D629,951 S * 12/2010 Sooferian D26/68

D629,952 S * 12/2010 Sooferian D26/68
D653,785 S * 2/2012 Chen D26/68
D663,461 S * 7/2012 Schefers D26/68
D678,575 S * 3/2013 Chen D26/67
D694,930 S * 12/2013 Meyer D26/67
D707,380 S * 6/2014 Sooferian D26/68
D716,988 S * 11/2014 Sooferian D26/68
D784,590 S * 4/2017 Galipeau D26/68

* cited by examiner

Primary Examiner — Clare E Heflin

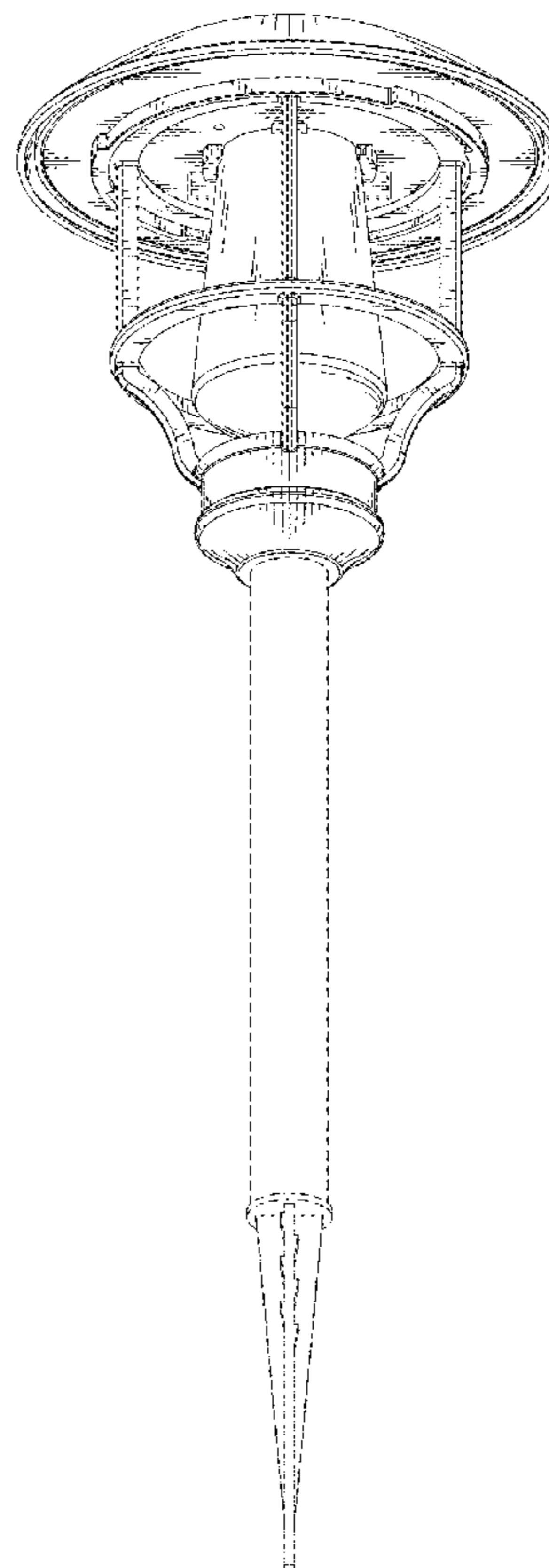
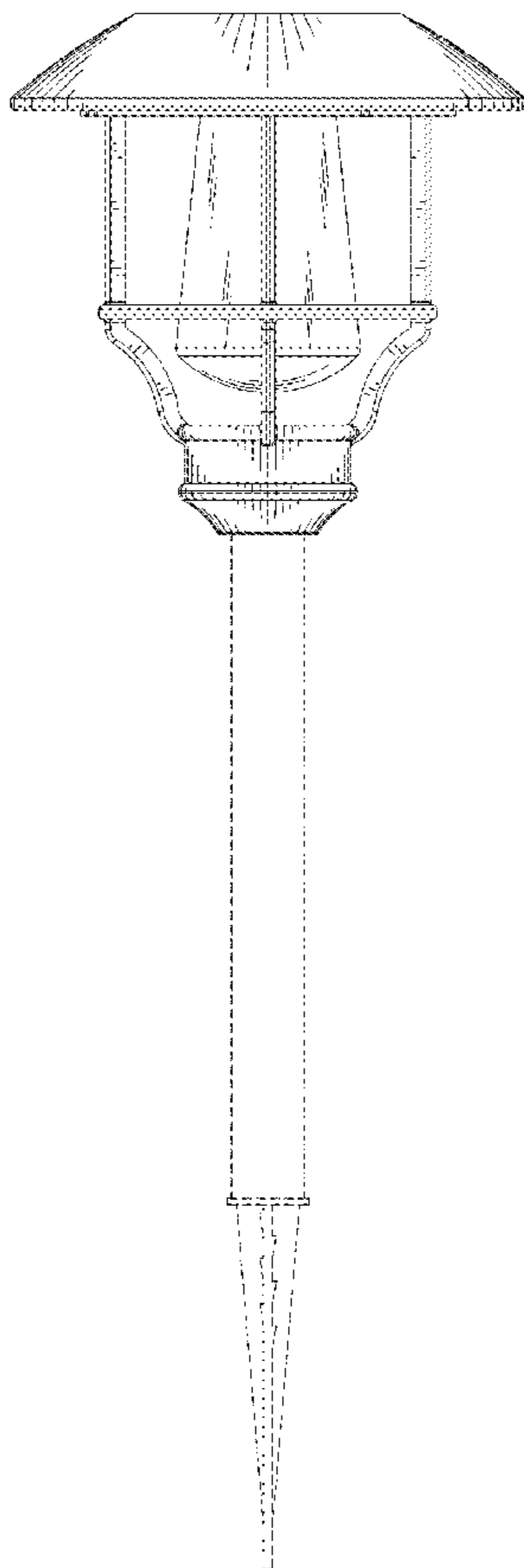
(57) **CLAIM**

The ornamental design for a “landscape light,” as shown and described.

DESCRIPTION

FIG. 1 is a top perspective view of a landscape light showing my new design;
FIG. 2 is a front elevation view thereof;
FIG. 3 is a rear elevation view thereof;
FIG. 4 is a left side elevation view thereof;
FIG. 5 is a right side elevation view thereof;
FIG. 6 is a top plan view thereof;
FIG. 7 is a bottom plan view thereof; and,
FIG. 8 is a bottom perspective view thereof.
The broken lines shown represent unclaimed subject matter and form no part of the claimed design.

1 Claim, 7 Drawing Sheets



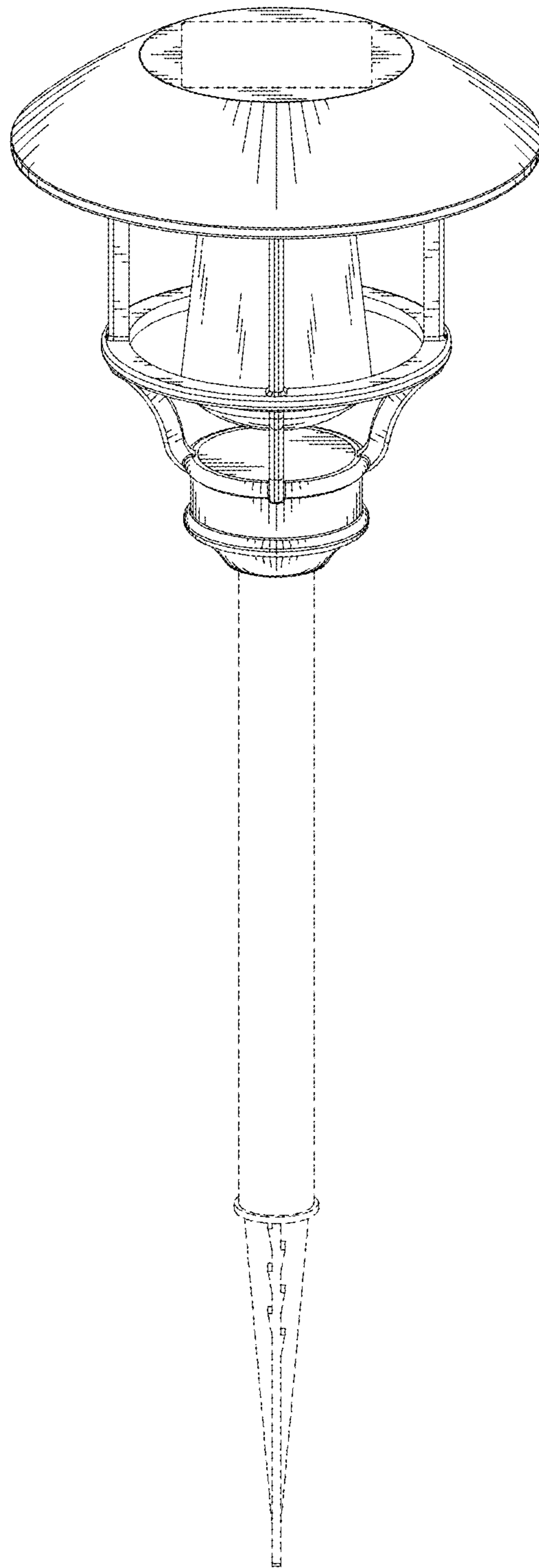


FIG. 1

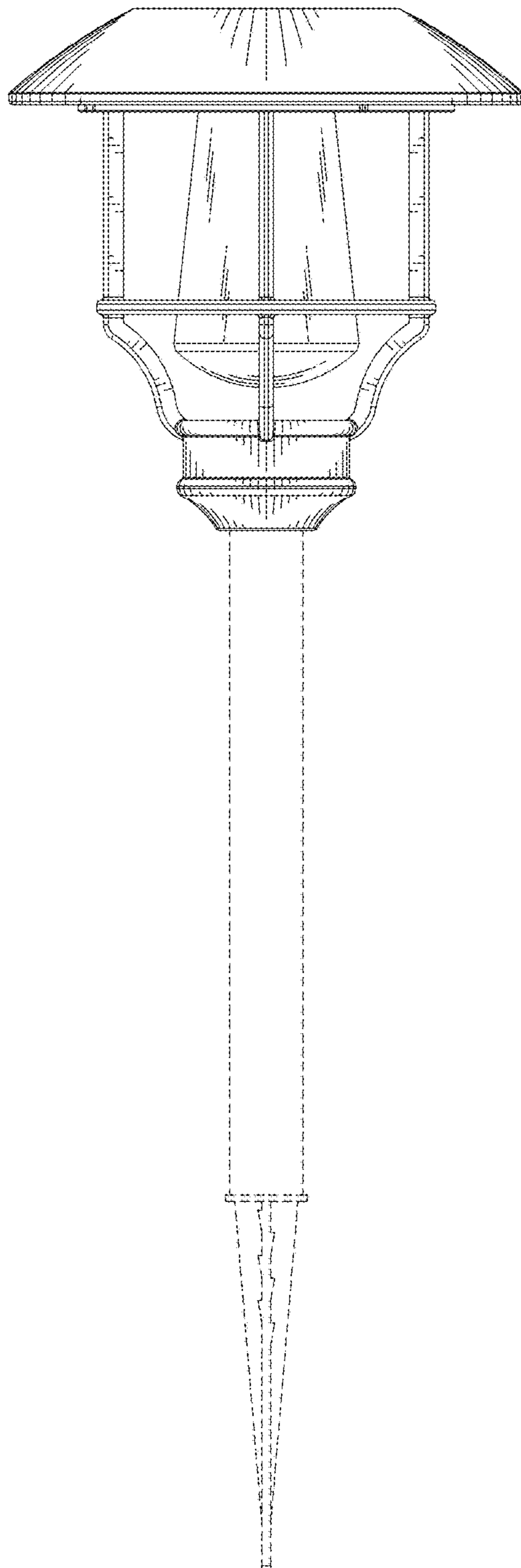


FIG. 2

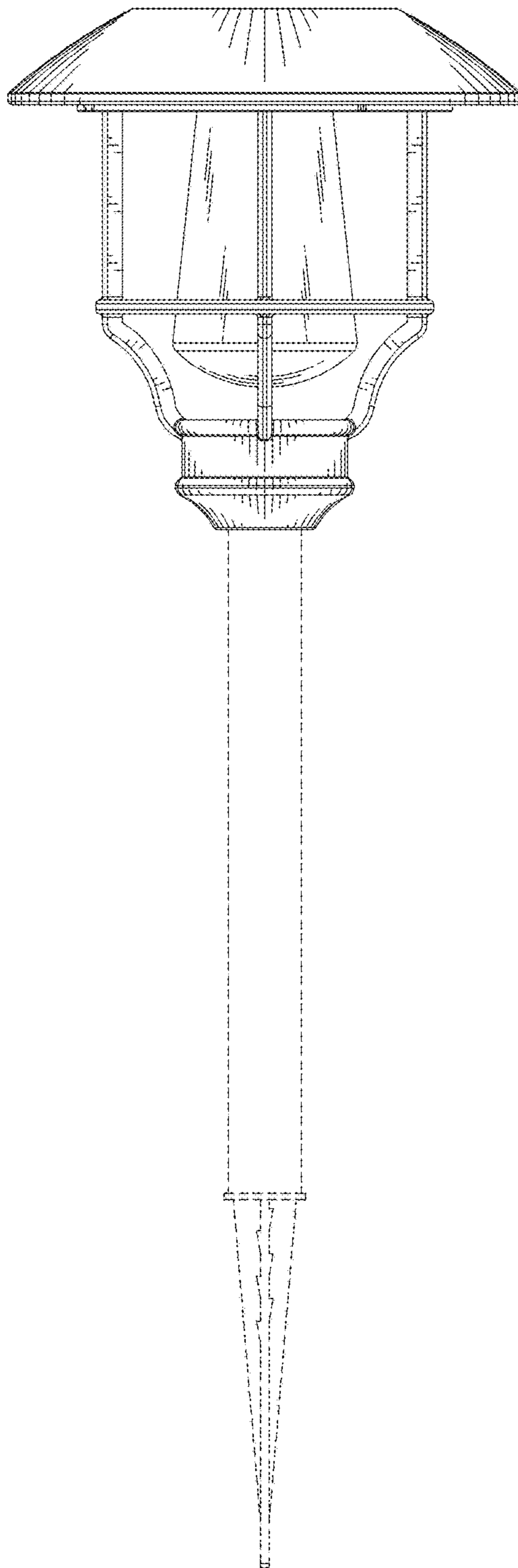


FIG. 3

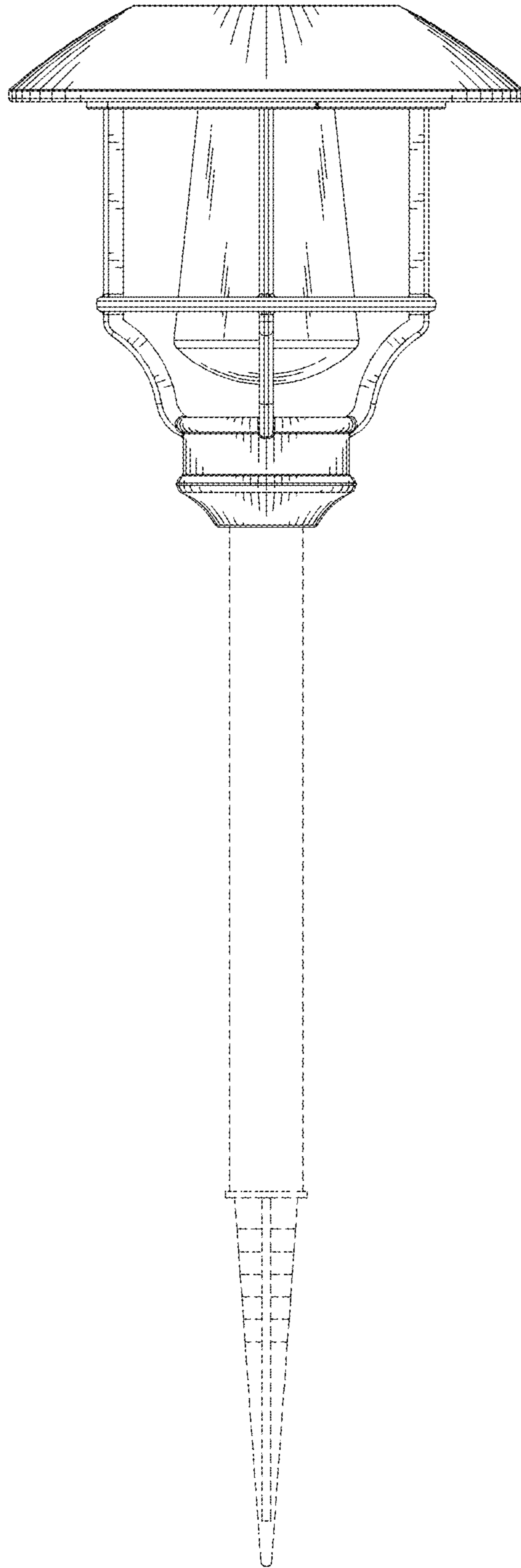


FIG. 4

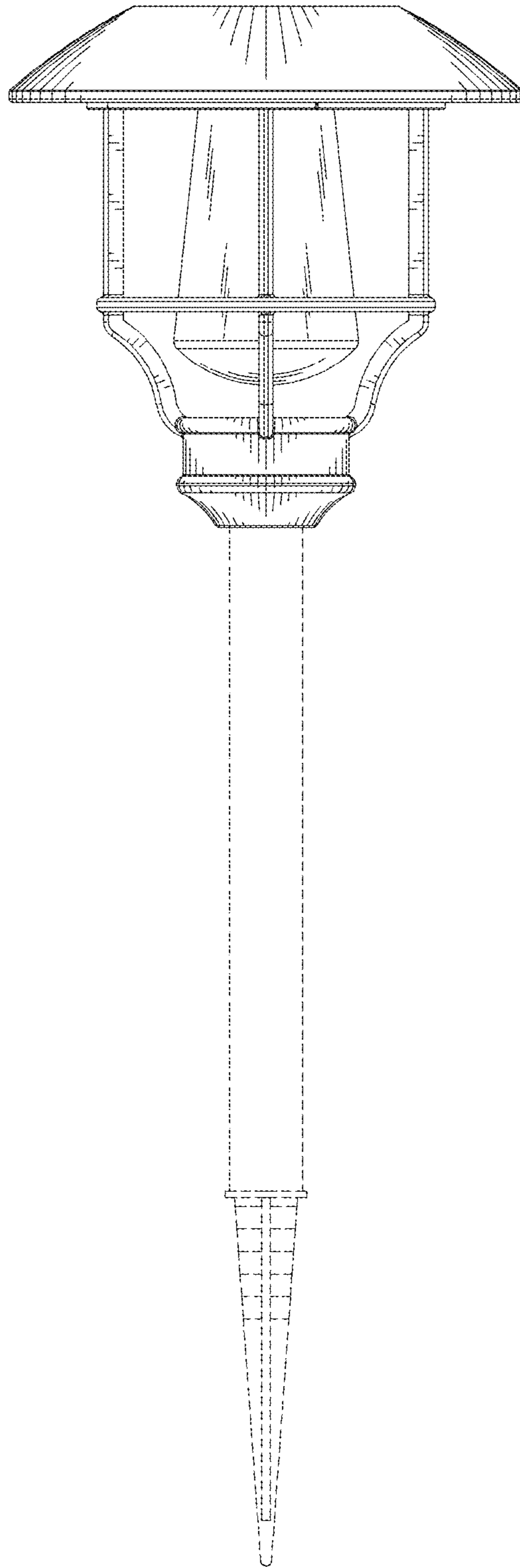


FIG. 5

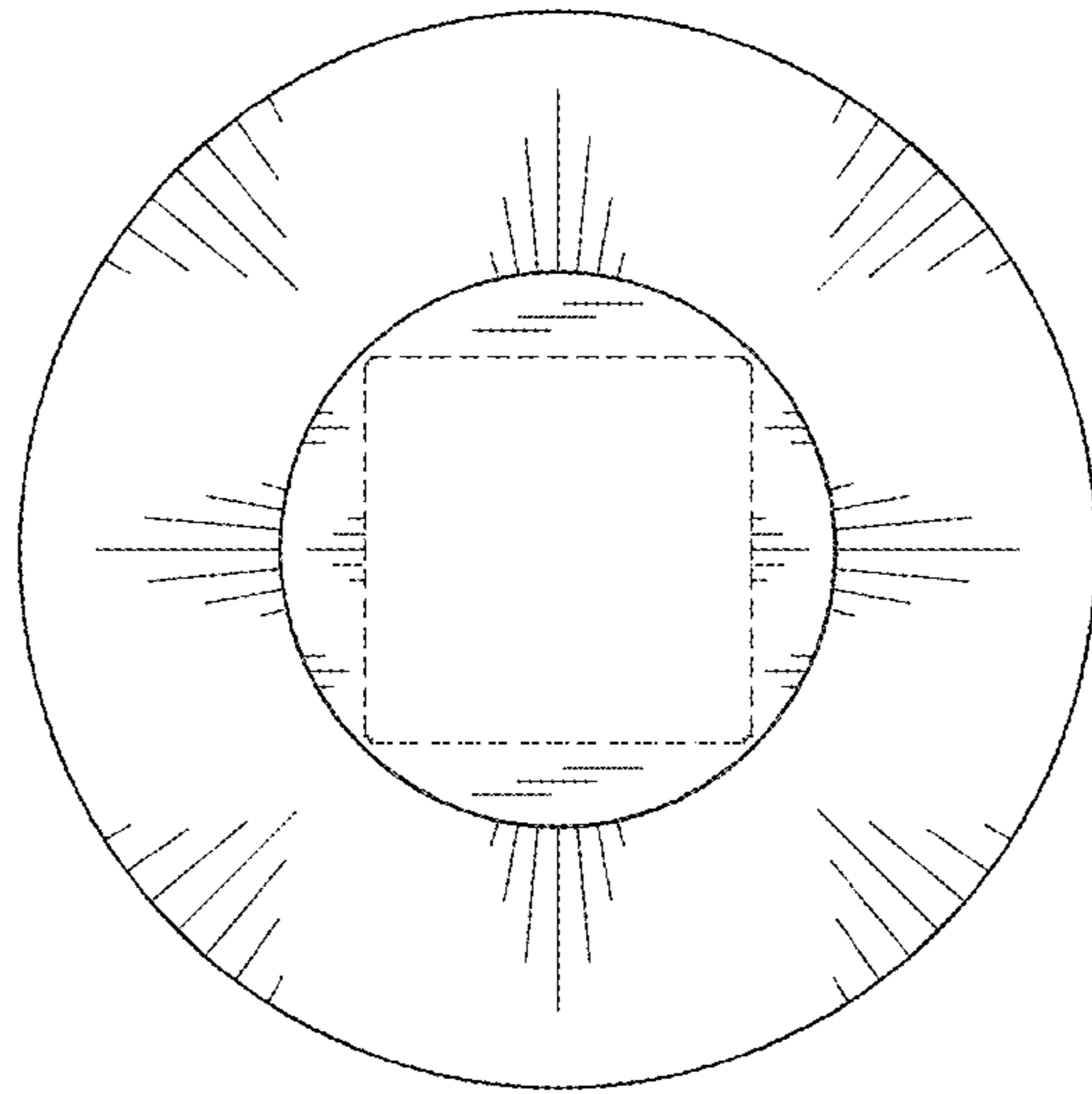


FIG. 6

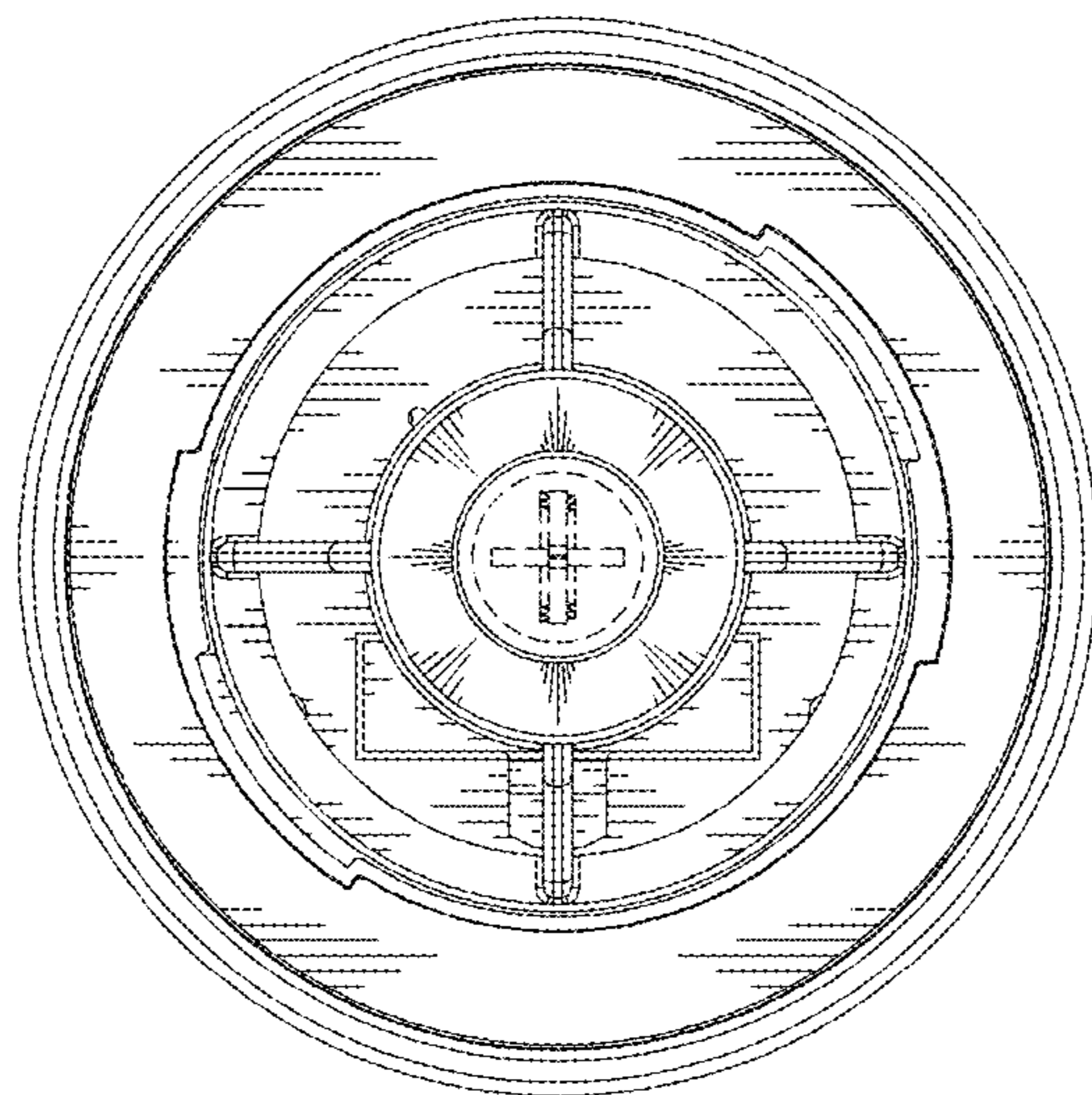


FIG. 7

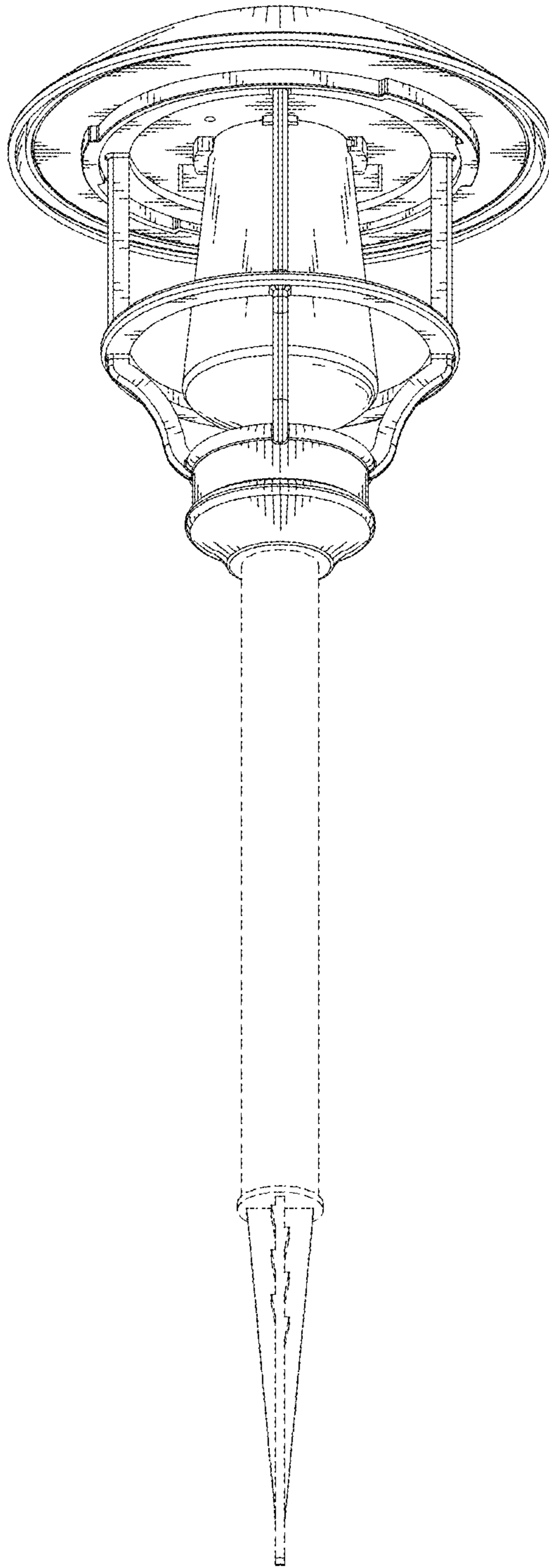


FIG. 8