



US00D824067S

(12) **United States Design Patent**  
**Waldmann**

(10) **Patent No.:** **US D824,067 S**  
(45) **Date of Patent:** **\*\* Jul. 24, 2018**

(54) **PARTS OF LAMPS**

(71) Applicant: **HERBERT WALDMANN GMBH & CO. KG**, Villingen-Schwenningen (DE)

(72) Inventor: **Gerhard Waldmann**, Stein am Rhein (CH)

(73) Assignee: **HERBERT WALDMANN GMBH & CO. KG**, Villingen-Schwenningen (DE)

(\*\*) Term: **15 Years**

(21) Appl. No.: **29/582,583**

(22) Filed: **Oct. 28, 2016**

**Related U.S. Application Data**

(62) Division of application No. 35/500,120, filed on Jul. 23, 2015 (U.S. filing date under 35 U.S.C. 384), and having an international filing date of Jul. 23, 2015.

(51) **LOC (11) Cl.** ..... **26-03**

(52) **U.S. Cl.**  
USPC ..... **D26/65**  
CPC ..... **F21S 6/00** (2013.01)

(58) **Field of Classification Search**

USPC ..... D26/24, 93, 106–112  
CPC .... F21S 6/00; F21S 6/002; F21S 8/043; F21S 8/08; F21V 21/02; F21V 21/116; F21W 2131/30; F21Y 2105/00

See application file for complete search history.

(56) **References Cited**

**U.S. PATENT DOCUMENTS**

D690,858 S \* 10/2013 Citterio ..... D26/63  
D714,482 S \* 9/2014 Polick ..... D26/65

D714,483 S \* 9/2014 Polick ..... D26/65  
D737,492 S \* 8/2015 Li ..... D26/60  
D753,329 S \* 4/2016 Lee ..... D26/65  
D753,330 S \* 4/2016 Lee ..... D26/65  
D753,860 S \* 4/2016 Chen ..... D26/60  
D755,430 S \* 5/2016 Waldmann ..... D26/63  
D756,013 S \* 5/2016 Lee ..... D26/65  
D757,979 S \* 5/2016 Lee ..... D26/65  
D764,693 S \* 8/2016 Sung ..... D26/63  
D768,323 S \* 10/2016 Waldmann ..... D26/63  
D768,324 S \* 10/2016 Waldmann ..... D26/63  
D775,399 S \* 12/2016 Fioravanti ..... D26/107  
D776,318 S \* 1/2017 Ye ..... D26/63  
D776,319 S \* 1/2017 Sato ..... D26/63

\* cited by examiner

*Primary Examiner* — Richard E Chilcot

(74) *Attorney, Agent, or Firm* — Muirhead and Saturnelli, LLC

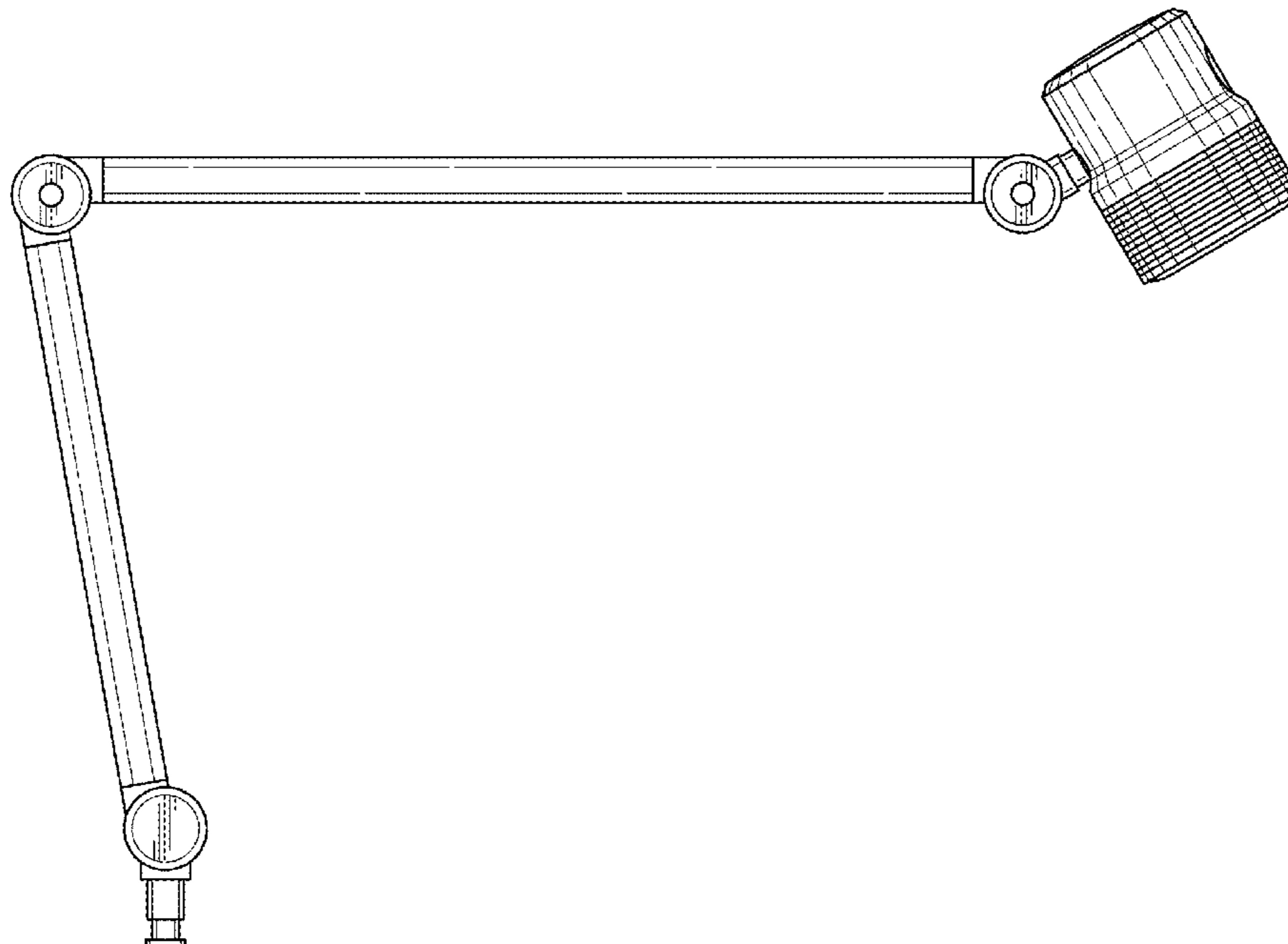
(57) **CLAIM**

The ornamental design for a part of lamp, as shown and described.

**DESCRIPTION**

FIG. 1 Back  
FIG. 2 Top  
FIG. 3 Bottom  
FIG. 4 Left  
FIG. 5 Right  
FIG. 6 Perspective; and,  
FIG. 7 Front.

**1 Claim, 7 Drawing Sheets**



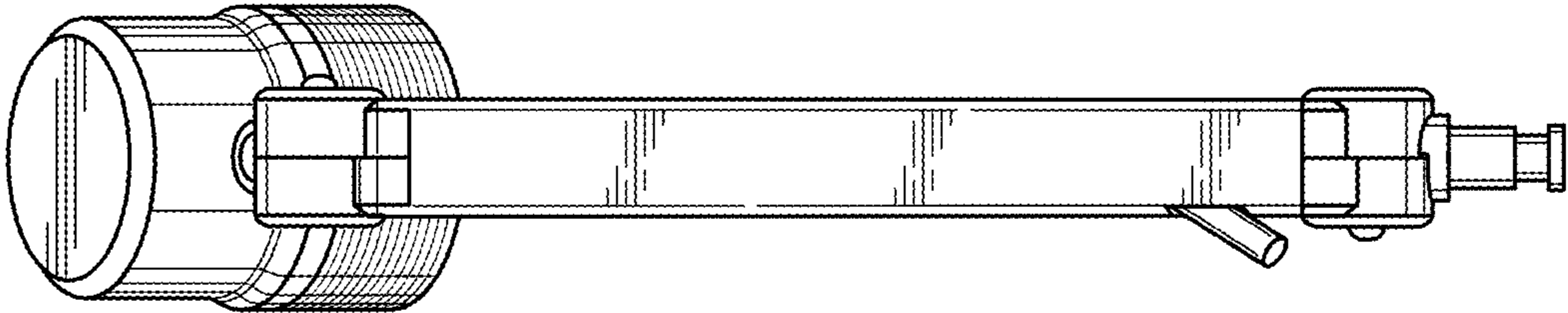


FIG. 1

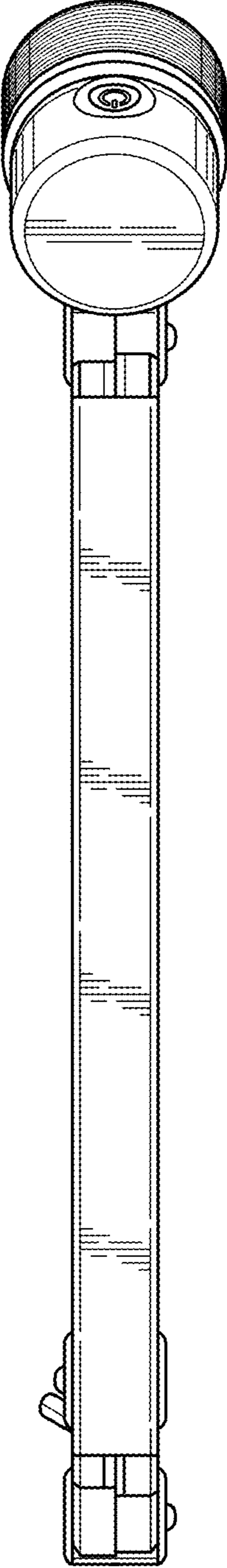


FIG. 2

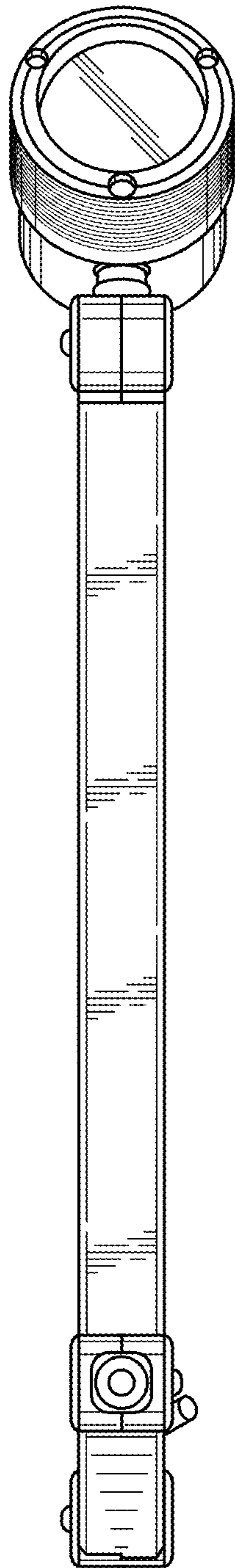


FIG. 3

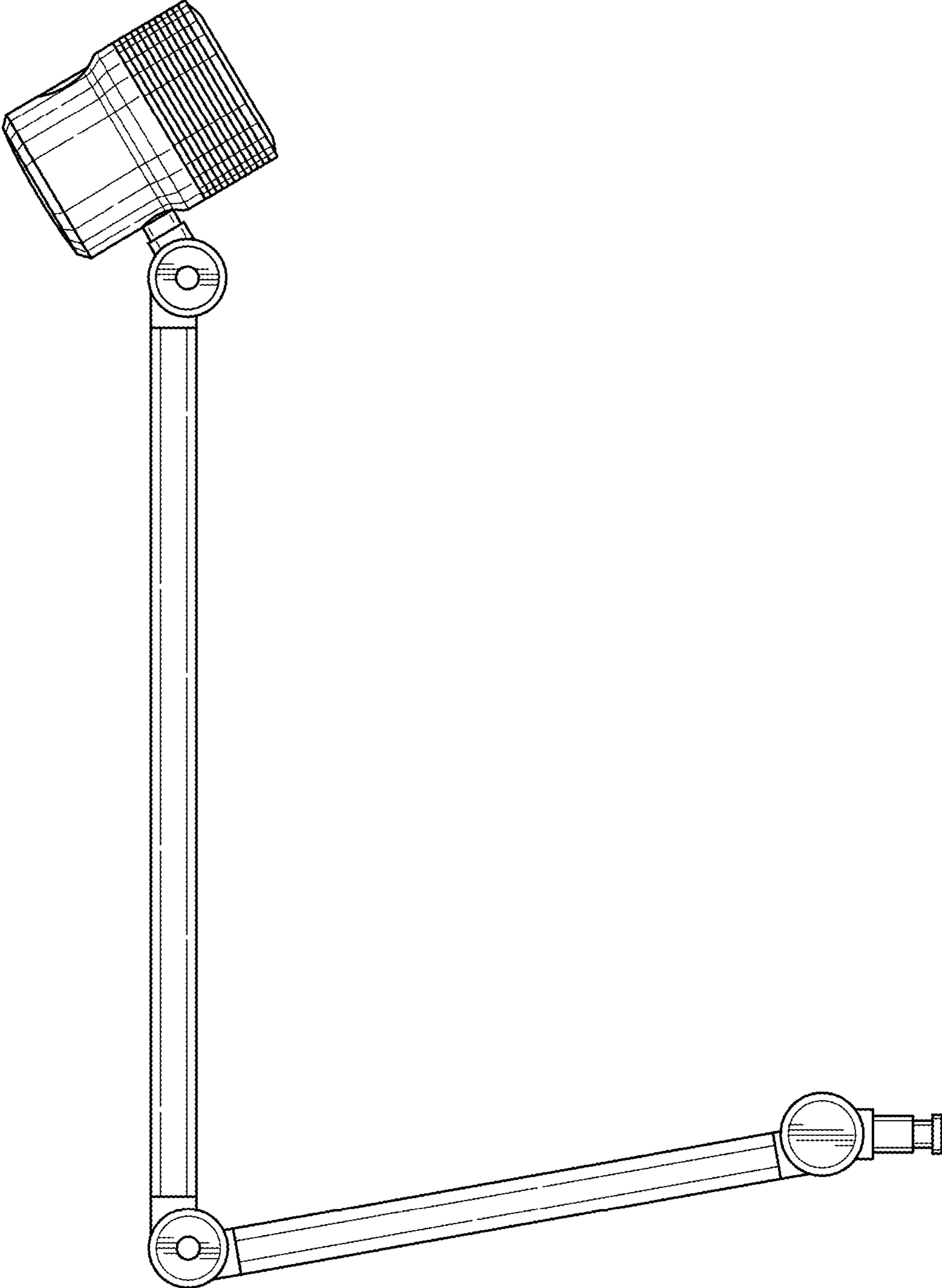


FIG. 4

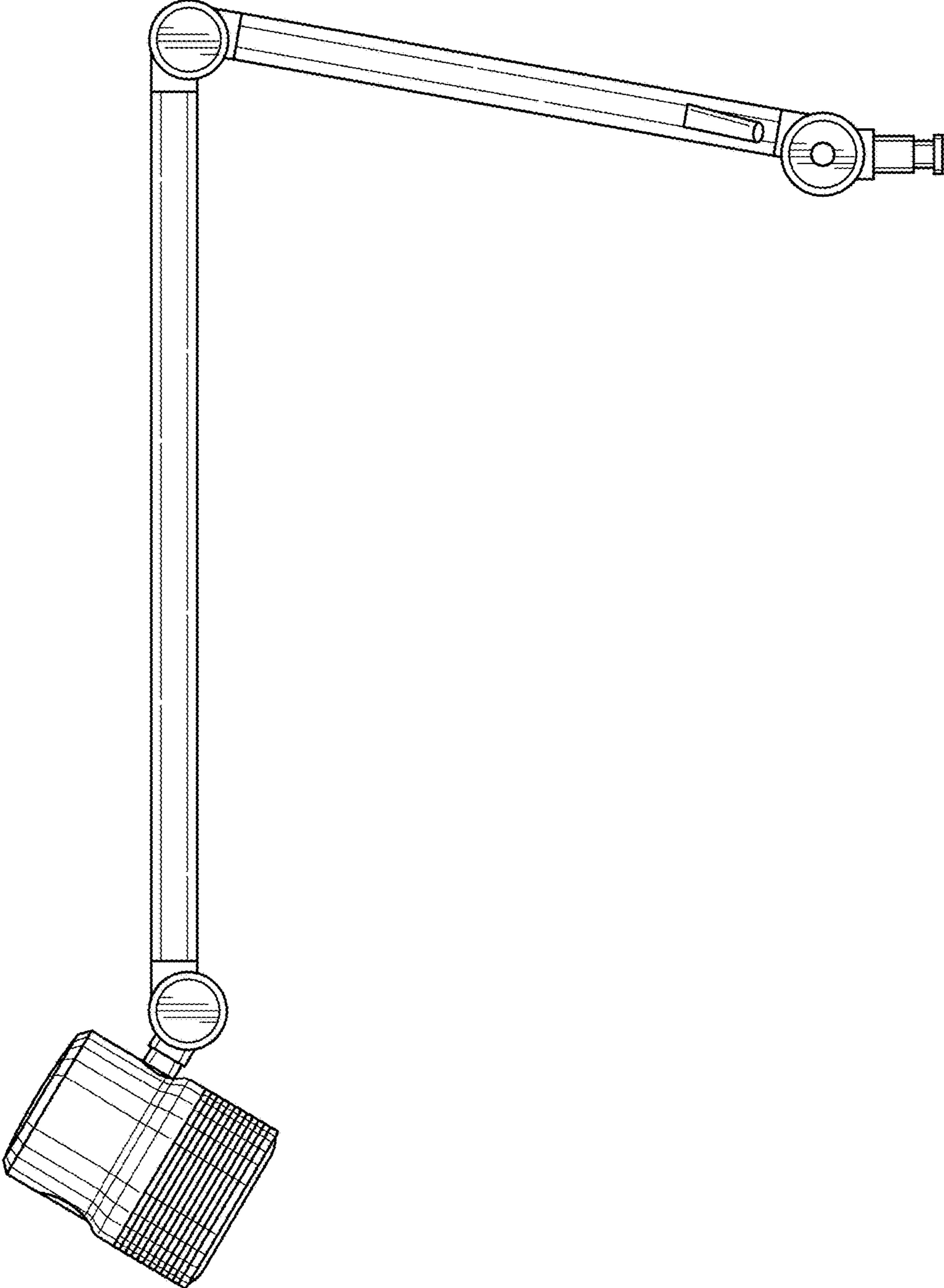


FIG. 5

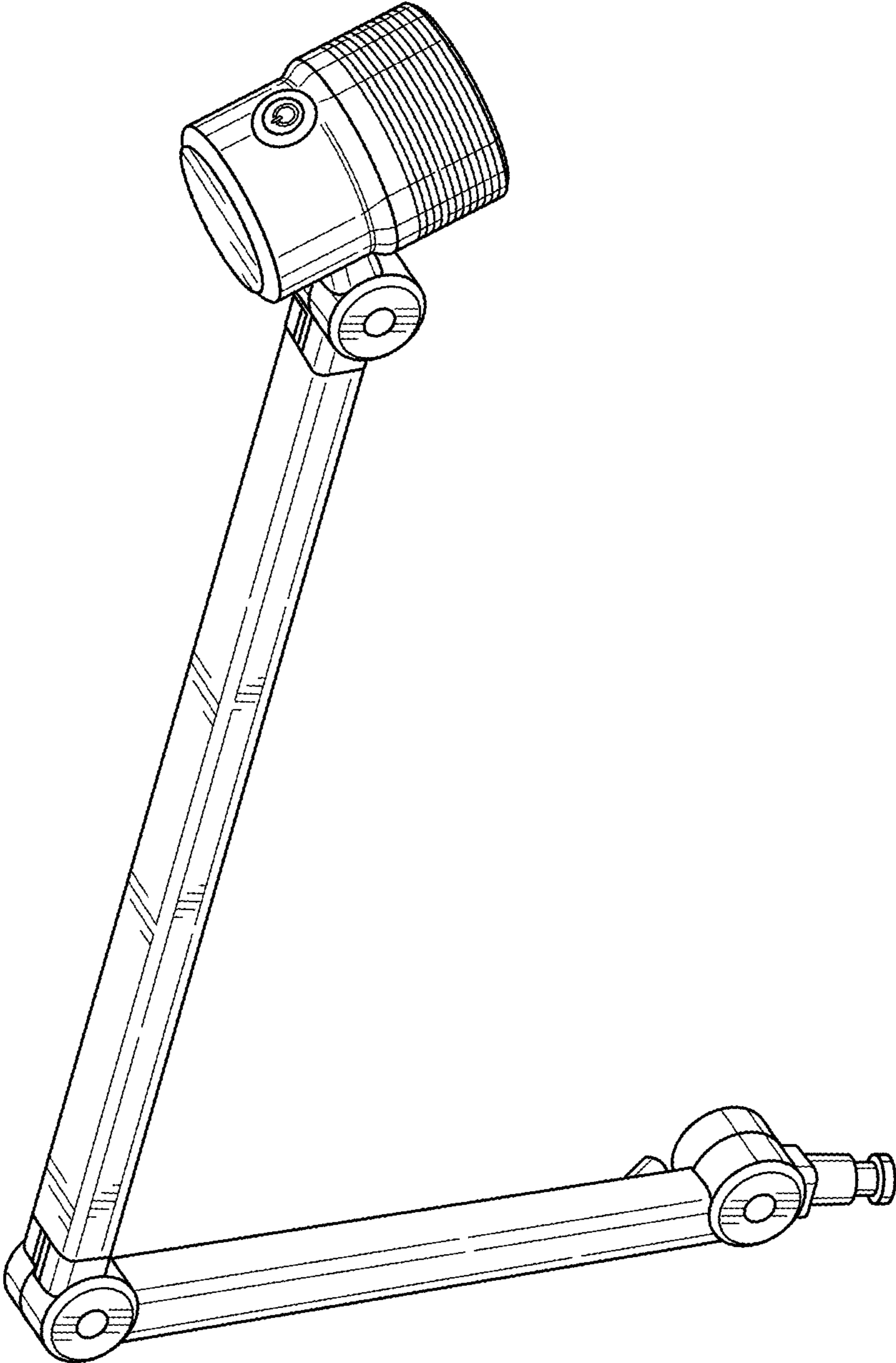


FIG. 6



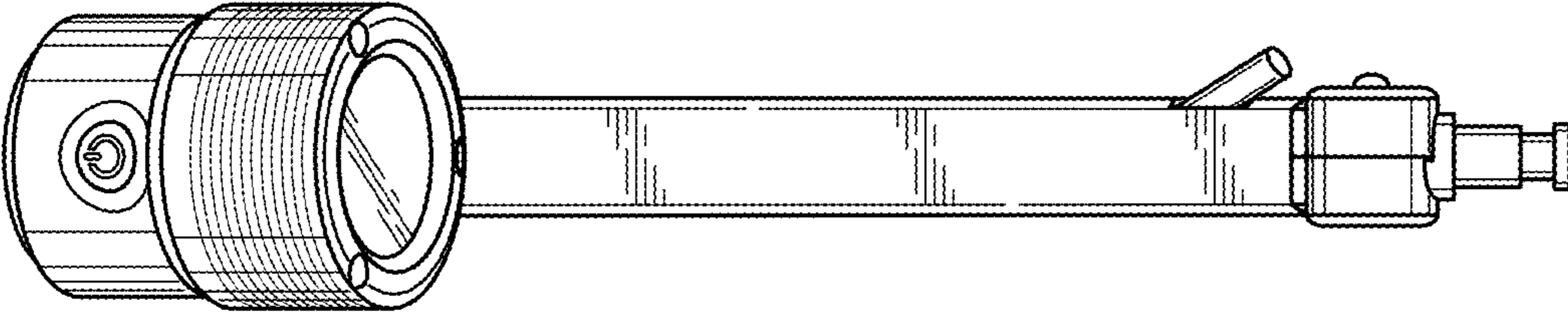


FIG. 7