

US00D824066S

(12) **United States Design Patent**  
**Khubani**

(10) **Patent No.:** **US D824,066 S**  
(45) **Date of Patent:** **\*\* Jul. 24, 2018**

(54) **LIGHT PROJECTOR**

(71) Applicant: **Telebrands Corp.**, Fairfield, NJ (US)

(72) Inventor: **Ajit Khubani**, Saddle River, NJ (US)

(73) Assignee: **Telebrands Corp.**, Fairfield, NJ (US)

(\*\*) Term: **15 Years**

(21) Appl. No.: **29/597,624**

(22) Filed: **Mar. 17, 2017**

**Related U.S. Application Data**

(63) Continuation-in-part of application No. 29/559,106, filed on Mar. 24, 2016, which is a continuation of application No. 29/555,447, filed on Feb. 22, 2016, now Pat. No. Des. 778,478, which is a continuation-in-part of application No. 29/544,568, filed on Nov. 4, 2015, now Pat. No. Des. 766,484, and a continuation-in-part of application No. 29/526,591, filed on May 11, 2015, now Pat. No. Des. 766,483.

(51) **LOC (11) Cl.** ..... **26-05**

(52) **U.S. Cl.**  
USPC ..... **D26/63; D26/67**

(58) **Field of Classification Search**  
USPC ..... D26/63, 67, 68, 128, 118, 138  
CPC .... F21S 8/003; F21S 8/08; F21S 8/081; F21S 8/083; F21S 9/03; F21S 9/032; F21S 9/035; F21S 9/037; F21S 10/007; F21V 21/0824; F21V 21/26; F21V 21/30; F21W 2121/004; F21W 2121/006; F21W 2121/008; F21W 2131/10; F21W 2131/109; G02B 27/20; G03B 21/56  
See application file for complete search history.

(56) **References Cited**

**U.S. PATENT DOCUMENTS**

1,196,951 A 9/1916 Hawthorne  
D56,256 S 9/1920 Ryder

D56,257 S 9/1920 Ryder  
D56,258 S 9/1920 Ryder  
D58,676 S 8/1921 Macneale  
D70,236 S 5/1926 Meden  
D98,047 S \* 1/1936 Beck ..... D26/63  
D105,288 S \* 7/1937 Levy ..... D26/63  
(Continued)

**FOREIGN PATENT DOCUMENTS**

CN 2743676 11/2005  
CN 101276523 A 1/2008  
(Continued)

**OTHER PUBLICATIONS**

Written Opinion of International Search Authority PCT/US2016/021345, dated Sep. 1, 2016.  
(Continued)

*Primary Examiner* — Clare E Heflin  
(74) *Attorney, Agent, or Firm* — Cooper & Dunham, LLP

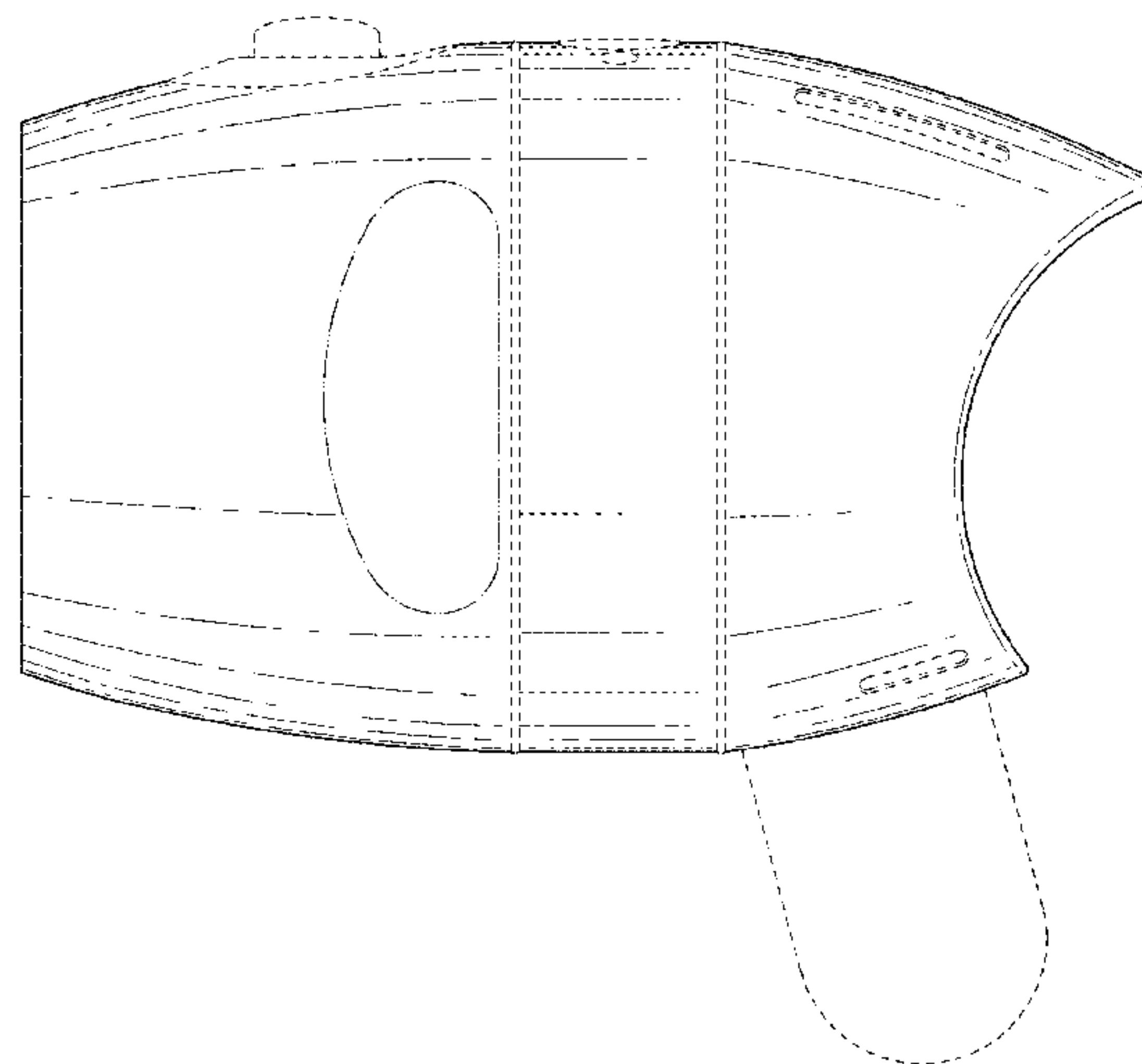
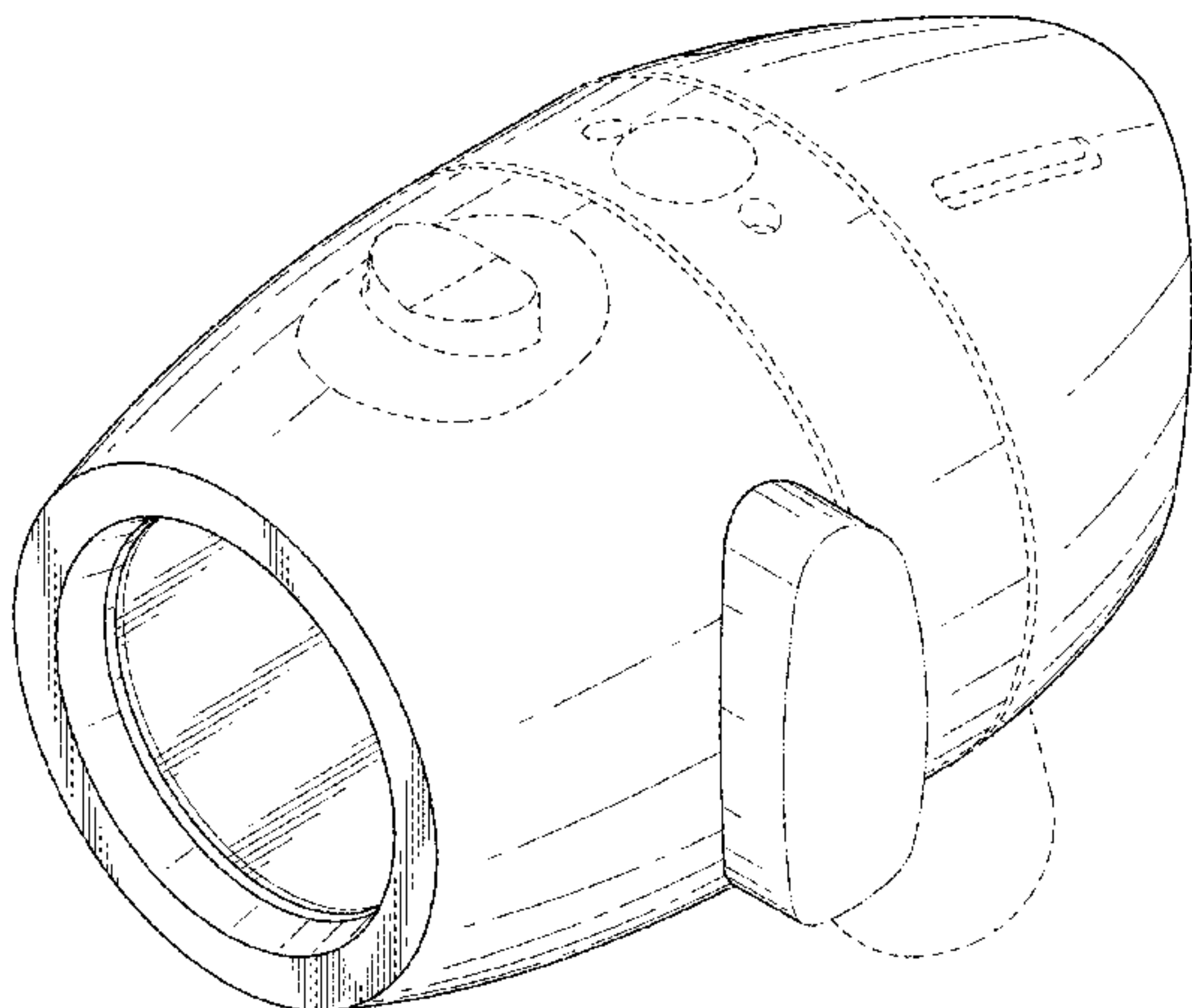
(57) **CLAIM**

The ornamental design for a light projector, as shown and described.

**DESCRIPTION**

FIG. 1 is a front perspective view of a light projector in accordance with the present design;  
FIG. 2 is a front view thereof;  
FIG. 3 is a back view thereof;  
FIG. 4 is a right side view thereof;  
FIG. 5 is a left side view thereof;  
FIG. 6 is a top view thereof; and,  
FIG. 7 is a bottom view thereof.  
The broken lines shown on the drawings depict portion of the light projector that form no part of the claimed design. The dot-dash-dot broken line defines the bounds of the claimed design and forms no part thereof.

**1 Claim, 7 Drawing Sheets**



(56)

References Cited

U.S. PATENT DOCUMENTS

2,526,070	A *	10/1950	Early .....	F21V 21/26 248/278.1	6,874,893	B2	4/2005	Young Park	
D173,139	S	10/1954	Black		D506,282	S	6/2005	Benghozi	
3,104,064	A	9/1963	Bellek		D506,283	S	6/2005	Benghozi	
3,442,572	A	5/1969	Illsley		7,040,780	B2	5/2006	Diehl	
D231,559	S	4/1974	Darling		7,137,721	B1	11/2006	Rao	
3,822,930	A	7/1974	Douklias		7,175,321	B1	2/2007	Lopez	
D233,778	S	11/1974	Kennedy		D538,959	S	3/2007	Kosche	
D233,779	S	11/1974	Kennedy		D541,456	S	4/2007	Kosche	
D234,710	S	4/1975	Beeren		D541,966	S *	5/2007	Benghozi .....	D26/63
3,944,761	A	3/1976	Nicholl		D542,959	S	5/2007	Yao	
4,114,112	A	9/1978	Epstein		7,257,551	B2	8/2007	Oskorep	
D254,154	S	2/1980	Young		D550,877	S	9/2007	Mullen	
4,217,040	A	8/1980	Longerbeam		D551,789	S	9/2007	Mullen	
4,307,528	A	12/1981	Deweese		7,369,584	B2	5/2008	Goldman	
4,458,124	A	7/1984	Kroth		7,380,956	B2	6/2008	Richmond	
D278,215	S	4/1985	Patterson		D574,104	S	7/2008	Sanoner	
4,557,055	A	12/1985	Arai		D574,532	S	8/2008	Lee	
D282,104	S	1/1986	Taylor		7,418,016	B2	8/2008	Gruhlke et al.	
D286,682	S	11/1986	Greenlee		D577,453	S	9/2008	Metlen	
4,779,176	A	10/1988	Bornhorst		D589,191	S	3/2009	Sabernig	
4,814,961	A	3/1989	O'Brien		D589,192	S *	3/2009	Sabernig .....	D26/63
5,036,447	A	7/1991	Taylor		7,534,975	B1	5/2009	Sharrah	
D323,406	S	1/1992	Fisher		7,547,111	B2	6/2009	Richmond et al.	
5,086,379	A	2/1992	Denison		D604,880	S	11/2009	Lovegrove	
5,090,789	A	2/1992	Crabtree		D604,882	S	11/2009	Mier-Langner	
D326,162	S	5/1992	Price		RE41,050	E	12/2009	Panasewicz	
D328,147	S *	7/1992	Gecchelin .....	D26/63	D605,325	S	12/2009	Sanoner	
D333,526	S	2/1993	Taylor		7,641,345	B2	1/2010	Johnson	
D333,529	S	2/1993	Denison		D615,688	S	5/2010	Chen	
5,226,104	A	7/1993	Unterleitner		D616,586	S	5/2010	Sabernig	
D340,305	S	10/1993	Hall		D619,290	S	7/2010	You	
5,258,898	A *	11/1993	Thornton .....	F21V 21/108 362/147	7,771,087	B2	8/2010	Wilcox	
5,280,417	A	1/1994	Hall		D619,289	S	10/2010	You	
5,367,349	A	11/1994	Zeiler		D625,871	S *	10/2010	Huang .....	D26/63
5,398,180	A	3/1995	Lee		D628,329	S	11/2010	Tuli	
D361,149	S	8/1995	Wedell		7,832,918	B2	11/2010	Chien	
5,459,539	A	10/1995	Yamamoto		D632,414	S *	2/2011	Croce .....	D26/63
D365,169	S	12/1995	Fillipp		D638,159	S	5/2011	Yao	
D370,070	S	5/1996	Kay		7,993,040	B2	8/2011	Beadle	
5,517,264	A	5/1996	Sutton		8,003,886	B1	8/2011	Rintz	
5,613,799	A	3/1997	Guide		8,013,719	B2	9/2011	Haase	
5,626,418	A	5/1997	Angelis		D647,234	S	10/2011	Izardel	
5,649,760	A	7/1997	Beadle		D647,657	S	10/2011	Janssen	
D383,236	S	9/1997	Krogman		D649,671	S *	11/2011	Ferro .....	D26/63
5,709,462	A	1/1998	Rumpel		8,057,045	B2	11/2011	Johnson	
D397,490	S	8/1998	Lecluze		D651,335	S	12/2011	Chen	
5,824,981	A	10/1998	Suzuki		8,100,537	B2	1/2012	Johnson	
5,831,397	A	11/1998	Stevens		8,100,538	B2	1/2012	Kuroda	
5,882,107	A	3/1999	Bornhorst		D654,207	S	2/2012	Fletcher	
5,893,626	A	4/1999	Poling		D654,214	S	2/2012	Huang	
D410,295	S	5/1999	Lueken		D654,605	S	2/2012	Chen	
D413,996	S	9/1999	Andrus		D656,821	S	4/2012	Marcoux	
D414,579	S	9/1999	Denison		D659,871	S	5/2012	Lee	
5,971,545	A	10/1999	Haitz		8,251,521	B2	8/2012	Mizushima et al.	
6,000,813	A	12/1999	Krietzman		D667,981	S	9/2012	Connolly	
D427,696	S	7/2000	Scot		D667,989	S	9/2012	May	
6,145,228	A	11/2000	LaChance		8,272,765	B2	9/2012	Ter-Hovhannisyan	
6,152,577	A	11/2000	Rizkin		8,297,825	B2	10/2012	Onishi	
D437,071	S	1/2001	Andrus		8,303,129	B1	11/2012	Thielen	
D438,322	S	2/2001	Skradski		8,303,150	B2	11/2012	Chien	
6,190,025	B1	2/2001	Solinsky		8,366,281	B2	2/2013	Silverstein et al.	
D438,999	S	3/2001	Bossy		8,366,292	B2	2/2013	McDermott	
6,304,237	B1	10/2001	Karakawa		8,376,574	B2	2/2013	Spartano	
6,478,453	B2	11/2002	Lammers		8,436,553	B2	5/2013	Zampini	
6,548,967	B1	4/2003	Dowling		8,480,233	B2	7/2013	Smith	
6,553,175	B2	4/2003	Jaspan		8,485,686	B2	7/2013	Swan	
6,594,090	B2	7/2003	Kruschwitz et al.		8,511,877	B2	8/2013	Chien	
D482,476	S	11/2003	Kwong		8,693,513	B2	4/2014	Achtenhagen	
6,644,839	B2	11/2003	Lee		8,721,160	B2	5/2014	Chien	
6,655,817	B2	12/2003	Devlin		8,834,009	B2	9/2014	Chien	
6,695,452	B2	2/2004	Panasewicz		8,901,827	B1	12/2014	Xu	
6,722,771	B1	4/2004	Stephens		D723,726	S	3/2015	Reed	
6,802,630	B2	10/2004	Doppelt		D738,023	S	9/2015	Rosello Gratacos	
					9,157,586	B1	10/2015	Babcock	
					9,157,589	B2	10/2015	Chien	
					D745,202	S *	12/2015	Guercio .....	D26/63
					9,200,790	B2	12/2015	Lien et al.	
					D747,525	S	1/2016	Guercio	
					D748,838	S	2/2016	Brynjolfsson	



(56)

References Cited

U.S. PATENT DOCUMENTS

9,395,608	B2	7/2016	Zhang	
D764,694	S	8/2016	Tsai	
D765,906	S	9/2016	Khubani	
D766,483	S	9/2016	Khubani	
D766,484	S	9/2016	Khubani	
9,458,994	B1	10/2016	Khubani	
9,546,775	B1	1/2017	Khubani	
D778,478	S *	2/2017	Khubani	..... D26/63
9,562,673	B1	2/2017	Khubani	
9,719,654	B2	8/2017	Chien	
2002/0101571	A1	8/2002	Panazewicz	
2003/0189825	A1	10/2003	Tauch	
2004/0042070	A1	3/2004	Yagi	
2004/0119951	A1 *	6/2004	Vitantonio	..... F16M 11/10 353/119
2004/0141316	A1	7/2004	Twardawski	
2005/0024863	A1	2/2005	Phipps	
2005/0103378	A1	5/2005	Pu	
2006/0114682	A1	6/2006	Schuster	
2006/0158138	A1	7/2006	Waller	
2006/0198153	A1	9/2006	Chien	
2007/0064290	A1	3/2007	Hochenbleicher	
2008/0224849	A1	9/2008	Sirhan	
2008/0316732	A1	12/2008	Blake	
2009/0027900	A1	1/2009	Janos	
2009/0067191	A1	3/2009	Faber	
2009/0122564	A1	5/2009	Beadle	
2009/0153807	A1	6/2009	Jackson	
2009/0168026	A1	7/2009	Chen	
2009/0268121	A1	10/2009	Hisada	
2010/0053969	A1	3/2010	Weinheimer	
2010/0181108	A1	7/2010	Hata	
2010/0046211	A1	12/2010	Spartano	
2011/0051097	A1	3/2011	Lin	
2012/0069547	A1	3/2012	Gielen	
2012/0176782	A1	7/2012	Vanderschuit	
2012/0188754	A1	7/2012	Fitzwater	
2014/0036487	A1	8/2012	Adams	
2012/0257418	A1	10/2012	Fields et al.	
2012/0324772	A1	12/2012	Gingerella	
2013/0088152	A1	4/2013	Hagen	
2013/0088723	A1	4/2013	Feldkhun	
2013/0257297	A1	10/2013	Schmidt	
2014/0335910	A1	3/2014	Wang	
2014/0268703	A1	9/2014	Ehlert	
2014/0313779	A1	10/2014	Higgins et al.	
2015/0015716	A1	1/2015	Reed	
2015/0035437	A1	2/2015	Panopoulos	
2015/0070897	A1	3/2015	Chien	
2015/0159842	A1 *	6/2015	Zhang	..... F21V 21/30 362/231
2015/0260385	A1	9/2015	Brynjolfsson	
2016/0073458	A1	3/2016	Takahashi	
2016/0169486	A1 *	6/2016	John	..... F21V 29/83 362/373
2016/0238221	A1	8/2016	Lentine	
2016/0273716	A1	9/2016	Tarsa et al.	
2016/0313089	A1	10/2016	Collin	
2016/0330825	A1	11/2016	Recker	
2016/0377248	A1	12/2016	Jagt et al.	
2017/0045208	A1	2/2017	Lentine	
2017/0080991	A1	3/2017	White	
2017/0191631	A1 *	7/2017	Lentine	..... F21S 10/007

FOREIGN PATENT DOCUMENTS

CN	201173996	12/2008
CN	201407589 Y	2/2010
CN	202091917	12/2011
CN	102620220	8/2012
CN	102809110	12/2012
CN	202140959	12/2012
CN	202691883	1/2013
CN	202972915	6/2013

CN	203273720	11/2013
CN	203431698	2/2014
CN	203453930	2/2014
CN	204083891	1/2015
CN	204141534	2/2015
CN	204176560	2/2015
CN	204240200	4/2015
CN	204268353	4/2015
CN	303234579 S	6/2015
CN	104812342	7/2015
CN	204621354	9/2015
CN	204629169 U	9/2015
CN	105068243	11/2015
CN	205155727	4/2016
CN	303657559	4/2016
DE	2740191	3/1979
DE	202006003915	5/2006
DE	20 2007 009 156 U1	1/2008
DE	202006009535	8/2008
EP	1 024 399	2/2000
GB	2435090	8/2007
JP	H07227342	8/1995
KR	20120023293	3/2013
WO	WO 2006/074205	7/2006
WO	WO 2010022367	2/2010
WO	WO 2012002833	1/2012
WO	WO 2015/094009	6/2015
WO	WO 2015/138480	9/2015
WO	WO 2015/143450	9/2015
WO	WO 2015/149877	10/2015

OTHER PUBLICATIONS

International Search Report PCT/US2016/021345, dated Sep. 1, 2016.

Examination Report of Application No. 201 61 01 293 by IP Australia, dated Oct. 20, 2016.

Laser Christmas Lights & Outdoor Laser Lights, published Oct. 6, 2015, available at <http://web.archive.org/web/20151006140058/http://www.laserchristmaslights.com>.

Examination Report of Application No. 2016101295 by IP Australia, dated Oct. 20, 2016.

Office Action of Application No. 2,937,150 by Canadian Intellectual Property Office, dated Jan. 26, 2017.

Extended European Search Report of Application No. 16197894. 5-1568 by European Patent Office, dated Feb. 17, 2017.

Examination Report of Application No. 2016101293 by IP Australia, dated Feb. 17, 2017.

Extended European Search Report of Application No. 16197893 by European Patent Office, dated Feb. 24, 2017.

Extended European Search Report of Application No. 16197896 by European Patent Office, dated Mar. 13, 2017.

Declaration of Stephen D. Fantone dated Jul. 3, 2017, submitted in support of response to Order to Show Cause (Civil Action No. 2:17-cv-02878).

Everstar Merchandising Product No. 88-506.

Everstar Merchandising Product No. 68-005 (US) / 88-653 (CAN).

Request for Ex Parte Reexamination of U.S. Pat. No. 9,546,775, submitted Jul. 13, 2017.

Office Action of Application No. 2,937,150 by Canadian Intellectual Property Office, dated Jun. 30, 2017.

Examination Report of Application No. 2017100480 by IP Australia, dated Jun. 8, 2017.

Office Action of Application No. 2,965,063 by Canadian Intellectual Property Office, dated Jun. 16, 2017.

Mr. Christmas Super Green Laser Light Show, available at [www.amazon.com](http://www.amazon.com), accessed May 2, 2016.

BlissLights Motion Laser, available at [www.amazon.com](http://www.amazon.com), accessed May 2, 2016.

Color Laser Lights Instructions, published 2014.

BlissLights Spright Smart User Guide, published 2014.

Written Opinion of International Search Authority PCT/US2016/021354, dated Jun. 30, 2016.

International Search Report PCT/US2016/021354, dated Jun. 30, 2016.



(56)

**References Cited**

## OTHER PUBLICATIONS

International Search Report PCT/US2016/021347, dated May 17, 2016.

Written Opinion of International Search Authority PCT/US2016/021347, dated May 17, 2016.

International Search Report PCT/US2016/021338, dated May 16, 2016.

Written Opinion of International Search Authority PCT/US2016/021338, dated May 16, 2016.

Laser Light, available at [www.amazon.com](http://www.amazon.com), accessed on Nov. 13, 2015.

Night Stars, available at [www.amazon.com](http://www.amazon.com), accessed Nov. 13, 2015.

Poeland Garden Laser Landscape, available at [www.amazon.com](http://www.amazon.com), accessed Nov. 13, 2015.

Remote Controllable RGB Laser, available at [www.amazon.com](http://www.amazon.com), accessed Nov. 13, 2015.

Newest Garden Tree and Outdoor Wall Decoration Laser, available at [www.amazon.com](http://www.amazon.com), accessed Nov. 13, 2015.

Pepnice Red and Green Firefly Laser Light, available at [www.amazon.com](http://www.amazon.com), accessed Nov. 13, 2015.

Klaren Color Laser Light Projector, available at [www.amazon.com](http://www.amazon.com), accessed Nov. 13, 2015.

Garden Tree and Outdoor Wall Decoration Laser Lights for Holiday Lighting, available at [www.amazon.com](http://www.amazon.com), accessed Nov. 13, 2015.

Green and Red Light Garden Tree and Outdoor Wall Decoration Laser Lights, available at [www.amazon.com](http://www.amazon.com), accessed Nov. 13, 2015.

Moving Red and Green 2 Color Laser Landscape Projector Light w/ Remote, available at [www.amazon.com](http://www.amazon.com), accessed Nov. 13, 2015.

Peatross, Physics of Light and Optics, Mar. 22, 2017, pp. 288-295, 303.

SeresRoad Outdoor Waterproof Star Projector, Landscape Projector, available at [www.amazon.com](http://www.amazon.com), accessed on Nov. 13, 2015.

Us-vision AGO-20RG Modern Outdoor/ Indoor 20 Patterns Gobos Rg Laser Projector, available at [www.amazon.com](http://www.amazon.com), accessed Nov. 13, 2015.

Sminiker Outdoor Laser Light Sparkle Magic Lights Landscape Light Holiday Light, available at [www.amazon.com](http://www.amazon.com), accessed Nov. 13, 2015.

Us-vision Outdoor Holiday Waterproof Green Laser Lighting Show, available at [www.amazon.com](http://www.amazon.com), accessed Nov. 13, 2015.

Improvements All-metal 4-in-1 Projection Light with Remote, available at [www.amazon.com](http://www.amazon.com), accessed Nov. 13, 2015.

Klaren Color Laser Light Projector—Improvements, available at [www.amazon.com](http://www.amazon.com), accessed Nov. 13, 2015.

Light Flurries, available at [www.lightflurries.com](http://www.lightflurries.com), accessed Mar. 17, 2016.

Outdoor Indoor Spright Smart Firefly Light with Timer Green, available at [www.amazon.com](http://www.amazon.com), accessed May 2, 2016.

Blisslights Spright Spring Smart Outdoor Indoor Firefly Light Projector with Timer, available at [www.amazon.com](http://www.amazon.com), accessed May 2, 2016.

Petition for Post Grant Review of U.S. Pat. No. 9,546,775, mailed on Oct. 16, 2017.

Slate, "Know Your Fireworks," published Jul. 1, 2011 (Exhibit 1006 to the Petition For Post Grant Review of U.S. Pat. No. 9,546,775, filed on Oct. 16, 2017).

Webster's Dictionary, 2014, p. 1527, published by Houghton Mifflin Publishing Co. (Exhibit 1007 to the Petition For Post Grant Review of U.S. Pat. No. 9,546,775, filed on Oct. 16, 2017).

Chauvet, EZMiN User Manual, 2013 (Exhibit 1010 to the Petition For Post Grant Review of U.S. Pat. No. 9,546,775, filed on Oct. 16, 2017).

Thor Labs Drawing for Item No. NDC-100C-2M, drawn on Jun. 22, 2012 (Exhibit 1019 to the Petition For Post Grant Review of U.S. Pat. No. 9,546,775, filed on Oct. 16, 2017).

Order Granting Reexamination of U.S. Pat. No. 9,546,775, Aug. 1, 2017.

Evaluation Report of Utility Model Patent CN 2016208941741, mailed Aug. 3, 2017.

Bliss Lights Spright User's Guide, published online at <http://www.blisslights.com/data/store/tabs/53a0cd9a6c00b.pdf> at least as early as Jun. 27, 2014.

Request for Ex Parte Reexamination of U.S. Pat. No. 9,752,761, submitted Nov. 6, 2017.

Petition for Post Grant Review of U.S. Pat. No. 9,752,761, filed on Nov. 27, 2017.

Order Granting Ex Parte Reexamination of U.S. Pat. No. 9,752,761, mailed Aug. 1, 2017.

Color Laser Light Instructions, U.S. Appl. No. 62/025,344 (filed Jul. 16, 2014) (Exhibit 1003 to the Petition For Post Grant Review of U.S. Pat. No. 9,752,761, filed on Nov. 27, 2017).

Photographs of Prime Laser Product, Model LFLRG505 (Exhibit 1011 to the Petition For Post Grant Review of U.S. Pat. No. 9,752,761, filed on Nov. 27, 2017).

Prime Wire & Cable, Inc., Laser Light Projector LFLRG505 User Manual (Exhibit 1013 to the Petition For PGR of U.S. Pat. No. 9,752,761, filed on Nov. 27, 2017).

Prime Wire & Cable, Inc., Packaging Specification: LFLRG505, dated Jan. 29, 2014 (Exhibit 1015 to the Petition For PGR of U.S. Pat. No. 9,752,761, filed on Nov. 27, 2017).

Prime Wire & Cable, Inc., Screen Captures of "Laser Lighth Prime" Commercial, Mar. 12, 2014 (Exhibit 1017 to the Petition For PGR of U.S. Pat. No. 9,752,761, filed on Nov. 27, 2017).

Prime Wire & Cable, Inc., Script of Commercial, Mar. 12, 2014 (Exhibit 1018 to the Petition For PGR of U.S. Pat. No. 9,752,761, filed on Nov. 27, 2017).

Prime Wire & Cable, Inc., Model LFLRG505 Purchase Product Specification, Jun. 24, 2014 (Exhibit 1025 to the Petition For PGR of U.S. Pat. No. 9,752,761, filed on Nov. 27, 2017).

Spright Green, <http://www.blisslight.com:80/store/products/spright-green/1452>, Apr. 1, 2014 (Exh 1030 to the Petition For PGR of U.S. Pat. No. 9,752,761, filed on Nov. 27, 2017).

BlissLights, LLC, Technology, <http://www.blisslight.com:80/technology>, Jun. 27, 2014 (Exhibit 1031 to the Petition For PGR of U.S. Pat. No. 9,752,761, filed on Nov. 27, 2017).

BlissLights, LLC, BlissLights Spright User's Guide (Exhibit 1032 to the Petition For PGR of U.S. Pat. No. 9,752,761, filed on Nov. 27, 2017).

Screen capture from <http://web.archive.org/> of lissLights Spright User's Guide, archived Jul. 16, 2014 (Exhibit 1033 to the PGR Petition of U.S. Pat. No. 9,752,761, filed Nov. 27, 2017).

BlissLights, LLC, BlissLights SPRIGHTsmart User's Guide (Exhibit 1036 to the Petition For PGR of U.S. Pat. No. 9,752,761, filed on Nov. 27, 2017).

Food & Drug Administration, Ration-Emitting Products, Feb. 21, 2014 (Exhibit 1037 to the Petition For PGR of U.S. Pat. No. 9,752,761, filed on Nov. 27, 2017).

Food & Drug Administration, Compliance Guide for Laser Products, Jun. 1992 (Exhibit 1040 to the Petition For PGR of U.S. Pat. No. 9,752,761, filed on Nov. 27, 2017).

Sliney, Laser Safety with Consumer and Office Products, Ch 1, p. 1-11, 1980 (Exhibit 1041 to the Petition For PGR of U.S. Pat. No. 9,752,761, filed on Nov. 27, 2017).

Sliney, Safety with Lasers and Other Optical Sources, Ch. 20, p. 625-654, 1980 (Exhibit 1042 to the Petition For PGR of U.S. Pat. No. 9,752,761, filed on Nov. 27, 2017).

Barat, Laser Safety Management, Chapter 1, pp. 1-13, copyrighted 2006 (Exhibit 1043 to the Petition For PGR of U.S. Pat. No. 9,752,761, filed on Nov. 27, 2017).

Barat, Laser Safety Management, Chapter 4, pp. 45-56, copyrighted 2006 (Exhibit 1044 to the Petition For PGR of U.S. Pat. No. 9,752,761, filed on Nov. 27, 2017).

Barat, Laser Safety Management, Chapter 11, pp. 159-187, copyrighted 2006 (Exhibit 1045 to the Petition For PGR of U.S. Pat. No. 9,752,761, filed on Nov. 27, 2017).

Barat, Laser Safety Management, Chapter 15, pp. 233-239, copyrighted 2006 (Exhibit 1046 to the Petition For PGR of U.S. Pat. No. 9,752,761, filed on Nov. 27, 2017).

(56)

**References Cited**

OTHER PUBLICATIONS

Barat, Laser Safety Management, Glossary, pp. 241-252, copyrighted 2006 (Exhibit 1047 to the Petition For PGR of U.S. Pat. No. 9,752,761, filed on Nov. 27, 2017).

Henderson, Laser Safety, pp. 366-369, copyrighted 2004 (Exhibit 1048 to the Petition For PGR of U.S. Pat. No. 9,752,761, filed on Nov. 27, 2017).

D. Hochmuth, Diffractive Optics Give Laser Pointers a New Twist, Photonics Spec. Aug. 1995 (Exhibit 1049 to the Petition For PGR of U.S. Pat. No. 9,752,761, filed on Nov. 27, 2017).

Herzig, Diffractive Components: Holographic Optical Elements, pp. 43-44, copyrighted 1993 (Exhibit 1051 to the Petition For PGR of U.S. Pat. No. 9,752,761, filed on Nov. 27, 2017).

The Paramount Org., Inc., Laser Spectacular, at [www.pinkfloyd lasershow.com/about](http://www.pinkfloyd lasershow.com/about), Nov. 7, 2017 (Exhibit 1052 to the PGR Petition of U.S. Pat. No. 9,752,761, filed on Nov. 27, 2017).

Wikipedia, Pink Floyd, [https://en.wikipedia.org/wiki/Pink\\_Floyd\\_live\\_performances](https://en.wikipedia.org/wiki/Pink_Floyd_live_performances), Nov. 7, 2017 (Exhibit 1053 to the PGR Petition of U.S. Pat. No. 9,752,761, filed on Nov. 27, 2017).

Request for Ex Parte Reexamination of U.S. Pat. No. 9,869,459, issued Jan. 16, 2018.

Written Opinion of International Search Authority PCT/US17/053457, dated Jan. 9, 2018.

International Search Report PCT/US17/053457, dated Jan. 9, 2018.

Written Opinion of International Search Authority PCT/US18/18741, published Mar. 19, 2018.

International Search Report PCT/US18/18741, published Mar. 19, 2018.

European Patent Office Examination Report of Application No. 16197893.7, dated Feb. 23, 2018.

European Patent Office Examination Report of Application No. 19197895.2, dated Feb. 26, 2018.

Written Opinion of International Search Authority PCT/US2018/018746, published May 4, 2018.

International Search Report PCT/US2018/018746, published May 4, 2018.

\* cited by examiner



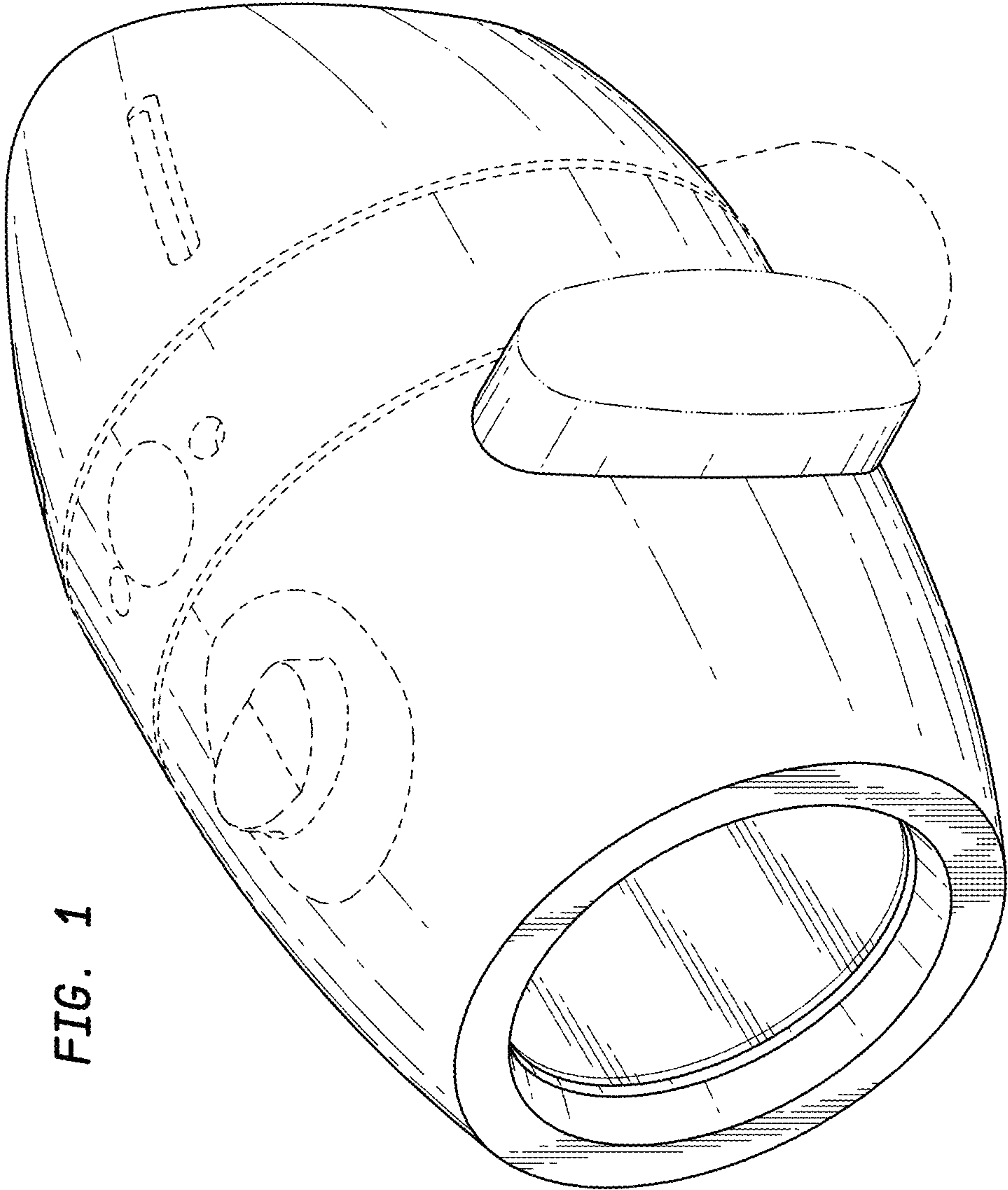


FIG. 1

FIG. 2

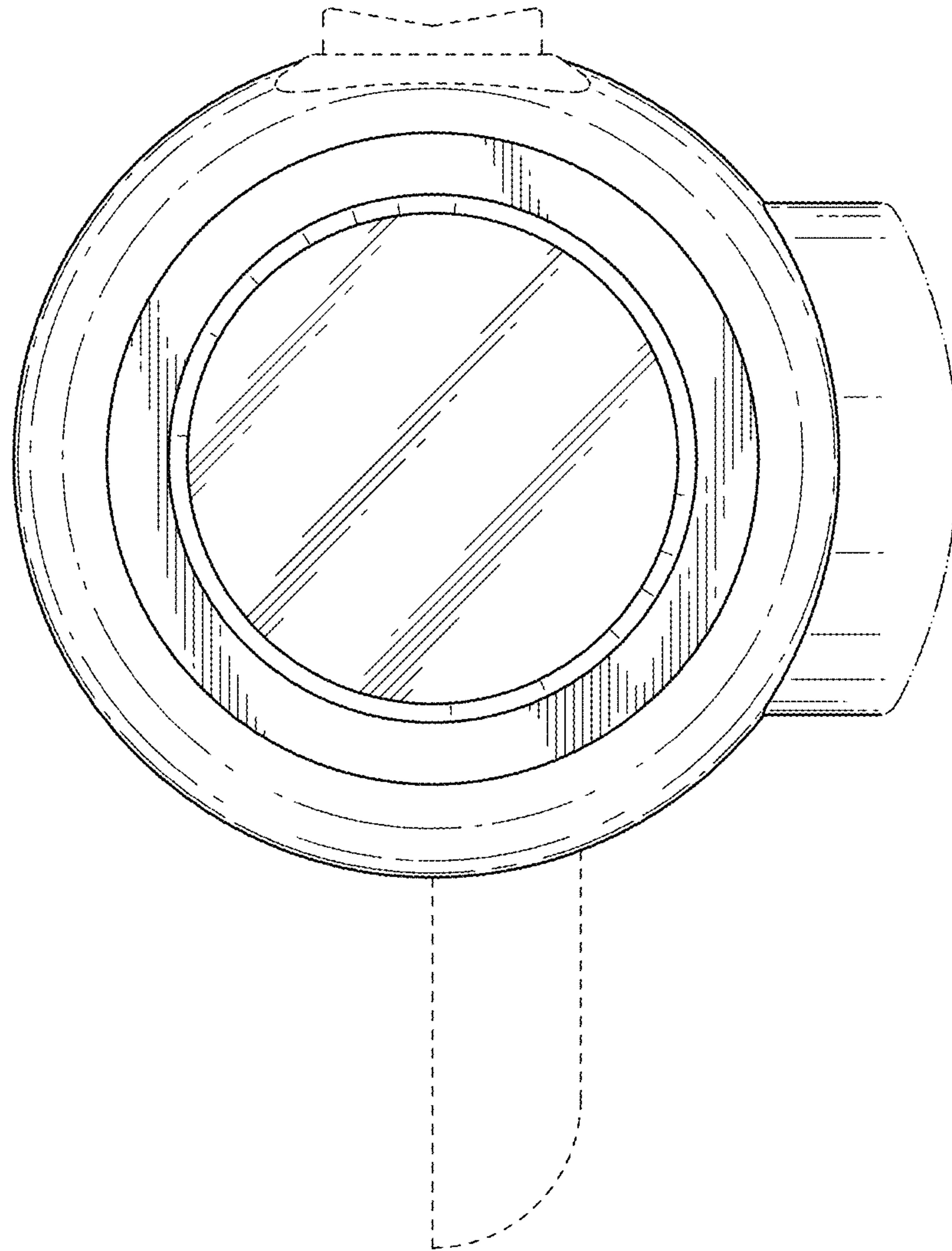
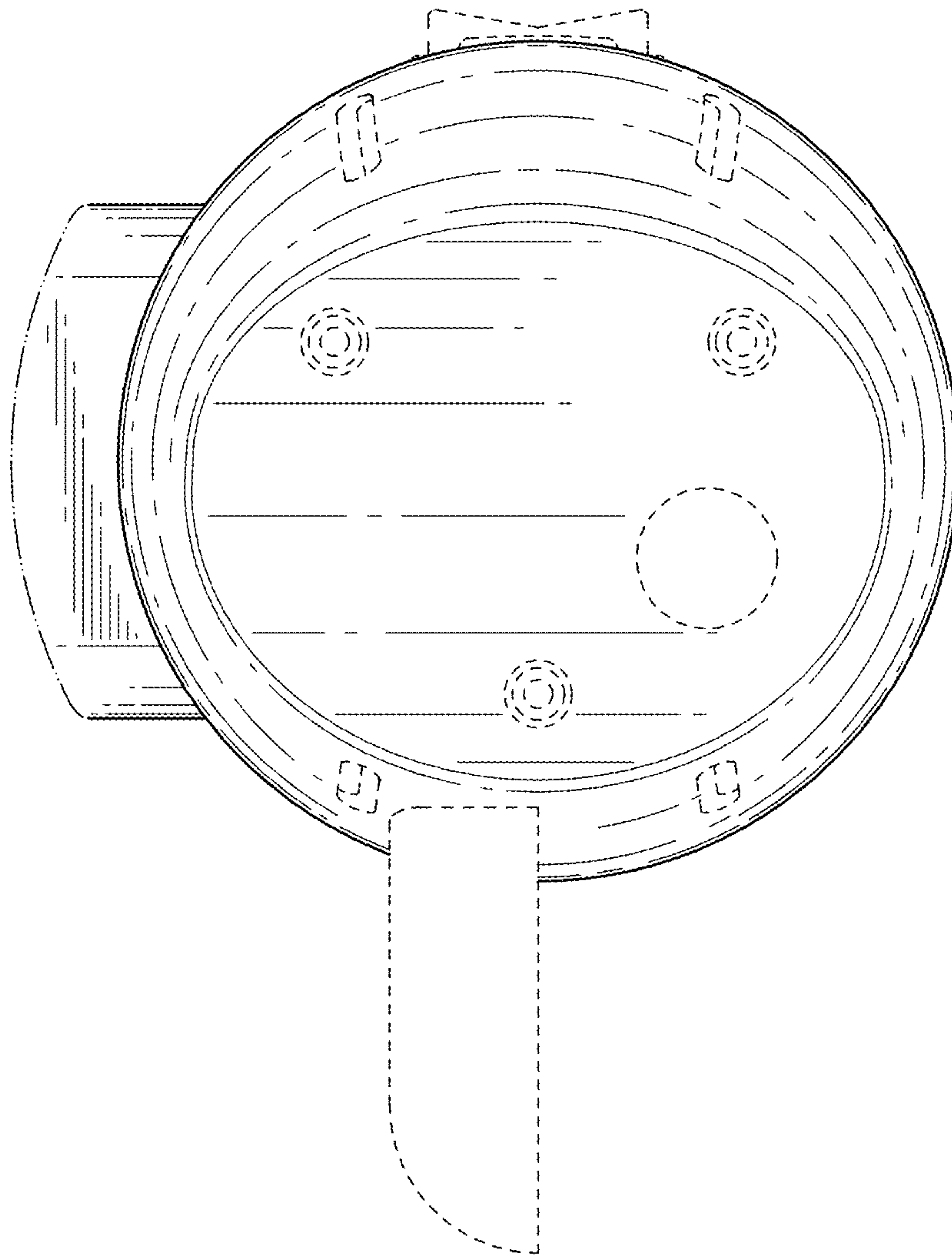


FIG. 3





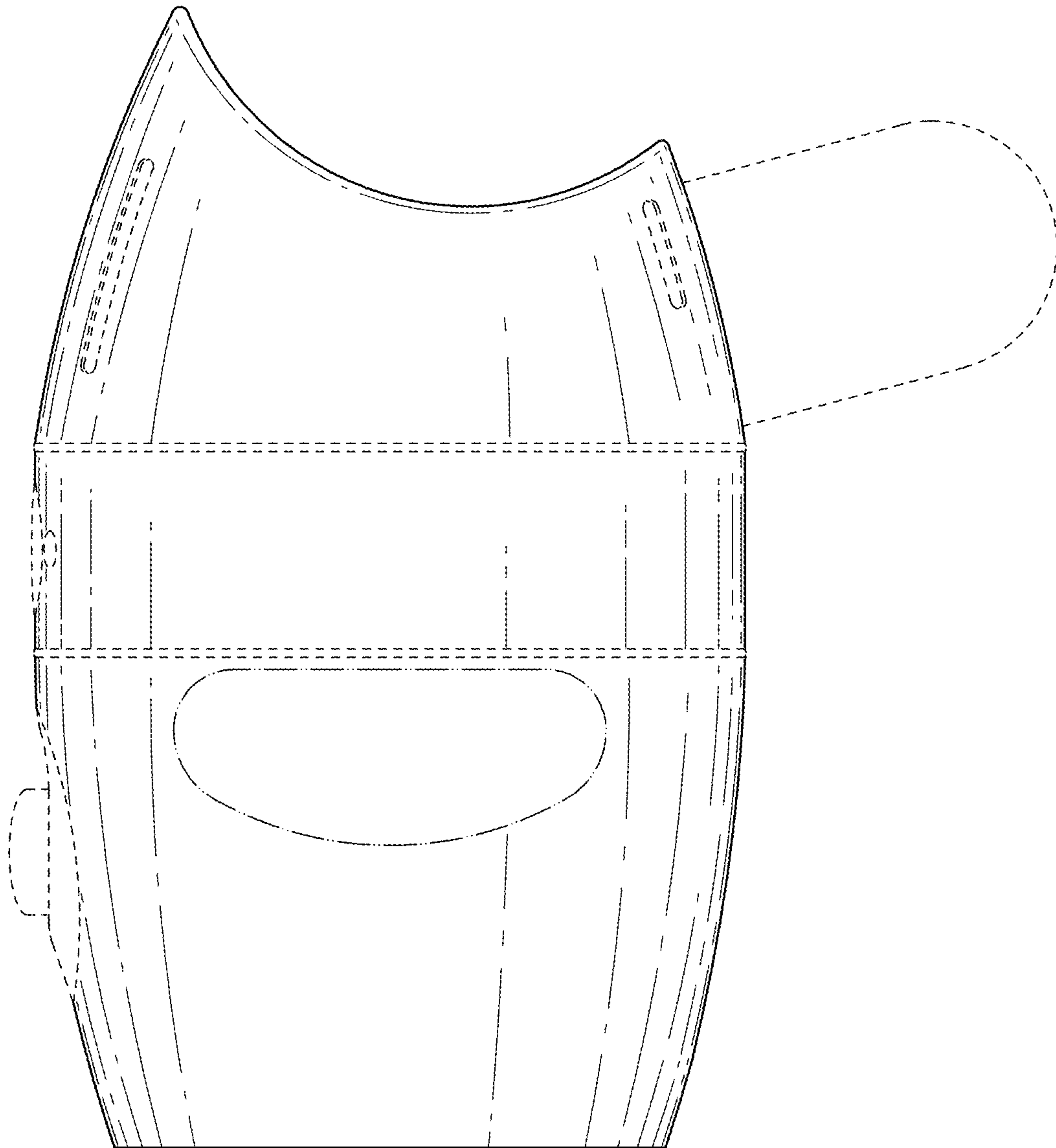


FIG. 4

FIG. 5

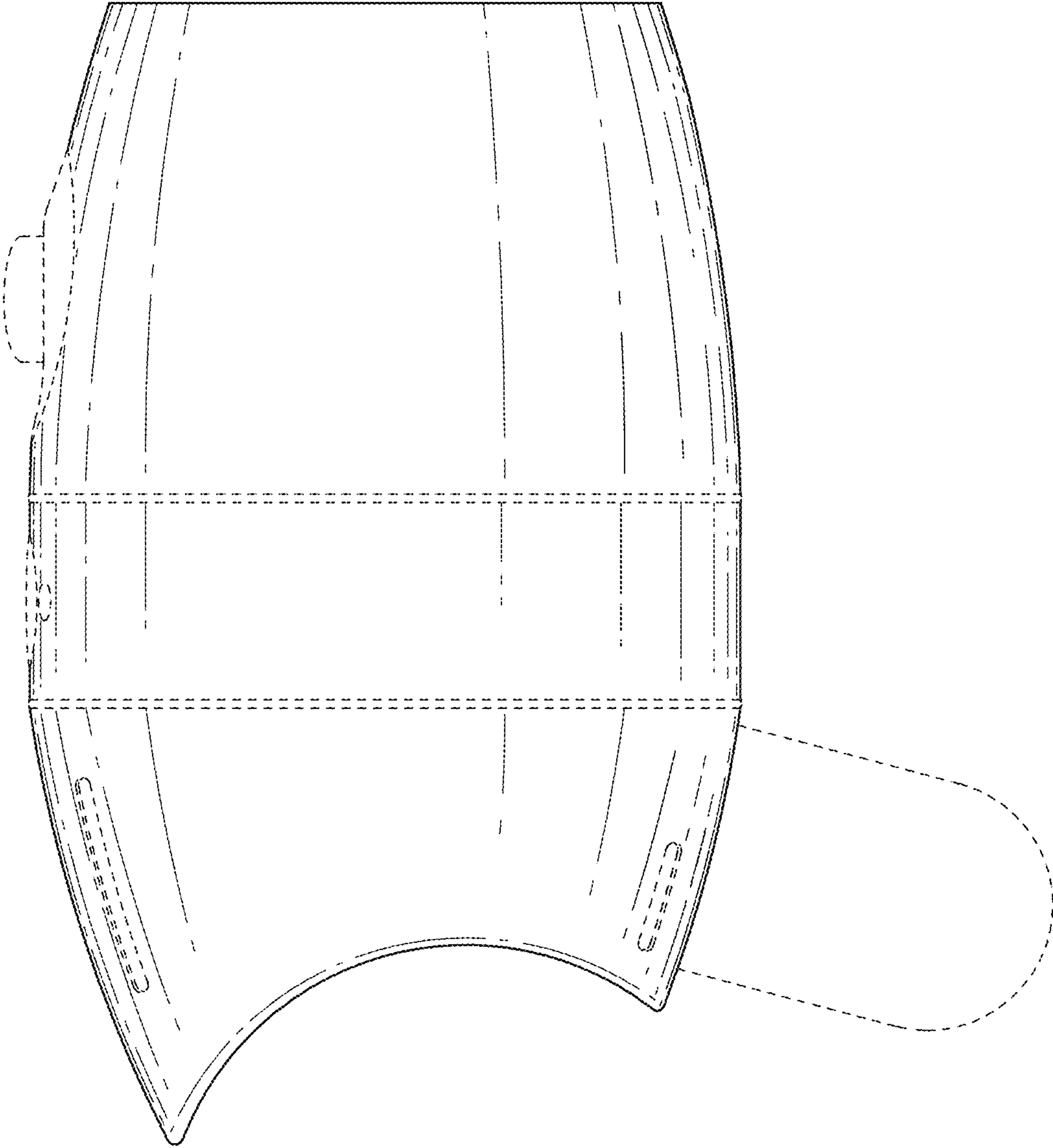




FIG. 6

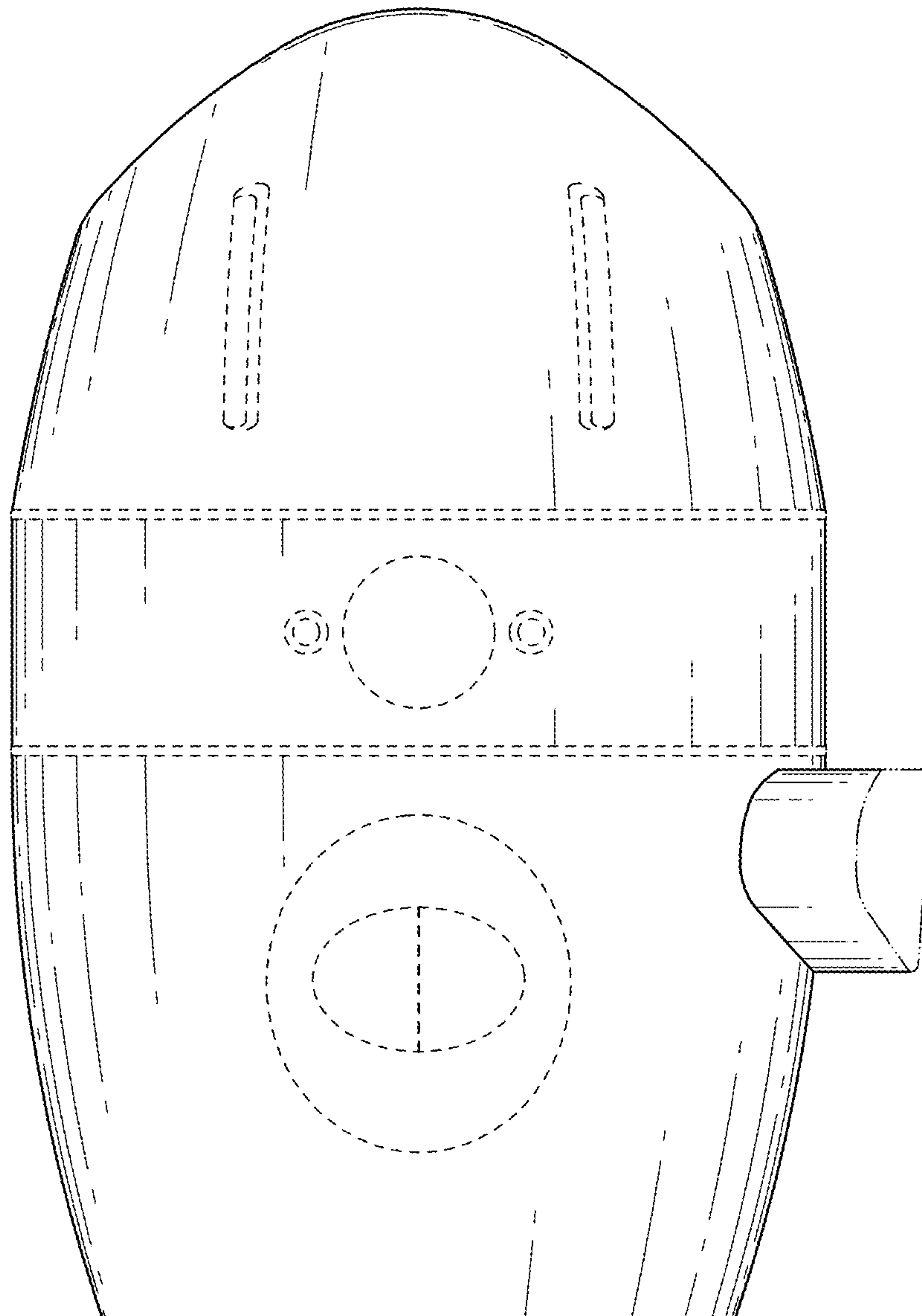


FIG. 7

