



US00D824063S

(12) **United States Design Patent**  
**Hutchens et al.**

(10) **Patent No.:** **US D824,063 S**

(45) **Date of Patent:** **\*\* Jul. 24, 2018**

(54) **COMPACT LIGHT**

8,282,233 B2 10/2012 Quittner  
D697,244 S \* 1/2014 McKechnie ..... D26/60  
8,851,697 B2 10/2014 Quittner

(71) Applicant: **COAST CUTLERY CO.**, Portland, OR  
(US)

(72) Inventors: **Douglas R. Hutchens**, Lake Oswego,  
OR (US); **Stephen E. Hubert**, Portland,  
OR (US); **David D. Lewin**, Portland,  
OR (US); **Song Yangzhi**, Cixi (CN)

(73) Assignee: **COAST CUTLERY CO.**, Portland, OR  
(US)

(\*\*) Term: **15 Years**

(21) Appl. No.: **29/603,114**

(22) Filed: **May 5, 2017**

(51) **LOC (11) Cl.** ..... **26-03**

(52) **U.S. Cl.**  
USPC ..... **D26/60**

(58) **Field of Classification Search**  
USPC ..... D26/1, 24, 60, 61, 63, 65, 85, 92, 93,  
D26/104, 106

CPC ..... F21V 21/14; F21V 15/01; F21V 14/02;  
F21V 21/30; F21V 21/00; F21V 14/00;  
F21S 8/00; F21S 8/003; F21S 8/043;  
F21Y 2105/001

See application file for complete search history.

(56) **References Cited**

**U.S. PATENT DOCUMENTS**

7,021,783 B2 4/2006 Quittner  
D549,379 S \* 8/2007 Sharrah ..... D26/60  
7,306,348 B2 12/2007 Quittner  
7,497,584 B1 3/2009 Quittner  
D608,038 S \* 1/2010 Chan ..... D26/60  
7,862,193 B1 1/2011 Quittner  
7,984,998 B1 7/2011 Quittner

**OTHER PUBLICATIONS**

pelican.com; Pelican VB3 light; [https://web.archive.org/web/20040605003951fw\\_/http://www.pelican.com:80/new\\_products/trade.html](https://web.archive.org/web/20040605003951fw_/http://www.pelican.com:80/new_products/trade.html); Mar. 23, 2004.

\* cited by examiner

*Primary Examiner* — Brian N Vinson

(74) *Attorney, Agent, or Firm* — Schwabe Williamson & Wyatt, PC

(57) **CLAIM**

We claim the ornamental design for a compact light, as shown and described.

**DESCRIPTION**

FIG. 1 is a perspective view of an embodiment of the present invention;

FIG. 2 is a front elevation view of the embodiment of FIG. 1;

FIG. 3 is a rear elevation view of the embodiment of FIG. 1;

FIG. 4 is a side elevation view of the right side of the embodiment of FIG. 1;

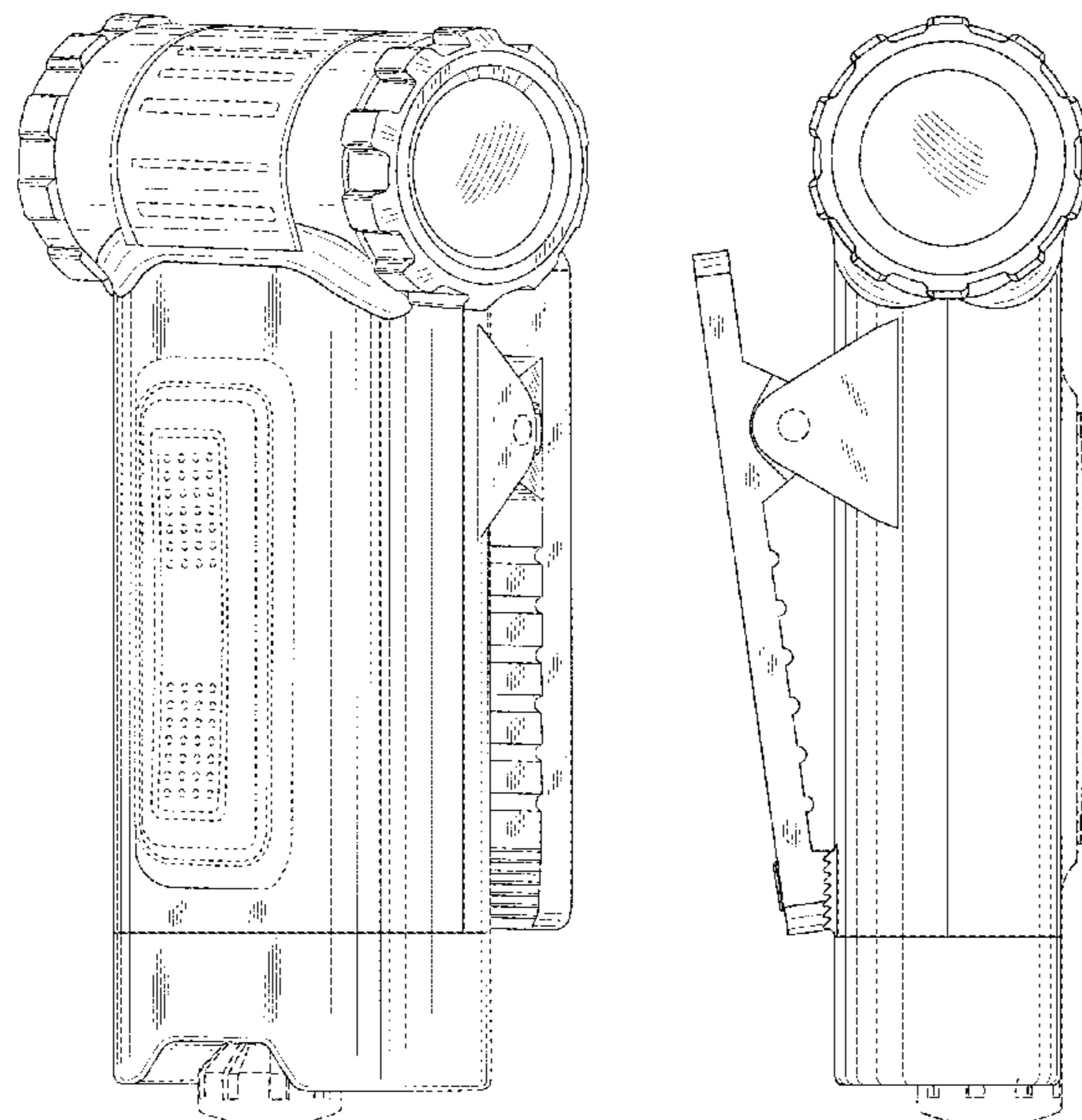
FIG. 5 is a side elevation view of the left side of the embodiment of FIG. 1;

FIG. 6 is an end elevation view of the top of the embodiment of FIG. 1; and,

FIG. 7 is an end elevation view of the bottom of the embodiment of FIG. 1.

The broken line disclosure represents portions of the light which form no part of the claimed design.

**1 Claim, 5 Drawing Sheets**



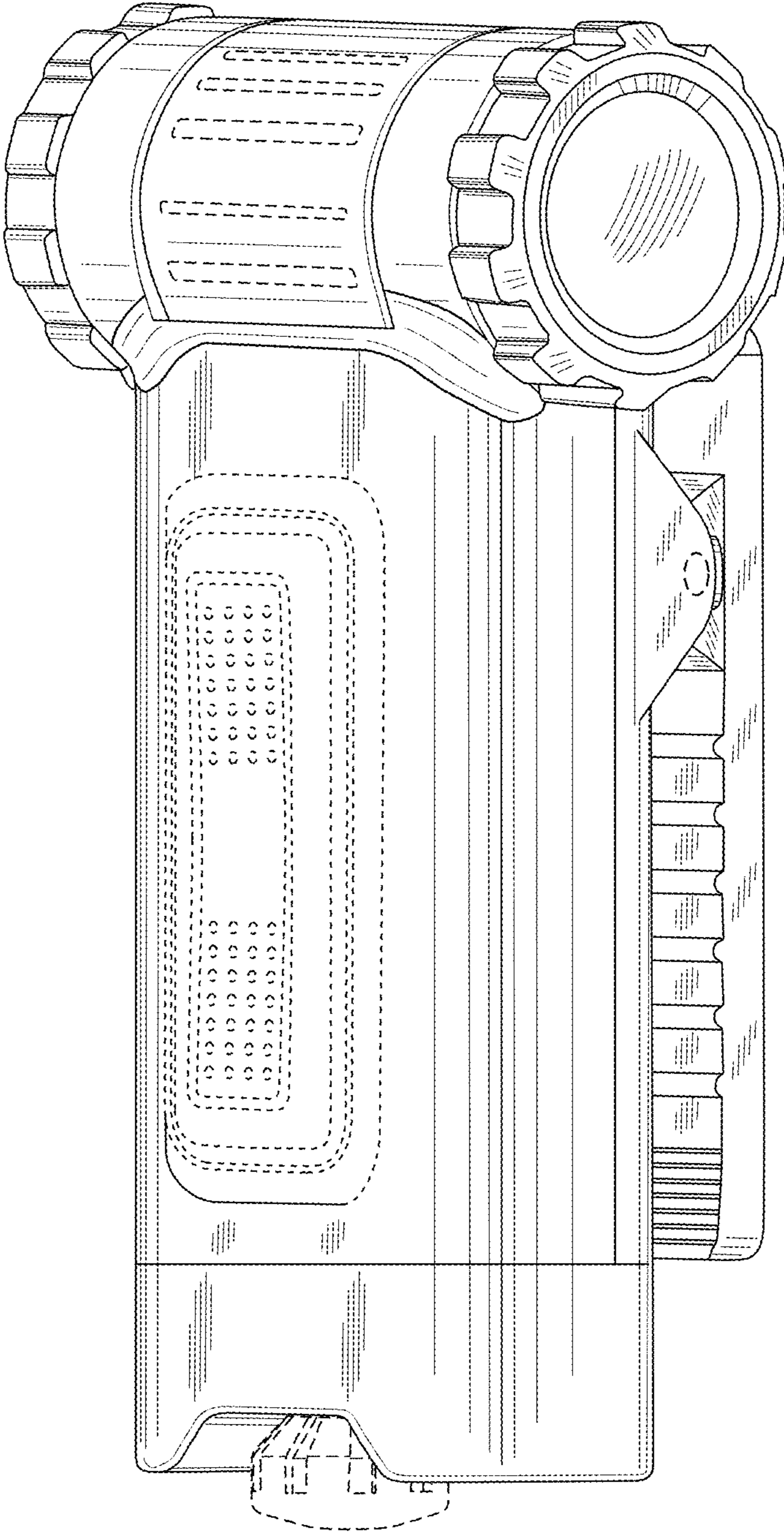


FIG. 1

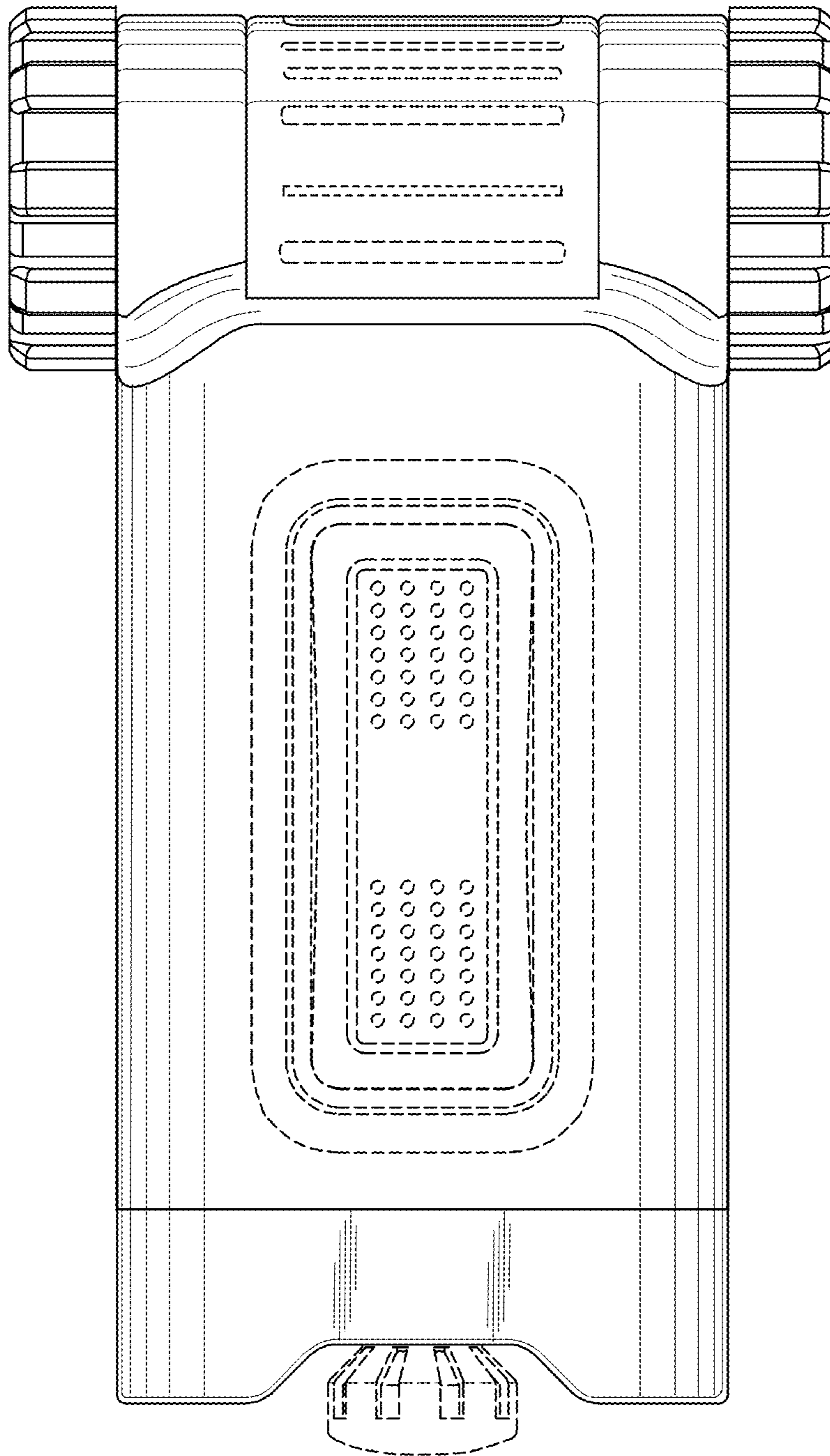


FIG. 2

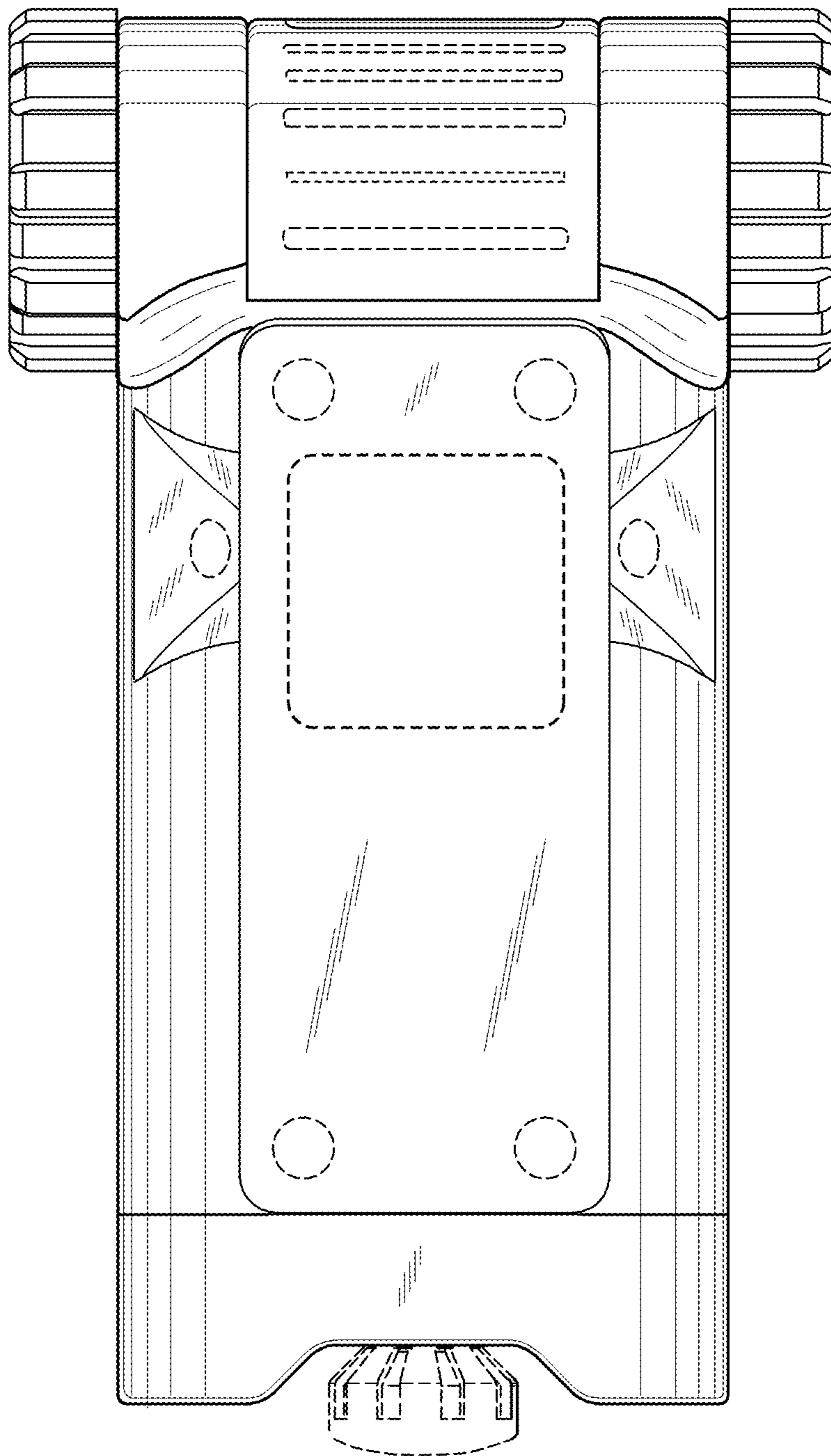


FIG. 3



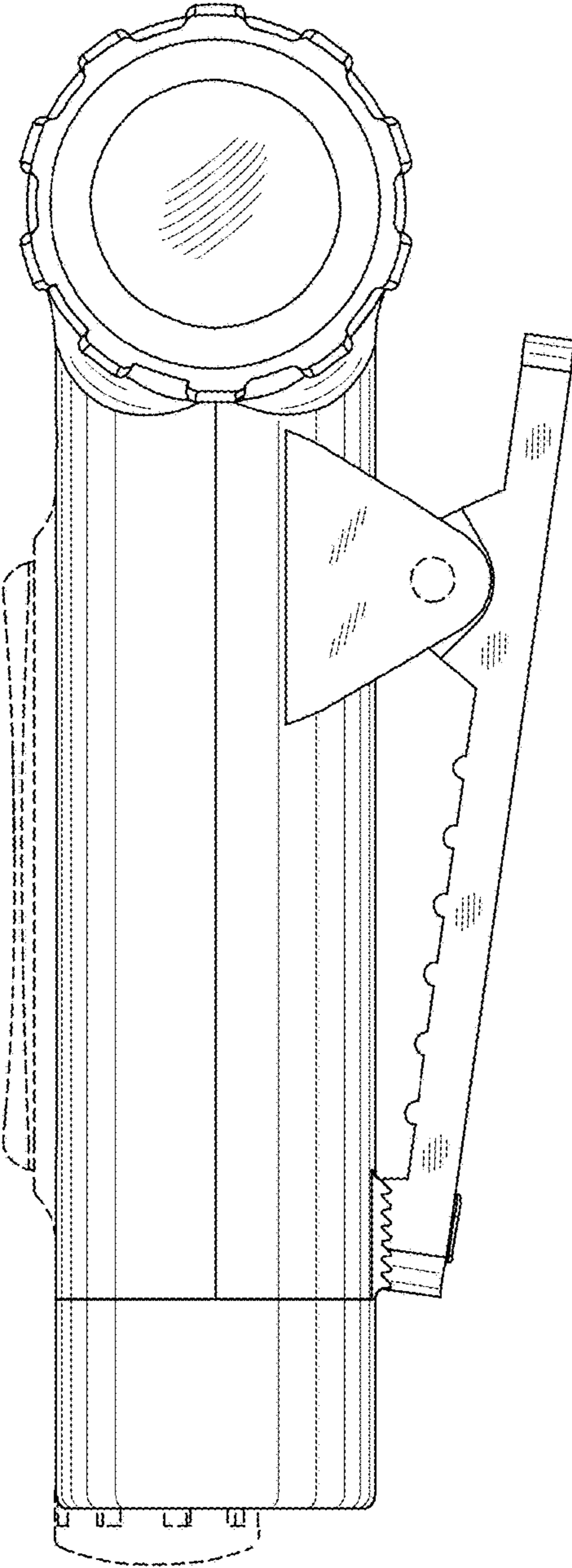


FIG. 4

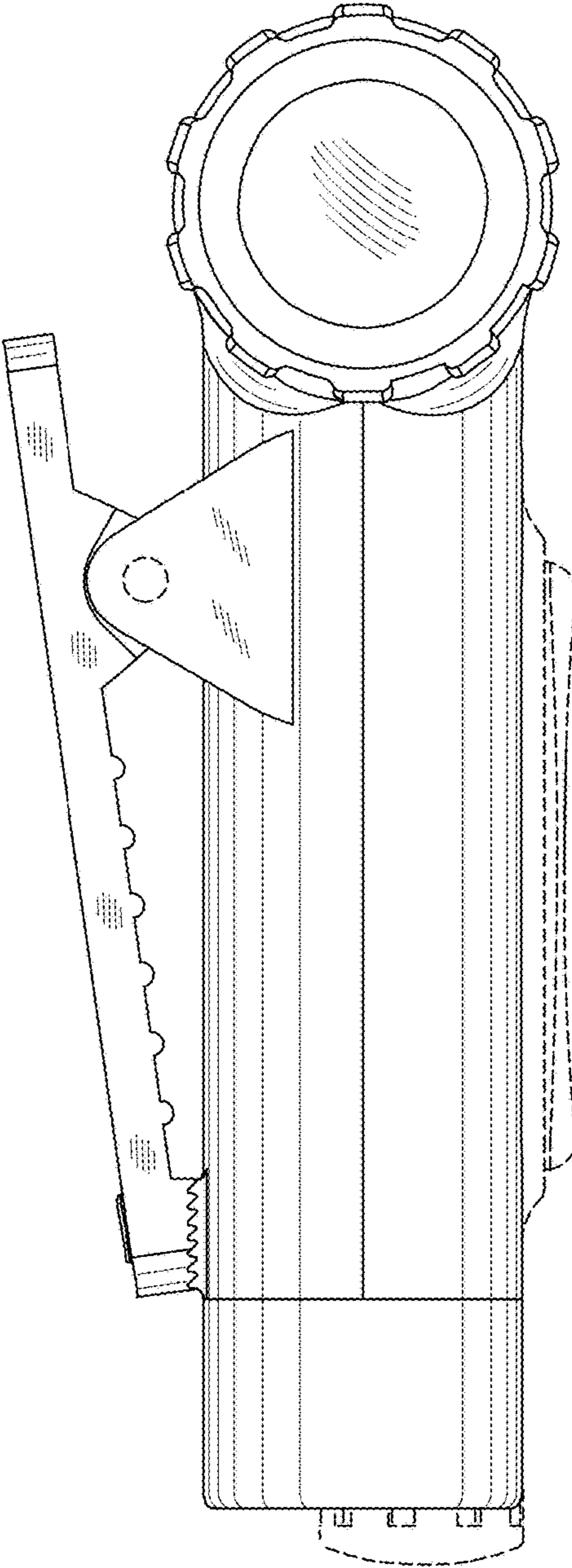


FIG. 5

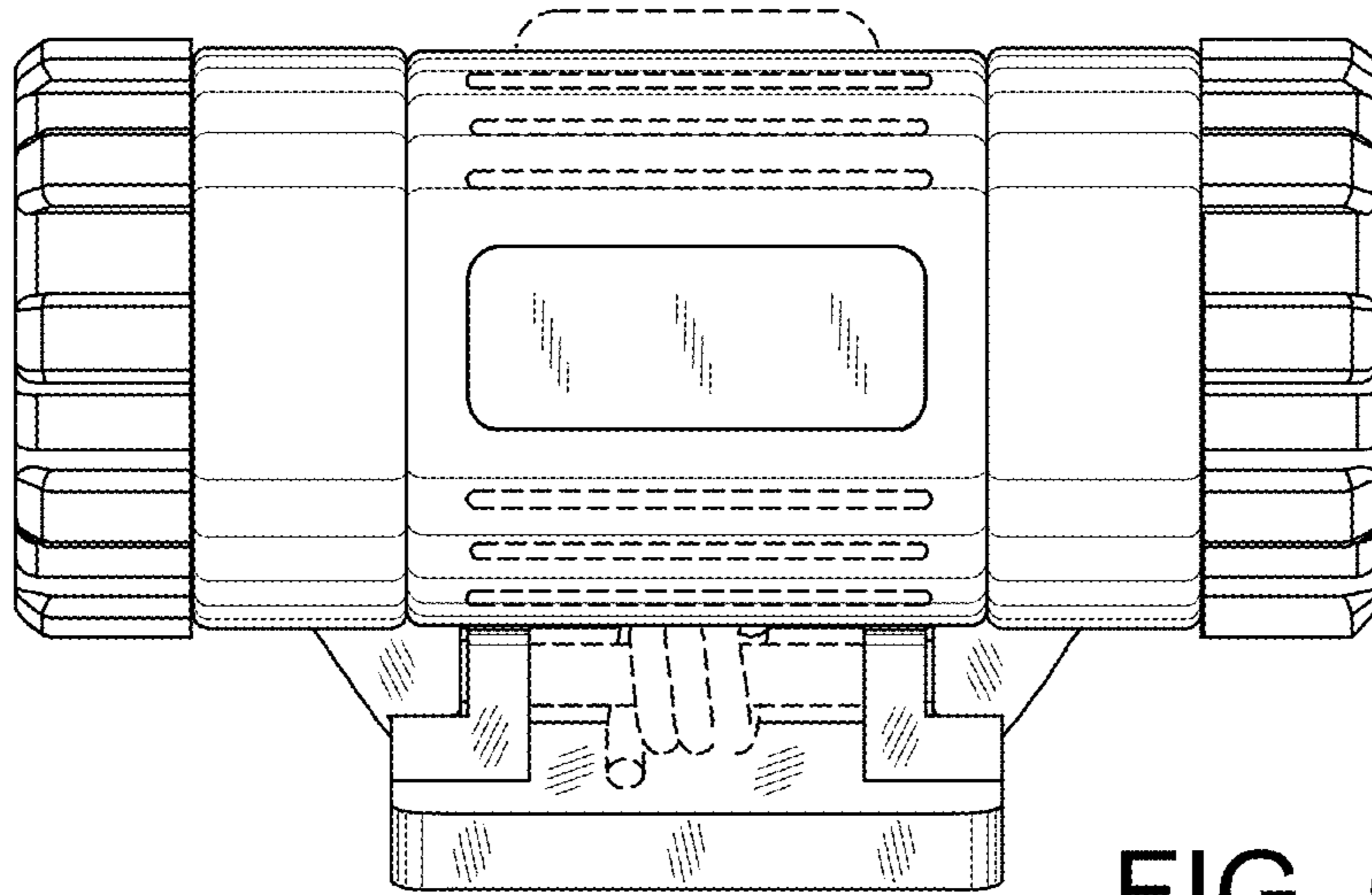


FIG. 6

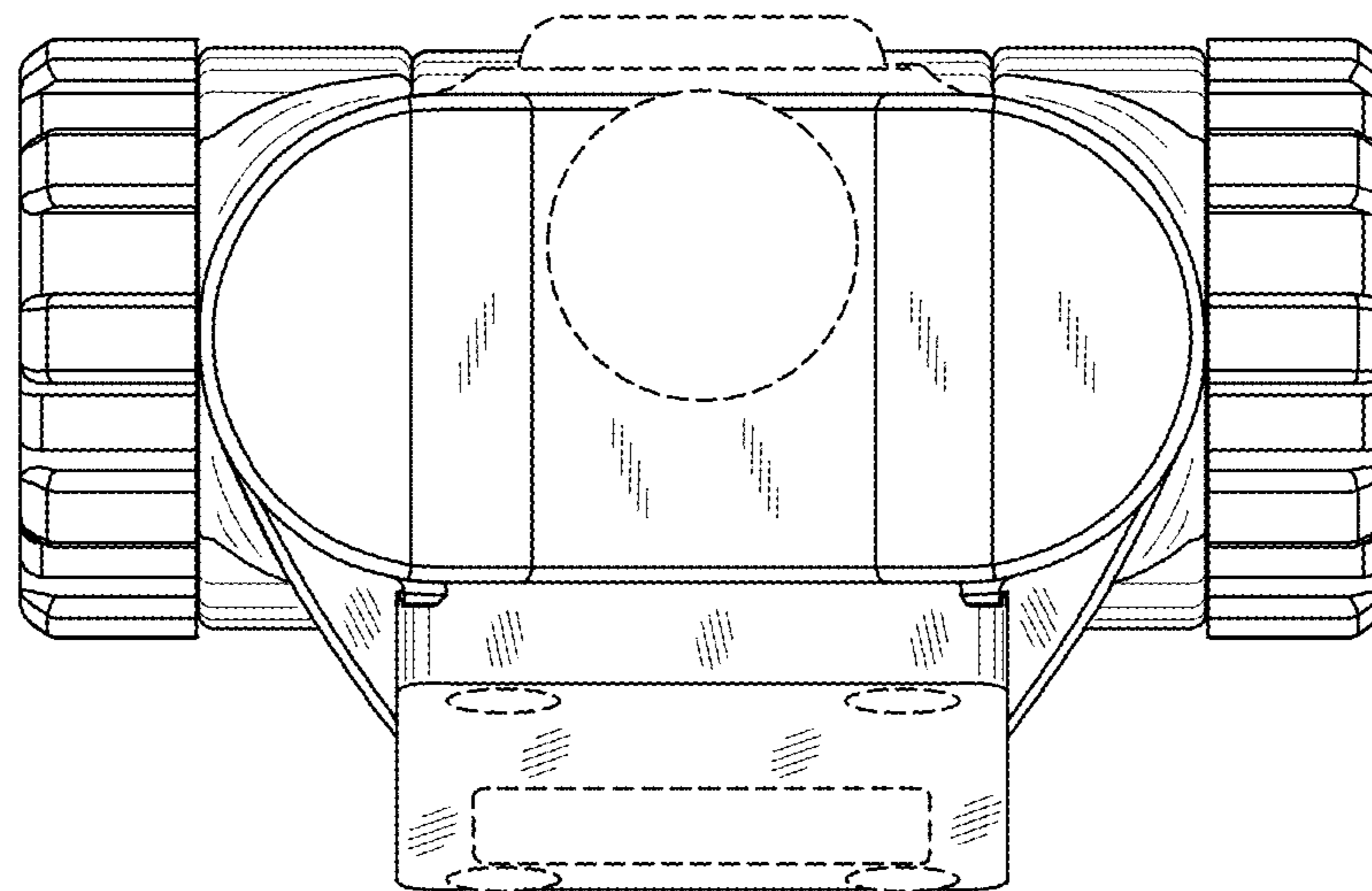


FIG. 7