



US00D824062S

(12) **United States Design Patent**
Qiu

(10) **Patent No.:** **US D824,062 S**
(45) **Date of Patent:** **** Jul. 24, 2018**

(54) **CLIP-ON LIGHT**

(71) Applicant: **Ningbo Futai Electric Limited,**
Ningbo, Zhejiang (CN)

(72) Inventor: **Fujun Qiu,** Ningbo (CN)

(73) Assignee: **Ningbo Futai Electric Limited,**
Yinzhou, Ningbo (CN)

(**) Term: **15 Years**

(21) Appl. No.: **29/589,326**

(22) Filed: **Dec. 30, 2016**

(30) **Foreign Application Priority Data**

Jun. 30, 2016 (CN) 2016 3 0292987

(51) **LOC (11) Cl.** **26-02**

(52) **U.S. Cl.**
USPC **D26/60**

(58) **Field of Classification Search**
USPC D26/1, 24, 61, 62, 72, 93, 106, 118, 60
CPC F21S 6/00; F21S 6/002; F21S 6/003; F21S
6/004; F21S 6/005; F21S 6/006; F21S
6/007; F21V 21/02; F21V 21/088; F21W
2121/00; F21W 2131/30

See application file for complete search history.

(56) **References Cited**

U.S. PATENT DOCUMENTS

D290,519 S *	6/1987	Kuo	D26/60
D498,322 S *	11/2004	Schnell	D26/60
7,390,105 B2 *	6/2008	Nelson	F21V 21/088 362/198
D753,868 S *	4/2016	Smith	D26/118
D775,392 S *	12/2016	Law	D26/61
D788,961 S *	6/2017	Edgar	D26/60

* cited by examiner

Primary Examiner — Brian N. Vinson

(74) *Attorney, Agent, or Firm* — Raymond Y. Chan;
David and Raymond Patent Firm

(57) **CLAIM**

The ornamental design for a clip-on light, as shown and described.

DESCRIPTION

FIG. 1 is a front perspective view of the clip-on light, showing my new design.

FIG. 2 is a front view of the clip-on light.

FIG. 3 is a rear view of the clip-on light.

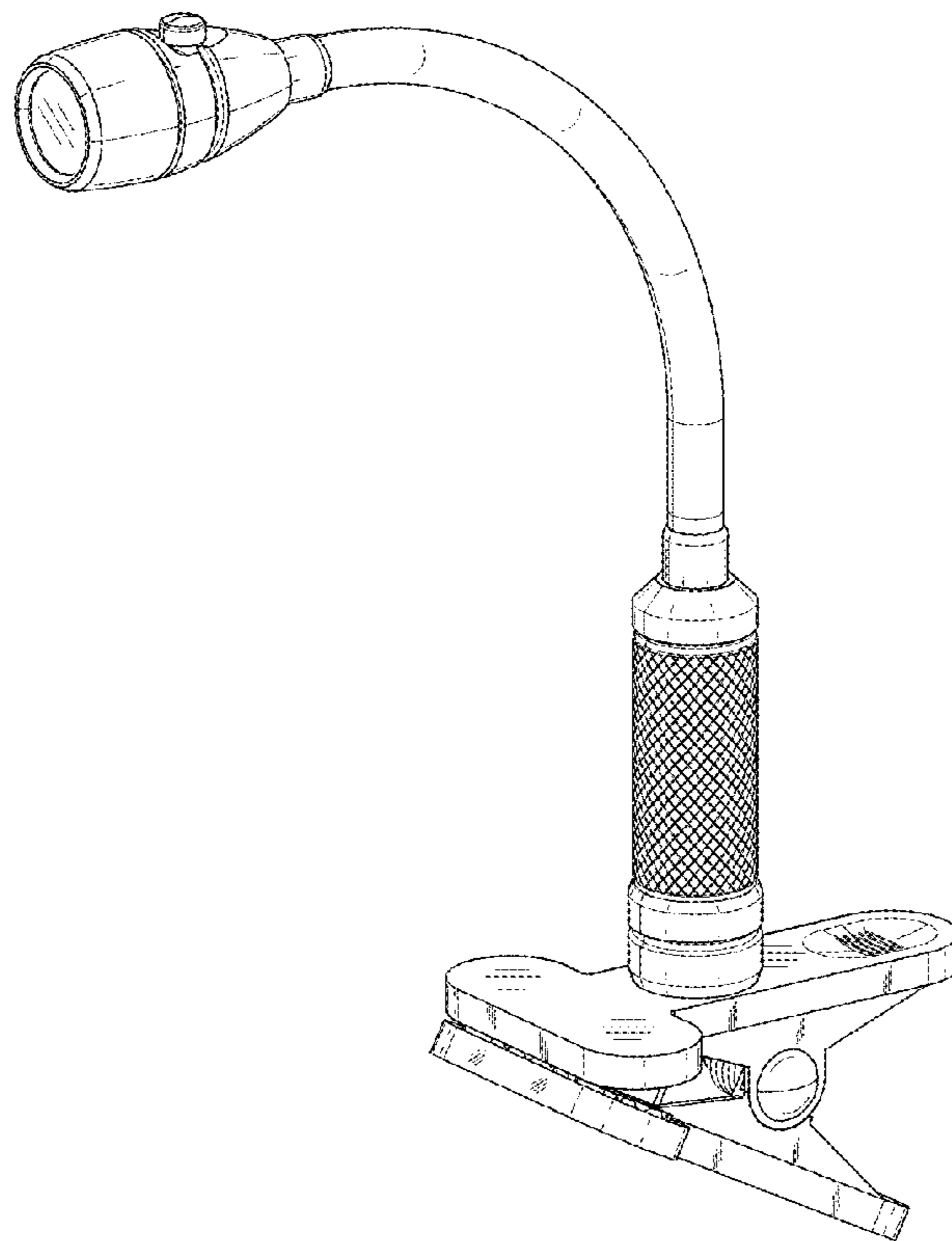
FIG. 4 is a left view of the clip-on light.

FIG. 5 is a right view of the clip-on light.

FIG. 6 is a top view of the clip-on light; and,

FIG. 7 is a bottom view of the clip-on light.

1 Claim, 7 Drawing Sheets



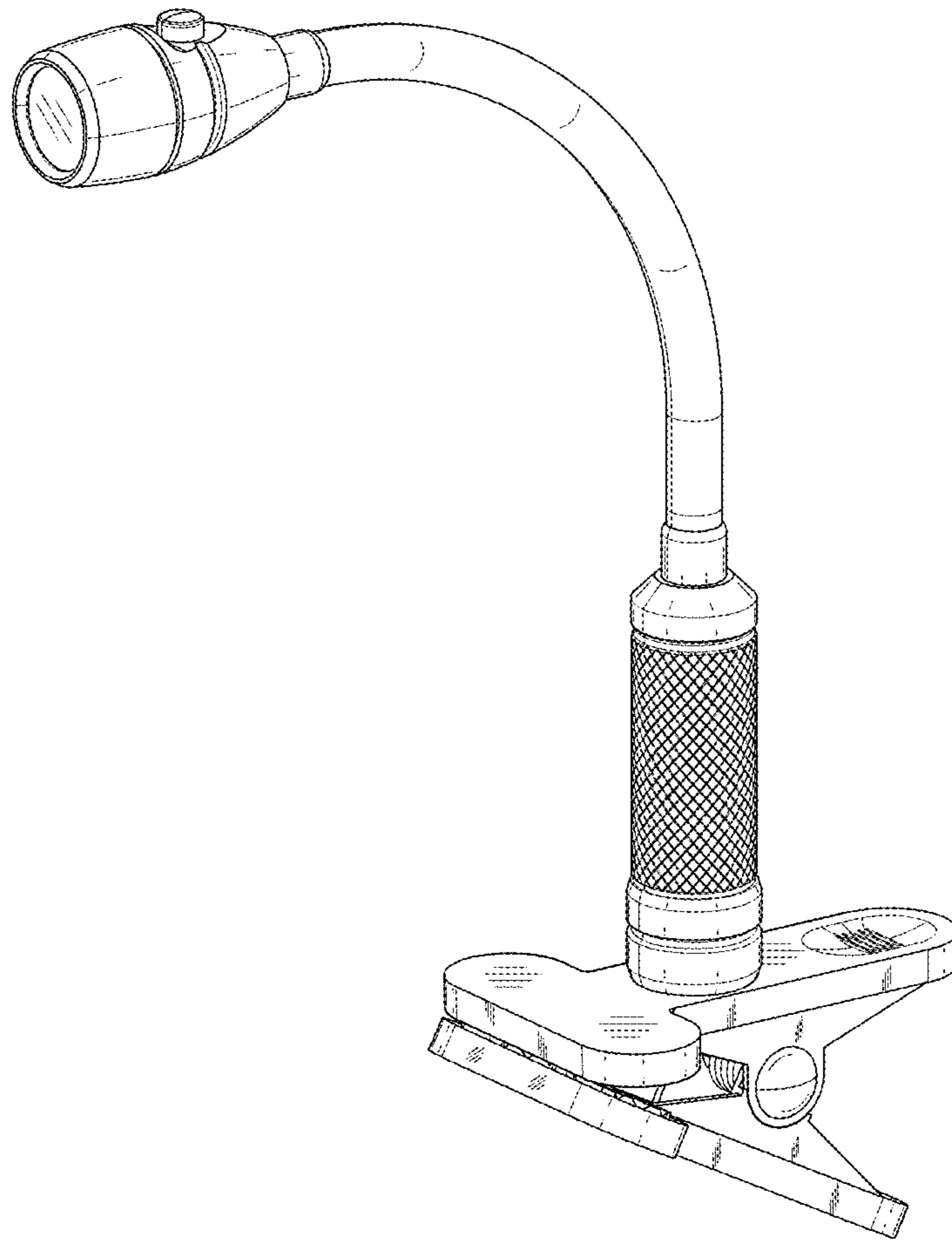


FIG.1

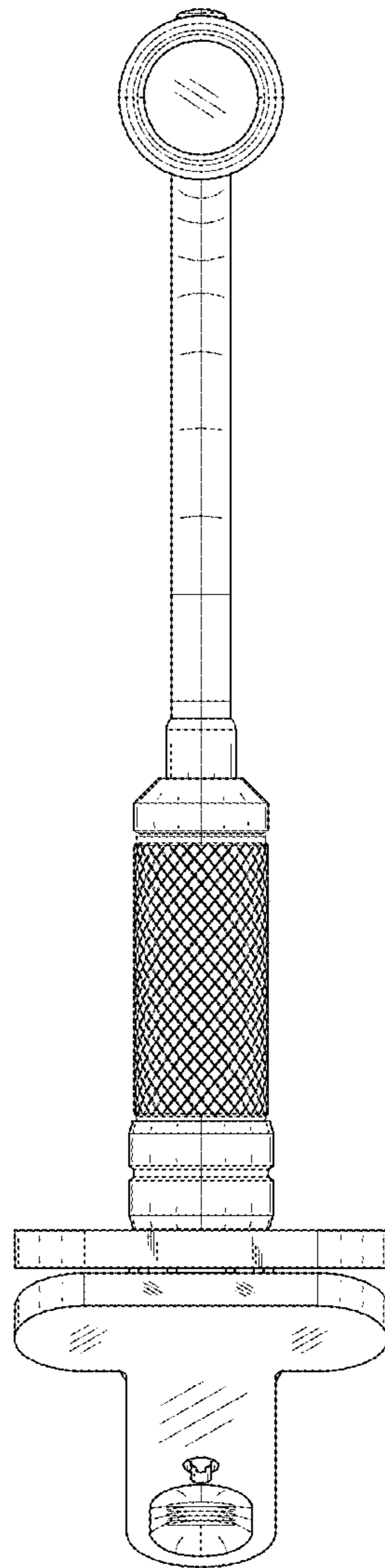


FIG.2

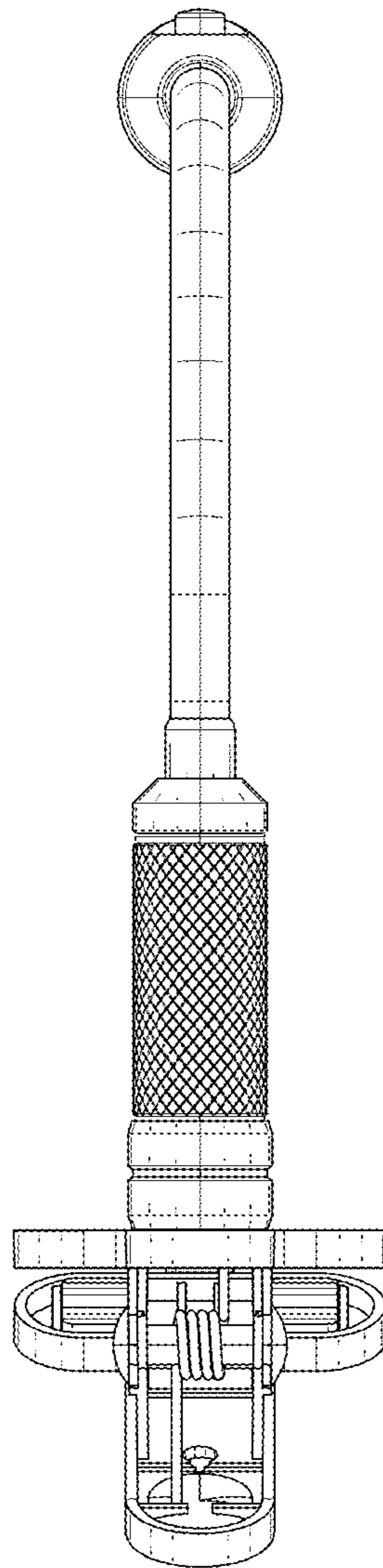


FIG.3

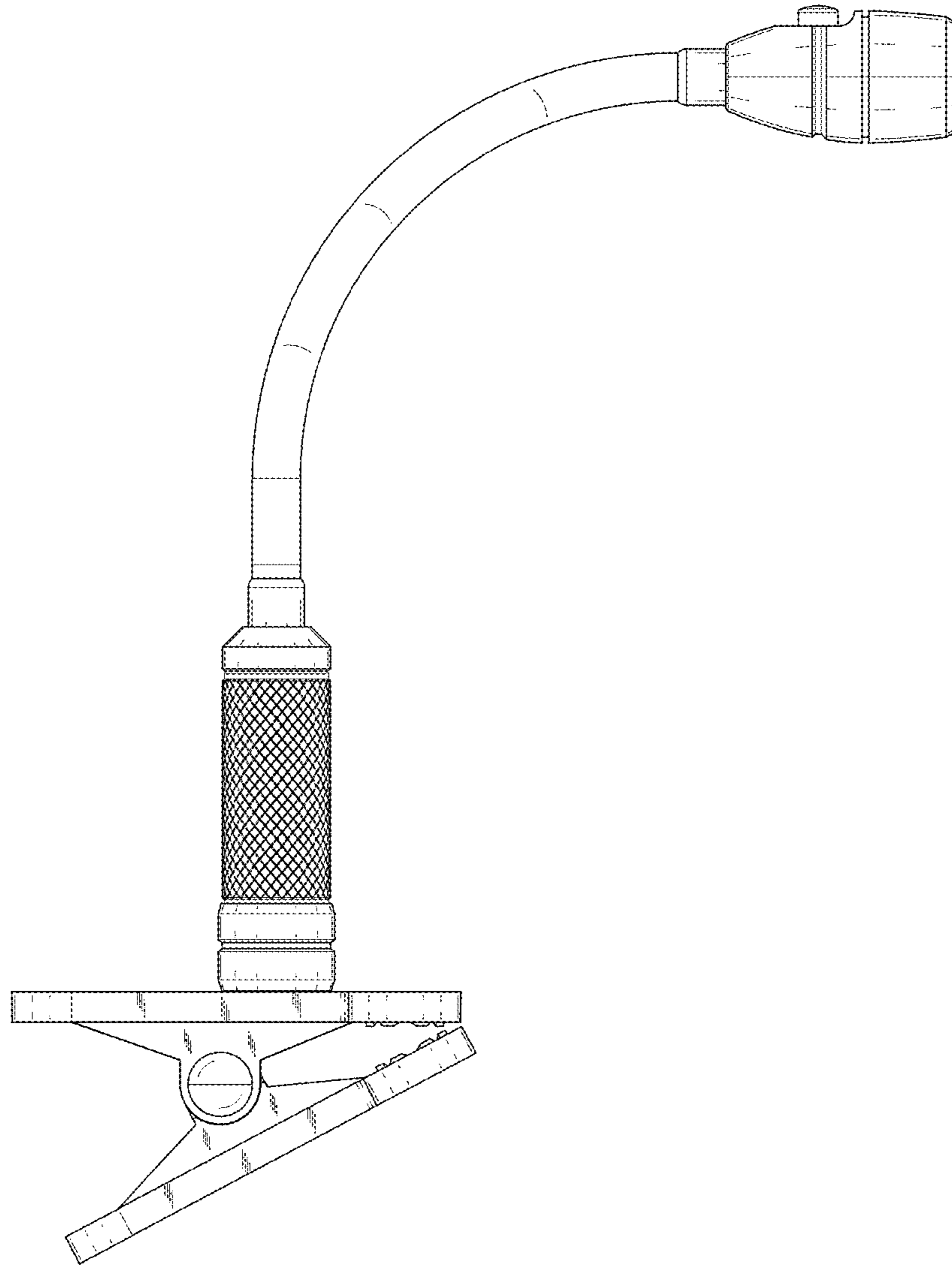


FIG.4

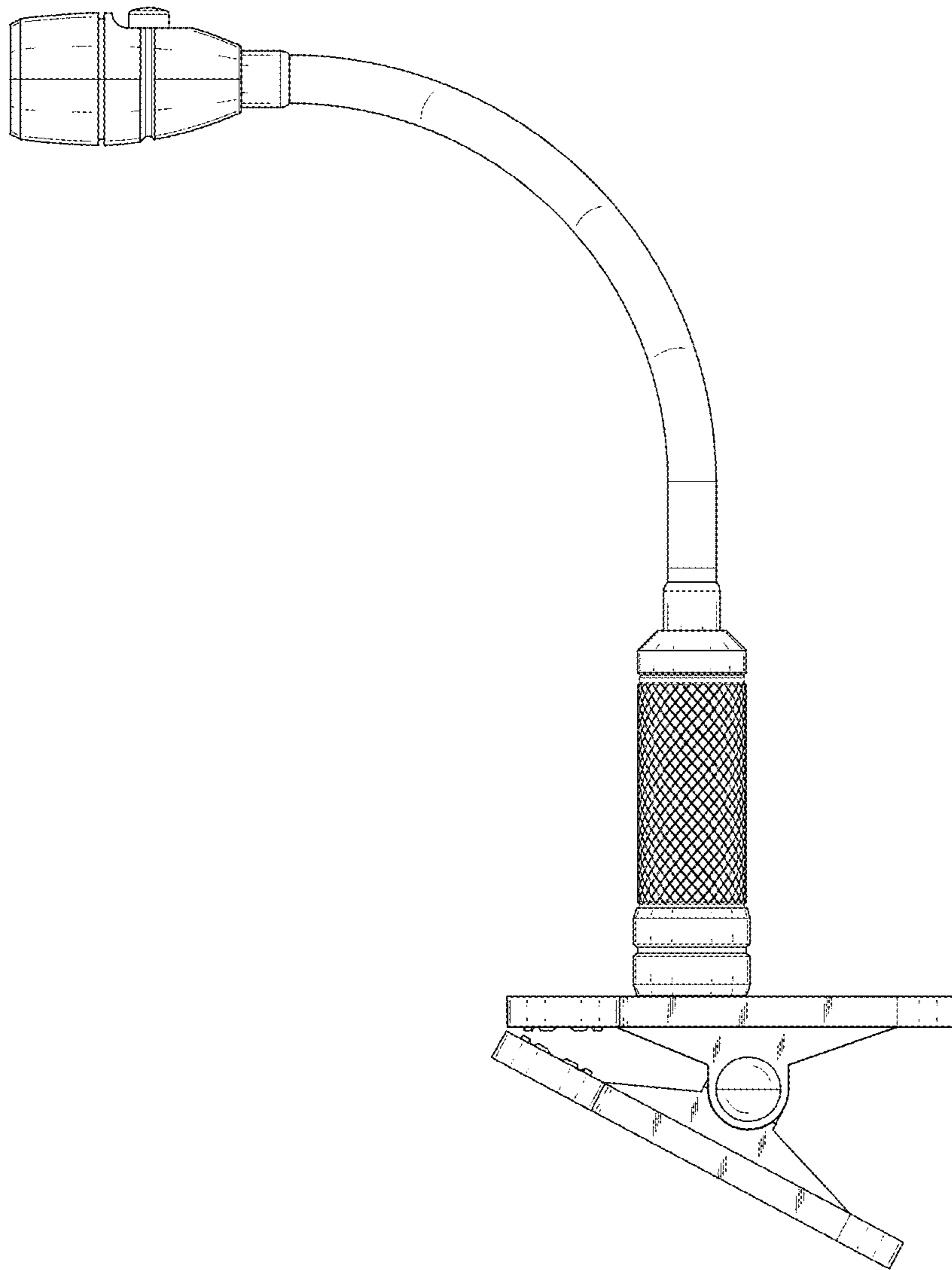


FIG.5

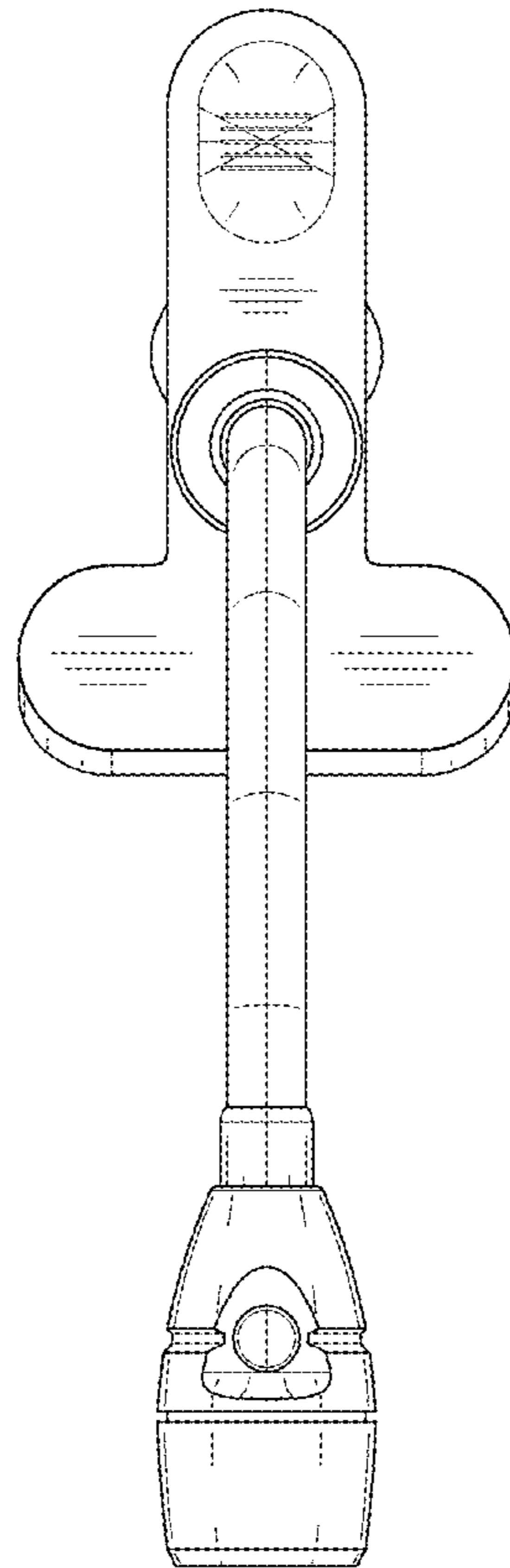


FIG.6

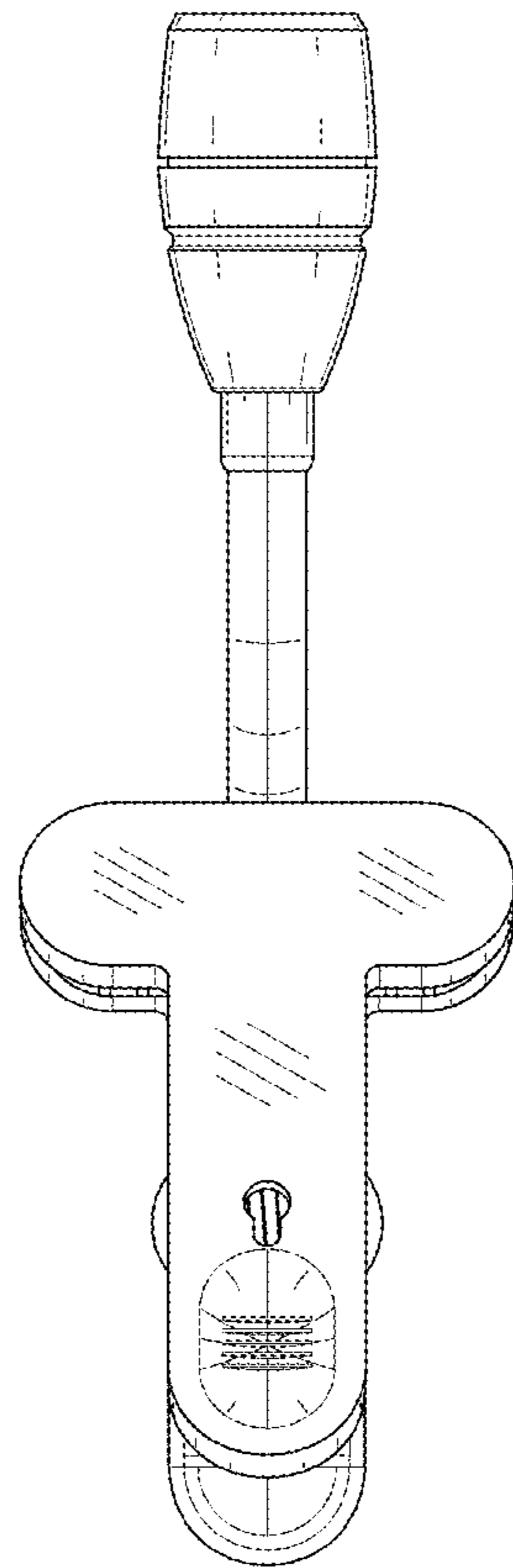


FIG.7