



US00D824061S

(12) **United States Design Patent**
Killion et al.

(10) **Patent No.:** **US D824,061 S**

(45) **Date of Patent:** **** Jul. 24, 2018**

(54) **FLASHLIGHT**

(71) Applicant: **Thomas Killion**, Indianapolis, IN (US)

(72) Inventors: **Thomas Killion**, Indianapolis, IN (US);
Samuel Werth, Indianapolis, IN (US)

(73) Assignee: **Thomas Killion**, Indianapolis, IN (US)

(**) Term: **14 Years**

(21) Appl. No.: **29/520,786**

(22) Filed: **Mar. 17, 2015**

(51) **LOC (11) Cl.** **26-02**

(52) **U.S. Cl.**

USPC **D26/46**

(58) **Field of Classification Search**

USPC D26/46, 49, 37, 38, 51; 362/158, 183,
362/184, 194-196, 200-208

CPC F21L 2003/00; F21L 4/00; F21L 4/005;
F21L 4/02; F21L 4/025; F21L 4/027;
F21L 4/04; F21L 4/08; F21L 2005/00;
F21L 7/00; F21L 11/00; F21L 13/00;
F21L 13/04; F21L 13/08; F21L 14/02;
F21L 17/00; F21L 19/00

See application file for complete search history.

(56) **References Cited**

U.S. PATENT DOCUMENTS

D328,357 S *	7/1992	Schneider	D26/46
D332,500 S *	1/1993	Churchill	D26/46
D431,355 S *	10/2000	Boyd, Jr.	D26/38
D443,091 S *	5/2001	van Klinken	D26/49
D539,951 S *	4/2007	Qui	D26/37
D606,688 S *	12/2009	Ma	D26/46
D619,282 S *	7/2010	Toomey	D26/37
D636,510 S *	4/2011	Killion	D26/46
D657,484 S *	4/2012	Wu	D26/46
D715,473 S *	10/2014	Killion	D26/46
D748,834 S *	2/2016	Huang	D26/38

* cited by examiner

Primary Examiner — Lakiya G Rogers

Assistant Examiner — Carissa C Fitts

(74) *Attorney, Agent, or Firm* — E. Victor Indiano;
Indiano & McConnell, LLC

(57) **CLAIM**

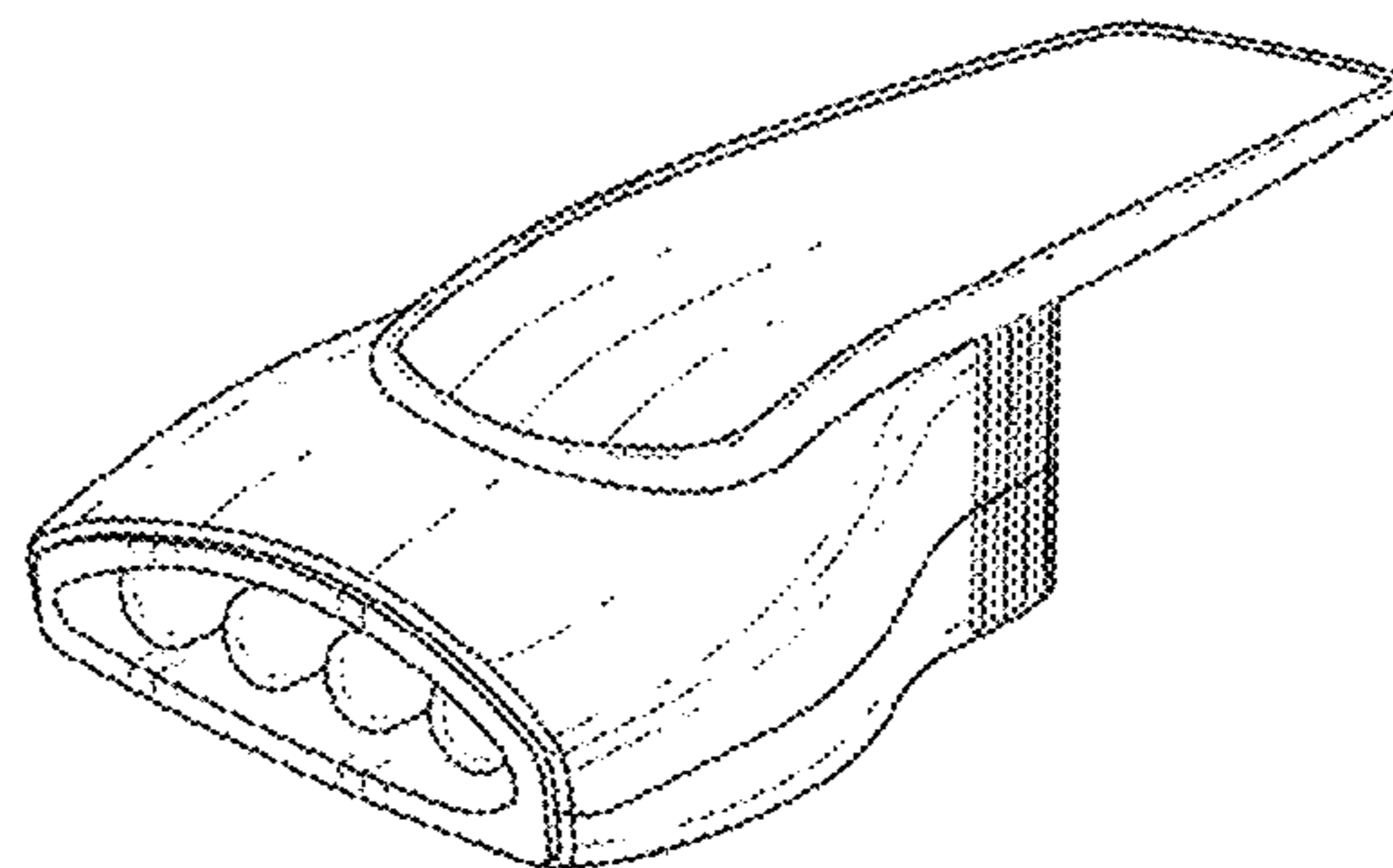
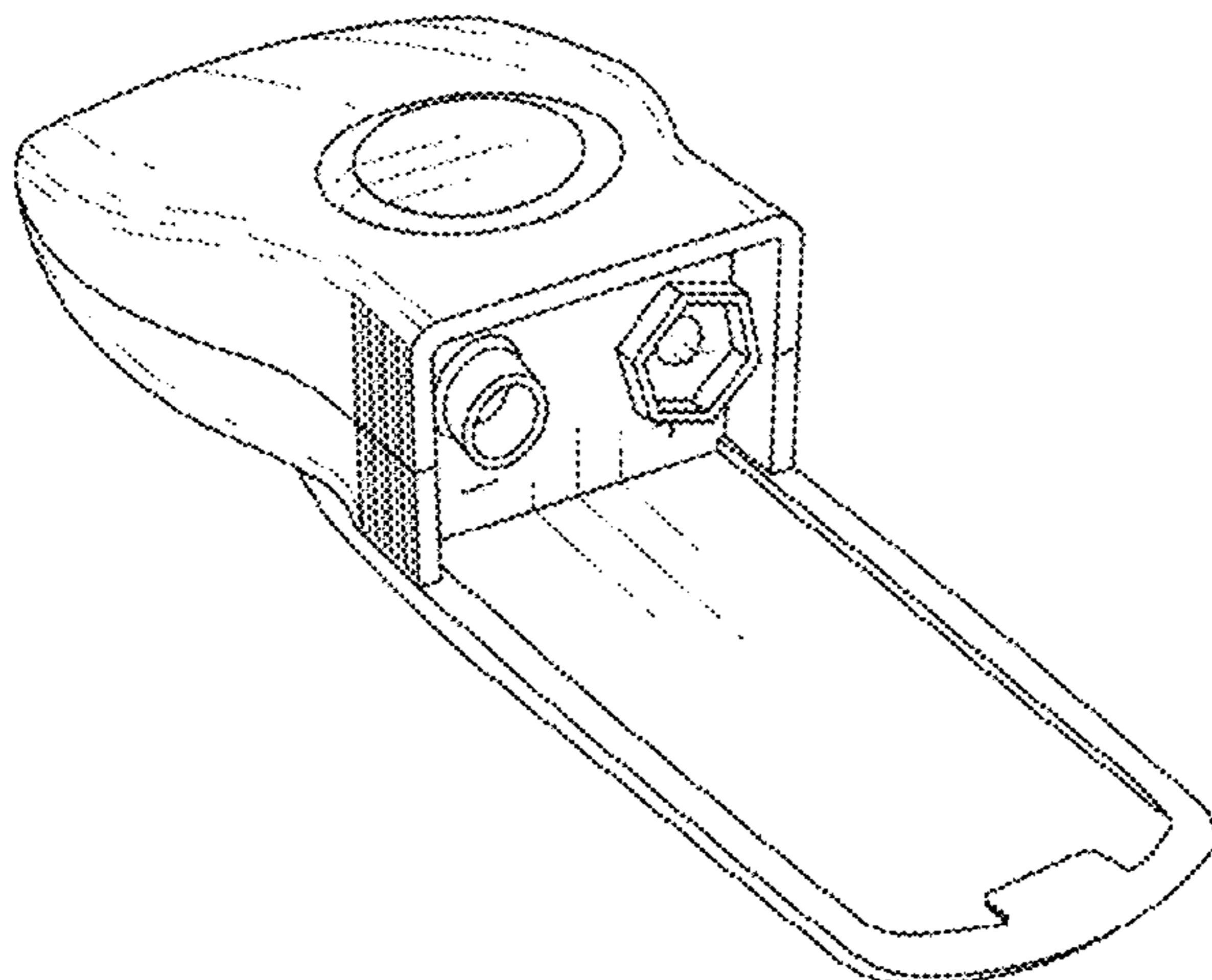
The ornamental design for a flashlight, as shown and described.

DESCRIPTION

FIG. 1 is a top view of a flashlight showing our new design; FIG. 2 is a bottom view of the flashlight of FIG. 1; FIG. 3 is a left side view of the flashlight of FIG. 1; FIG. 4 is a right side view thereof; FIG. 5 is a front view thereof; FIG. 6 is a rear view thereof; FIG. 7 is a rear perspective view featuring the right, rear and bottom sides of the design; FIG. 8 is a front perspective view featuring the left, front and top sides of the design; FIG. 9 is a top view of a flashlight showing our new design with a battery affixed thereto; FIG. 10 is a bottom view of the flashlight of FIG. 9 with the battery affixed thereto; FIG. 11 is a left side view of the flashlight of FIG. 9; FIG. 12 is a right side view thereof; FIG. 13 is a front view thereof; FIG. 14 is a rear view thereof; FIG. 15 is a rear perspective view featuring the right, rear and bottom sides of the design; and, FIG. 16 is a front perspective view featuring the left, front and top sides of the design.

The broken lines showings in the drawings represent unclaimed portions of the article and form no portion of the claimed design.

1 Claim, 8 Drawing Sheets



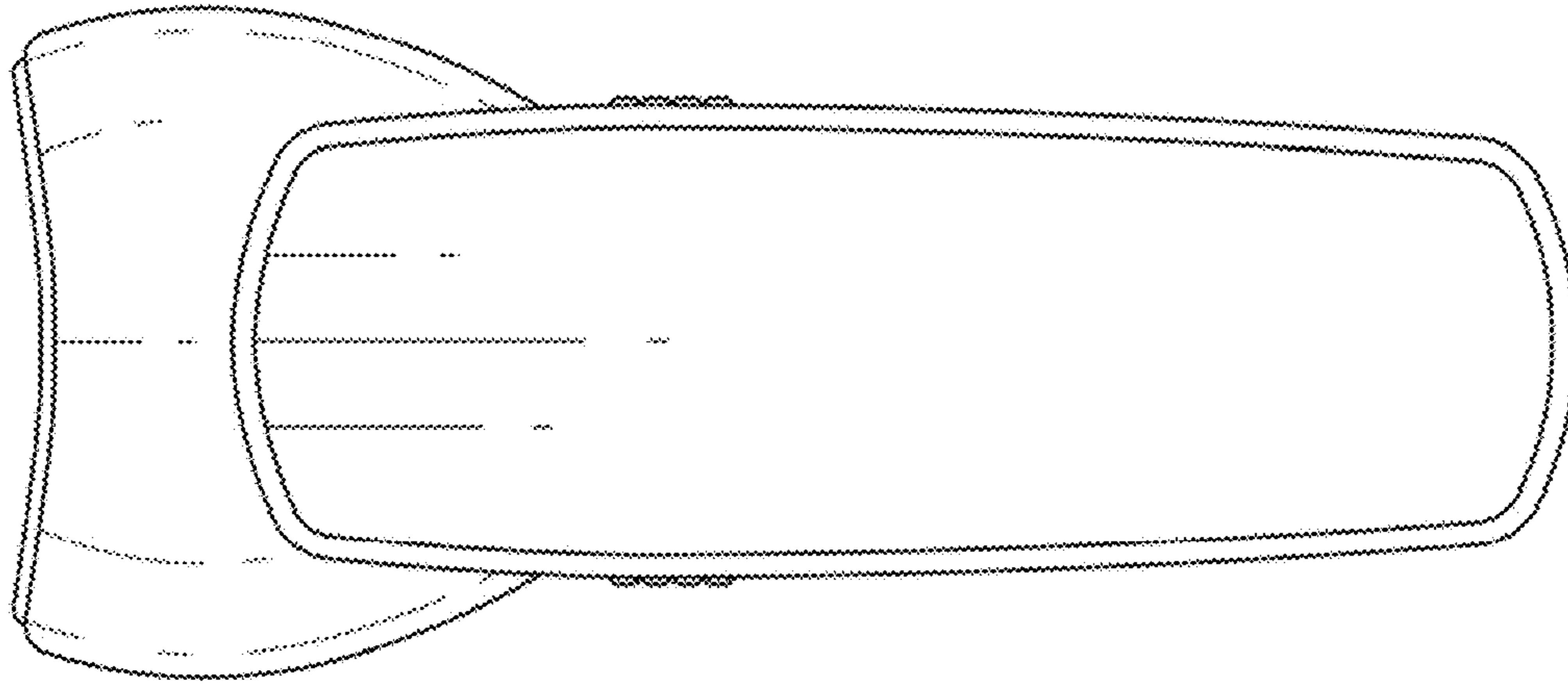


FIG. 1

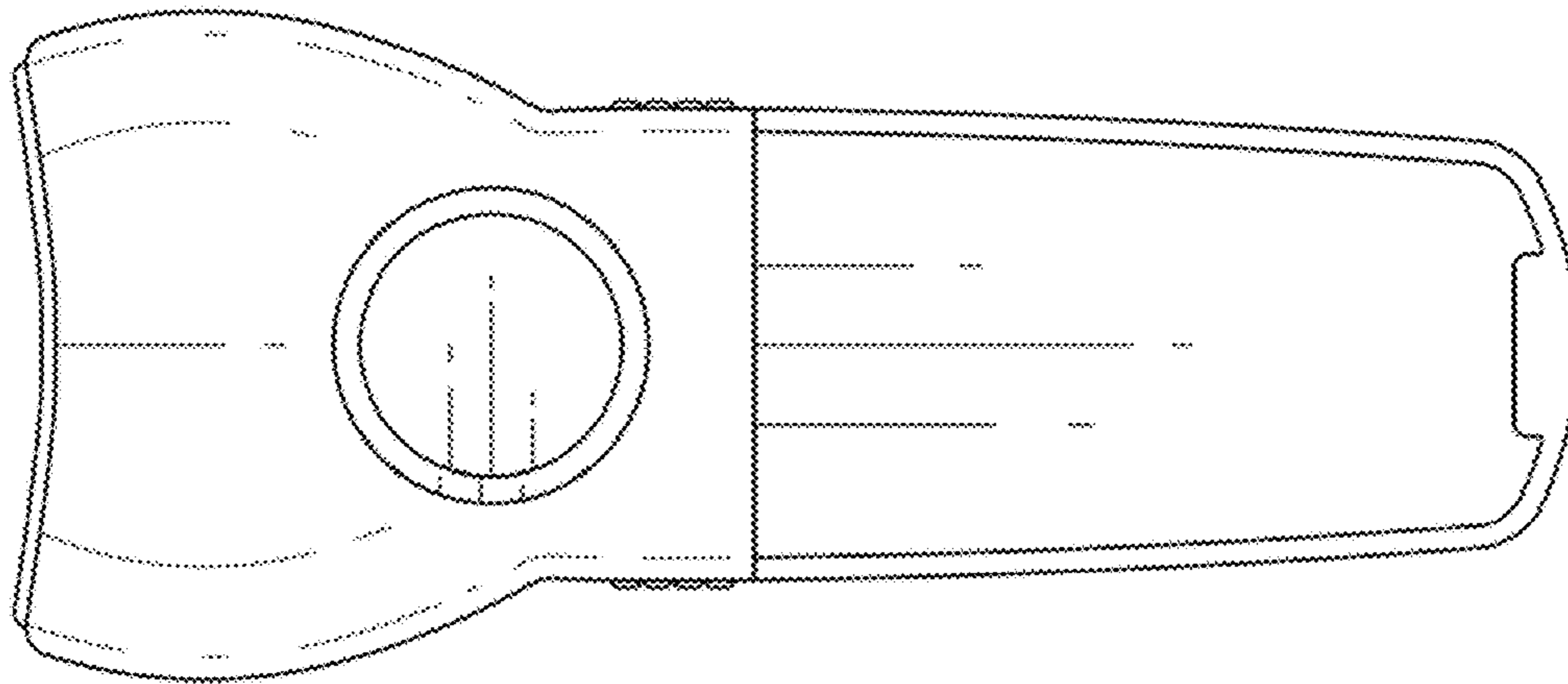


FIG. 2

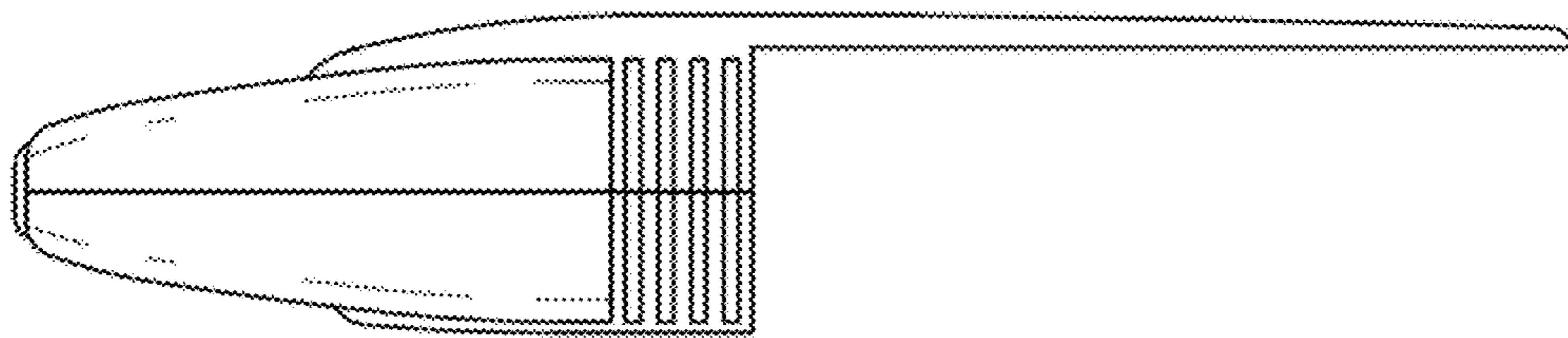


FIG. 3

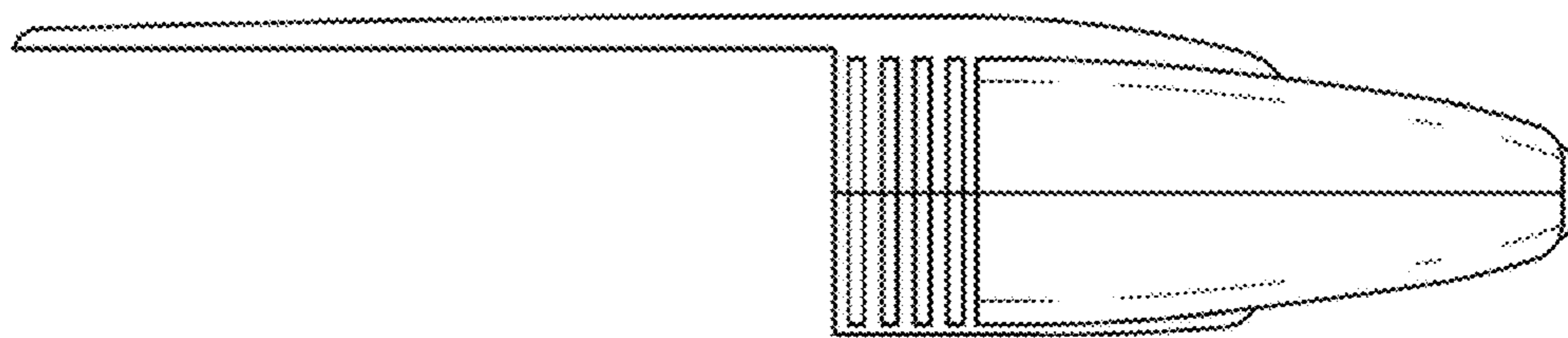


FIG. 4

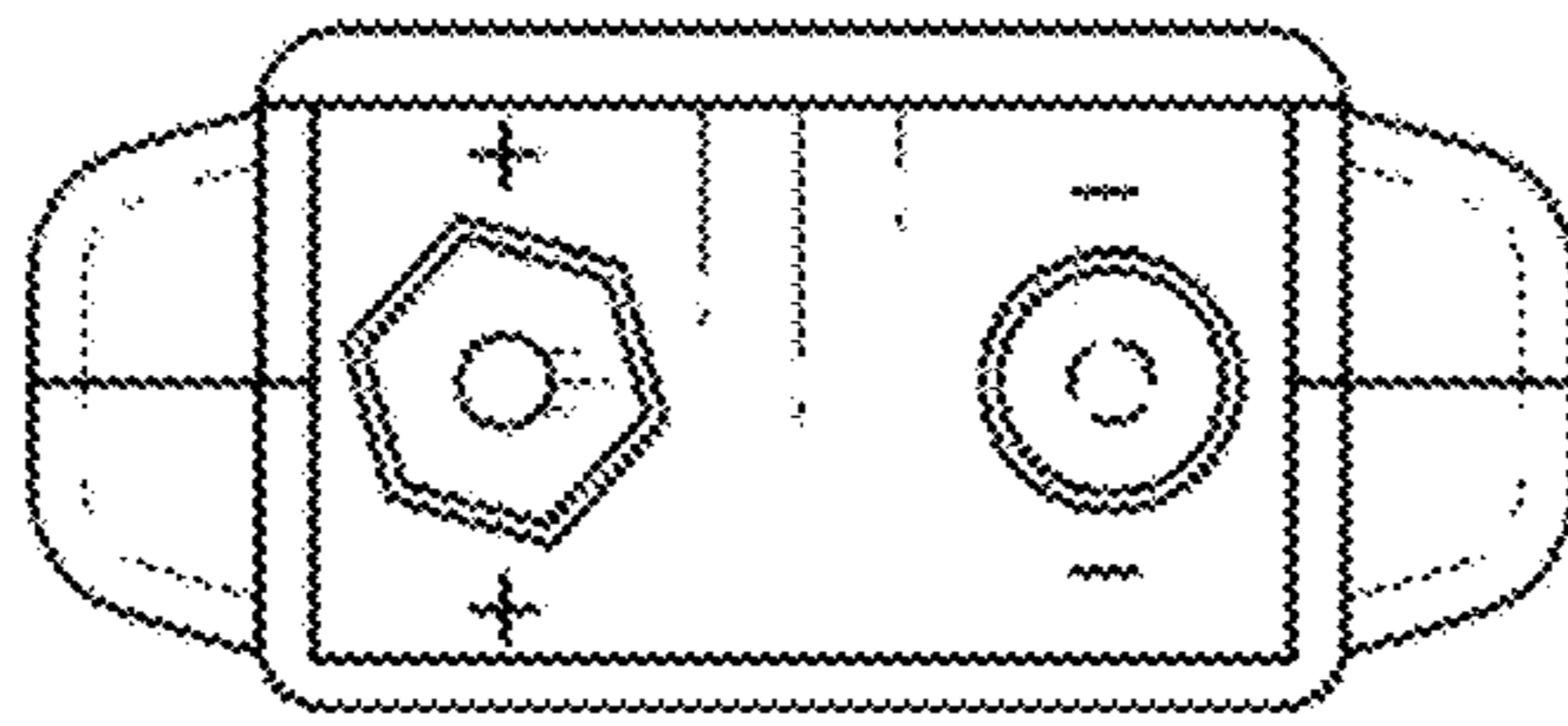


FIG. 5

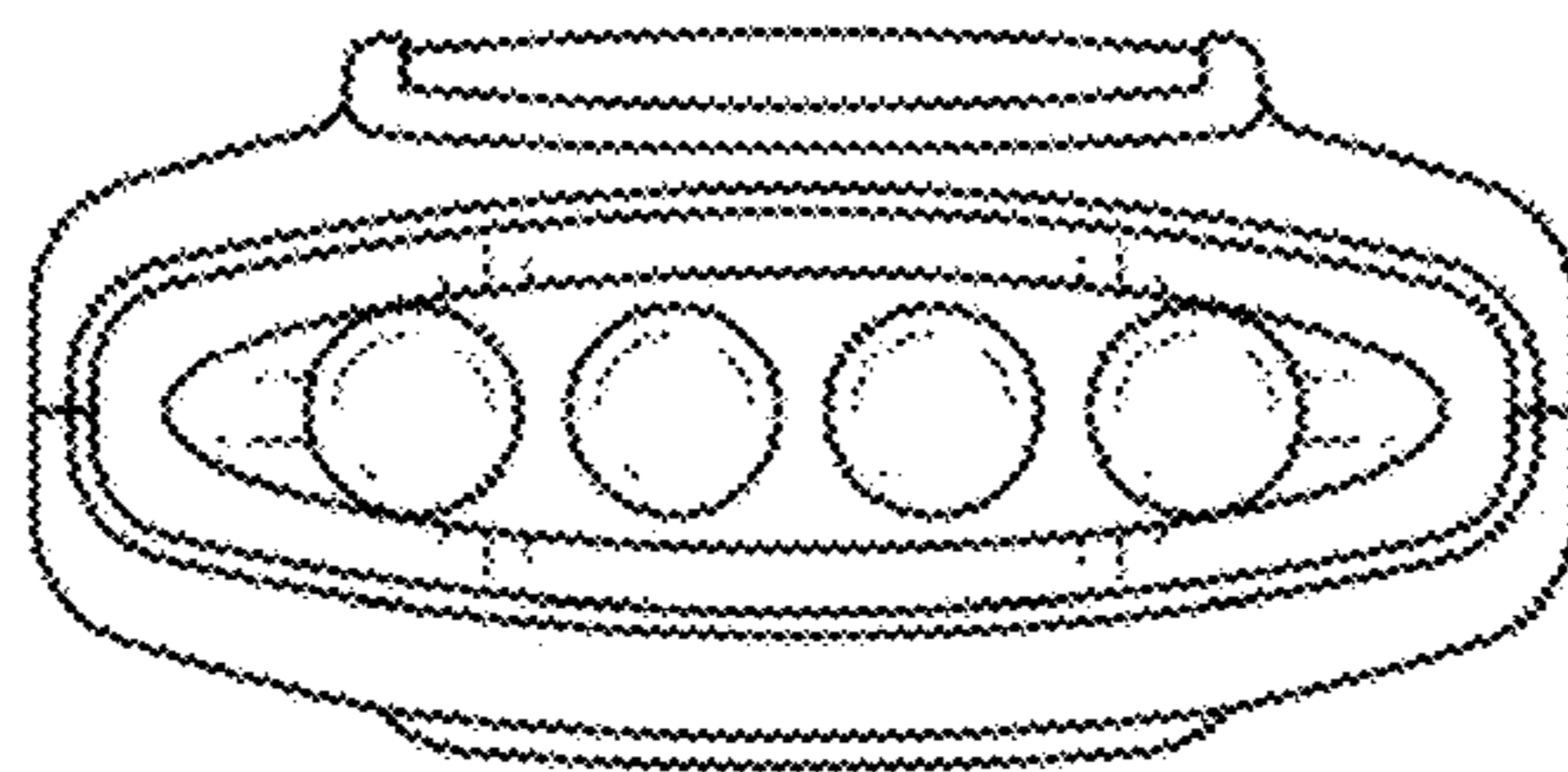


FIG. 6

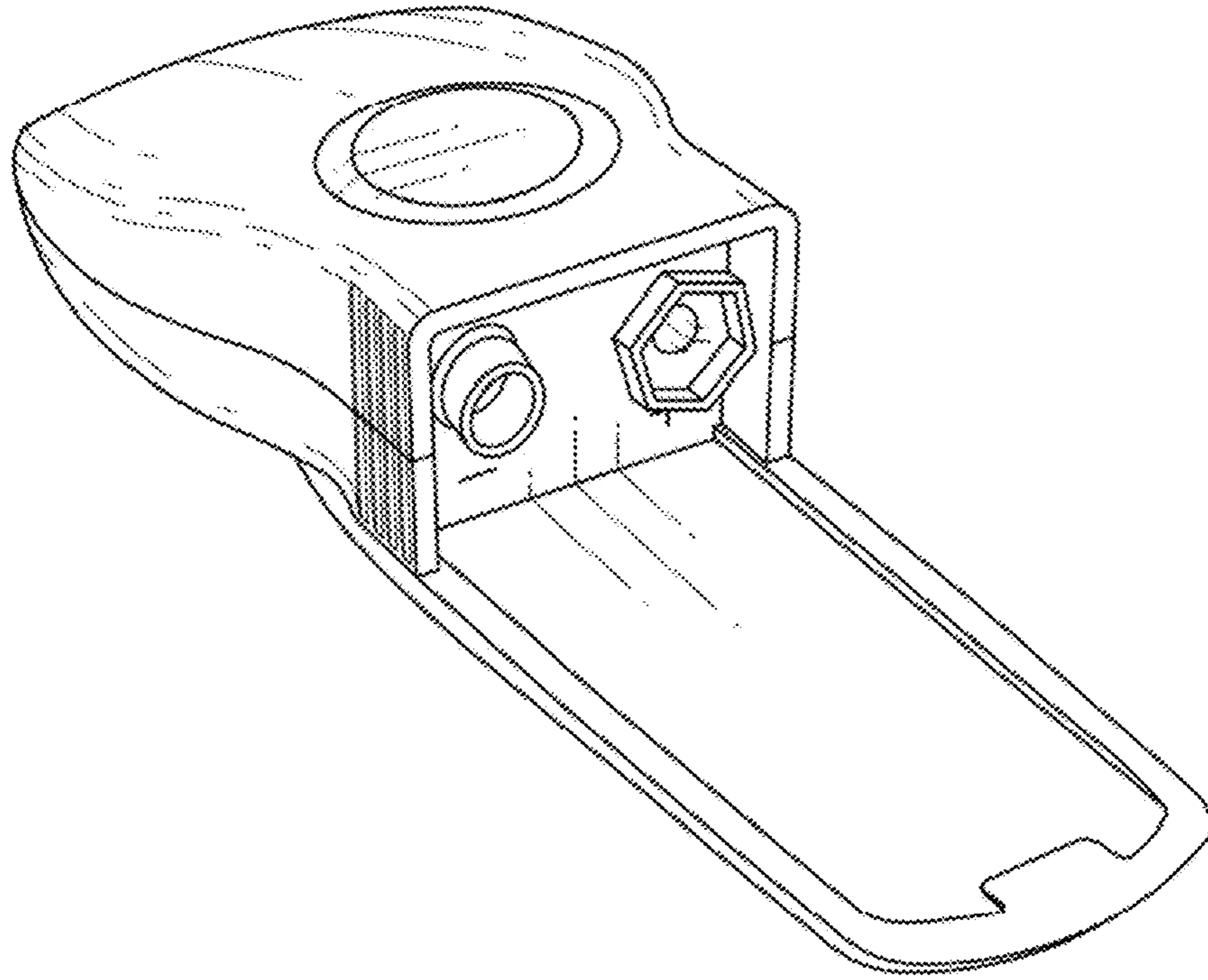


FIG. 7

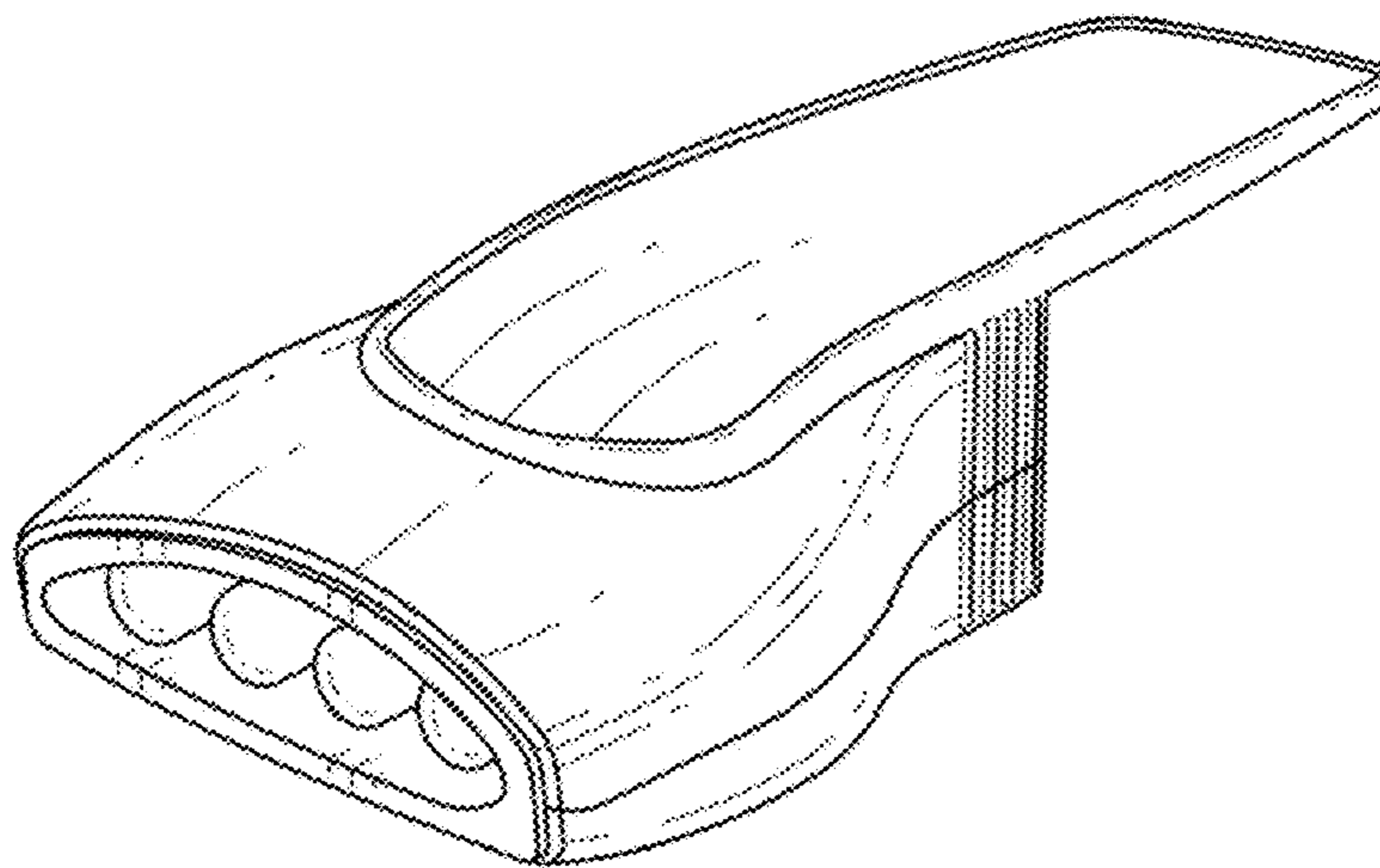


FIG. 8

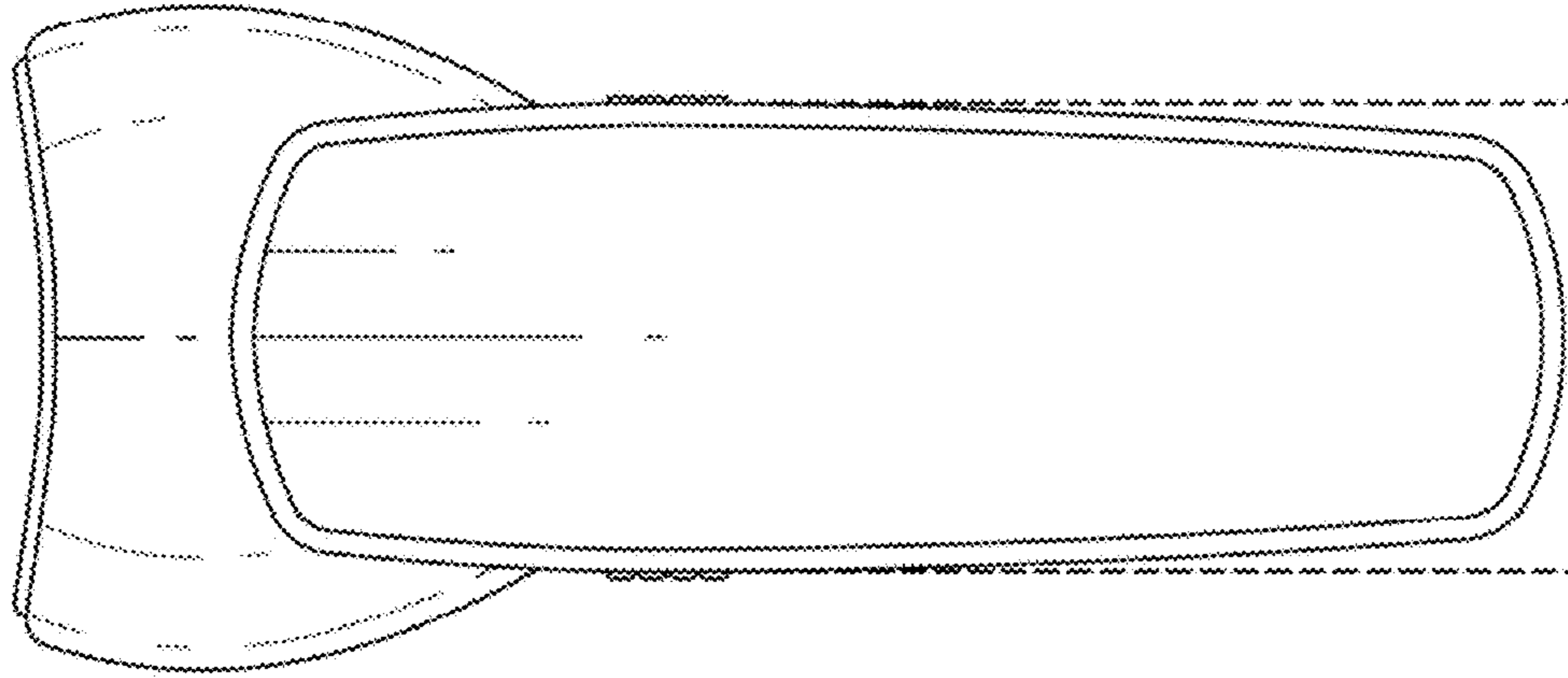


FIG. 9

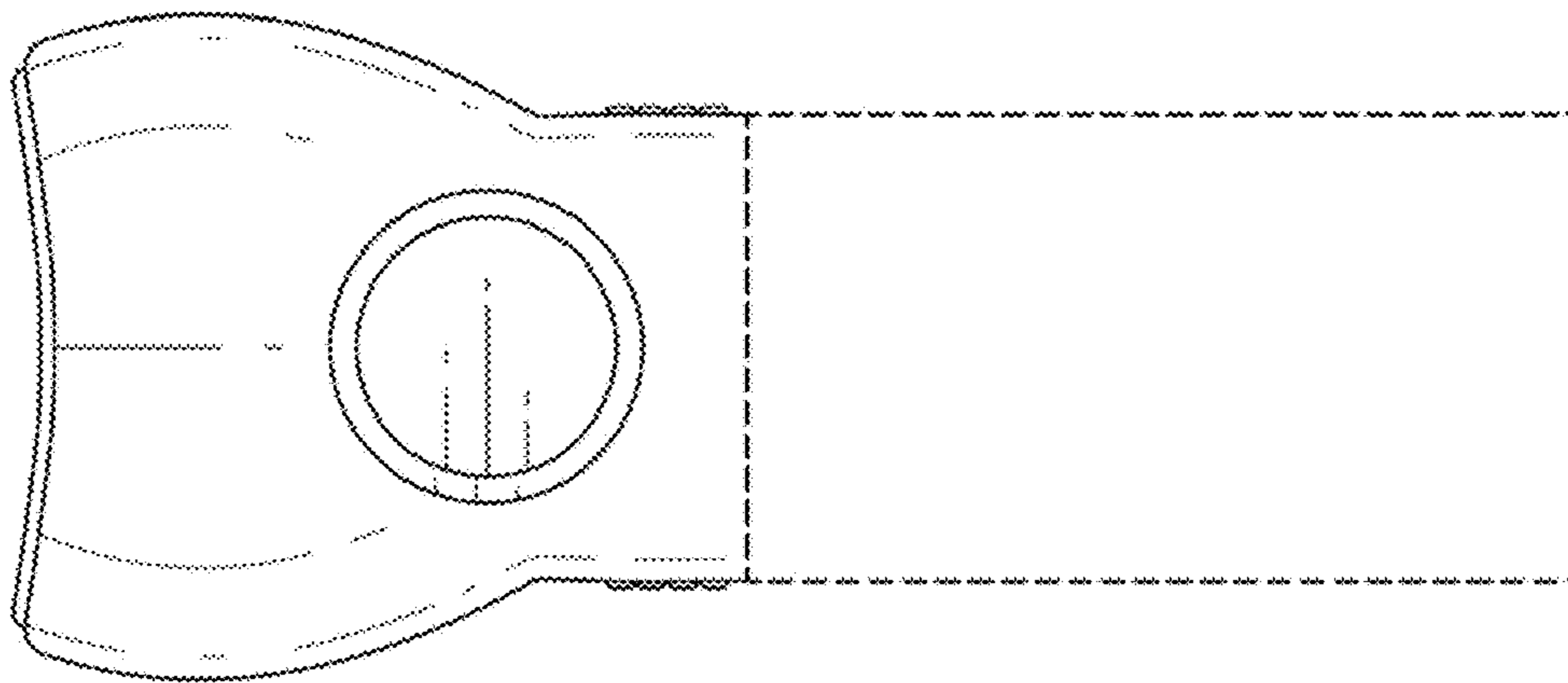


FIG. 10

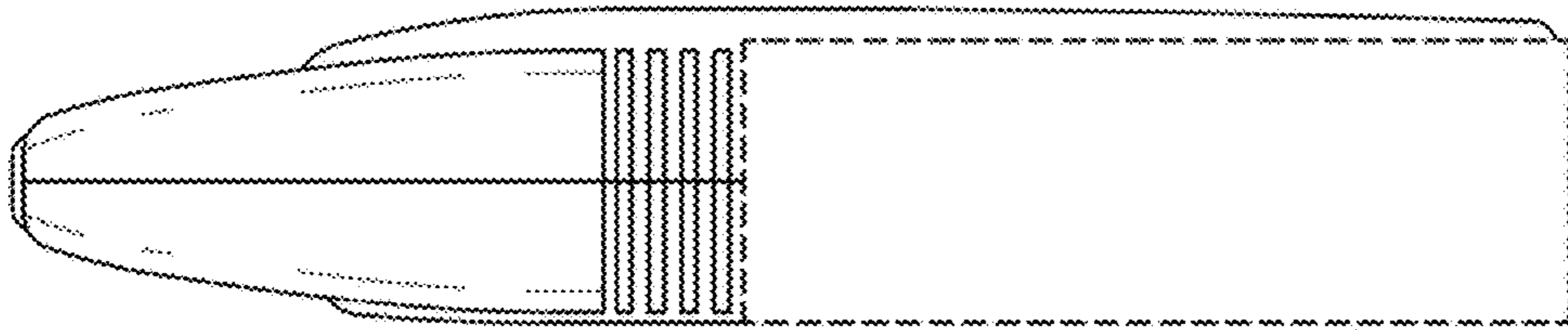


FIG. 11

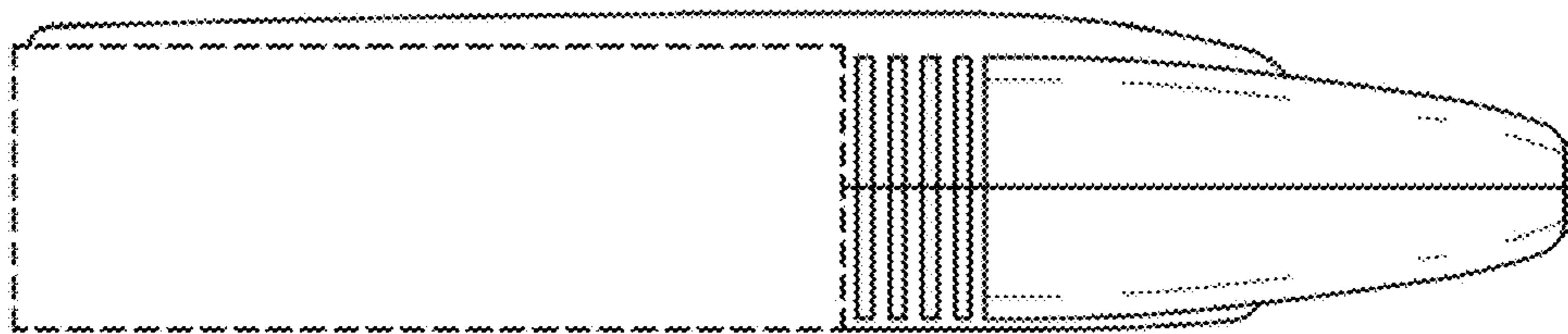


FIG. 12

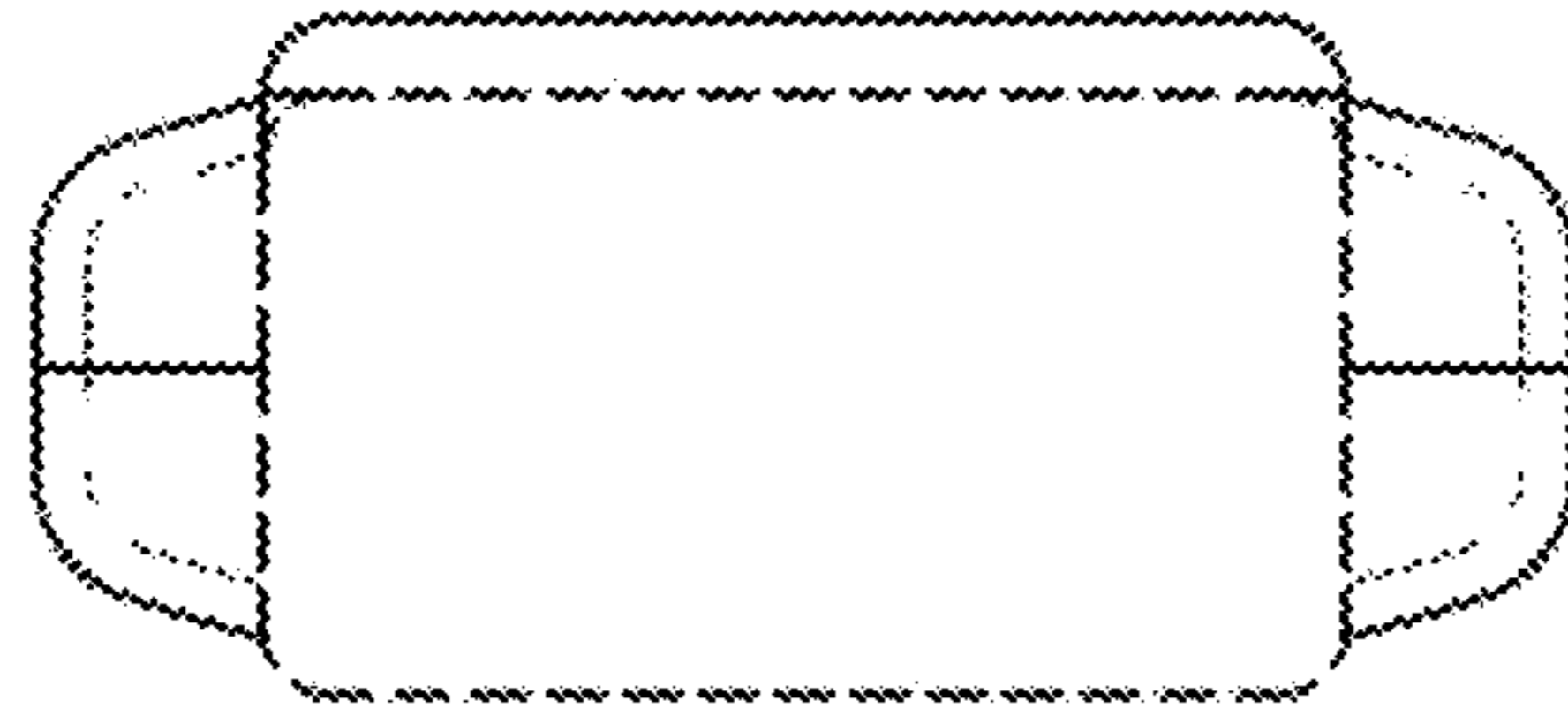


FIG. 13

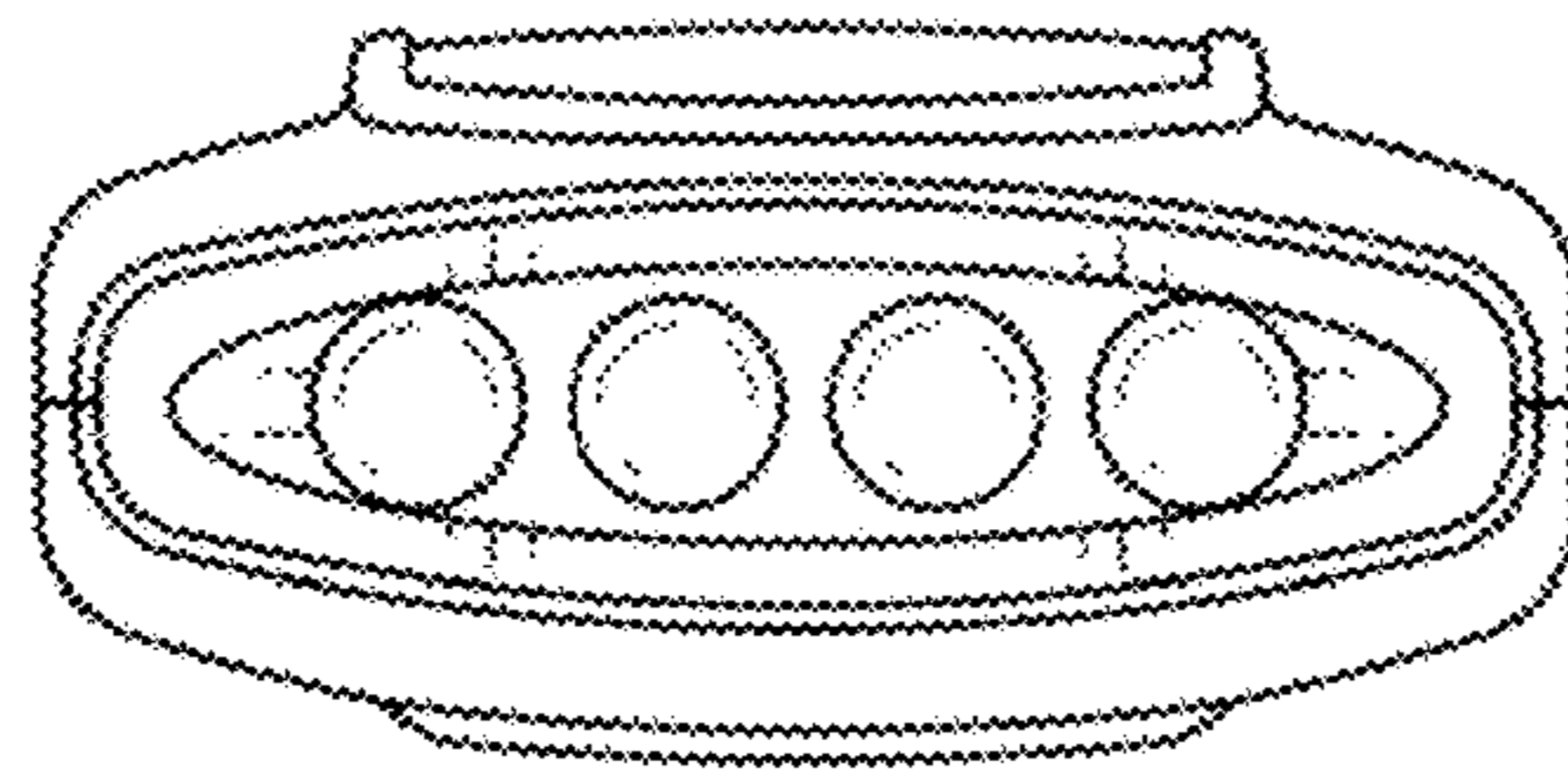


FIG. 14

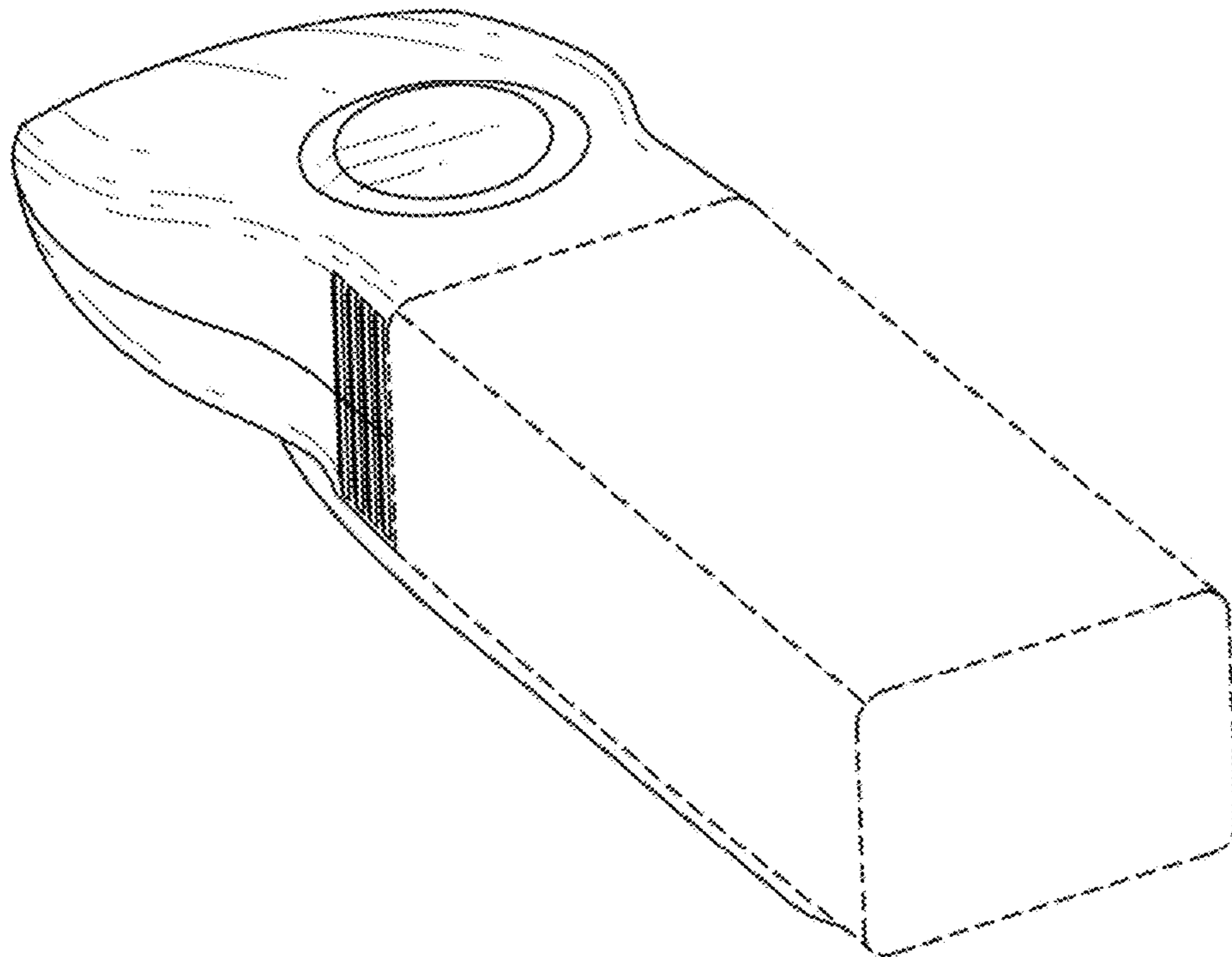


FIG. 15

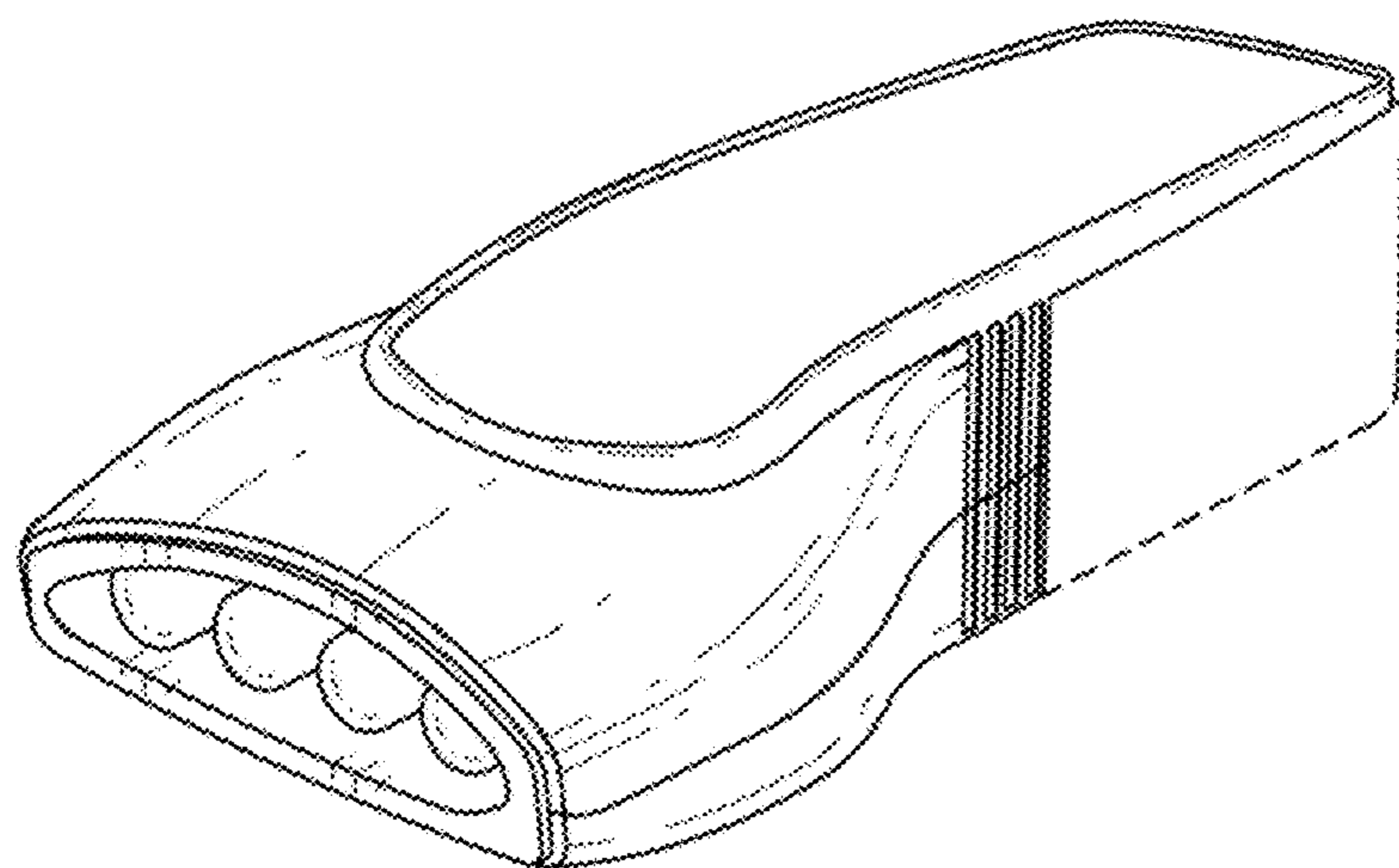


FIG. 16