



US00D824060S

(12) **United States Design Patent** (10) **Patent No.:** **US D824,060 S**
Kunzendorf (45) **Date of Patent:** **** Jul. 24, 2018**

- (54) **FLASHLIGHT**
- (71) Applicant: **LED Lenser Corp. Ltd., Yangjiang (CN)**
- (72) Inventor: **Andre Kunzendorf, Wuppertal (DE)**
- (73) Assignee: **Led Lenser Corp, Ltd., Yangjiang (CN)**
- (**) Term: **15 Years**
- (21) Appl. No.: **29/569,241**
- (22) Filed: **Jun. 24, 2016**
- (51) **LOC (11) Cl.** **26-02**
- (52) **U.S. Cl.**
USPC **D26/45**
- (58) **Field of Classification Search**
USPC 362/199, 296.07, 311.09, 197, 202, 285, 362/287, 296.08, 311.07, 311.08; D8/25, D8/56, 306, 29.1; D26/99, 37, 38, 41, D26/65, 43, 44, 45, 48, 49, 50, 51, 62, D26/63, 71, 89; D23/213; 239/195; 374/121, 133; D10/57, 78
CPC F21V 21/30; F21V 17/107; F21L 26/00; F21L 23/00; F21L 17/00; F21L 2005/00; F16C 7/00; F16C 11/00; F16C 2326/05
See application file for complete search history.

- (56) **References Cited**
U.S. PATENT DOCUMENTS
1,408,527 A * 3/1922 Lyhne F21L 4/00 362/190
1,570,393 A * 1/1926 Osean F21L 4/00 200/60
D73,192 S * 8/1927 Osean 362/197
1,820,960 A * 9/1931 Cunningham F21L 4/045 362/197
2,259,673 A * 10/1941 White F21V 19/02 362/197
D136,756 S * 11/1943 Barash D26/37

- D136,757 S * 11/1943 Barash D26/37
- D154,627 S * 7/1949 Peterlin et al. 324/506
- D201,908 S * 8/1965 Meyer D16/135
- D205,981 S * 10/1966 Pak-Sang D24/214
- D212,265 S * 9/1968 Capezzuto D19/160
- D233,908 S * 12/1974 Brindley D26/37
- D281,818 S * 12/1985 Zurwelle D26/37
- D330,942 S * 11/1992 Leung D26/37
- D348,505 S * 7/1994 Bosio D23/223
- D360,674 S * 7/1995 McClean D22/117
- 5,746,495 A * 5/1998 Klamm F21L 4/04 362/183
- D410,293 S * 5/1999 Prince D26/43
- 5,988,828 A * 11/1999 Prince F21L 4/04 362/191
- 6,161,938 A * 12/2000 Kish F21L 4/08 320/106
- D441,052 S * 4/2001 Lu D23/226

(Continued)

Primary Examiner — Lakiya G Rogers
Assistant Examiner — Altaira J Swangin
(74) *Attorney, Agent, or Firm* — Alston & Bird LLP

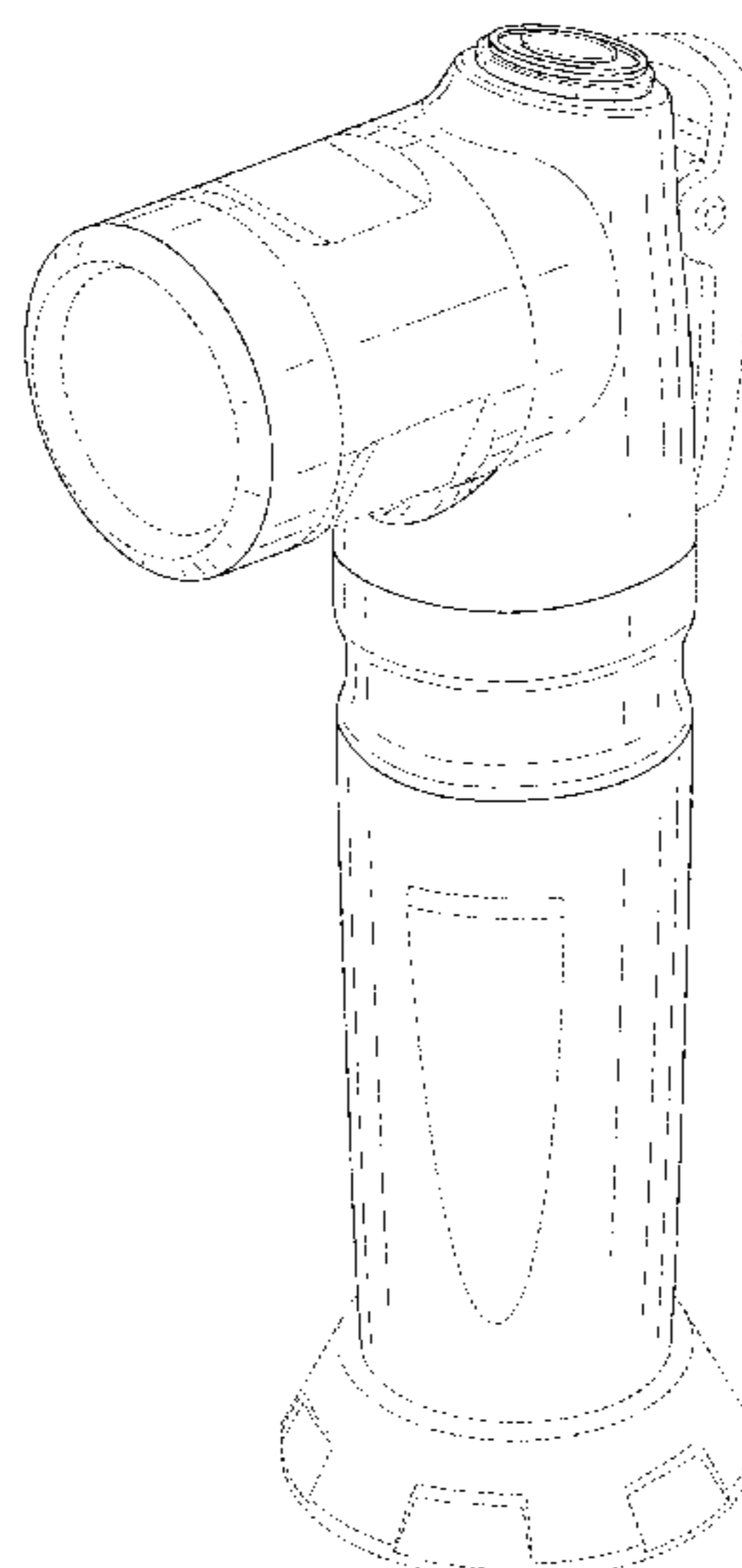
(57) **CLAIM**

The ornamental design for a flashlight, as shown and described.

DESCRIPTION

FIG. 1 is a perspective view of a flashlight according to my new design;
FIG. 2 is a front elevation view thereof;
FIG. 3 is a back elevation view thereof;
FIG. 4 is a right side elevation view thereof;
FIG. 5 is a left side elevation view thereof;
FIG. 6 is a top elevation view thereof; and,
FIG. 7 is a bottom plan view thereof.
The dash-dash broken lines showing in the views illustrate portions of the flashlight that form no part of the claimed design.

1 Claim, 6 Drawing Sheets



(56)

References Cited

U.S. PATENT DOCUMENTS

<p>6,913,370 B2 * 7/2005 Ping F21L 4/045 362/197 D512,791 S * 12/2005 Ping D26/43 D513,811 S * 1/2006 Lai D26/42 D524,907 S * 7/2006 Bosch D23/223 7,090,373 B2 * 8/2006 Lai F21L 4/025 362/190 7,229,189 B2 * 6/2007 Parker F21L 4/04 362/191 7,401,941 B2 * 7/2008 Teng F21L 4/027 362/184 D586,490 S * 2/2009 Kong D26/63 7,510,294 B2 * 3/2009 Steele F21L 4/025 362/110 D605,795 S * 12/2009 Baker D26/44 D608,922 S * 1/2010 Hillard D26/45 D620,161 S * 7/2010 Kang D26/45 D654,608 S * 2/2012 Ko F21L 4/00 D26/65 D681,858 S * 5/2013 Sharrah D26/45 8,764,217 B2 * 7/2014 Hao F21V 29/004 362/171 D712,080 S * 8/2014 Trude D26/37</p>	<p>D713,077 S * 9/2014 Hao D26/37 8,905,573 B2 * 12/2014 Sharrah F21L 4/005 362/191 D723,725 S * 3/2015 Asano D26/51 D742,047 S * 10/2015 Lee D26/37 D748,307 S * 1/2016 Matthews D26/37 D761,988 S * 7/2016 Asano D16/239 9,453,624 B2 * 9/2016 Sharrah F21V 29/004 9,488,331 B2 * 11/2016 Sharrah F21V 7/0091 D788,265 S * 5/2017 Ho D23/226 9,683,728 B2 * 6/2017 Ross F21V 21/0885 D805,602 S * 12/2017 Chang D23/226 D806,211 S * 12/2017 Bahler D23/223 2002/0158605 A1 * 10/2002 Sharrah F21L 4/08 320/115 2003/0227770 A1 * 12/2003 Chen F21V 33/0052 362/85 2010/0309656 A1 * 12/2010 O'Sullivan F21L 4/045 362/197 2012/0182723 A1 * 7/2012 Sharrah F21V 29/004 362/157 2016/0040834 A1 * 2/2016 Inskeep F21L 4/04 362/197 2016/0061359 A1 * 3/2016 Grech B60R 15/00 285/179</p>
---	--

* cited by examiner

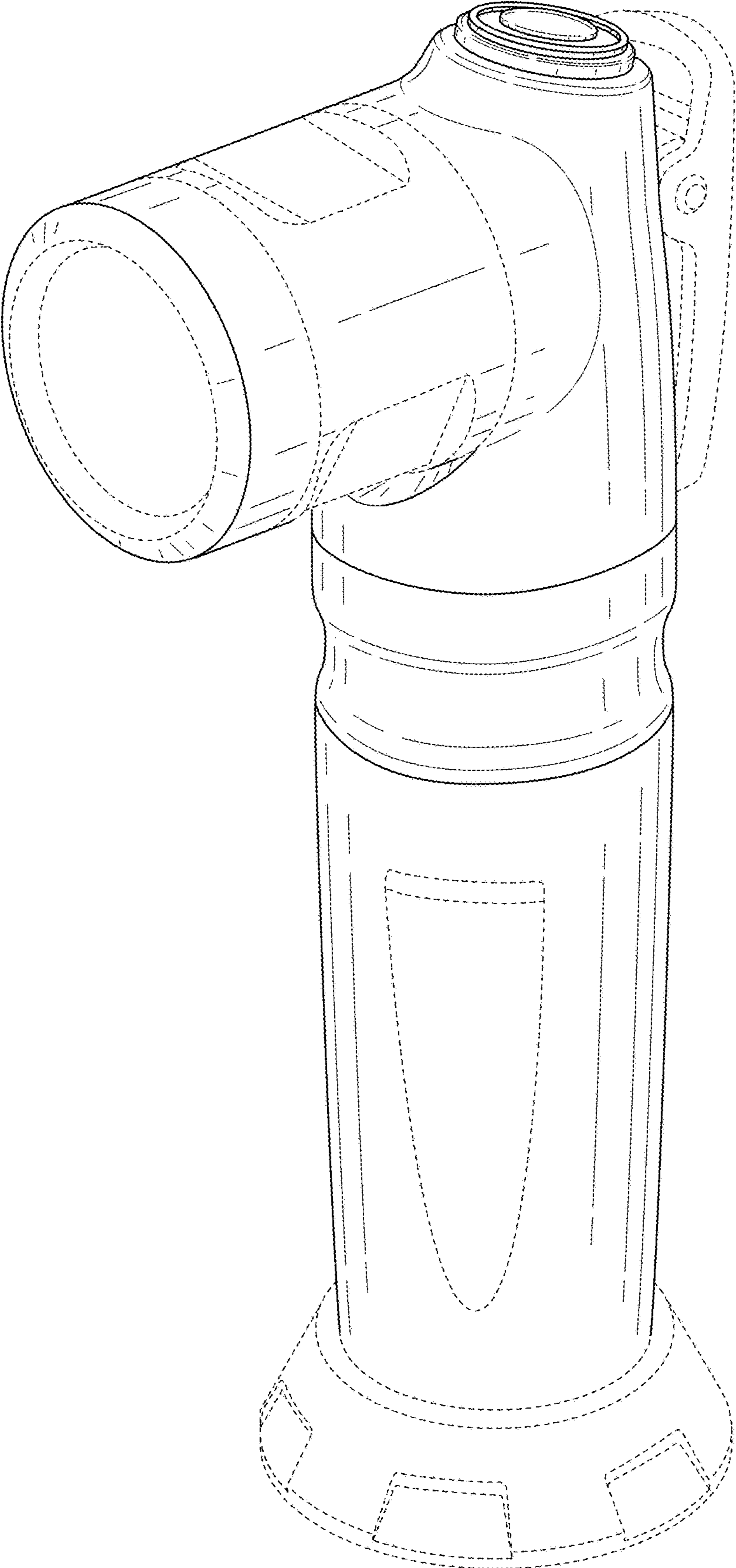


FIG. 1

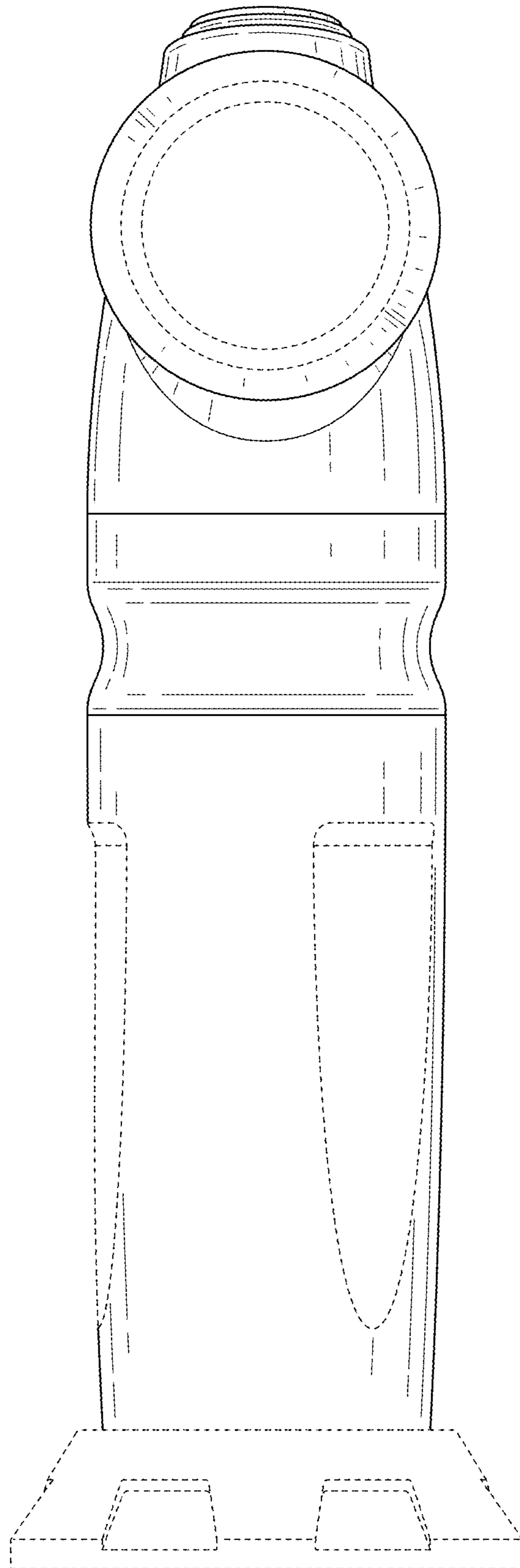


FIG. 2

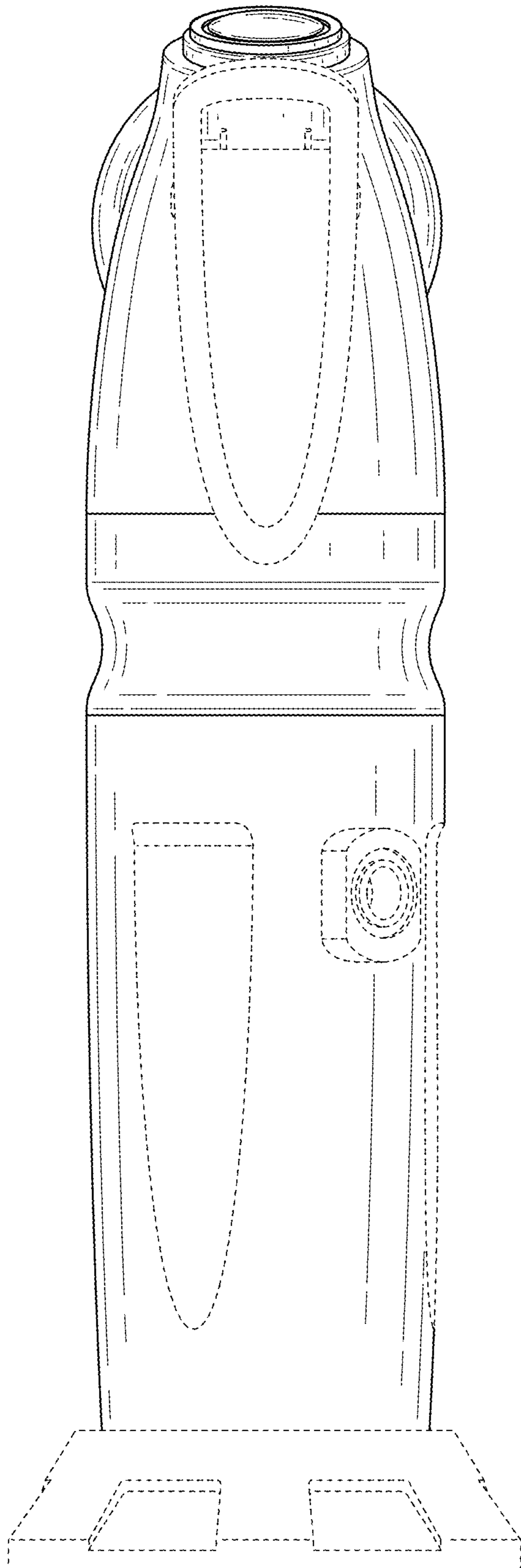


FIG. 3

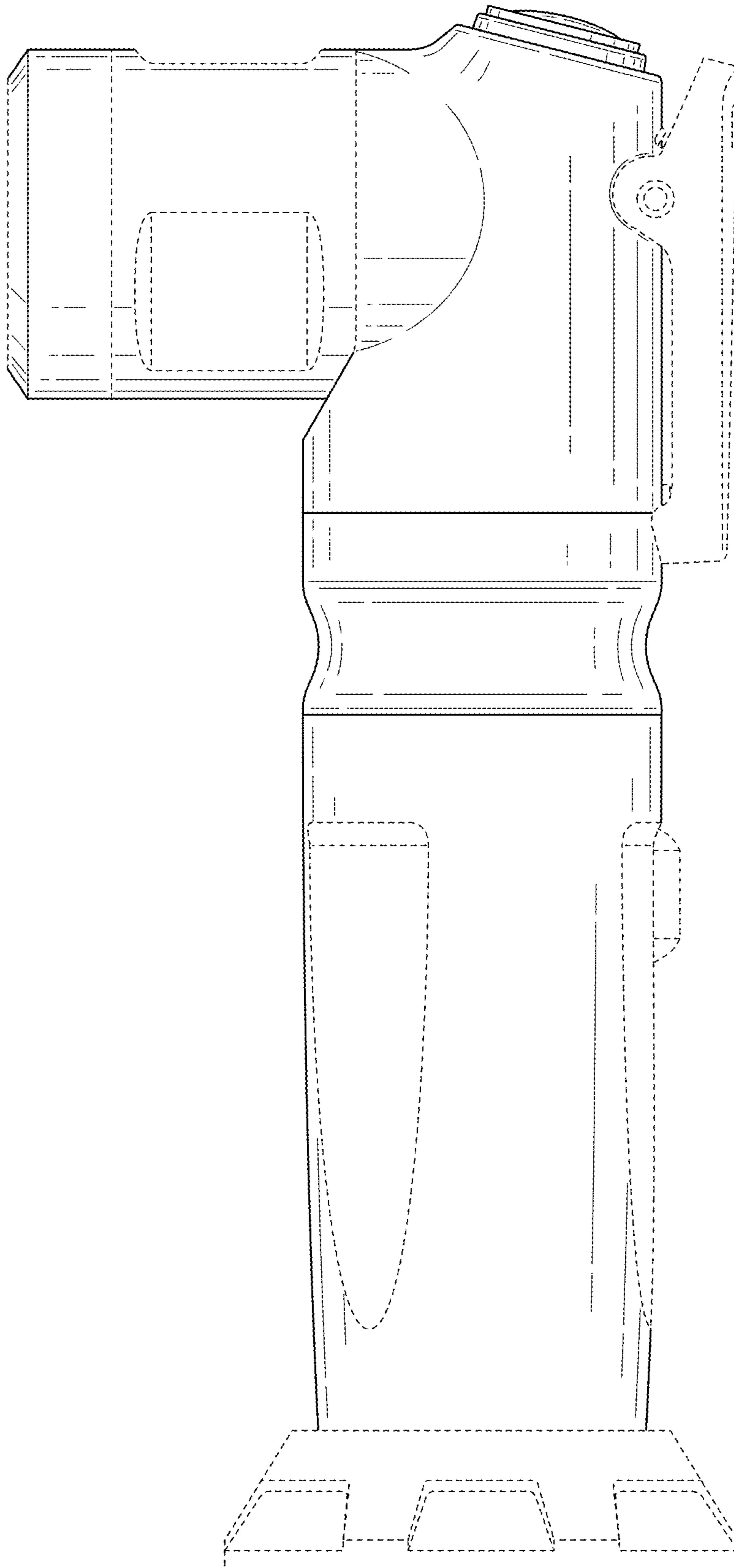


FIG. 4

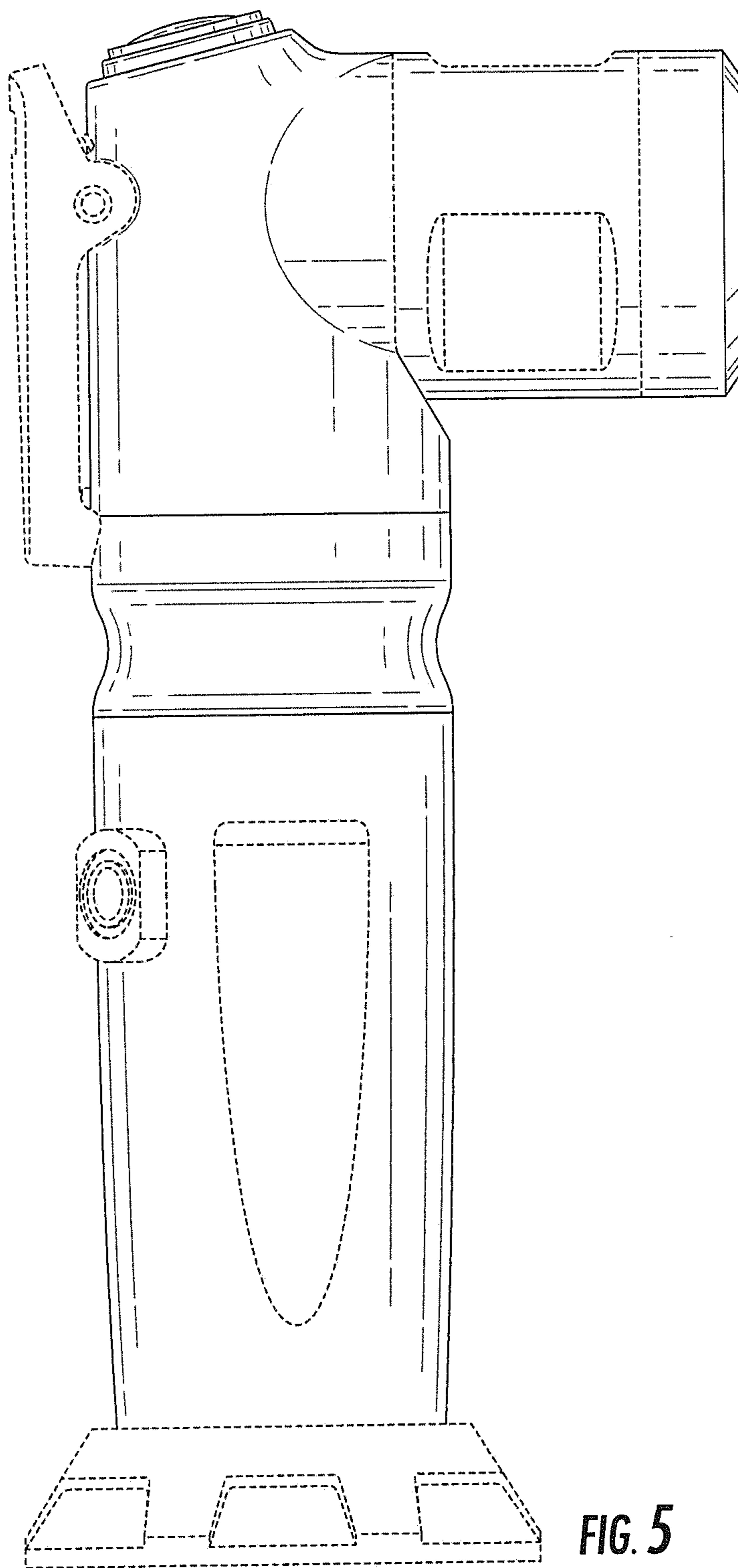


FIG. 5

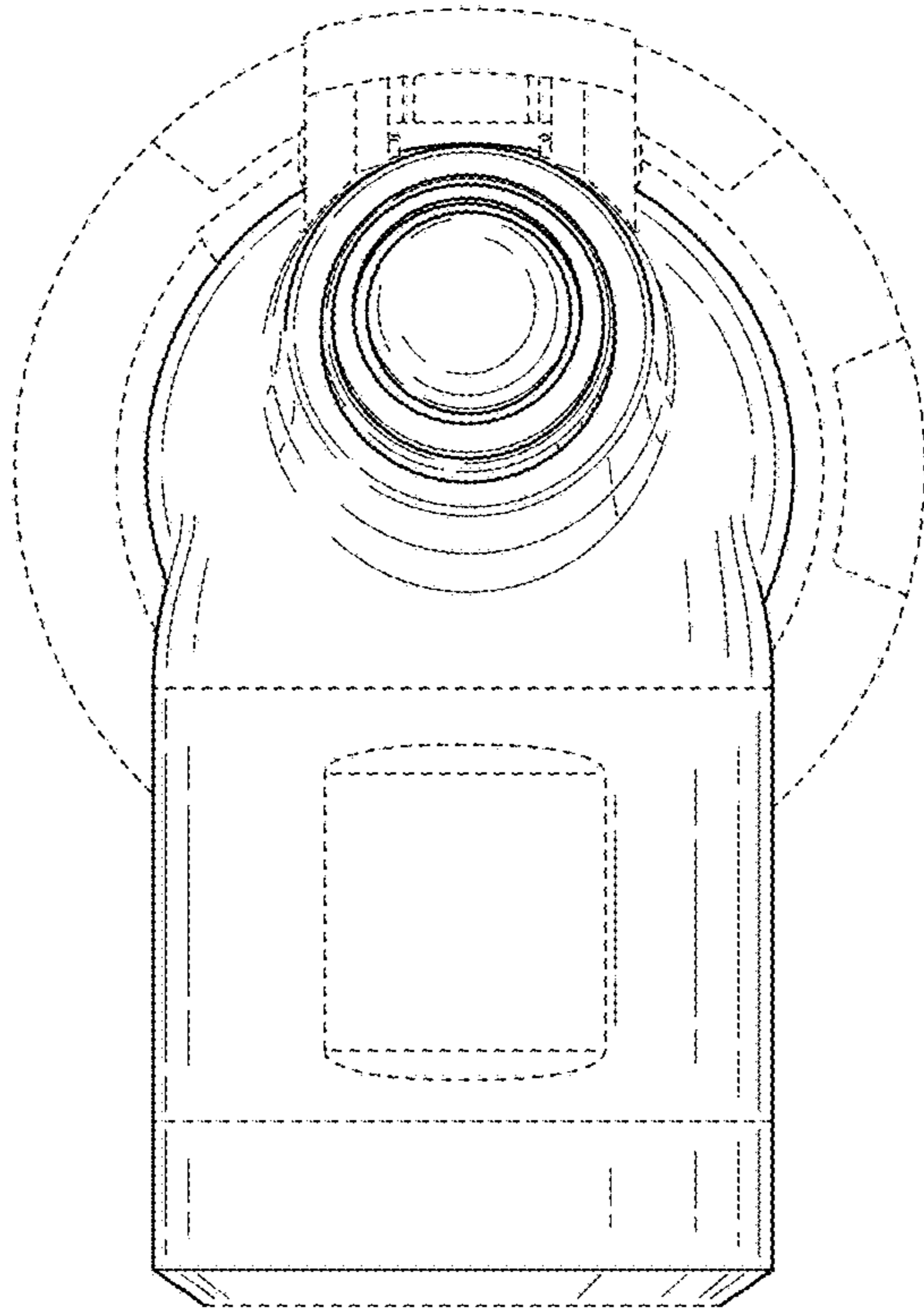


FIG. 6

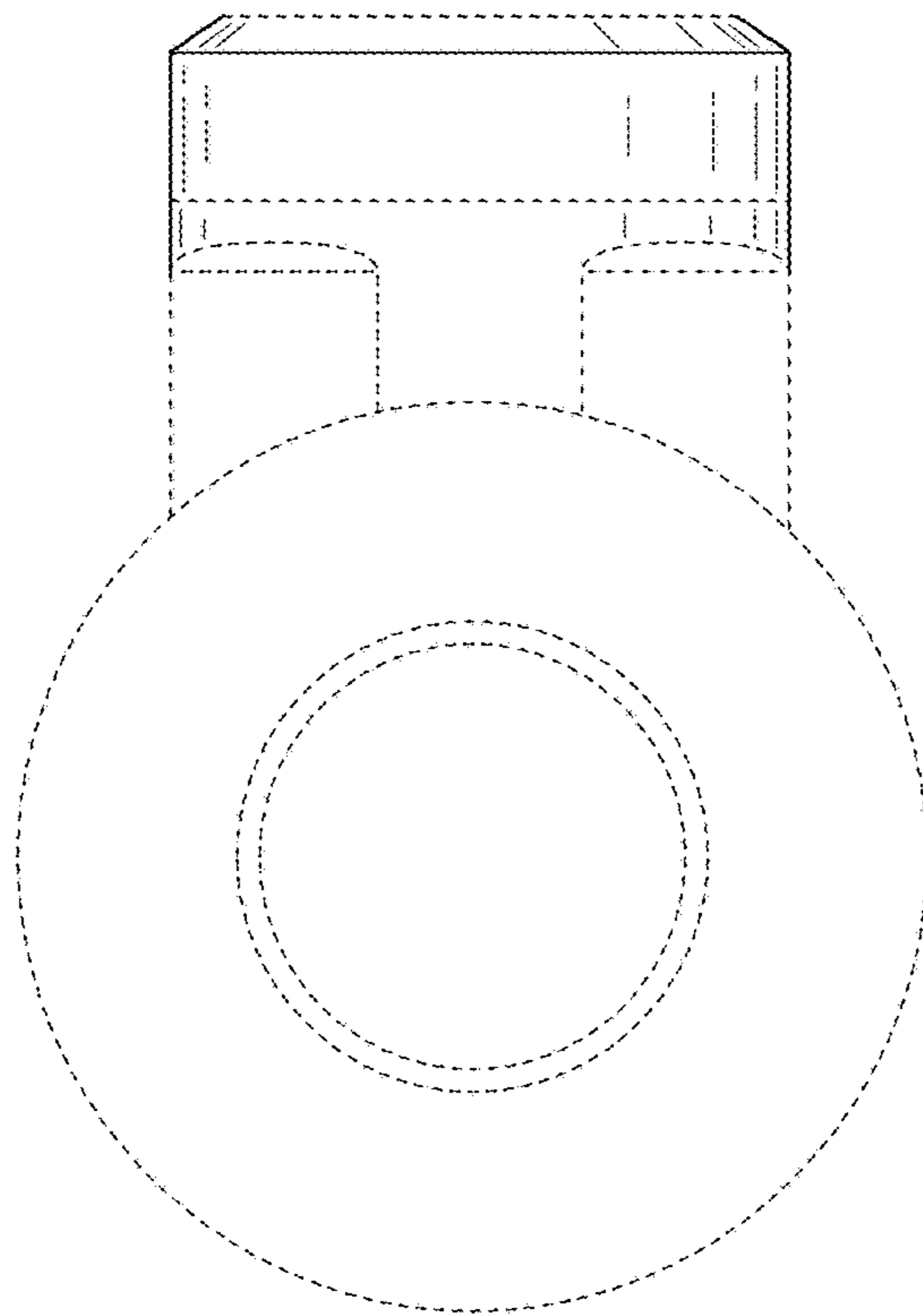


FIG. 7