

US00D824059S

(12) **United States Design Patent**
Inskeep

(10) **Patent No.:** **US D824,059 S**

(45) **Date of Patent:** **** Jul. 24, 2018**

(54) **HEADLAMP ASSEMBLY**

(71) Applicant: **Mathew Inskeep**, Highland Beach, FL
(US)

(72) Inventor: **Mathew Inskeep**, Highland Beach, FL
(US)

(**) Term: **15 Years**

(21) Appl. No.: **29/575,566**

(22) Filed: **Aug. 26, 2016**

(51) **LOC (11) Cl.** **26-02**

(52) **U.S. Cl.**
USPC **D26/39**

(58) **Field of Classification Search**
USPC D26/37, 38, 39, 42, 46, 51
CPC F21L 2003/00; F21L 4/00; F21L 4/005;
F21L 4/02; F21L 4/025; F21L 4/027;
F21L 4/04; F21L 4/08; F21L 2005/00;
F21L 7/00; F21L 11/00; F21L 13/00;
F21L 13/04; F21L 13/08; F21L 14/02;
F21L 17/00; F21L 19/00

See application file for complete search history.

(56) **References Cited**

U.S. PATENT DOCUMENTS

D320,667 S *	10/1991	Smith	D26/39
D362,920 S *	10/1995	Schwartz	D26/39
D533,954 S *	12/2006	Opolka	D26/39
D556,078 S *	11/2007	Schrimmer	D11/3
D560,836 S *	1/2008	Garrity	D26/39
D571,942 S *	6/2008	Christianson	D26/39
D583,971 S *	12/2008	Castellucci	D26/39
D614,786 S *	4/2010	Lee	D26/39
D623,309 S *	9/2010	Turtzo	D24/210
D625,863 S *	10/2010	Kingston	D26/39
D662,239 S *	6/2012	Szymanski	D26/39
D675,356 S *	1/2013	Case	D26/39

D679,434 S *	4/2013	Conroy	D26/39
D685,938 S *	7/2013	Baker	D26/39
D699,380 S *	2/2014	Weaver	D26/39
D699,875 S *	2/2014	Christianson	D26/39
D703,850 S *	4/2014	Alvarado	D26/39
D708,793 S *	7/2014	Silverlieb	D26/38
D713,575 S *	9/2014	Ferguson	D26/39
D742,049 S *	10/2015	Baker	D26/39
D752,791 S *	3/2016	Ferguson	D26/39
2007/0016271 A1 *	1/2007	Hammond	A61F 7/007 607/96
2007/0106350 A1 *	5/2007	Carstens	A41D 13/005 607/108

* cited by examiner

Primary Examiner — Lakiya G Rogers

Assistant Examiner — Carissa C Fitts

(57) **CLAIM**

I claim the ornamental design for a headlamp assembly, as shown and described.

DESCRIPTION

FIG. 1 is a top perspective view of the headlamp assembly showing my new design.

FIG. 2 is a bottom perspective view thereof.

FIG. 3 is a top perspective view thereof with the light removed.

FIG. 4 is a bottom perspective view thereof with the light removed.

FIG. 5 is a front view thereof.

FIG. 6 is a back view thereof.

FIG. 7 is a right side view thereof.

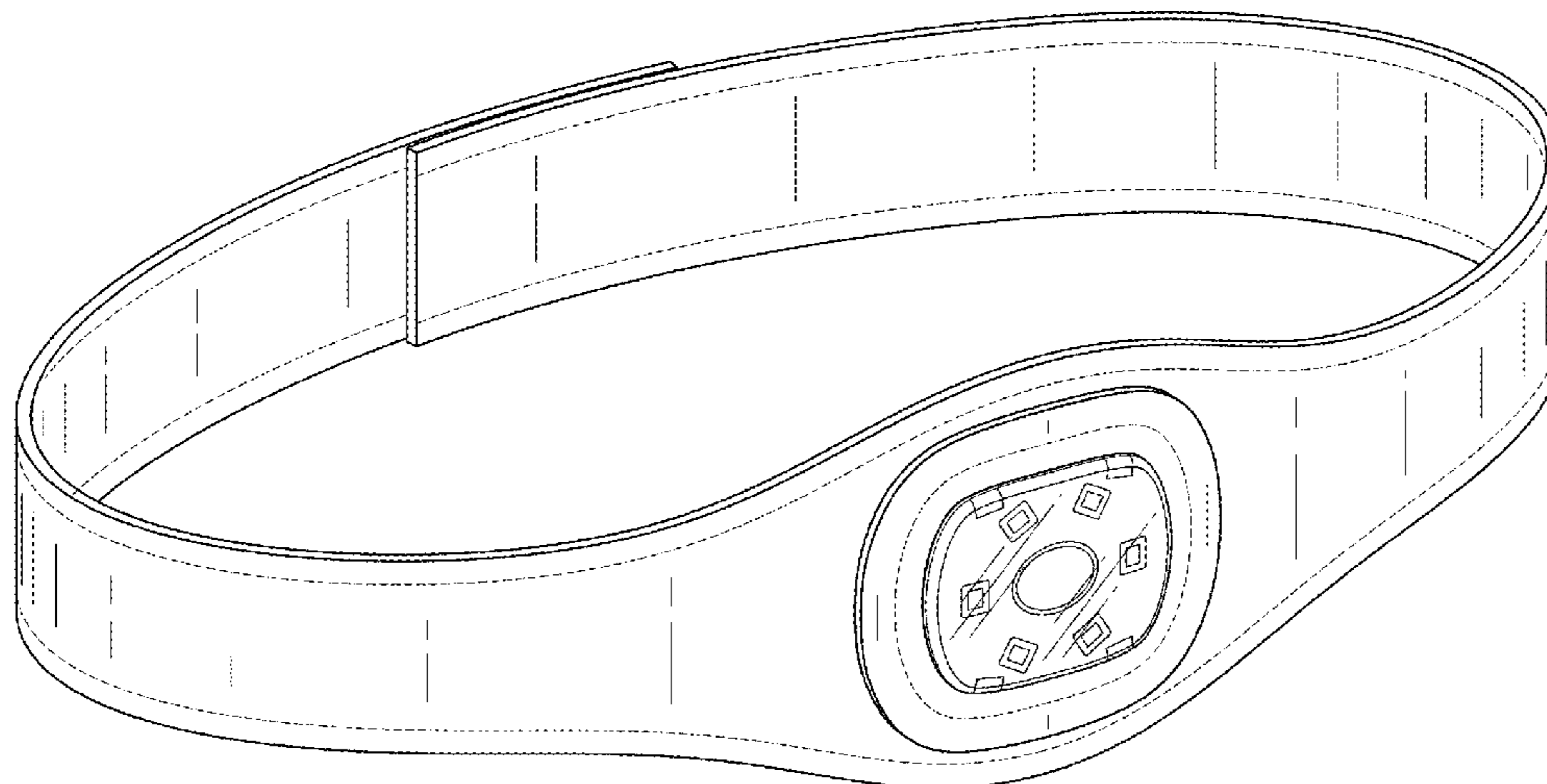
FIG. 8 is a left side view thereof.

FIG. 9 is a top view thereof with the light removed; and,

FIG. 10 is a bottom view thereof.

The broken lines on the headlamp assembly represent stitching and do form part of the claimed design.

1 Claim, 8 Drawing Sheets



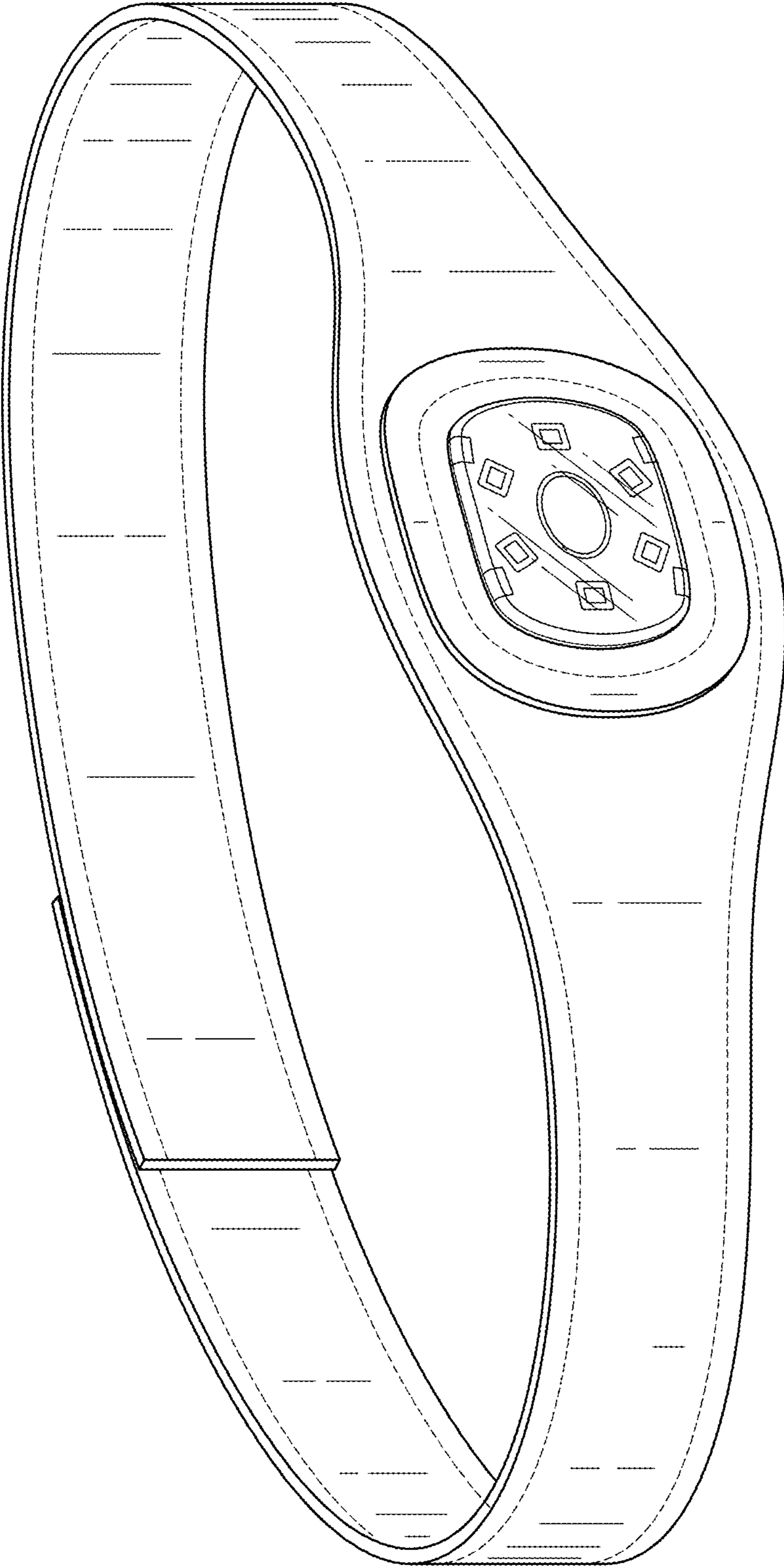


FIG. 1

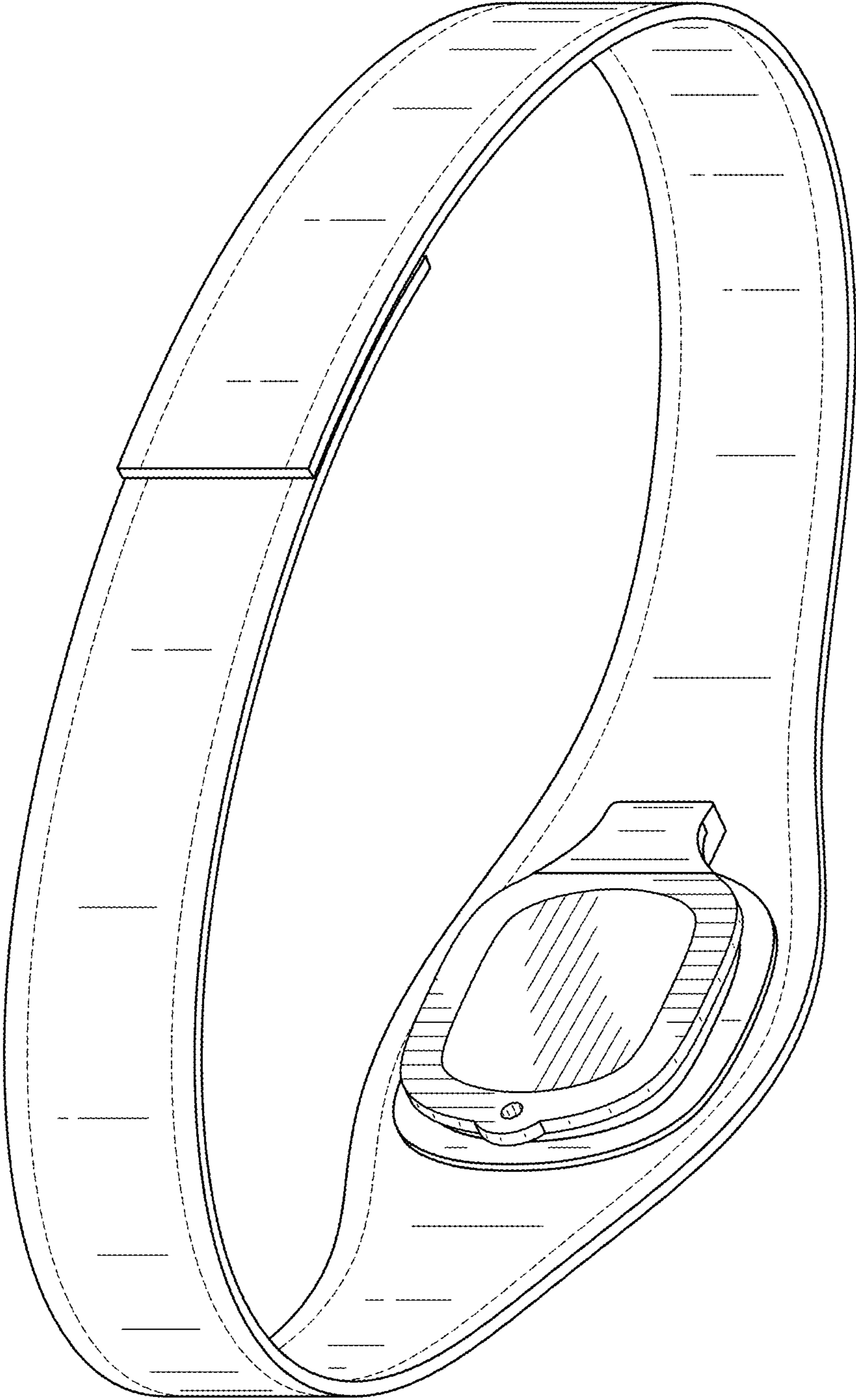


FIG. 2

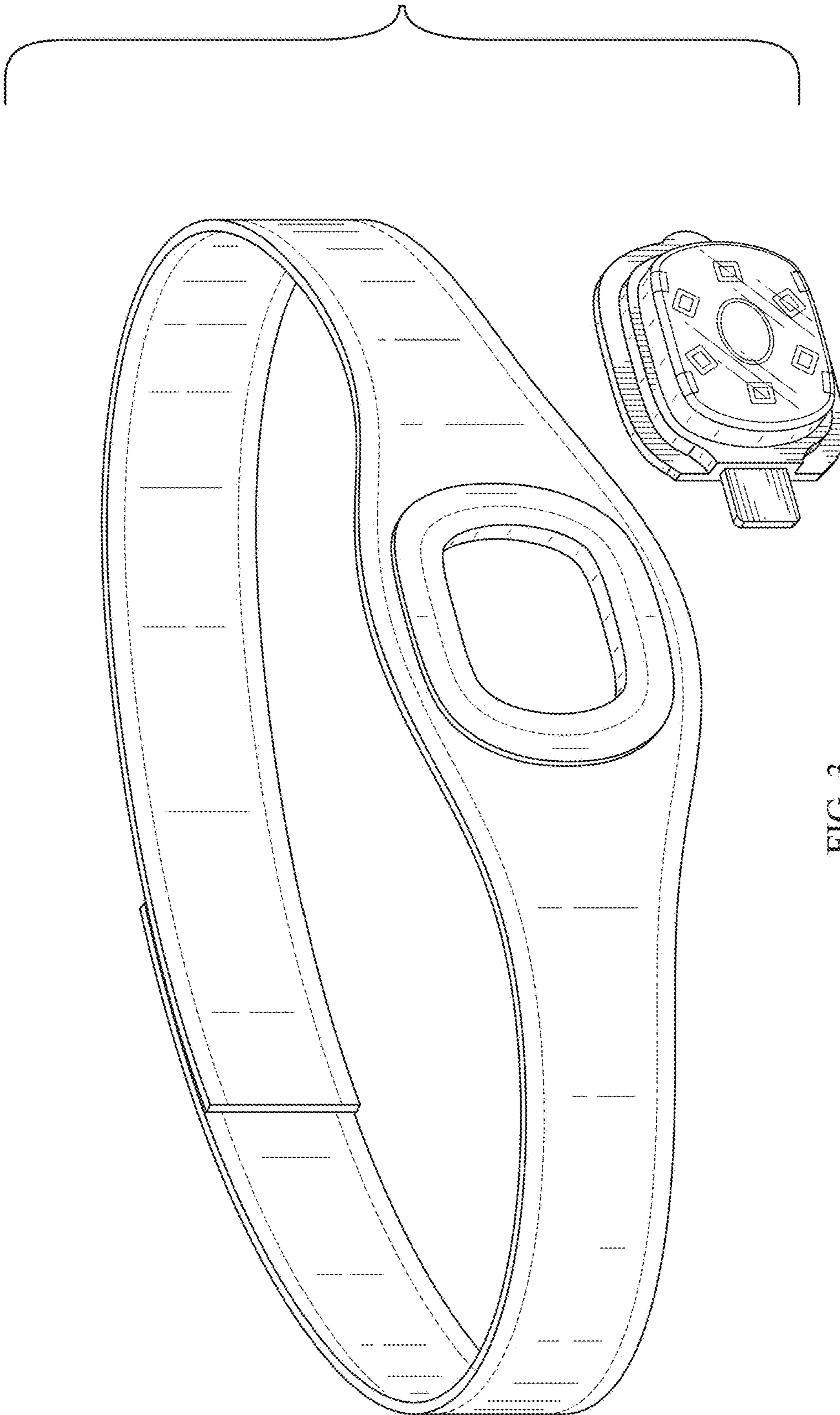


FIG. 3

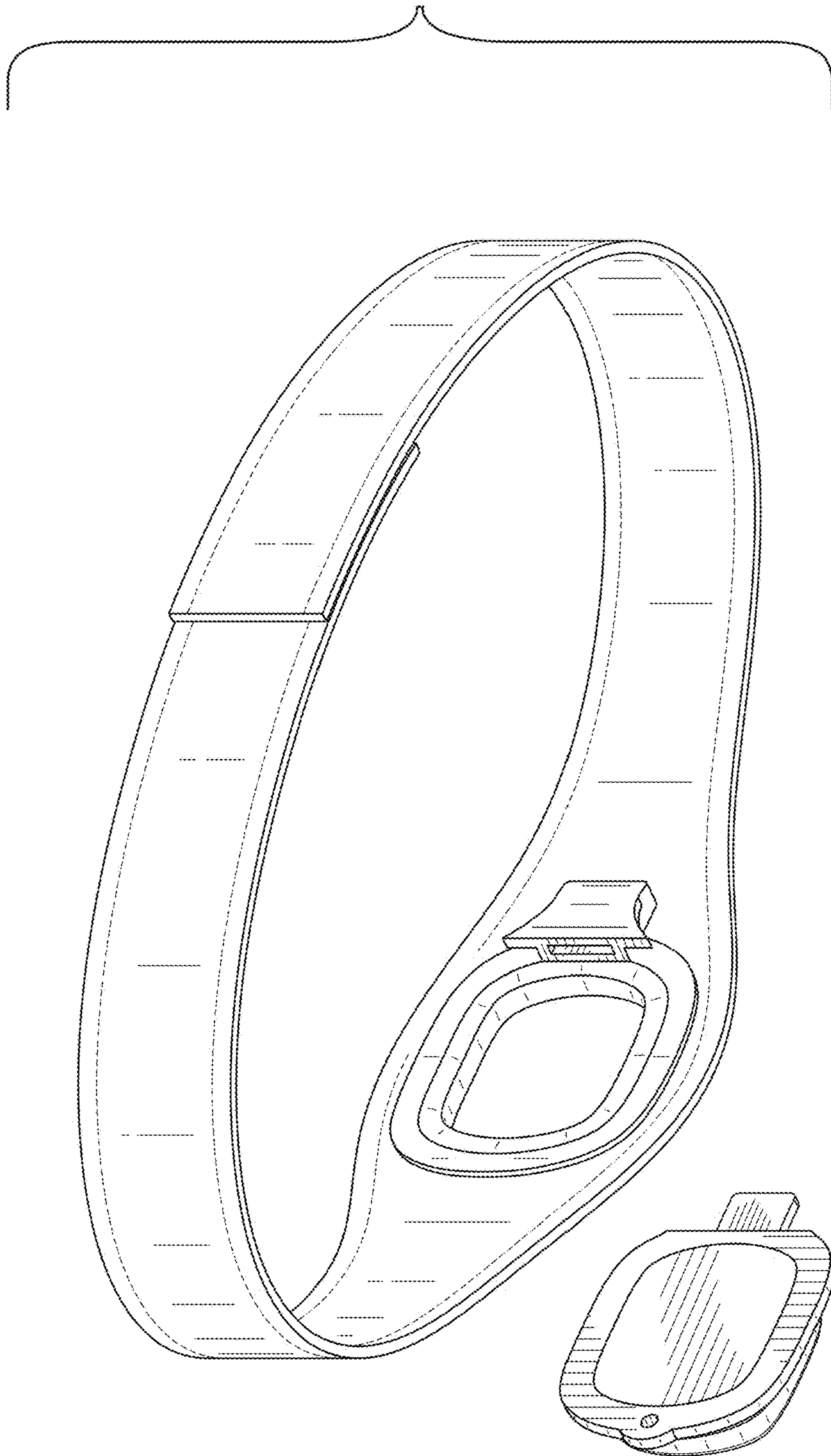


FIG. 4

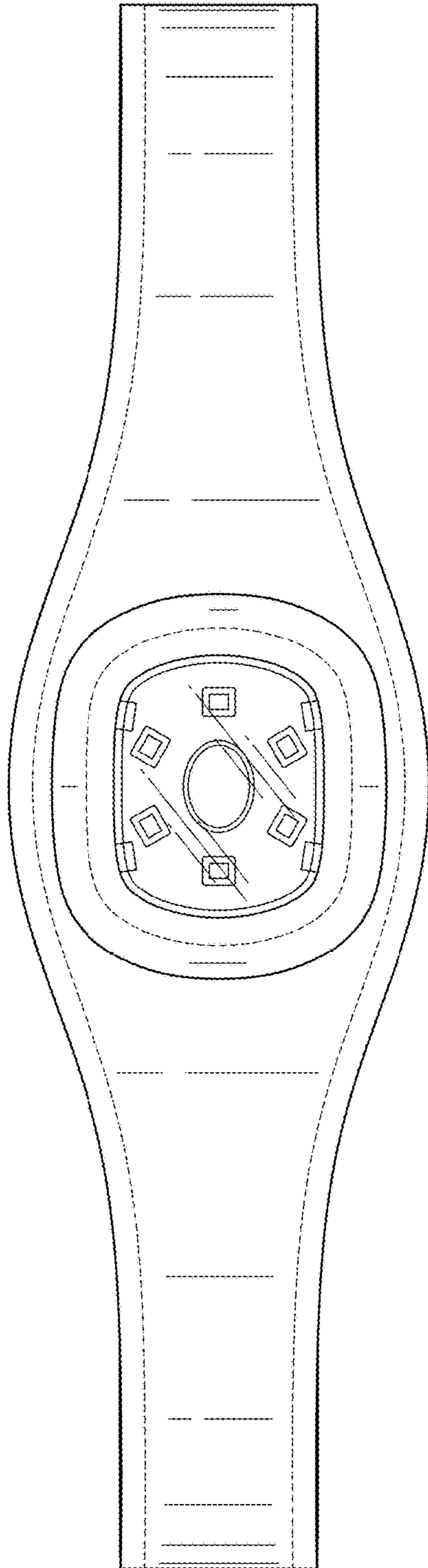


FIG. 5

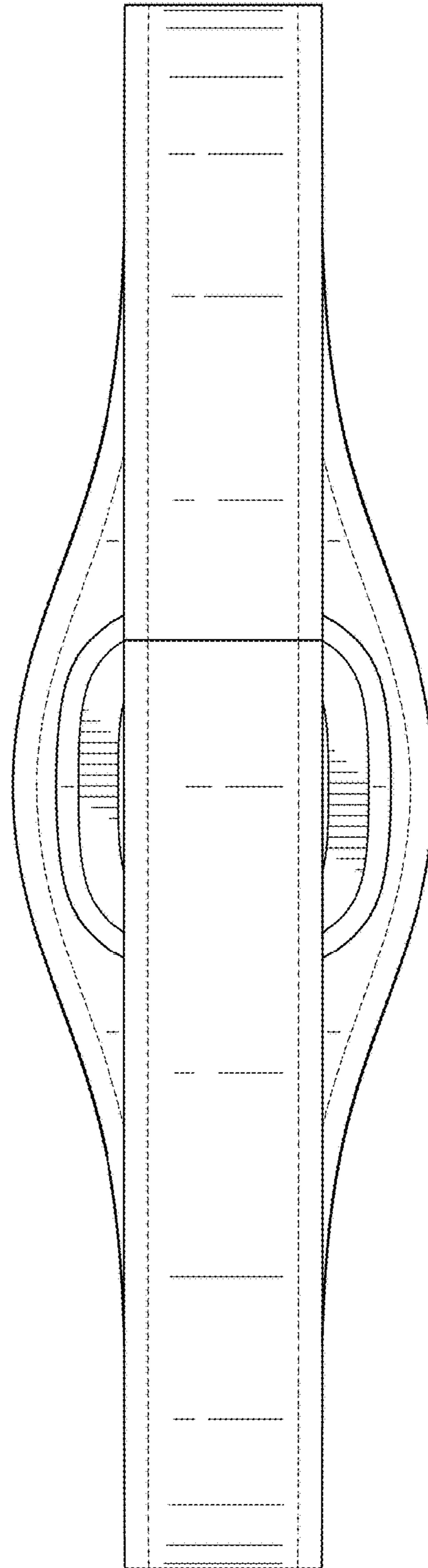


FIG. 6

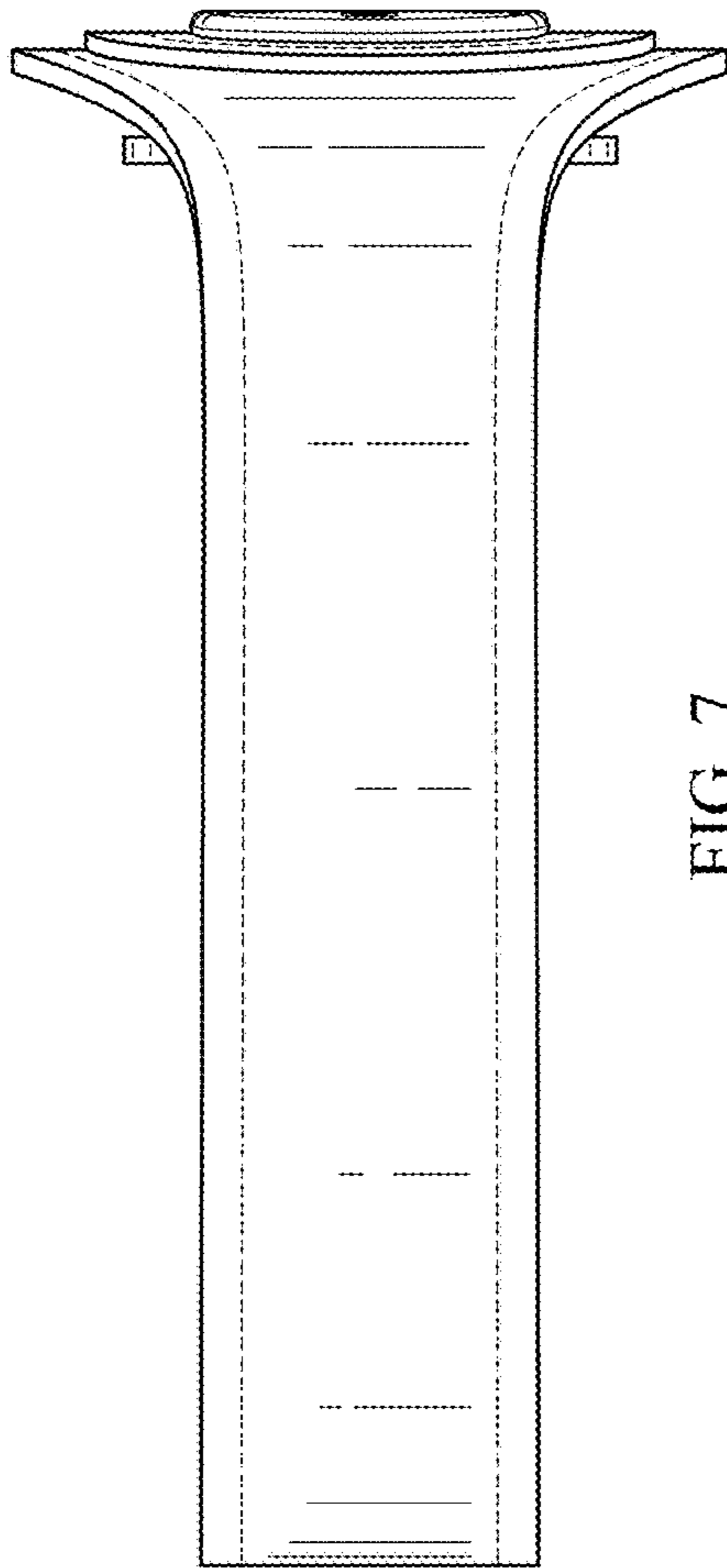


FIG. 7

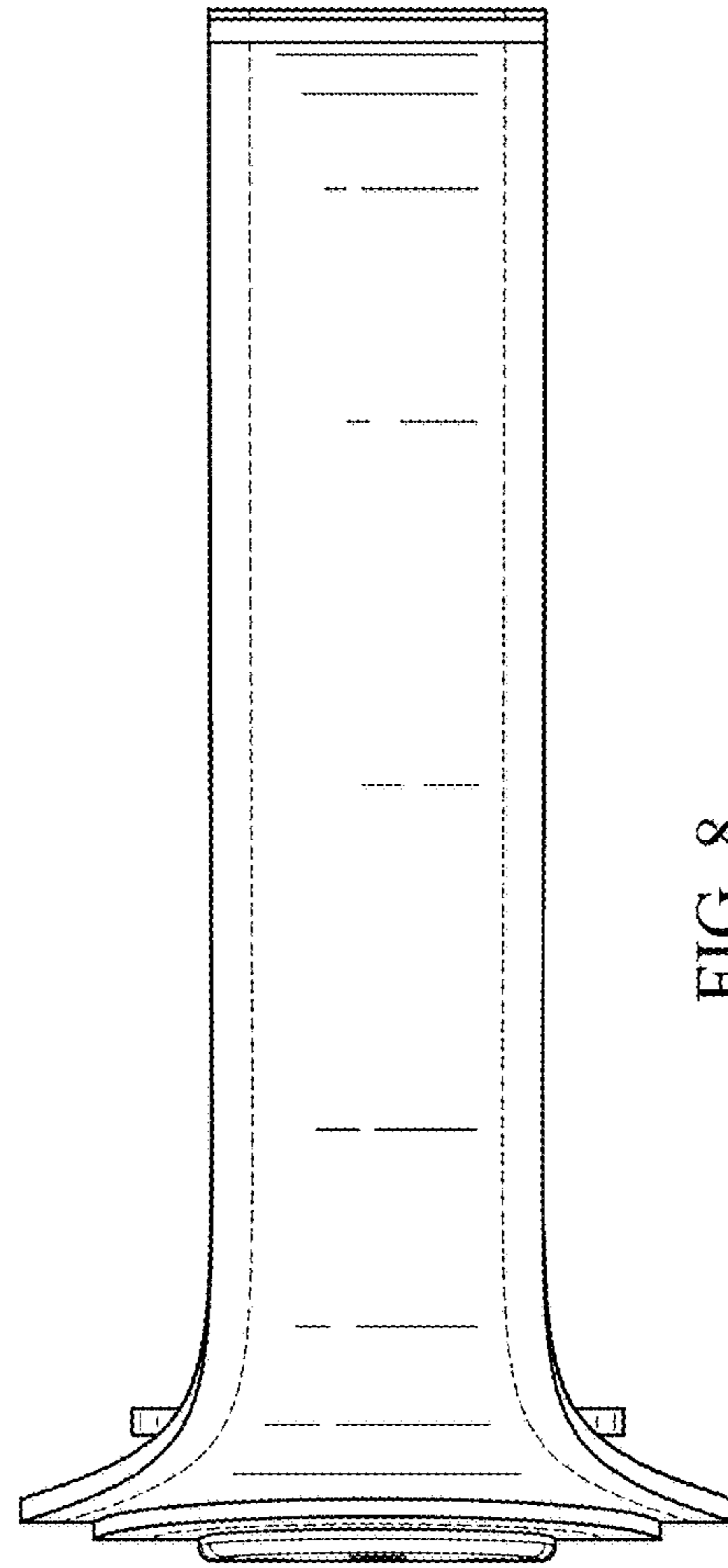


FIG. 8

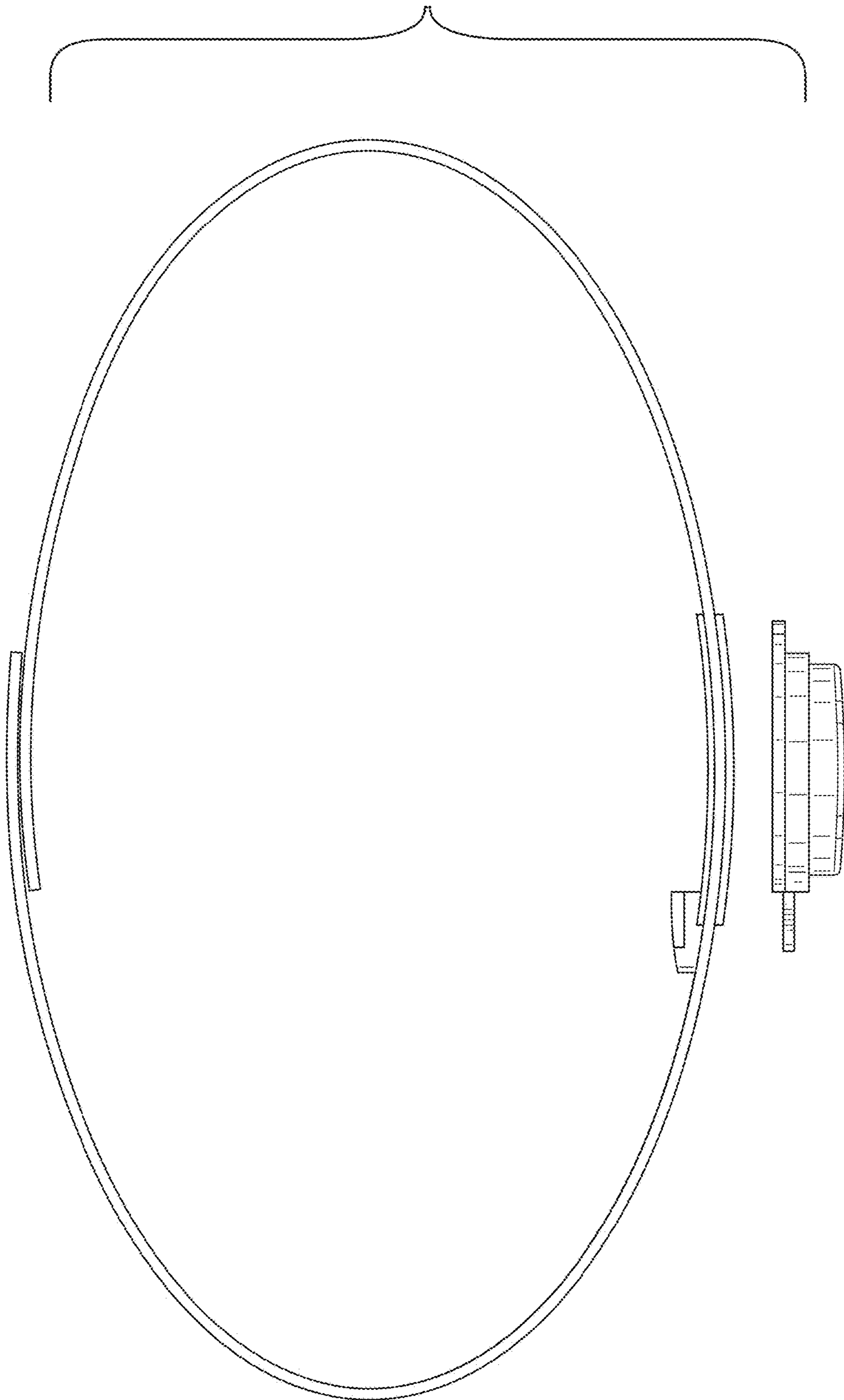


FIG. 9

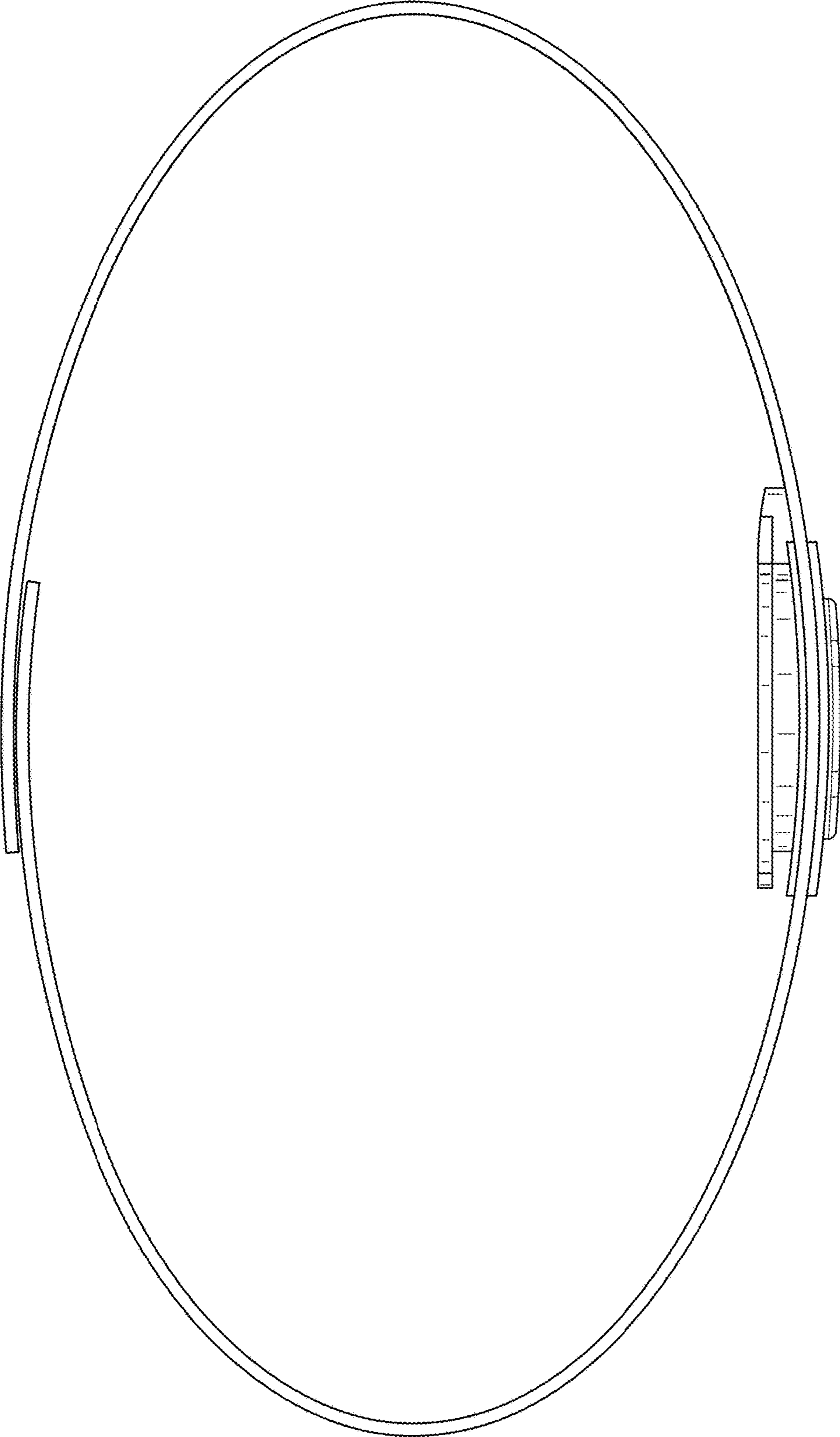


FIG. 10