



US00D824058S

(12) **United States Design Patent**
Hong et al.

(10) **Patent No.:** **US D824,058 S**
(45) **Date of Patent:** **** Jul. 24, 2018**

(54) **HEAD LAMP FOR AN AUTOMOBILE**

F21S 48/2266; F21V 21/04; B60Q 1/30;
B60Q 1/2607; B60Q 1/2696; B62J 6/00;
B62J 6/04

(71) Applicant: **HYUNDAI MOTOR COMPANY**,
Seoul (KR)

See application file for complete search history.

(72) Inventors: **Wan Hee Hong**, Hwaseong-si (KR);
Byeong Ho Jeong, Hwaseong-si (KR);
Jae Hyun Lee, Hwaseong-si (KR)

(56) **References Cited**

U.S. PATENT DOCUMENTS

(73) Assignee: **Hyundai Motor Company**, Seoul (KR)

(**) Term: **15 Years**

(21) Appl. No.: **35/502,903**

(22) Filed: **Oct. 27, 2016**

D806,919 S *	1/2018	Hatton	D26/28
D808,048 S *	1/2018	Hannemann	D26/28
D809,167 S *	1/2018	Chi	D26/28
D810,974 S *	2/2018	Sato	D26/28
D812,270 S *	3/2018	Minamiyama	D26/28
D812,271 S *	3/2018	Katagiri	D26/28
D812,273 S *	3/2018	Wu	D26/28
D812,274 S *	3/2018	Wu	D26/28
D812,275 S *	3/2018	Wu	D26/28

* cited by examiner

(80) **Hague Agreement Data**

Int. Filing Date: **Oct. 27, 2016**
Int. Reg. No.: **DM/093358**
Int. Reg. Date: **Oct. 27, 2016**
Int. Reg. Pub. Date: **Apr. 28, 2017**

Primary Examiner — Zenia I Bennett

(74) *Attorney, Agent, or Firm* — Mintz Levin Cohn Ferris
Glovsky and Popeo, P.C.; Kongsik Kim

(57) **CLAIM**

The ornamental design for a head lamp for an automobile,
as shown and described.

(30) **Foreign Application Priority Data**

May 26, 2016 (KR) 30-2016-0025492

(51) **LOC (11) Cl.** **26-06**

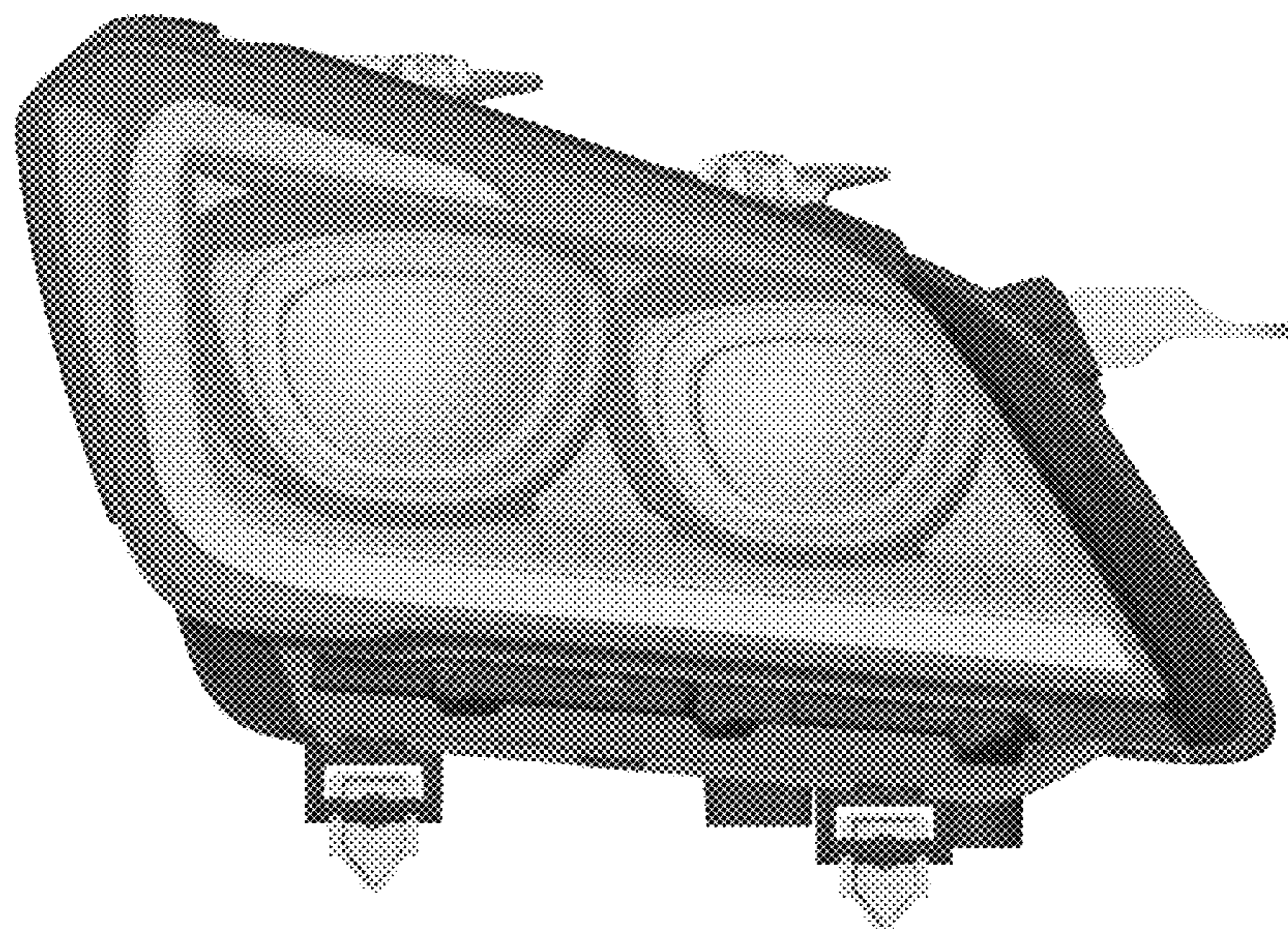
(52) **U.S. Cl.**
USPC **D26/28**

(58) **Field of Classification Search**
USPC D26/28-36
CPC F21S 48/00; F21S 48/10; F21S 48/115;
F21S 48/225; F21S 48/2281; F21S
48/1233; F21S 48/1266; F21S 48/1388;

DESCRIPTION

- 1. Head lamp for an automobile
- 1.1 : Perspective
- 1.2 : Front
- 1.3 : Back
- 1.4 : Left
- 1.5 : Right
- 1.6 : Top
- 1.7 : Bottom

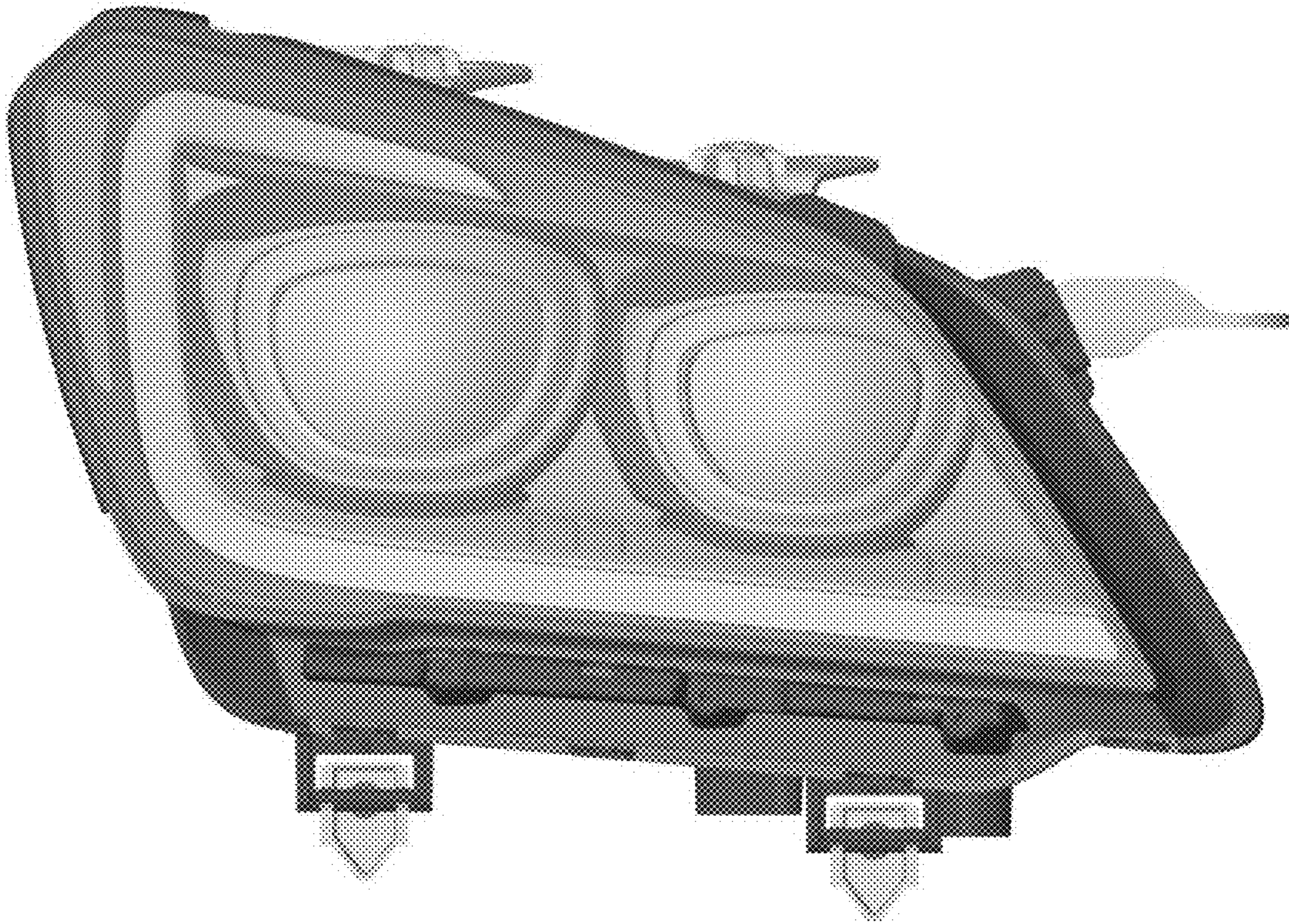
1 Claim, 7 Drawing Sheets



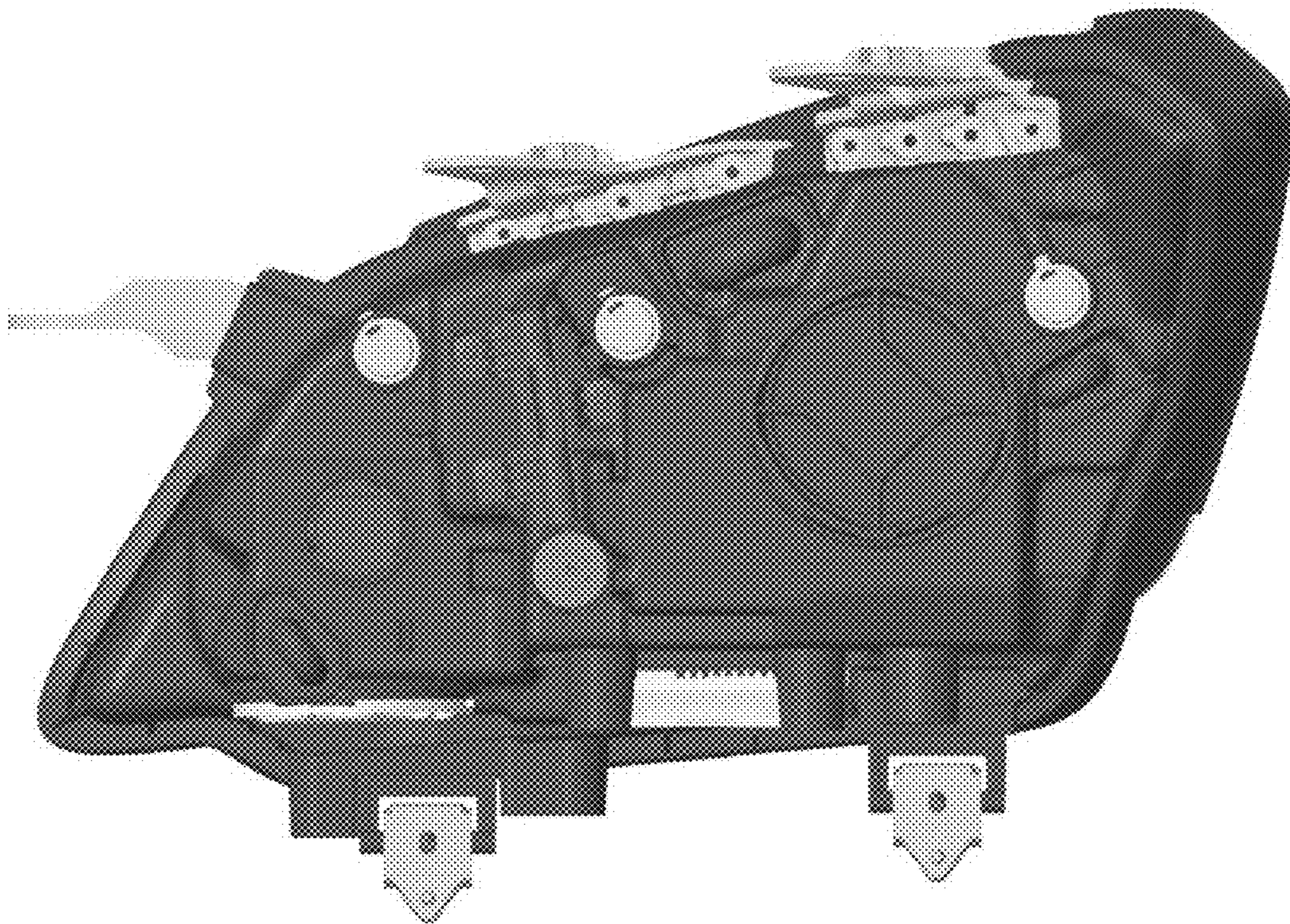
1.1



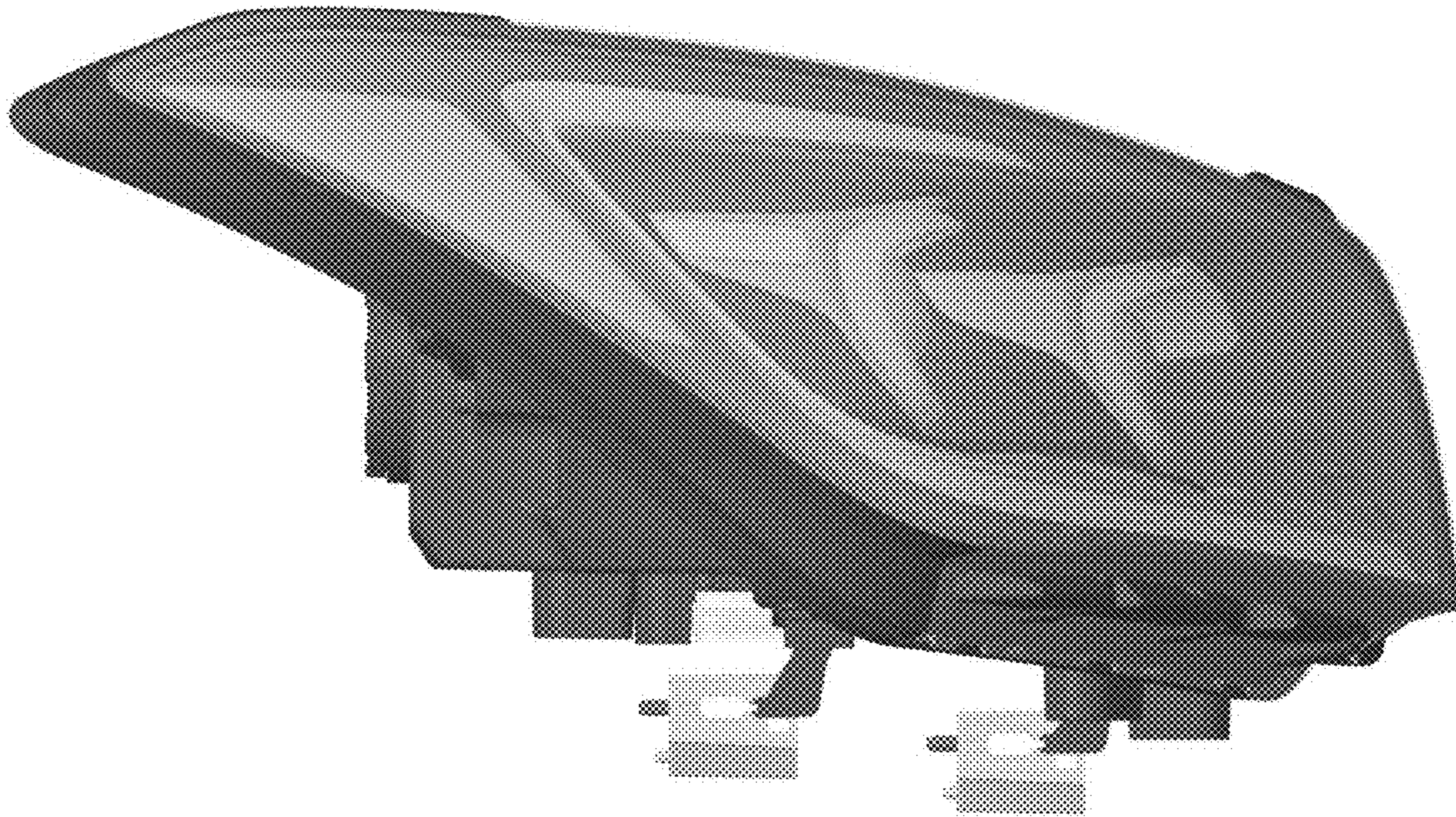
1.2



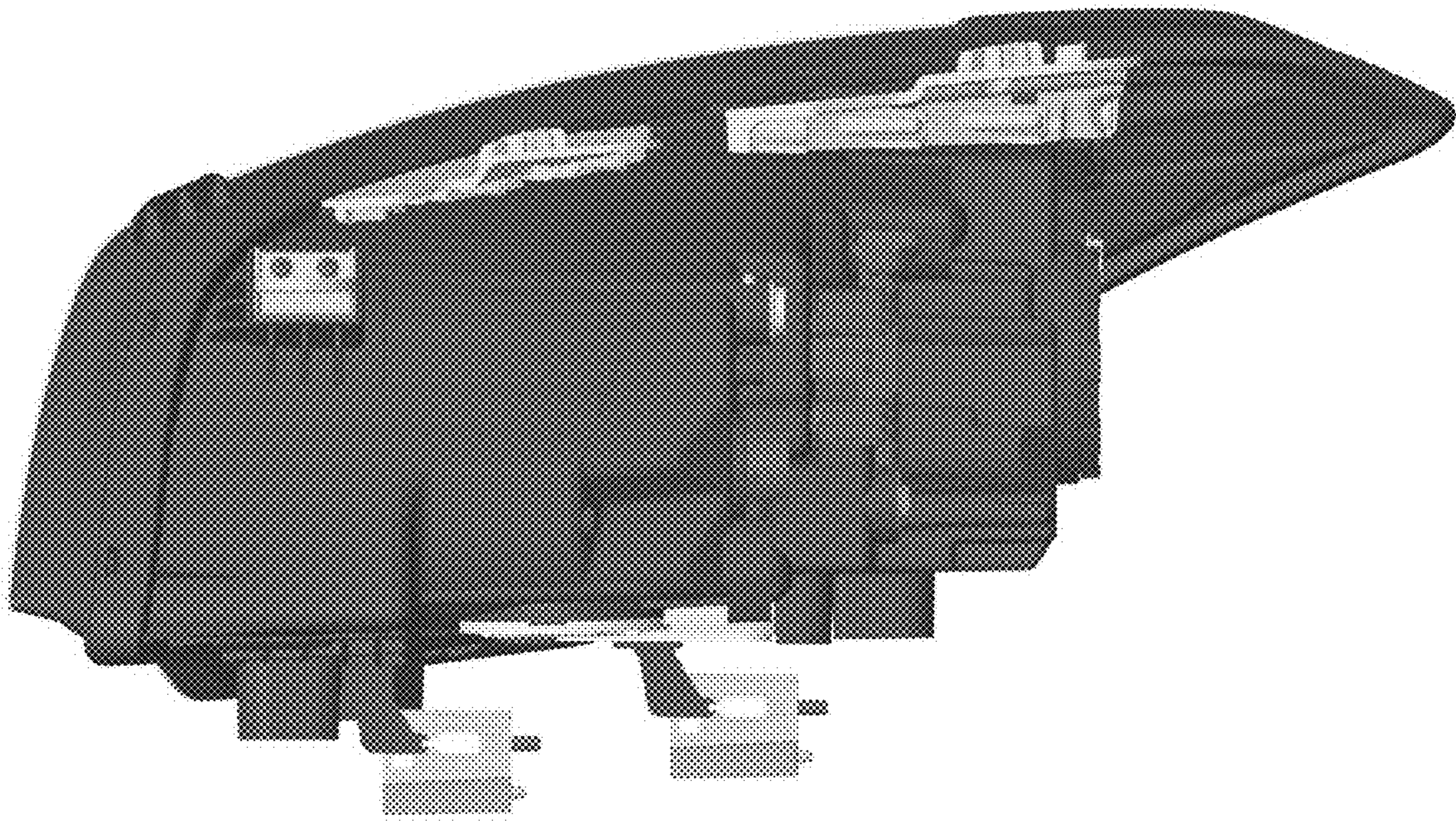
1.3



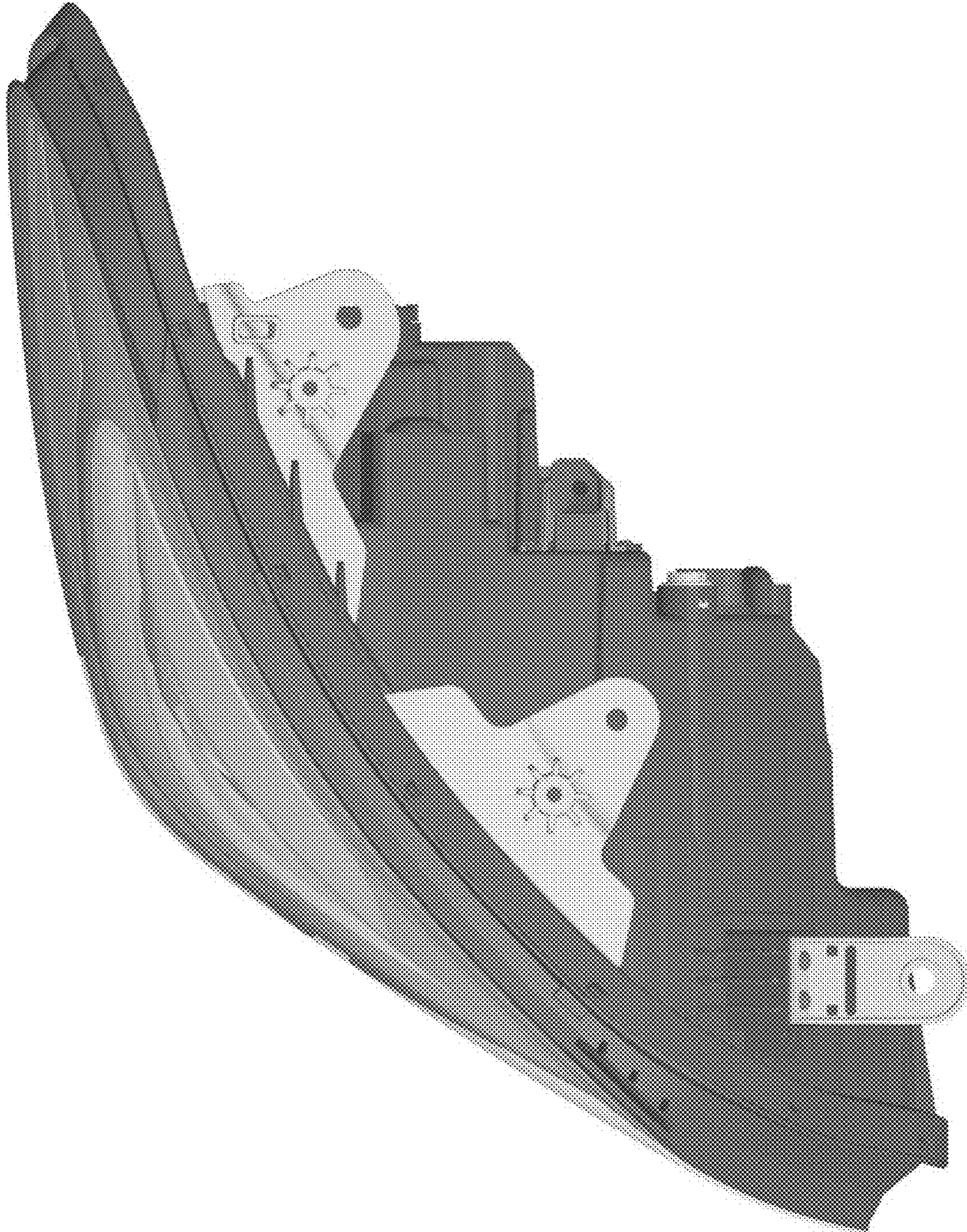
1.4



1.5



1.6



1.7

