



US00D824055S

(12) **United States Design Patent** (10) **Patent No.:** **US D824,055 S**  
**Chi** (45) **Date of Patent:** **\*\* Jul. 24, 2018**

(54) **FRONT FOG LIGHT FOR A VEHICLE**  
(71) Applicant: **Razer Auto, Inc.**, Upland, CA (US)  
(72) Inventor: **Samuel Chi**, Upland, CA (US)  
(73) Assignee: **Razer Auto, Inc.**, Upland, CA (US)  
(\*\*) Term: **15 Years**  
(21) Appl. No.: **29/634,787**  
(22) Filed: **Jan. 24, 2018**

D745,723 S 12/2015 Yoshida  
D745,986 S 12/2015 Gorsten Schuenemann  
D746,495 S 12/2015 Gorsten Schuenemann  
D747,017 S 1/2016 Hanson  
D747,512 S 1/2016 Lai  
D747,517 S 1/2016 Lai  
D747,518 S 1/2016 Lai  
D747,519 S 1/2016 Kim  
D747,820 S 1/2016 Sato  
D750,815 S 3/2016 Platto  
D750,816 S 3/2016 Platto  
D750,817 S 3/2016 Lin  
D750,818 S 3/2016 Lin  
D750,819 S 3/2016 Schneider  
D751,737 S 3/2016 Lai  
D751,740 S 3/2016 Wolff  
D752,254 S 3/2016 Futschik  
D752,255 S 3/2016 Futschik  
D752,782 S 3/2016 Moessner  
D753,323 S 4/2016 George  
D754,375 S 4/2016 Vena

**Related U.S. Application Data**

(62) Division of application No. 29/578,160, filed on Sep. 19, 2016, now Pat. No. Des. 812,262.

(51) **LOC (11) Cl.** ..... **26-06**

(52) **U.S. Cl.**  
USPC ..... **D26/28**

(58) **Field of Classification Search**  
USPC ..... D26/28-36; 362/80-83, 267-269,  
362/459-468, 475-478, 485-487  
CPC ..... F21S 48/00; F21S 48/10; F21S 48/115;  
F21S 48/225; F21S 48/1233; F21S  
48/1266; F21S 48/1388; F21S 48/2268;  
F21V 21/04

See application file for complete search history.

(56) **References Cited**

**U.S. PATENT DOCUMENTS**

D490,172 S \* 5/2004 Yamamoto ..... D26/28  
D521,162 S \* 5/2006 Campagna ..... D26/28  
D532,537 S \* 11/2006 Shiu ..... D26/39  
D564,683 S \* 3/2008 Roach ..... D26/28  
D570,011 S \* 5/2008 Huang ..... D26/28  
D638,963 S 5/2011 Huang  
D745,717 S 12/2015 Wu

\* cited by examiner

*Primary Examiner* — Marcus Jackson

(74) *Attorney, Agent, or Firm* — Eric Kelly

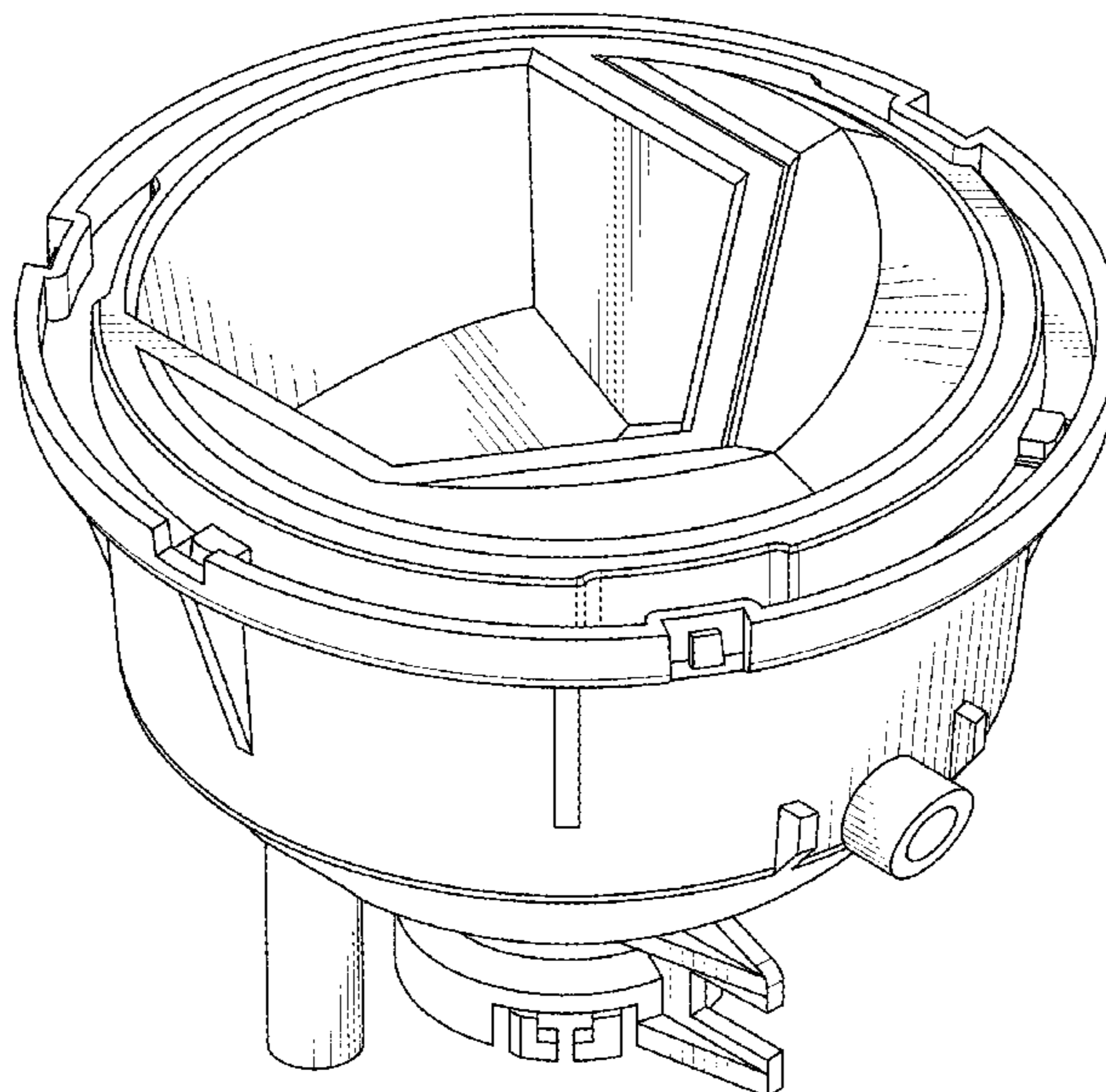
(57) **CLAIM**

What is claimed is an ornamental design for a front fog light for a vehicle, as shown and described herein.

**DESCRIPTION**

FIG. 1 illustrates a perspective view of a new and ornamental front fog light for a vehicle;  
FIG. 2 illustrates a front view thereof;  
FIG. 3 illustrates a back view thereof;  
FIG. 4 illustrates a left-side view thereof;  
FIG. 5 illustrates a right-side view thereof;  
FIG. 6 illustrates a top view thereof; and,  
FIG. 7 illustrates a bottom view thereof.

**1 Claim, 7 Drawing Sheets**



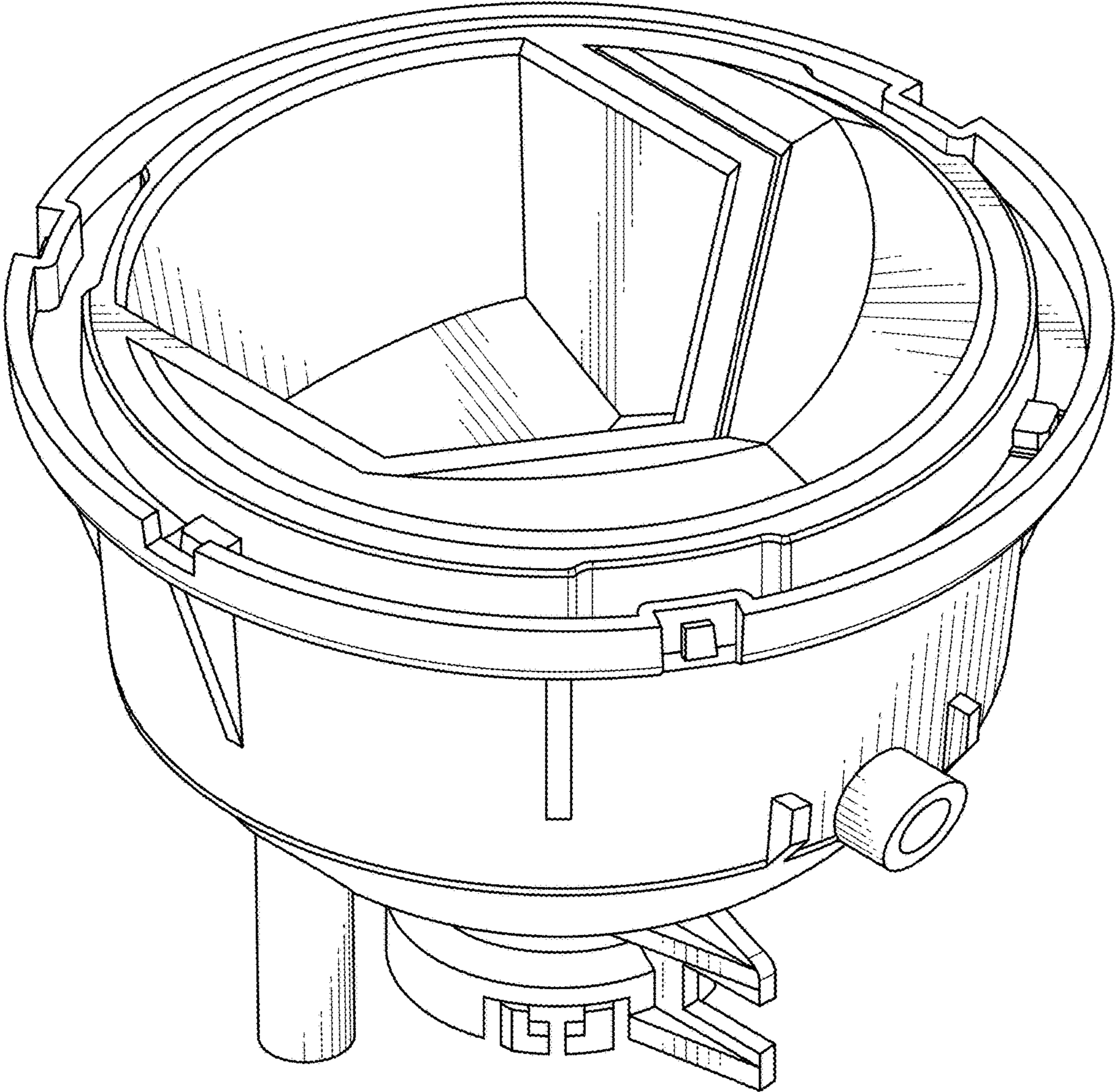


FIG. 1

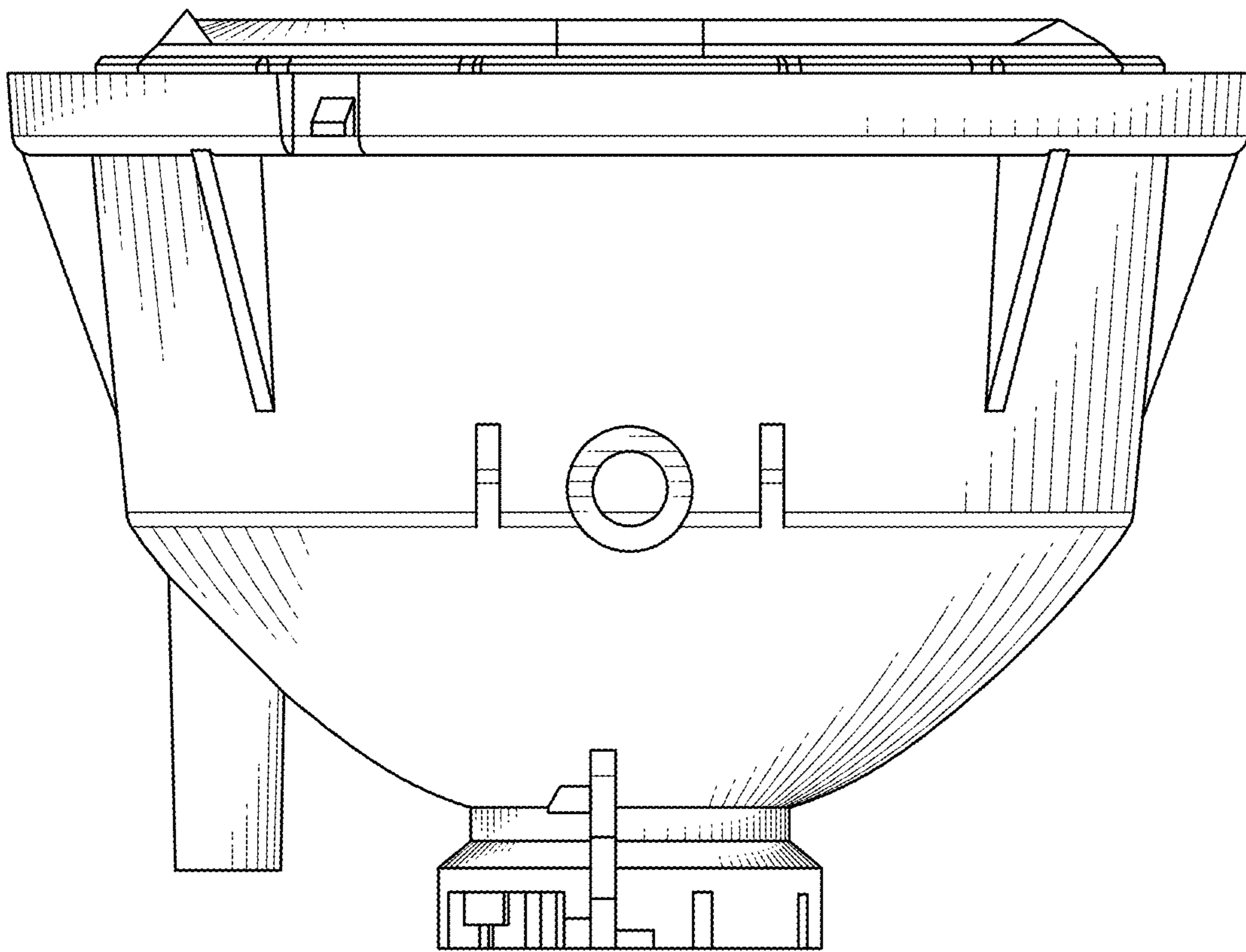


FIG. 2

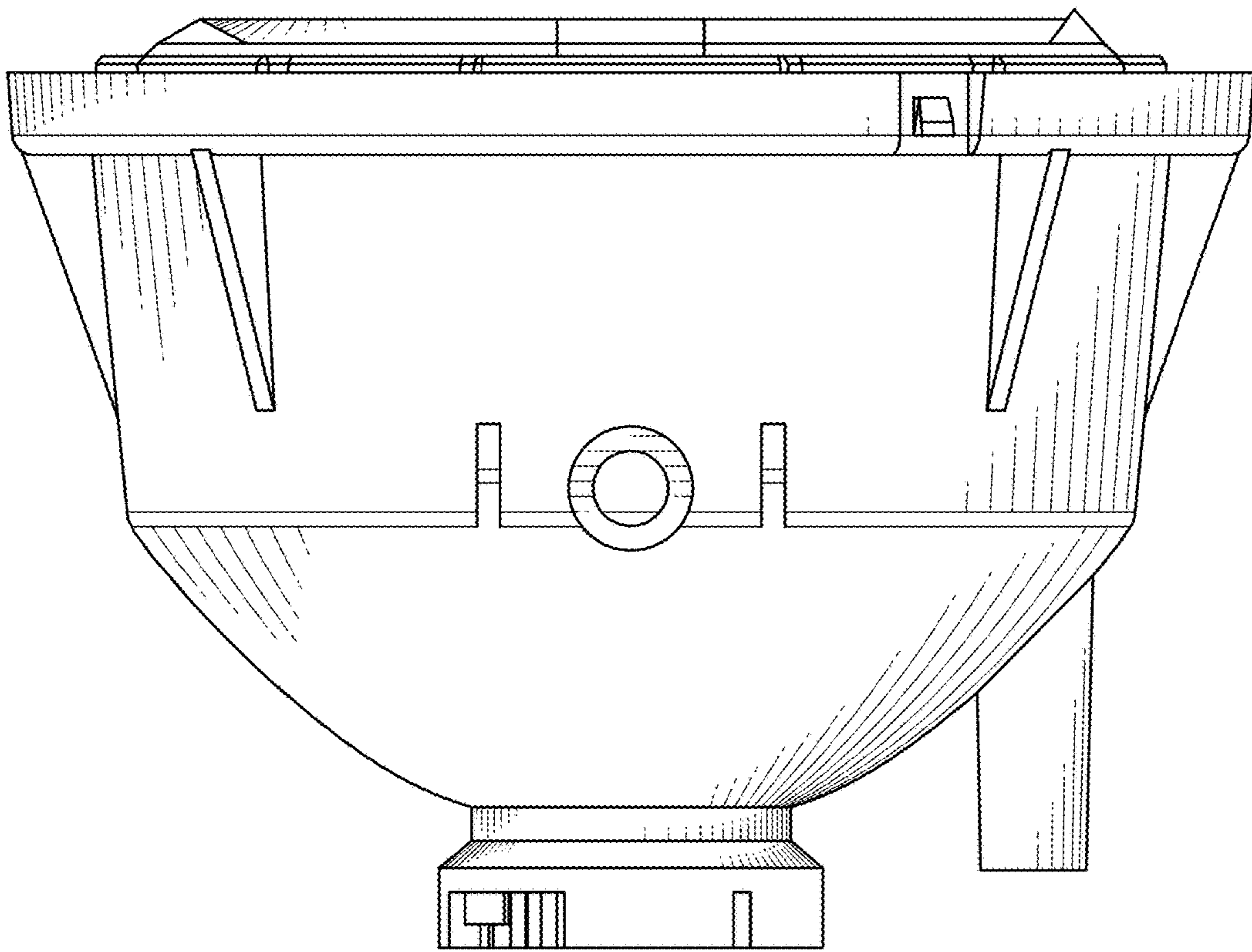


FIG. 3

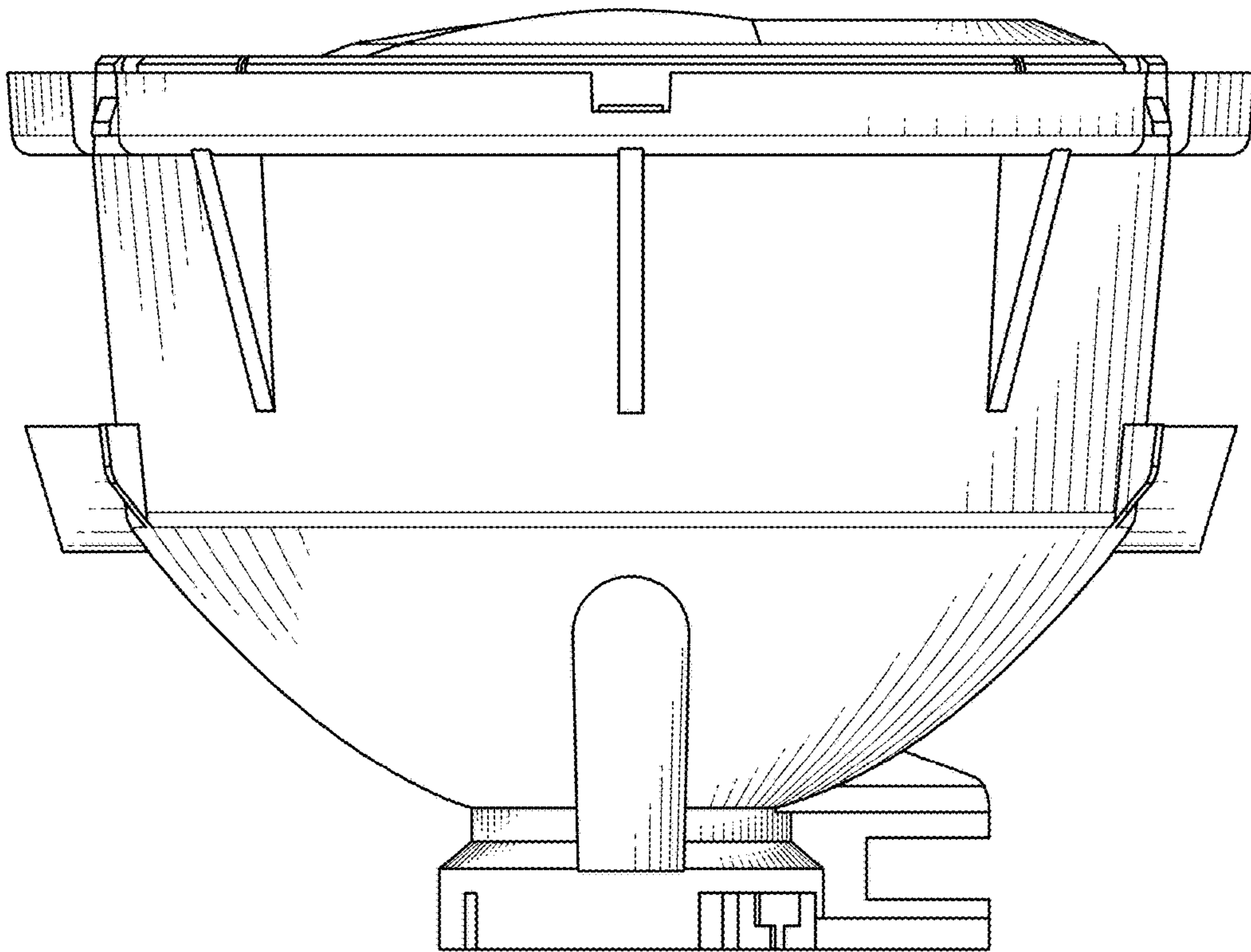


FIG. 4

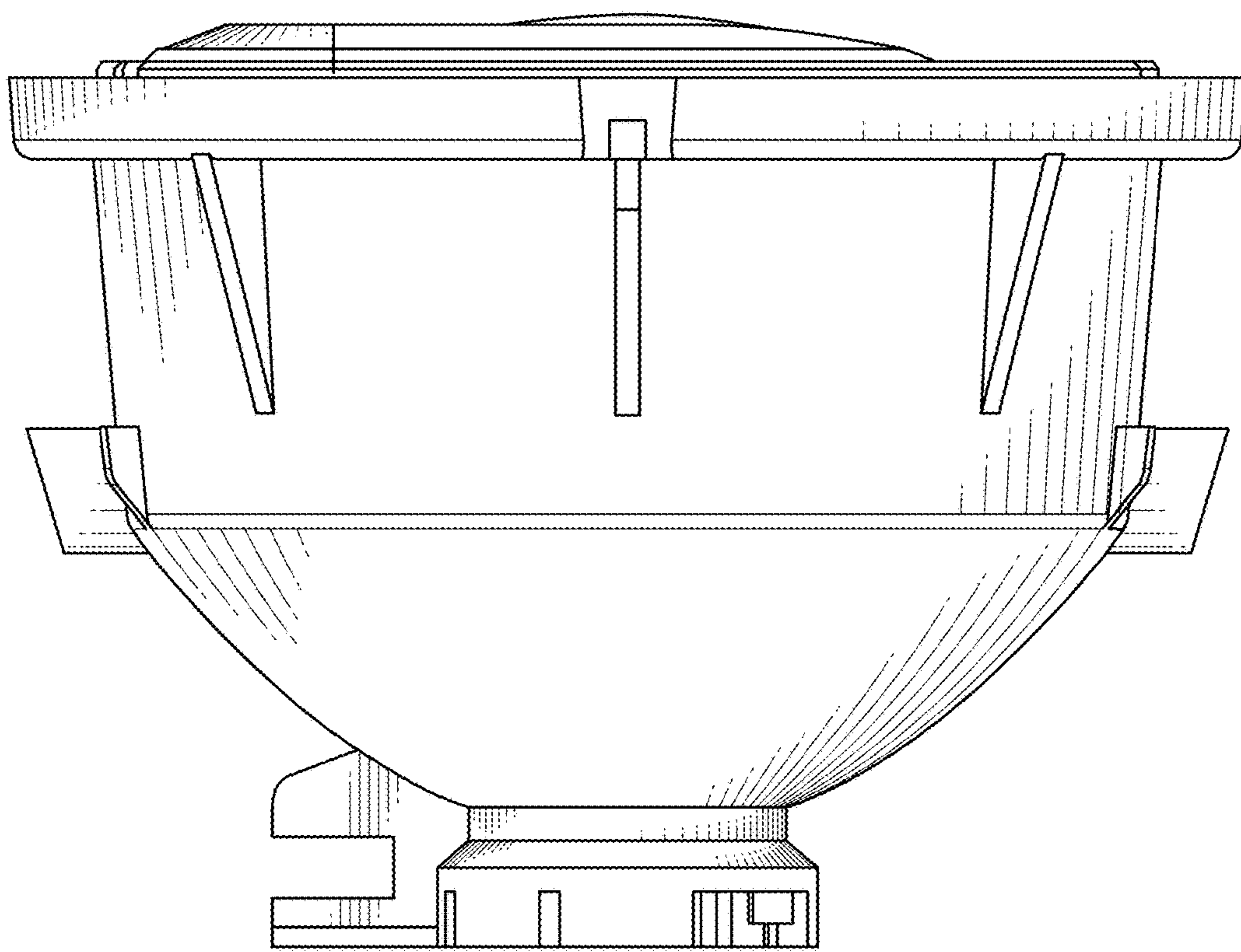


FIG. 5

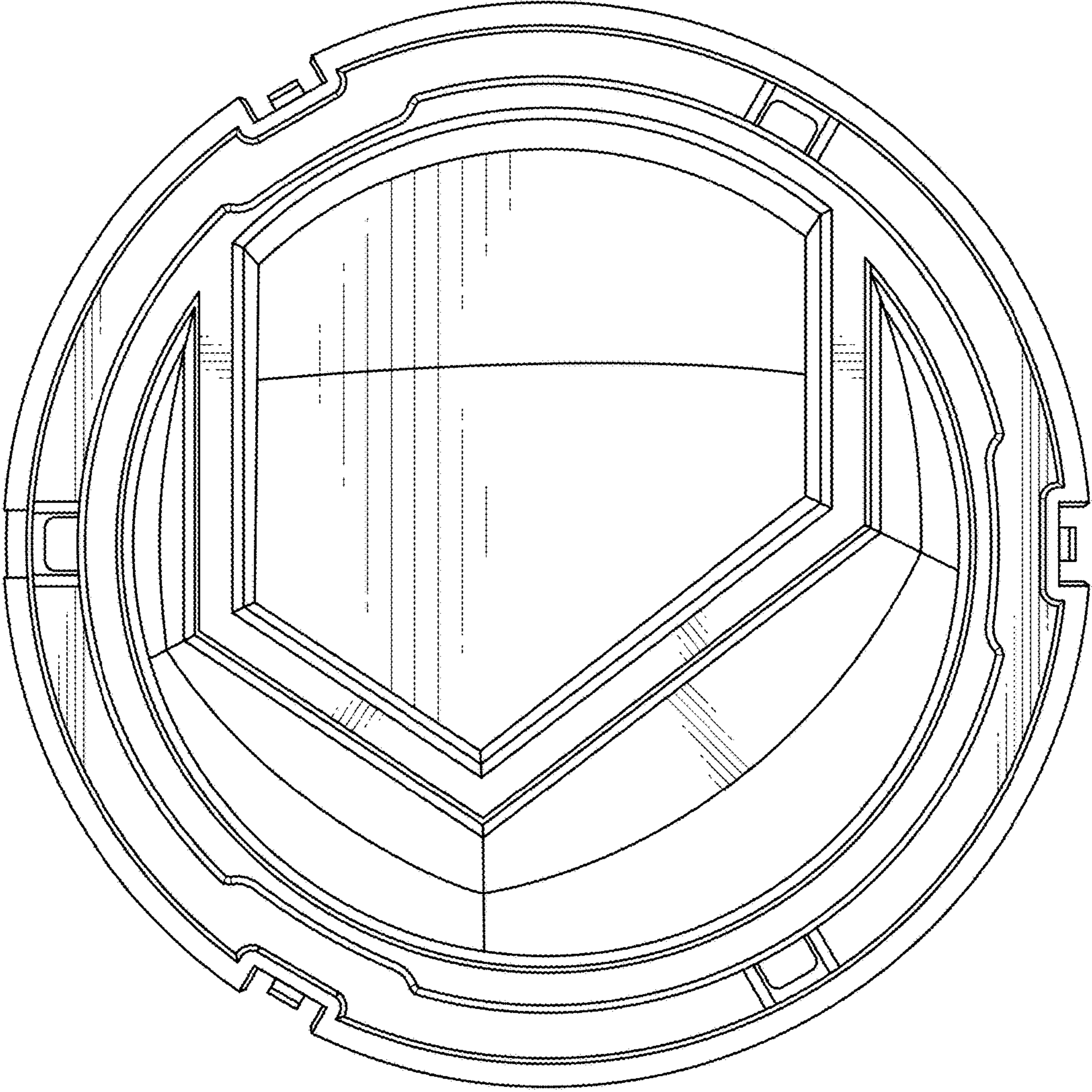


FIG. 6

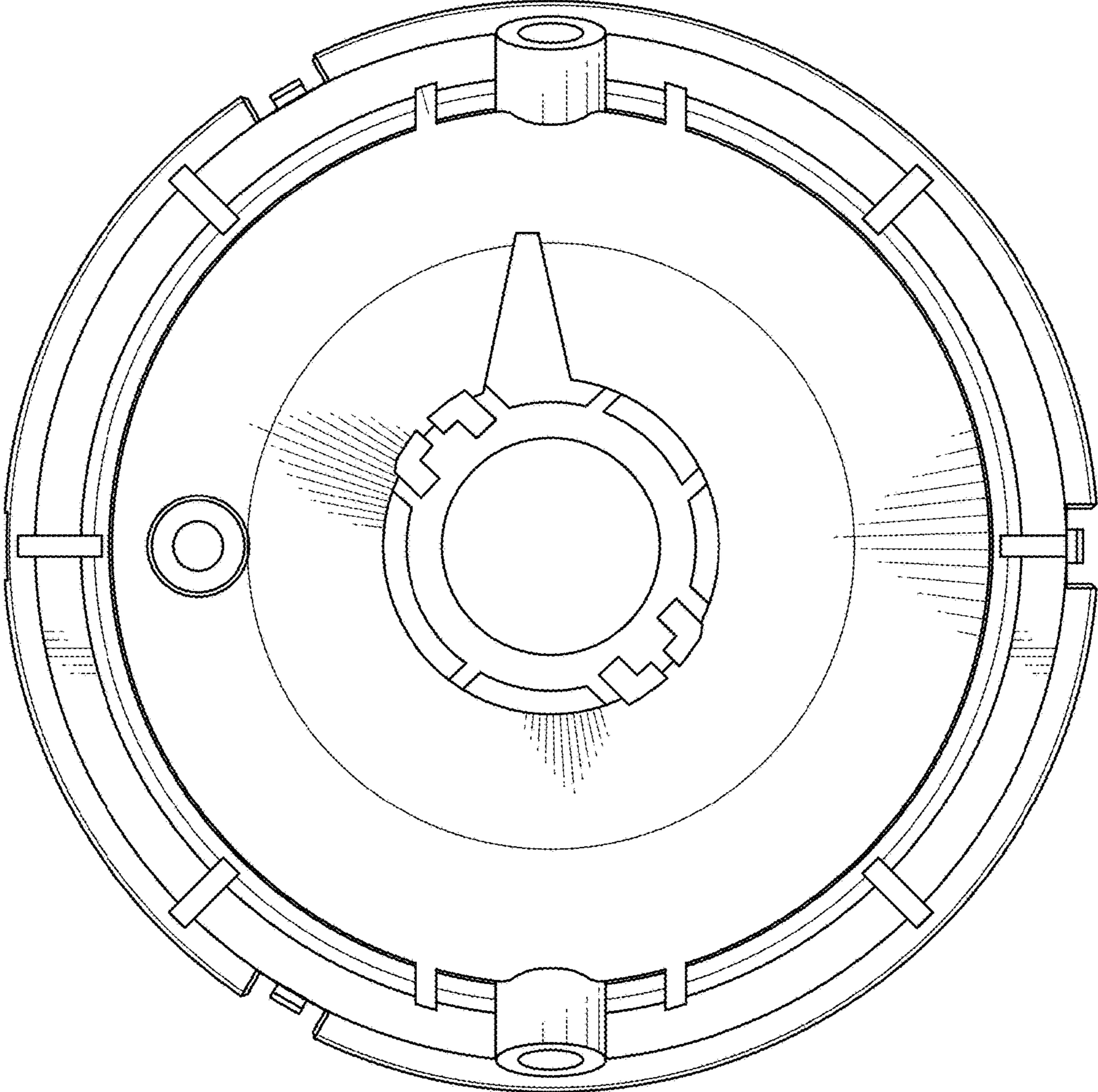


FIG. 7