

US00D824048S

(12) **United States Design Patent**
O'Malley

(10) **Patent No.:** **US D824,048 S**

(45) **Date of Patent:** **** *Jul. 24, 2018**

(54) **VINEYARD POST**

(71) Applicant: **Brian O'Malley**, Aldinga Beach (AU)

(72) Inventor: **Brian O'Malley**, Aldinga Beach (AU)

(*) Notice: This patent is subject to a terminal disclaimer.

(**) Term: **14 Years**

(21) Appl. No.: **29/514,347**

(22) Filed: **Jan. 12, 2015**

(30) **Foreign Application Priority Data**

Jul. 11, 2014 (AU) 201413359

(51) **LOC (11) Cl.** **25-01**

(52) **U.S. Cl.**

USPC **D25/131**

(58) **Field of Classification Search**

USPC D25/119, 124, 125, 126, 141; 52/478,
52/537, 235, 309.14, 518, 535, 204.1,
52/204.2, 206, 204.62, 204.7, 656.2,
52/656.6, 79.1, 79.9; 49/504

See application file for complete search history.

(56) **References Cited**

U.S. PATENT DOCUMENTS

D273,046 S *	3/1984	Fisher	D25/125
D395,711 S *	6/1998	Boyce	D25/123
5,950,383 A *	9/1999	Williamson	E04D 3/38
				52/408
D429,347 S *	8/2000	Doyle	D25/124
6,138,407 A *	10/2000	Pierce, Jr.	A01G 17/06
				47/46
D500,560 S *	1/2005	Willman	D25/124
D546,976 S *	7/2007	Ye	D25/124
D698,946 S *	2/2014	Griffiths	D25/125
D725,297 S *	3/2015	Taylor	D25/126

9,024,770 B2 * 5/2015 Reuben A63B 1/00
340/665
D742,540 S * 11/2015 Singh D25/119
D742,541 S * 11/2015 Ryan D25/119

(Continued)

Primary Examiner — Garth Rademaker

Assistant Examiner — Samantha Q Lawrence

(74) *Attorney, Agent, or Firm* — Renner Kenner Greive
Bobak Taylor & Weber

(57) **CLAIM**

The ornamental design for a vineyard post, as shown and described.

DESCRIPTION

FIG. 1 is an enlarged, partial top perspective view of a vineyard post, showing area 3 of FIG. 2;

FIG. 2 is a top plan view of the vineyard post, shown with a symbolic break in its length;

FIG. 3 is an enlarged, partial top plan view of the vineyard post, showing area 3 of FIG. 2;

FIG. 4 is a bottom plan view of the vineyard post, shown with a symbolic break in its length;

FIG. 5 is an enlarged, partial bottom plan view thereof, showing area 5 of FIG. 4;

FIG. 6 is an enlarged bottom perspective view thereof, showing area 5 of FIG. 4;

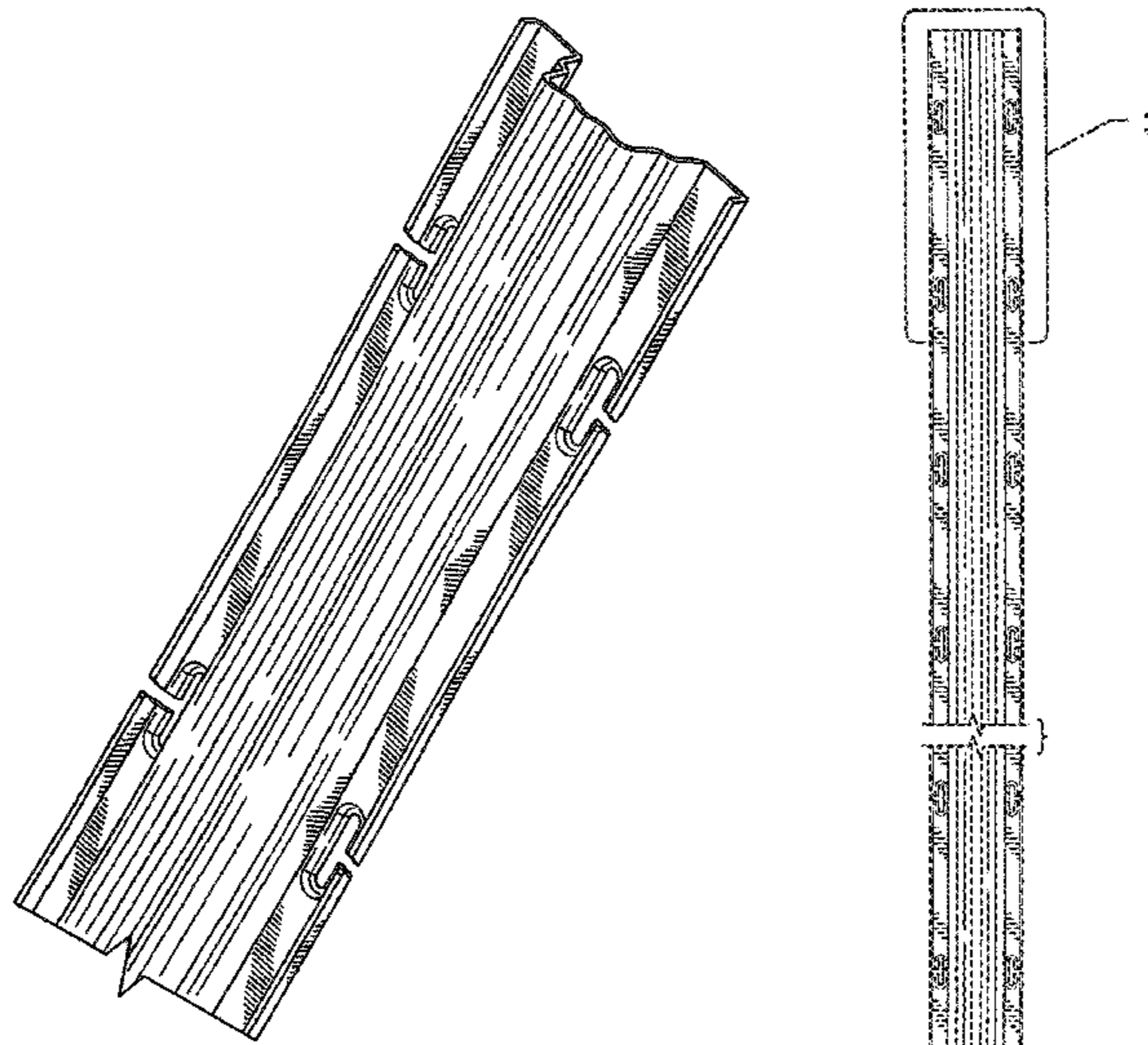
FIG. 7 is an enlarged, partial perspective view thereof, showing the area of FIG. 2 noted with arrow 7;

FIG. 8 is an enlarged front elevation view thereof, with the rear elevation view being a mirror image thereof; and,

FIG. 9 is a right side elevation view thereof, shown with a symbolic break in its length, and with the left side elevation view being a mirror image thereof.

The vineyard post is shown with a symbolic break in its length. The break lines simply indicate that the length of the article can vary. The appearance of any portion of the article between the break lines forms no part of the claimed design.

1 Claim, 9 Drawing Sheets



(56)

References Cited

U.S. PATENT DOCUMENTS

2006/0174571 A1* 8/2006 Panasik E04D 3/361
52/478
2009/0100773 A1* 4/2009 Flynn B29C 67/0044
52/306

* cited by examiner

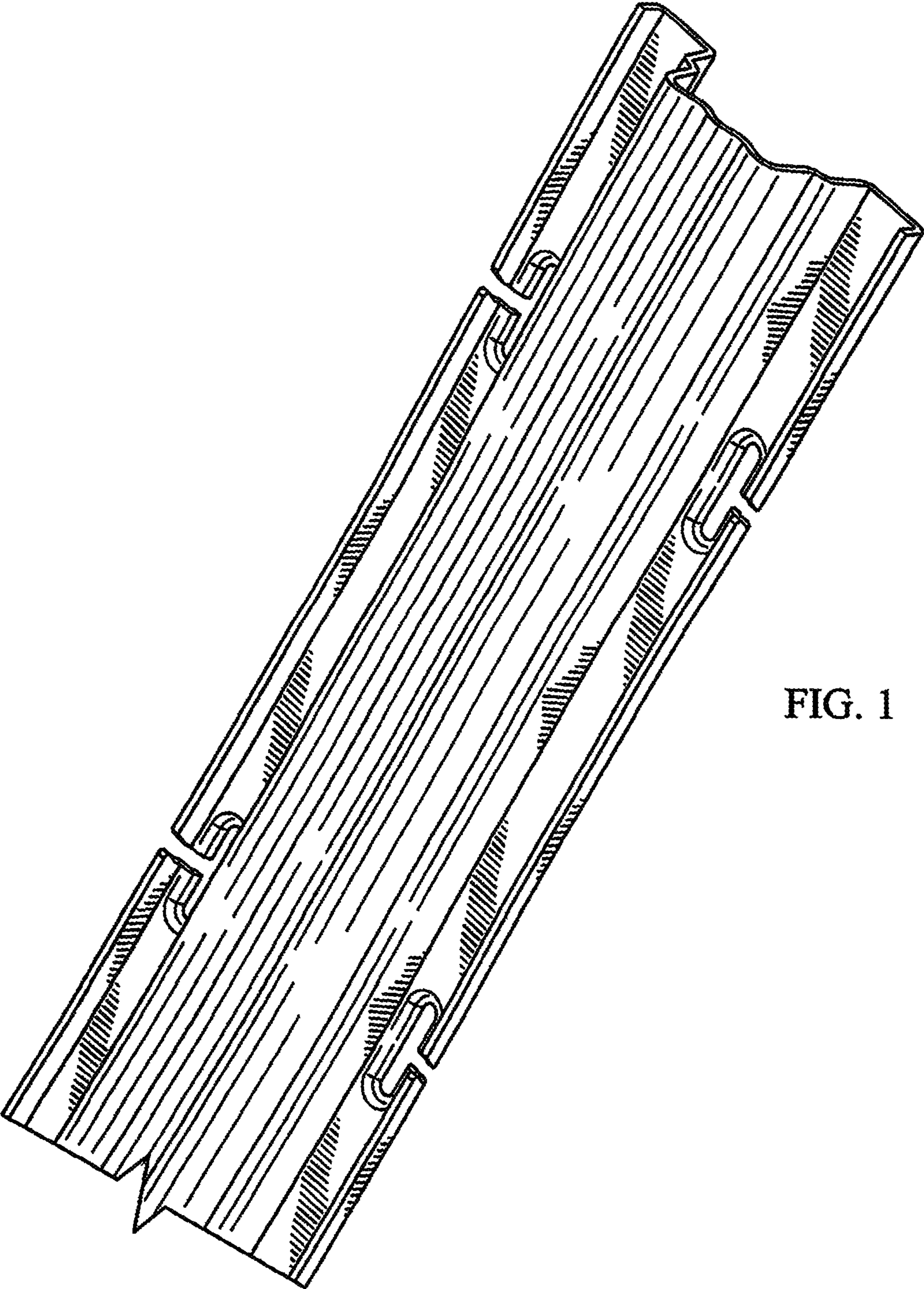


FIG. 1

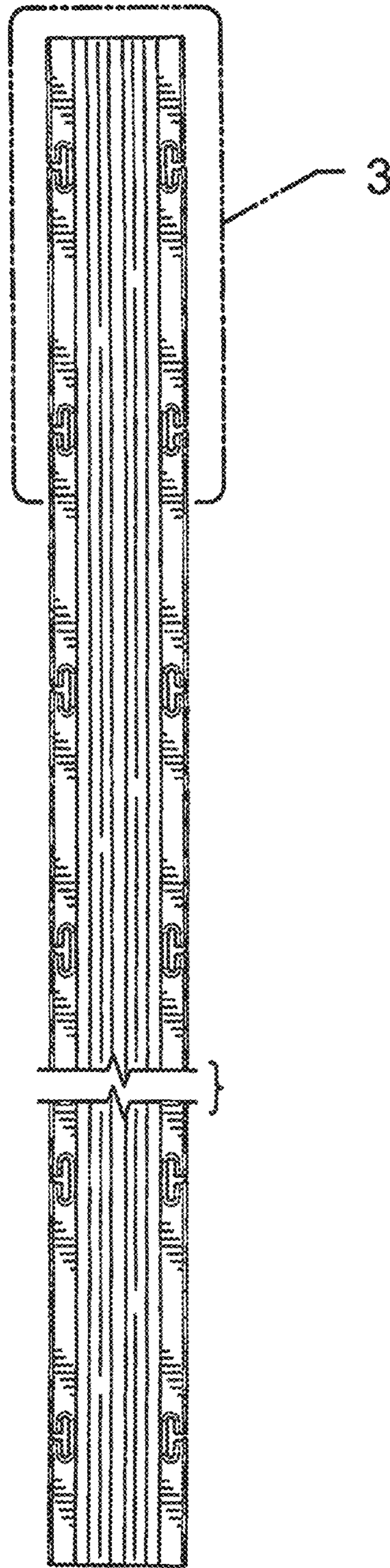


FIG. 2

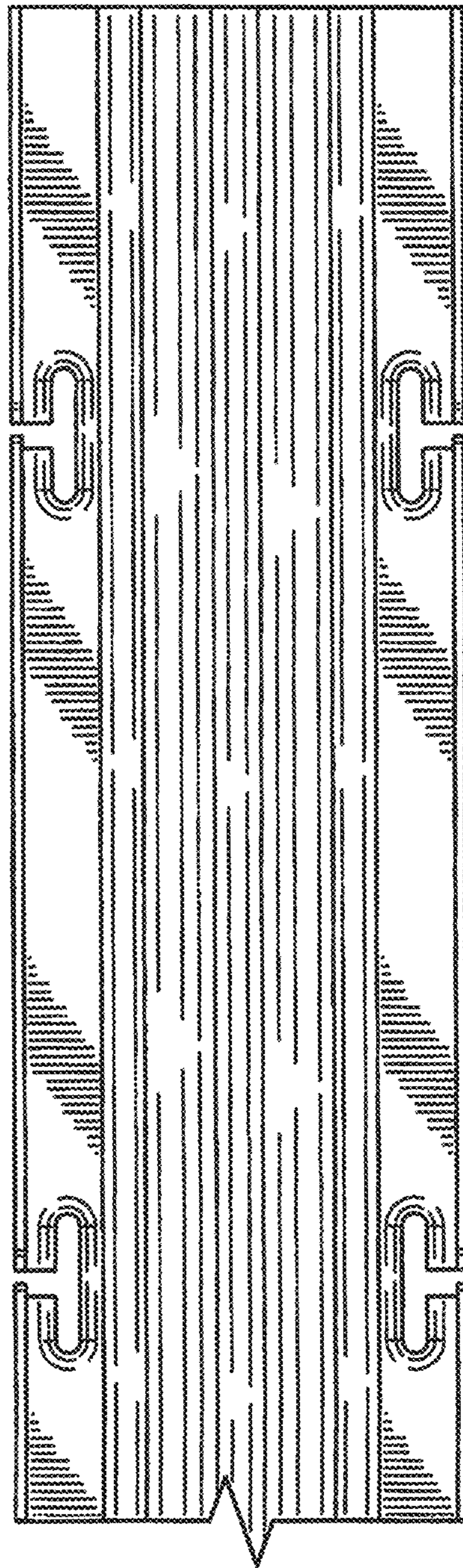


FIG. 3

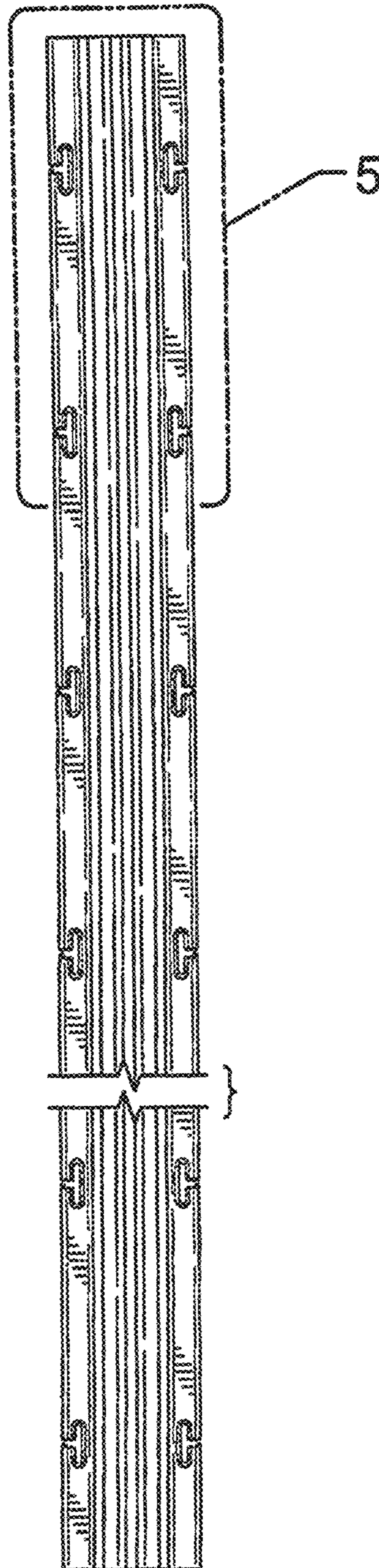


FIG. 4

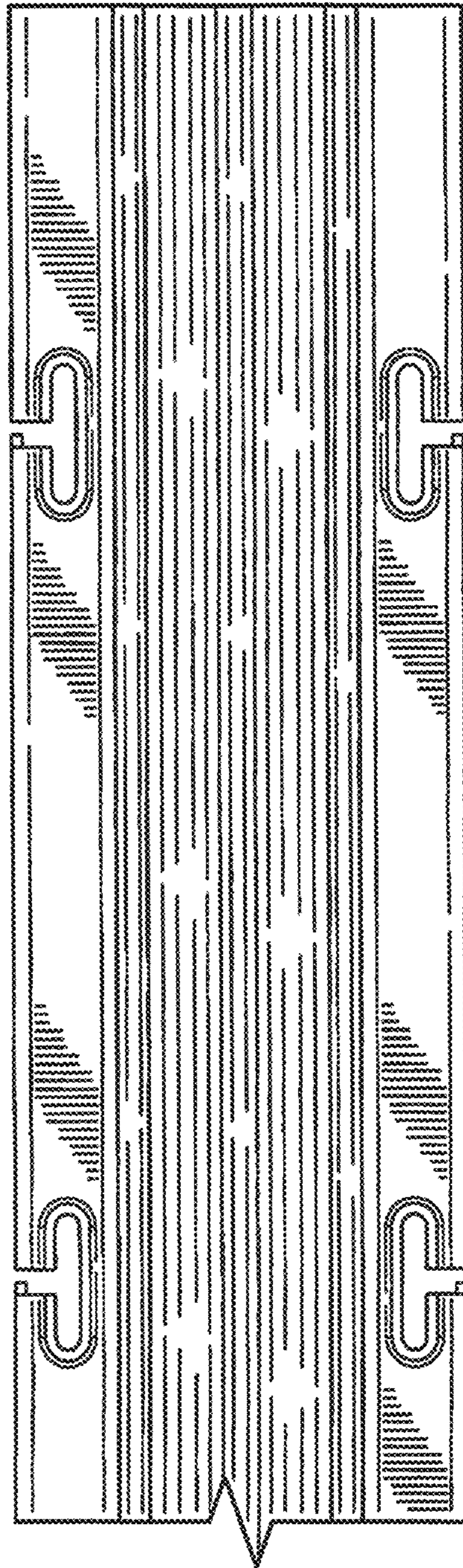


FIG. 5

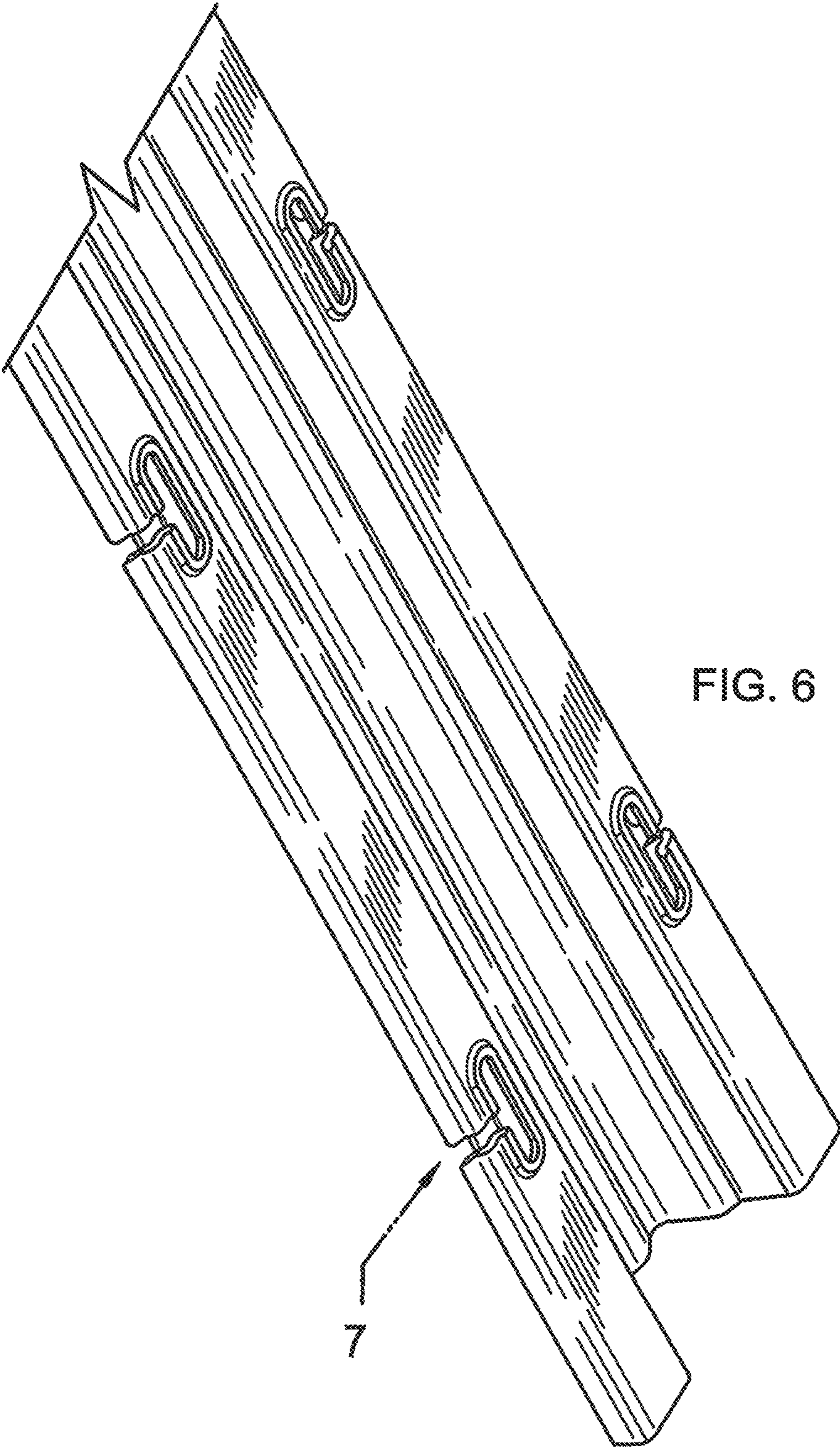


FIG. 6

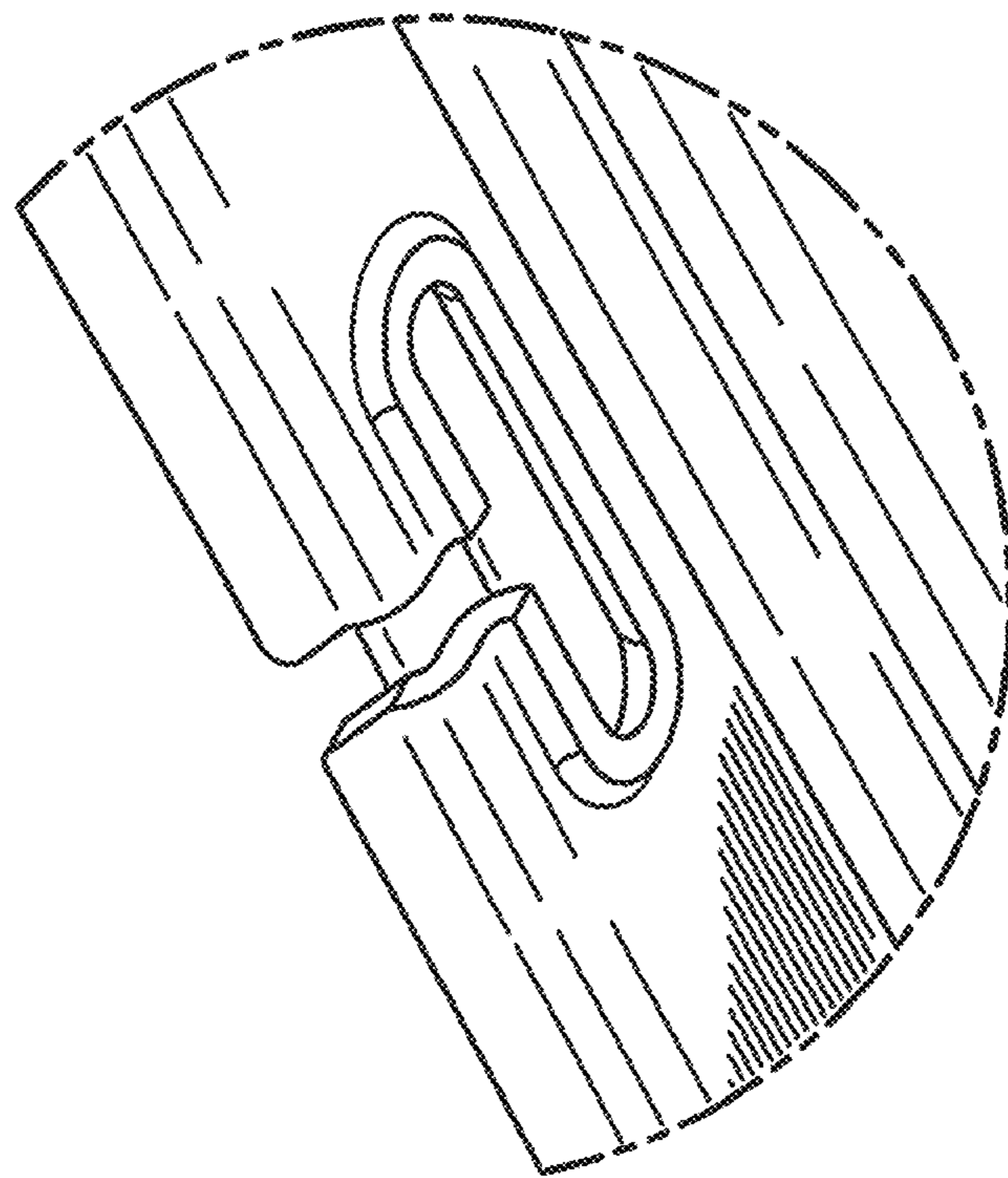


FIG. 7

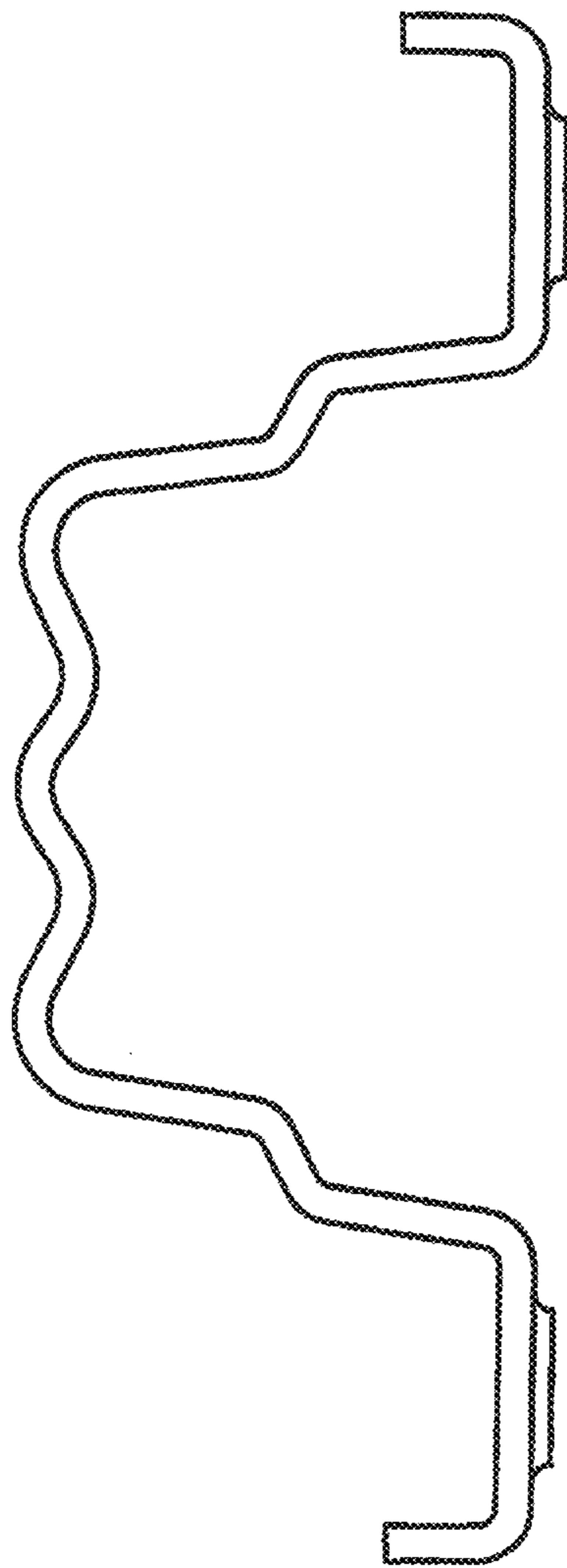


FIG. 8

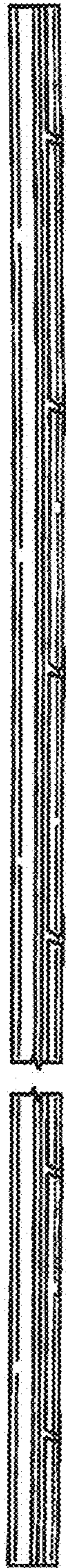


FIG. 9