



US00D824046S

(12) **United States Design Patent** (10) **Patent No.:** **US D824,046 S**  
**Krause** (45) **Date of Patent:** **\*\* Jul. 24, 2018**

(54) **BRACKET MEMBER FOR EXTERIOR CLADDING SYSTEMS**

(71) Applicant: **Advanced Architectural Products, LLC, Allegan, MI (US)**

(72) Inventor: **G. Matt Krause, Allegan, MI (US)**

(73) Assignee: **Advanced Architectural Products, LLC, Allegan, MI (US)**

(\*\*) Term: **15 Years**

(21) Appl. No.: **29/602,316**

(22) Filed: **May 1, 2017**

**Related U.S. Application Data**

(63) Continuation of application No. 15/415,068, filed on Jan. 25, 2017, which is a continuation of application (Continued)

(51) **LOC (11) Cl.** ..... **25-01**

(52) **U.S. Cl.**  
USPC ..... **D25/119**

(58) **Field of Classification Search**  
USPC ..... D25/35, 60, 119-138, 164, 199; D8/354, D8/373, 374, 376, 377, 380, 381, 382; D6/702, 709, 712; D20/42-44  
CPC ... E04C 3/00; E04C 3/005; E04C 3/02; E04C 3/04; E04C 3/12; E04C 3/20; E04C 3/28; E04C 3/30; E04F 19/02; E04F 19/022; E04F 19/026; E04F 19/028; E04F 19/04; E04F 19/0436; E04F 19/0481; E04F 19/0486; E04F 19/06; E04F 19/061; E04F 19/064; E04F 2019/0404; E04F 2019/0413; E04F 2019/0422; E04F 2019/0454; E04D 13/0459; E04D 13/0477; E04D 13/0481; E04D 13/15; E04D 13/076; E04D 13/0767; E04B 2/00; E04B 2/74; E04B 2/76; E04B 2/761; E04B 2/762; E04B 2/763; E04B

(Continued)

(56) **References Cited**

U.S. PATENT DOCUMENTS

D162,843 S *	4/1951	Klein .....	D25/119
D202,718 S *	11/1965	Kore .....	D25/124
D253,130 S *	10/1979	Broadbent .....	D25/125
D279,315 S *	6/1985	Smith .....	D25/119
D304,085 S *	10/1989	Hockney .....	D25/119
D315,605 S *	3/1991	Thornton .....	D25/119
D315,606 S *	3/1991	Thornton .....	D25/119

(Continued)

FOREIGN PATENT DOCUMENTS

CA	2924064 A1	3/2015
RU	2112114 C1	5/1998
WO	2010057273 A1	5/2010

*Primary Examiner* — Cynthia Ramirez

*Assistant Examiner* — L. Martinez-Rivera

(74) *Attorney, Agent, or Firm* — The Watson IP Group, PLC; Jovan N. Jovanovic; Vladan M. Vasiljevic

(57) **CLAIM**

The ornamental design for a bracket member for exterior cladding systems, as shown and described.

**DESCRIPTION**

FIG. 1 of the drawings is a perspective view of the bracket member for exterior cladding systems, showing my new design;

FIG. 2 of the drawings is a front elevational view thereof; FIG. 3 of the drawings is a right side elevational view thereof;

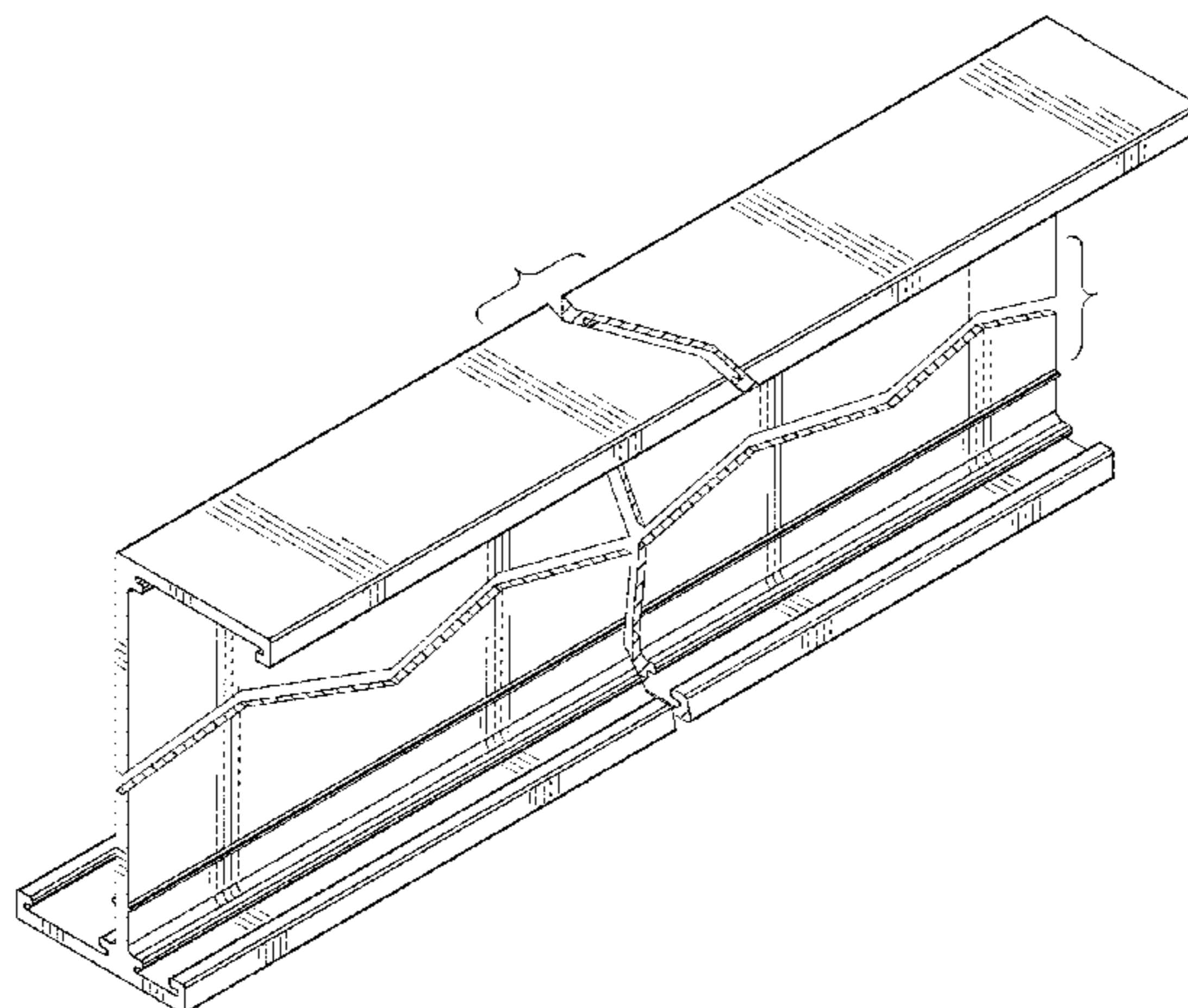
FIG. 4 of the drawings is a back elevational view thereof; FIG. 5 of the drawings is a top plan view thereof;

FIG. 6 of the drawings is a left side elevational view thereof; and,

FIG. 7 of the drawings is a bottom plan view thereof.

The bracket member for exterior cladding systems is shown with a symbolic break in its length and width. The appearance of any portion of the bracket member for exterior cladding systems between the parallel break lines forms no part of the claimed design.

**1 Claim, 4 Drawing Sheets**



**Related U.S. Application Data**

No. 15/067,966, filed on Mar. 11, 2016, now Pat. No. 9,580,904, which is a continuation of application No. PCT/US2014/055118, filed on Sep. 11, 2014, which is a continuation of application No. 14/281,949, filed on May 20, 2014, now Pat. No. 9,151,052, which is a continuation-in-part of application No. 13/763,915, filed on Feb. 11, 2013, now Pat. No. 8,833,025, which is a continuation-in-part of application No. 12/984,051, filed on Jan. 4, 2011, now Pat. No. 8,826,620.

**(58) Field of Classification Search**

CPC ..... 2/764; E04B 2/765; E04B 2/7854; E04B 2/7863; E04B 2/7872; E04B 2/7881; E04B 2/789; E06B 1/00; E06B 1/02; E06B 1/04; E06B 1/045; E06B 1/12; E06B 1/28; E06B 1/30; E06B 1/34; E06B 1/342; E06B 1/36; E06B 1/366; E06B 1/56; E06B 1/60; E06B 1/6092; E06B 1/62

See application file for complete search history.

(56)

**References Cited**

U.S. PATENT DOCUMENTS

D323,088	S *	1/1992	Fler .....	D25/119
D420,154	S *	2/2000	Irvine .....	D25/138
6,098,364	A	8/2000	Liu	
7,752,823	B2 *	7/2010	Robinson .....	E04C 3/02 52/317
D621,066	S *	8/2010	Selles .....	D25/60
D625,844	S *	10/2010	Antonic .....	D25/121
9,389,013	B2 *	7/2016	Rolek .....	E06B 1/04
D780,943	S *	3/2017	Krause .....	D25/119
D780,944	S *	3/2017	Krause .....	D25/119
D781,459	S *	3/2017	Krause .....	D25/119
D781,460	S *	3/2017	Krause .....	D25/119
D782,707	S *	3/2017	Krause .....	D25/119
D787,709	S *	5/2017	Krause .....	D25/119
2008/0282635	A1 *	11/2008	Robinson .....	E04C 3/02 52/410
2013/0152498	A1	6/2013	Krause	
2017/0268240	A1 *	9/2017	Ege .....	E06B 1/52

\* cited by examiner

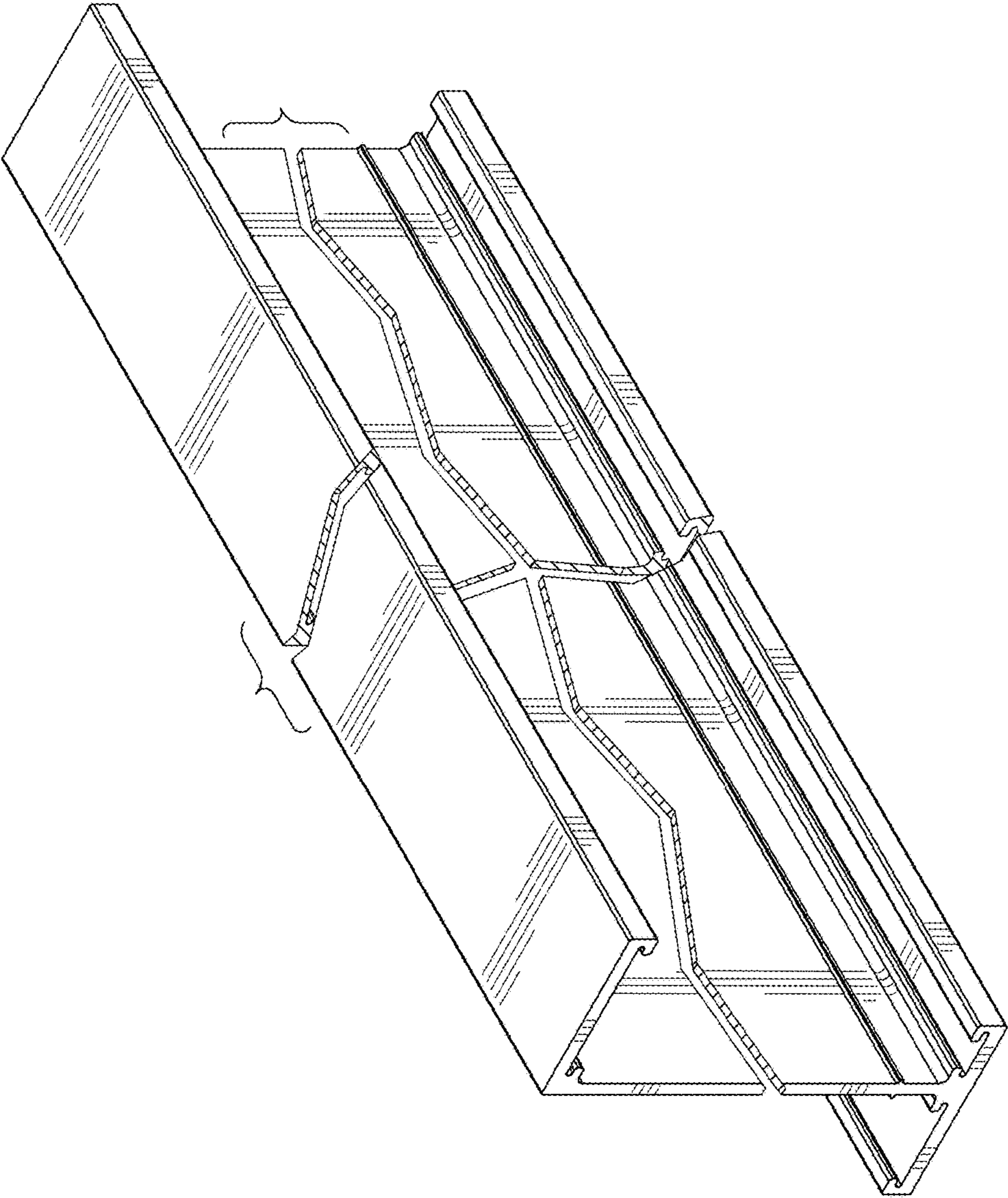


FIG. 1

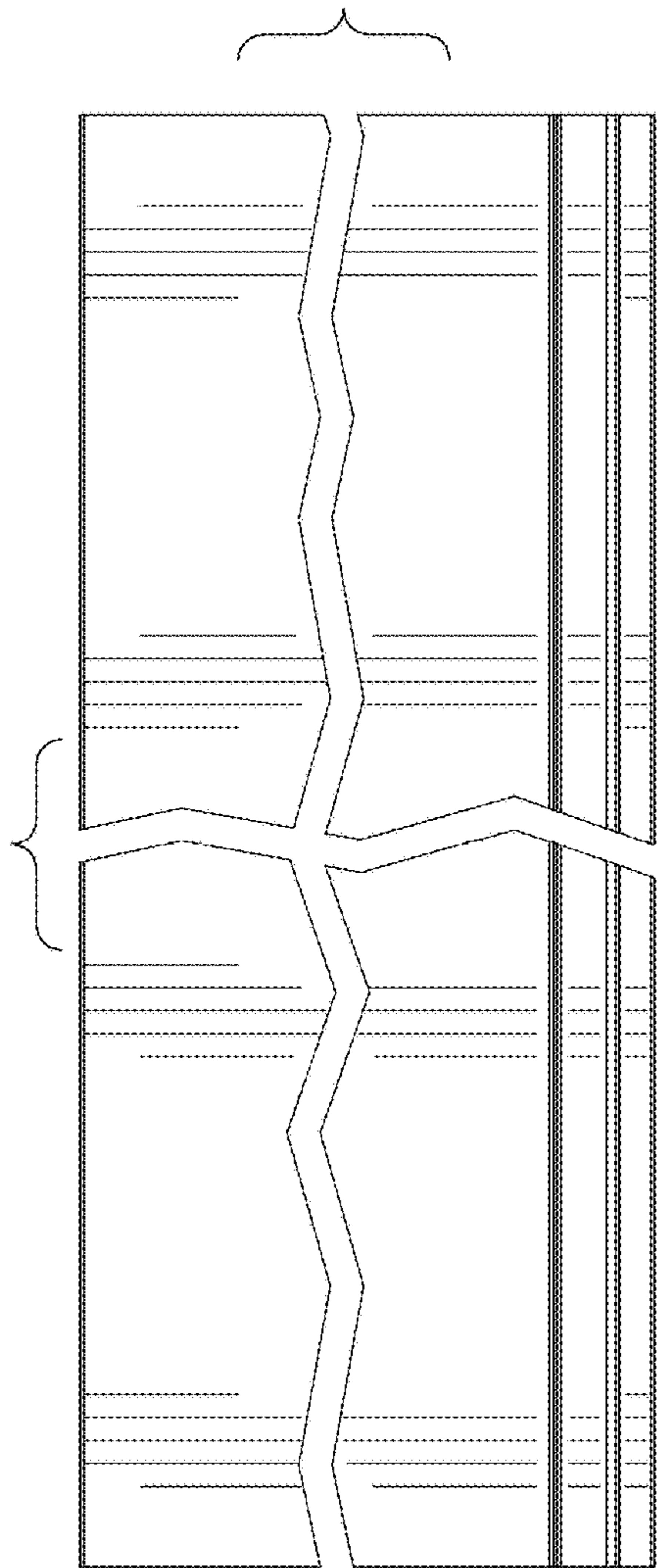


FIG. 2

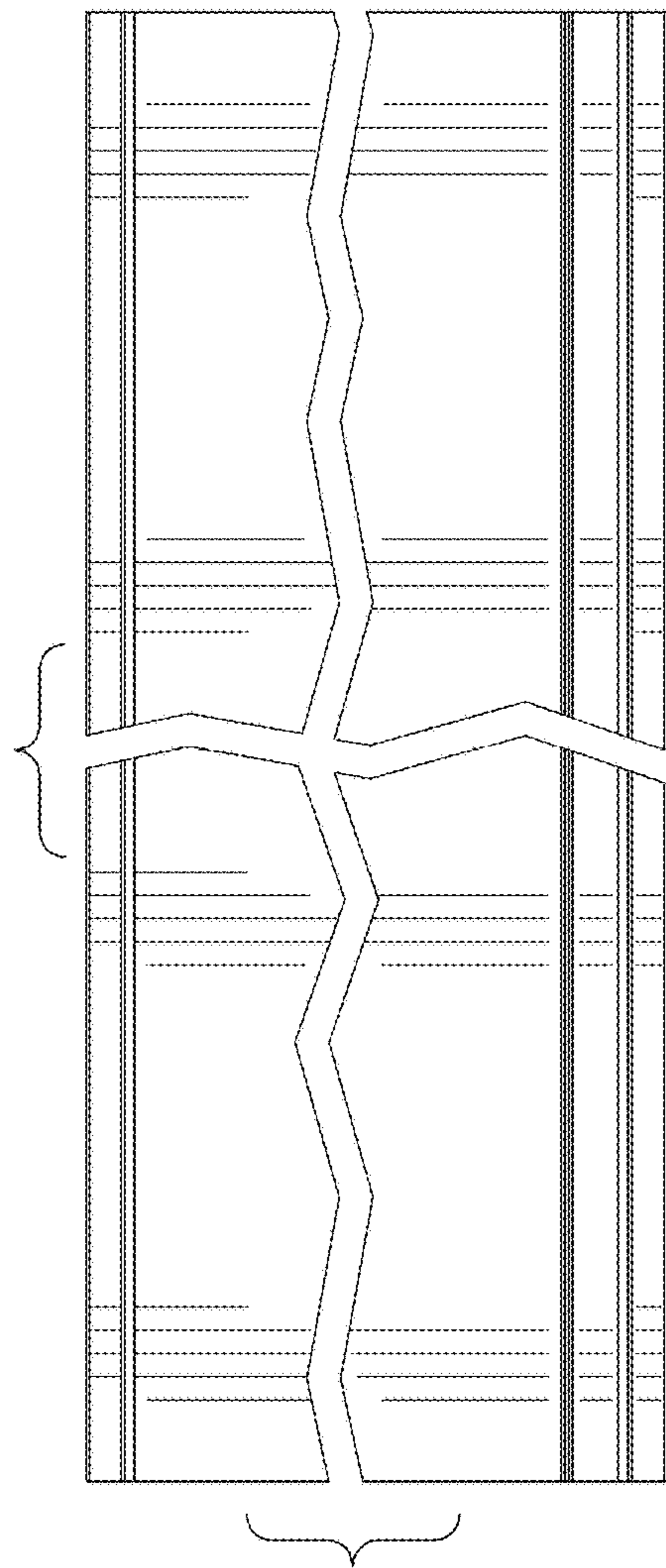


FIG. 3

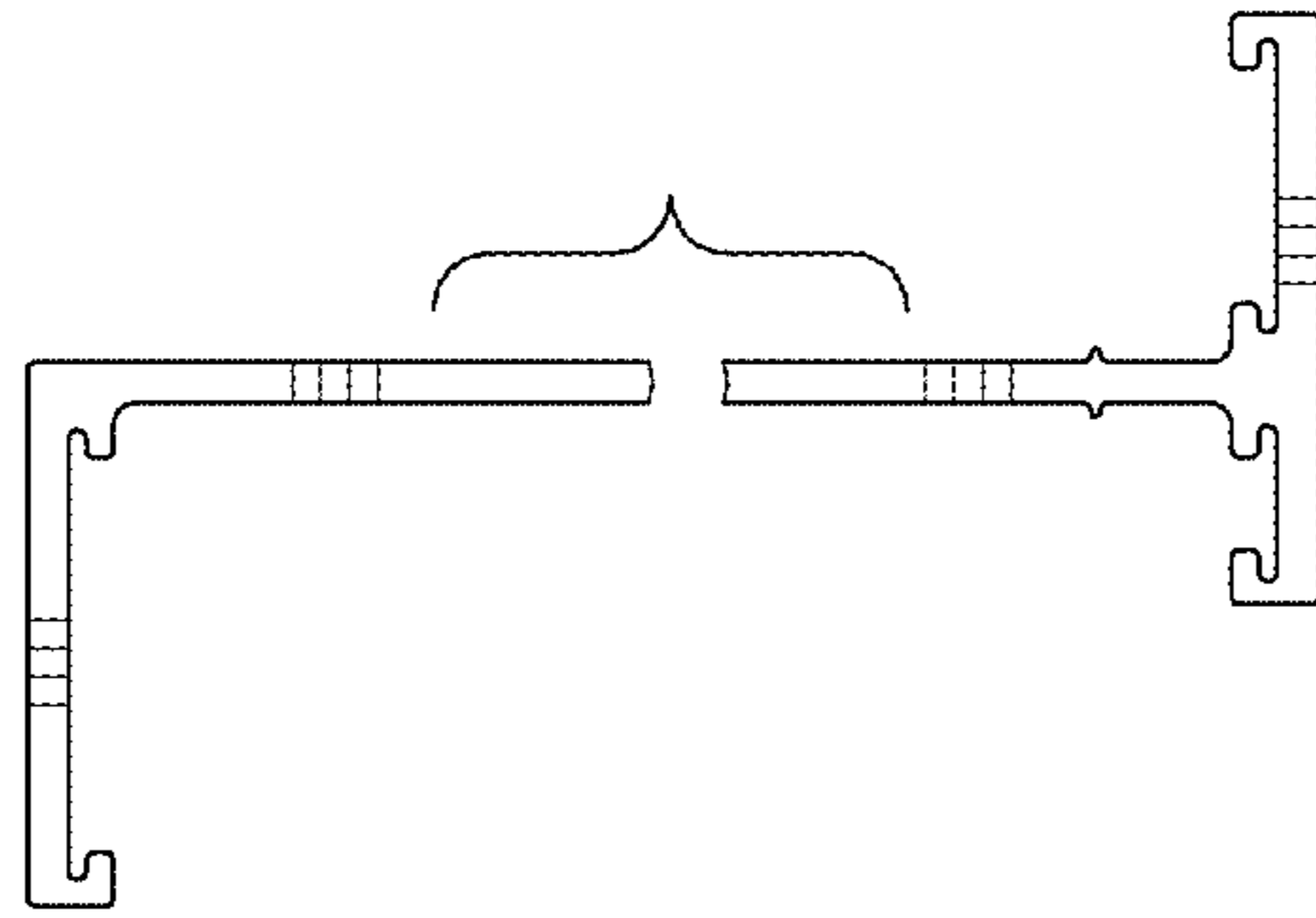


FIG. 5

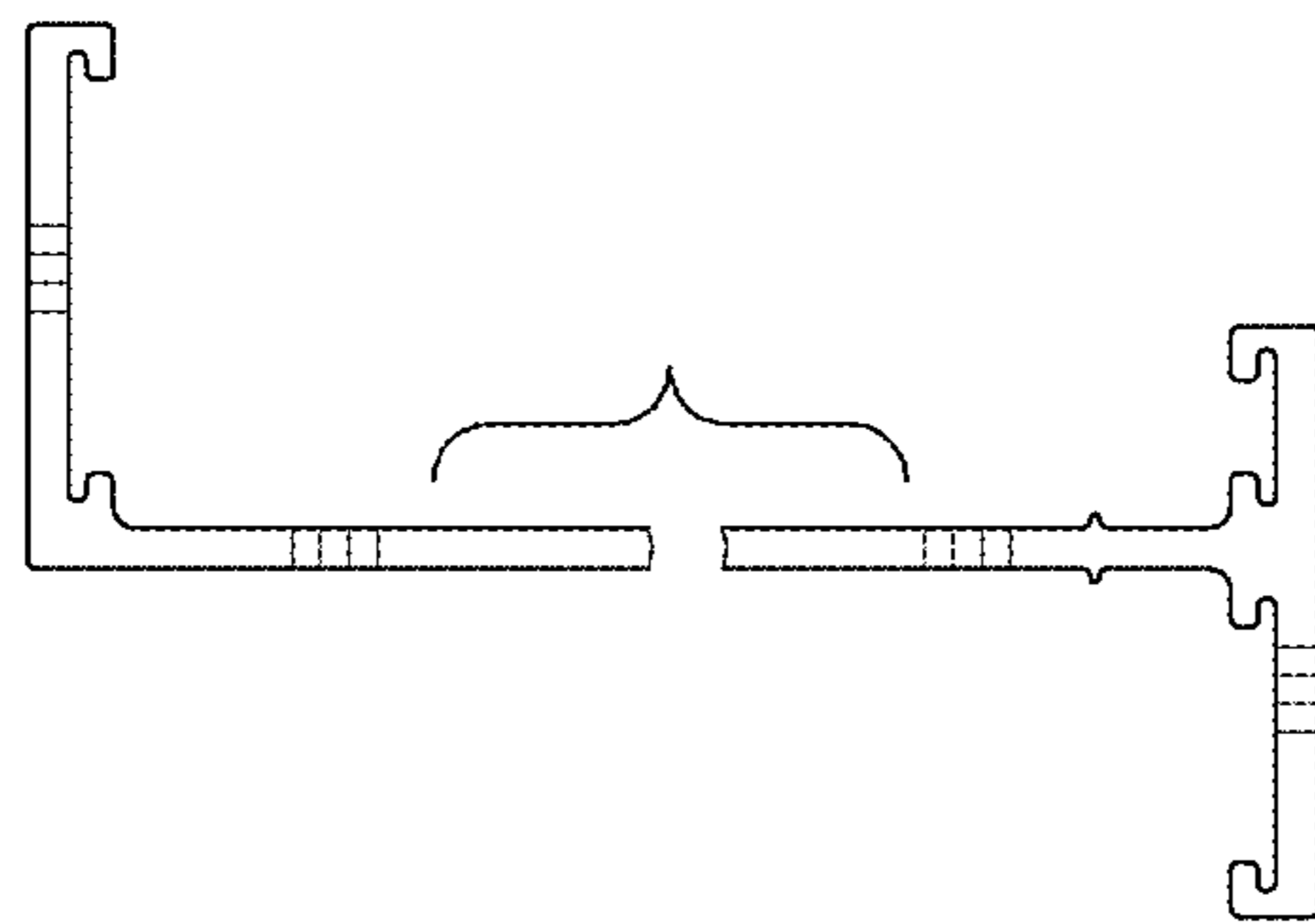


FIG. 4

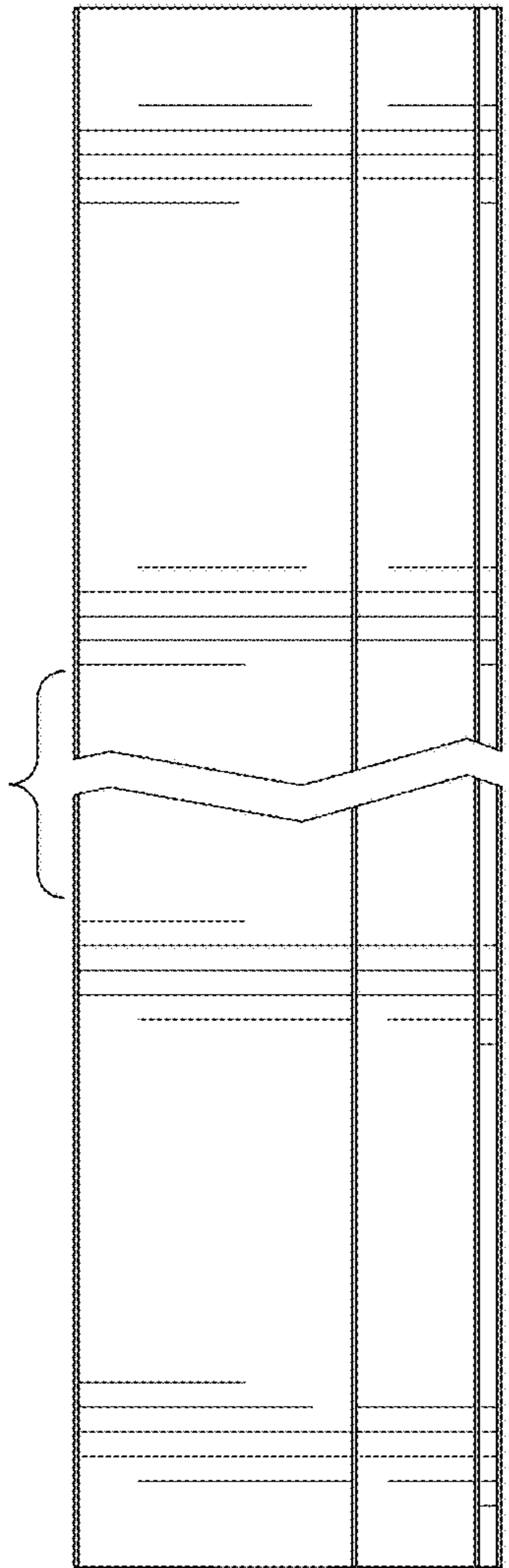


FIG. 6

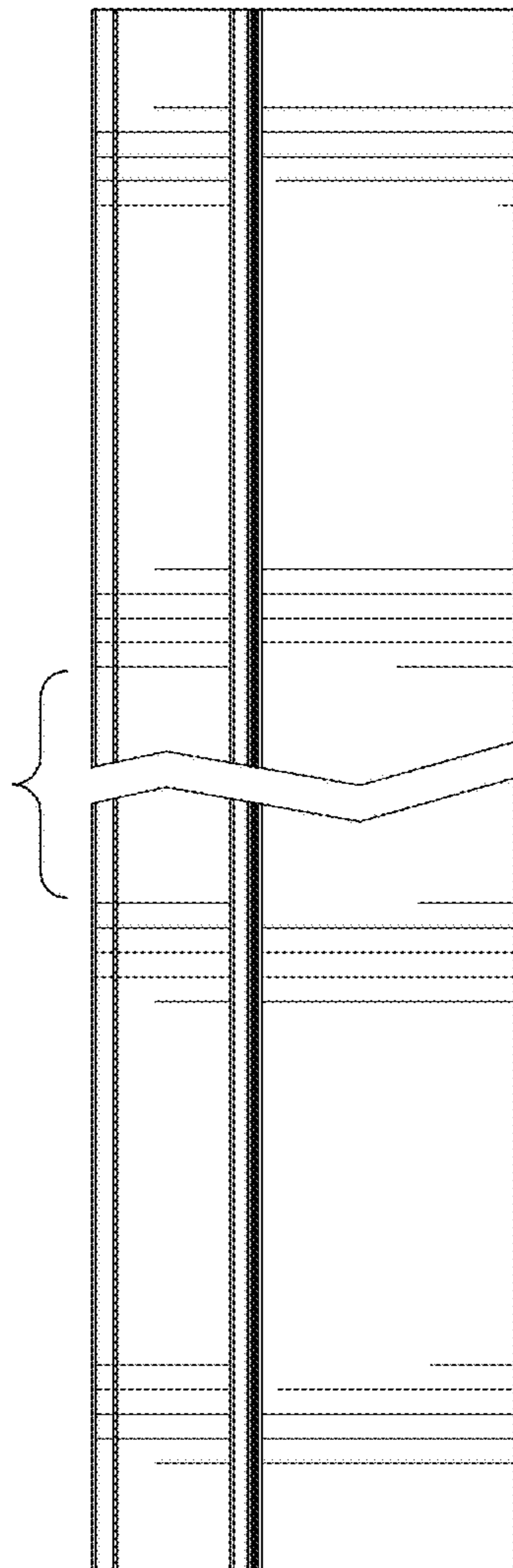


FIG. 7