



US00D824044S

(12) **United States Design Patent**
Walters

(10) **Patent No.:** **US D824,044 S**
(45) **Date of Patent:** **** Jul. 24, 2018**

- (54) **FOOT STEP**
- (71) Applicant: **Shawn T. Walters**, Georgetown, OH
(US)
- (72) Inventor: **Shawn T. Walters**, Georgetown, OH
(US)
- (73) Assignee: **Bullman Outdoors, LLC**, Georgetown,
OH (US)
- (**) Term: **15 Years**
- (21) Appl. No.: **29/603,611**
- (22) Filed: **May 11, 2017**
- (51) **LOC (11) Cl.** **25-04**
- (52) **U.S. Cl.**
USPC **D25/69**
- (58) **Field of Classification Search**
USPC D25/62, 68, 69; 182/134, 136, 221, 189,
182/187, 100, 22, 92, 90, 120
CPC ... A63B 27/00; E06C 7/00; E06C 9/00; E06C
9/04
See application file for complete search history.

- 4,700,807 A * 10/1987 Kubiak A63B 27/00
182/189
- D297,169 S * 8/1988 Trani, Sr. D25/69
- D719,681 S * 12/2014 Gray D25/69
- 2009/0045012 A1* 2/2009 Mencl A63B 27/00
182/92

* cited by examiner

Primary Examiner — Cynthia Ramirez
Assistant Examiner — Gino Colan
(74) *Attorney, Agent, or Firm* — Neal O. Willmann

(57) **CLAIM**

The ornamental design for a foot step, as shown and described.

DESCRIPTION

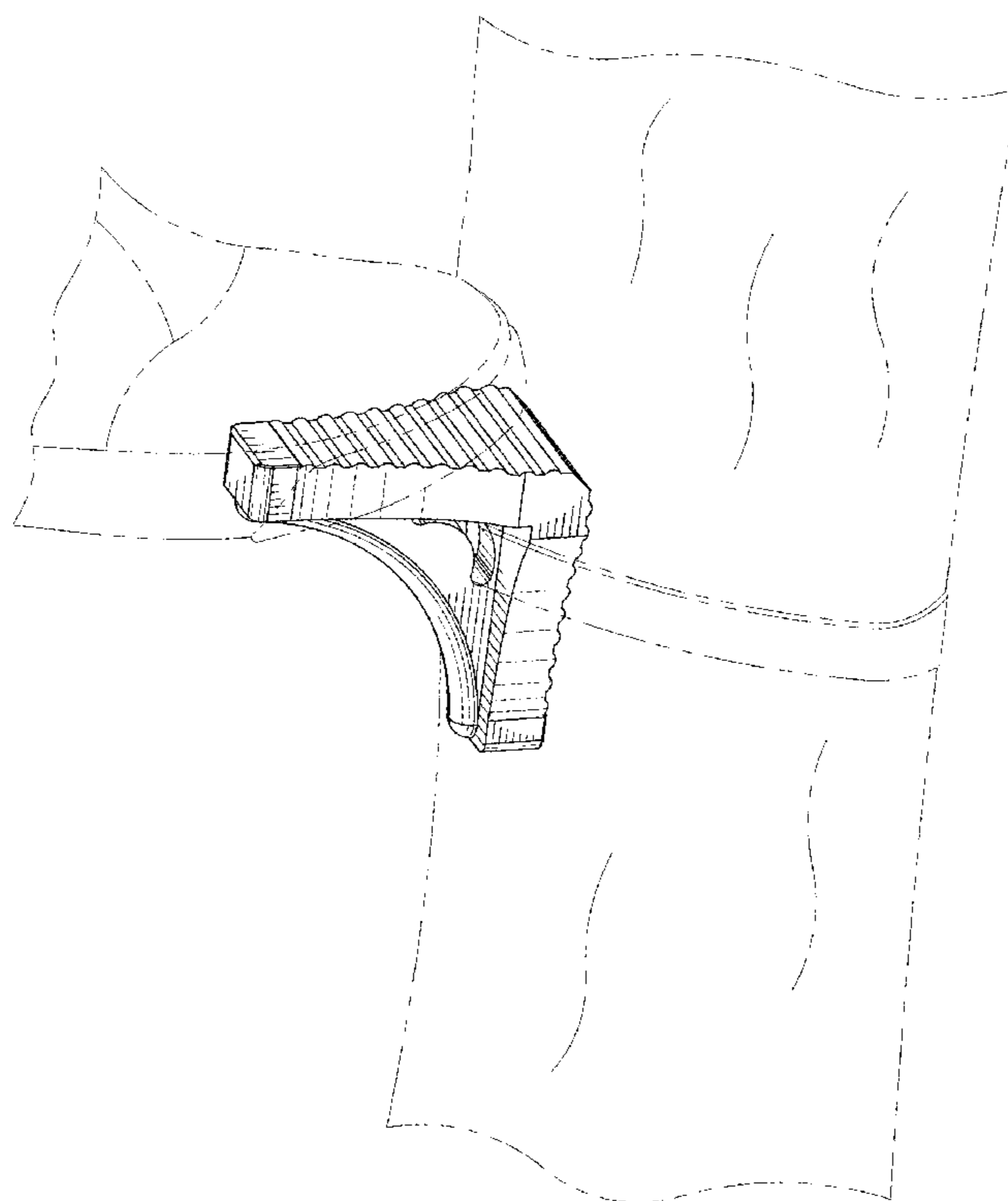
FIG. 1 is an elevated perspective view of a foot step, in its environment, showing my new design;
FIG. 2 is a perspective view from the lower right side of the foot step of FIG. 1;
FIG. 3 is an elevated front view thereof;
FIG. 4 is a back view thereof;
FIG. 5 is an elevated left side view thereof, the right side being a mirror image;
FIG. 6 is a top plan view thereof; and,
FIG. 7 is a bottom plan view thereof.
The broken lines shown in the figures are included for the purpose of illustrating environment and form no part of the claimed design.

(56) **References Cited**

U.S. PATENT DOCUMENTS

- D292,388 S * 10/1987 Weiler D25/62
- 4,697,669 A * 10/1987 Bergsten E06C 9/04
182/189

1 Claim, 7 Drawing Sheets



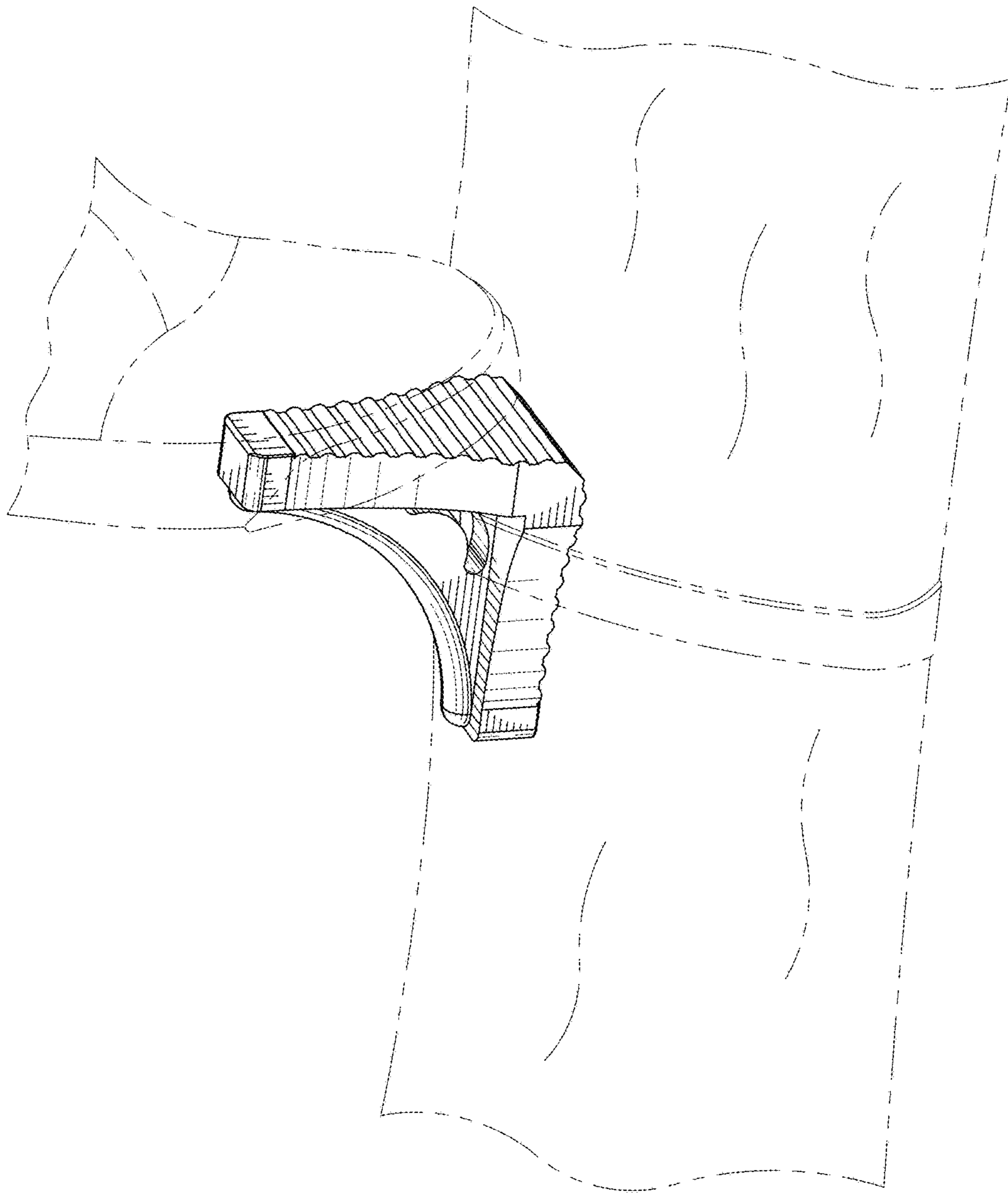


Fig. 1

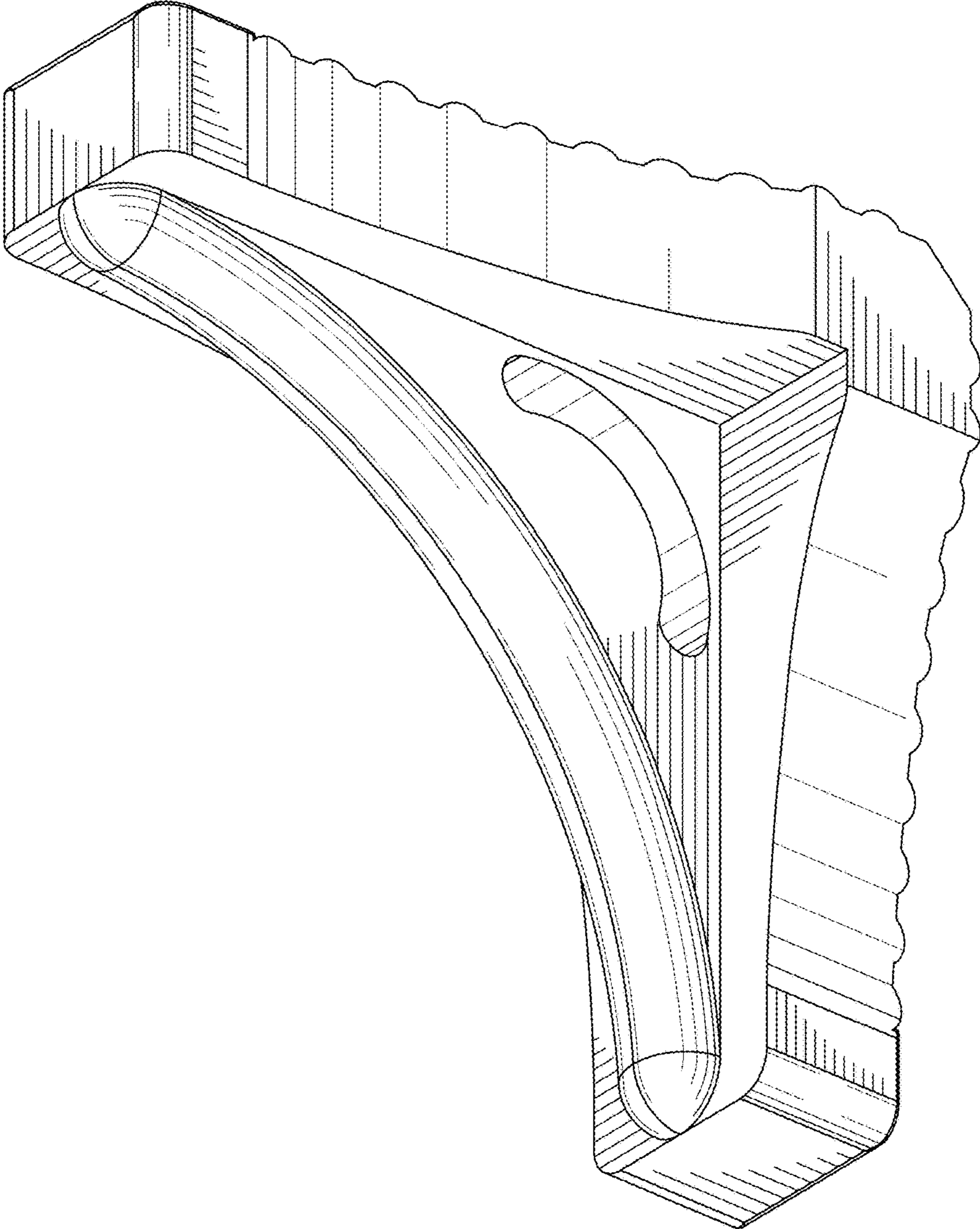


Fig.2

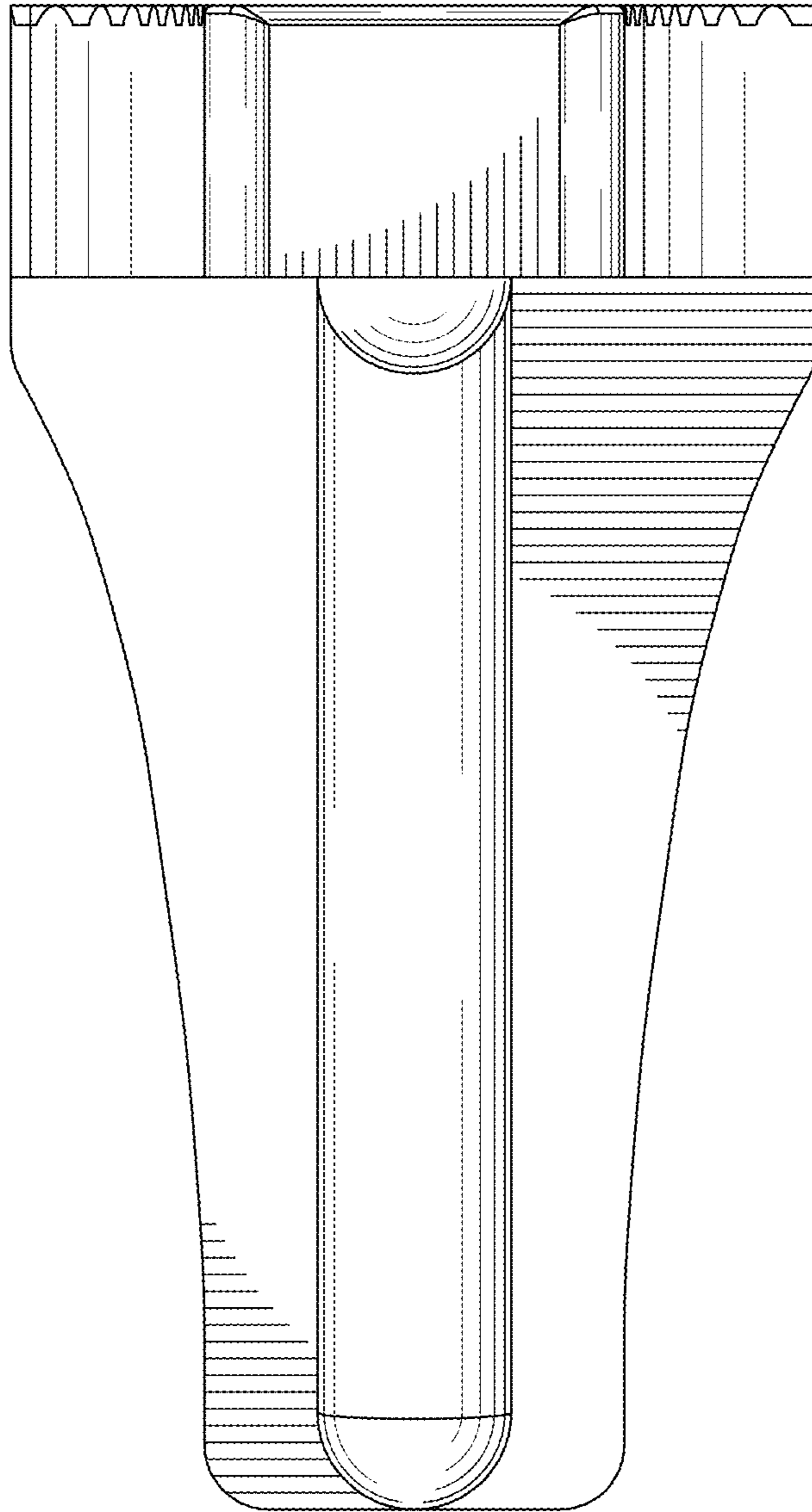


Fig.3

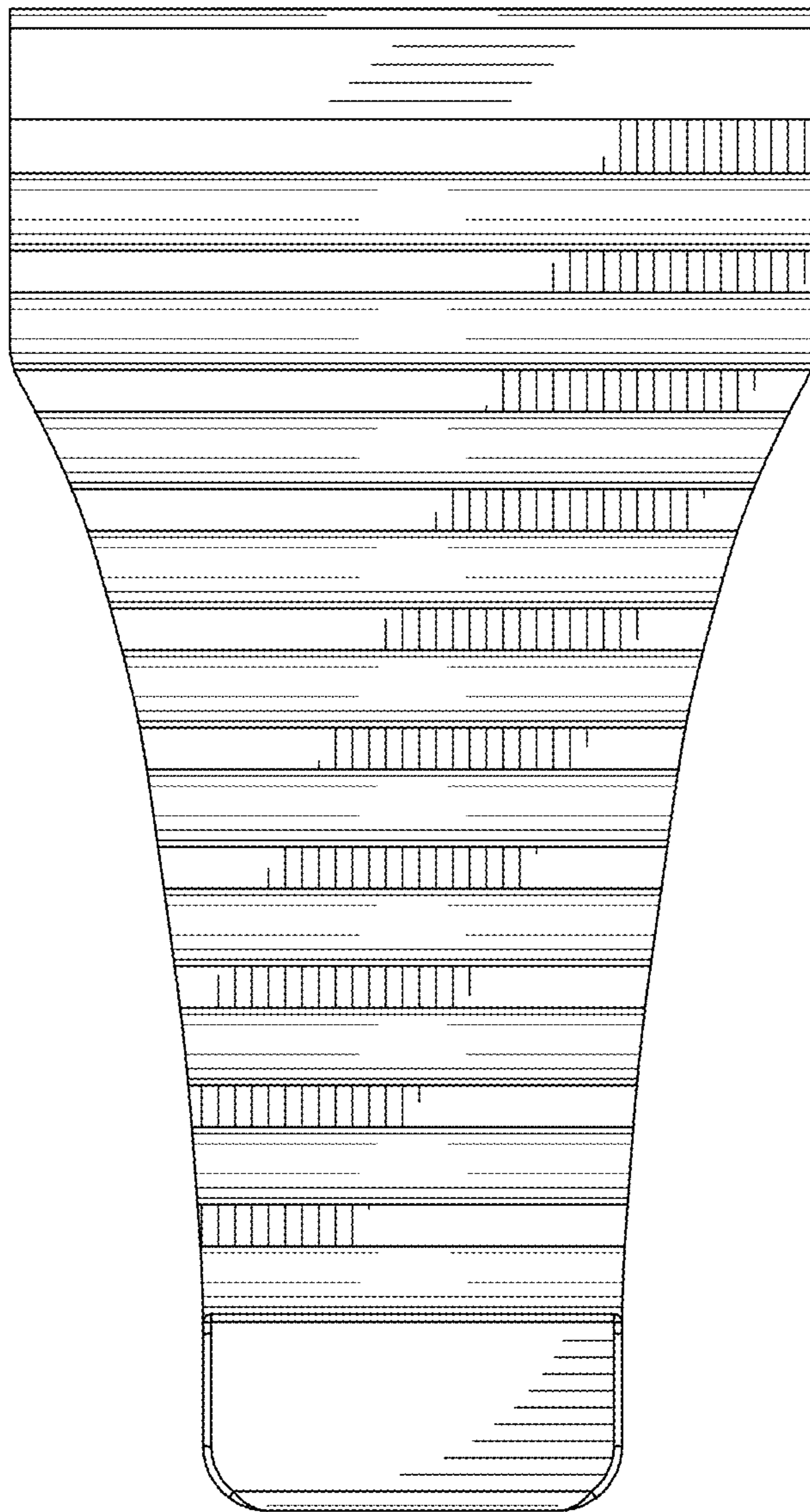


Fig. 4

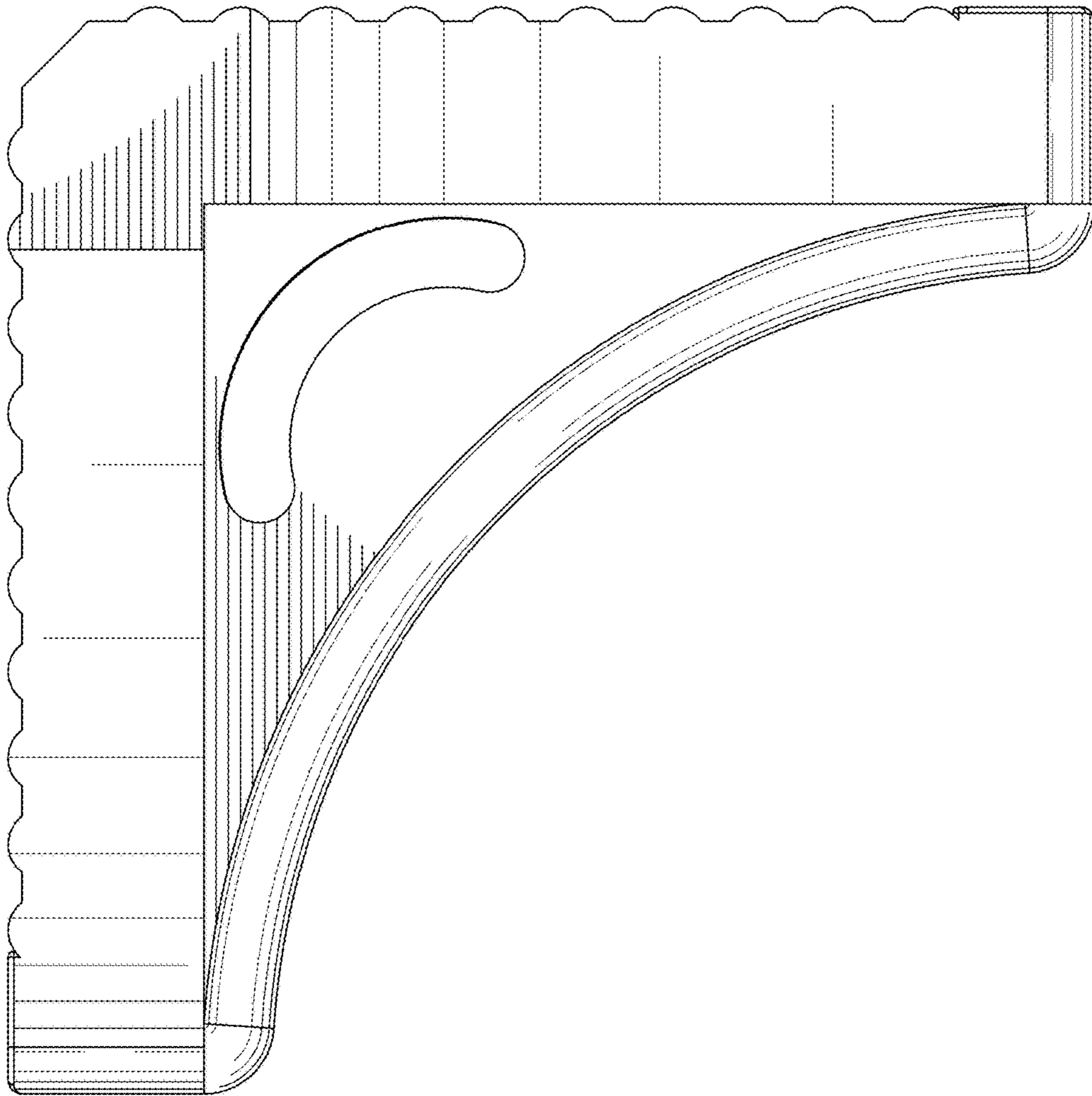


Fig.5

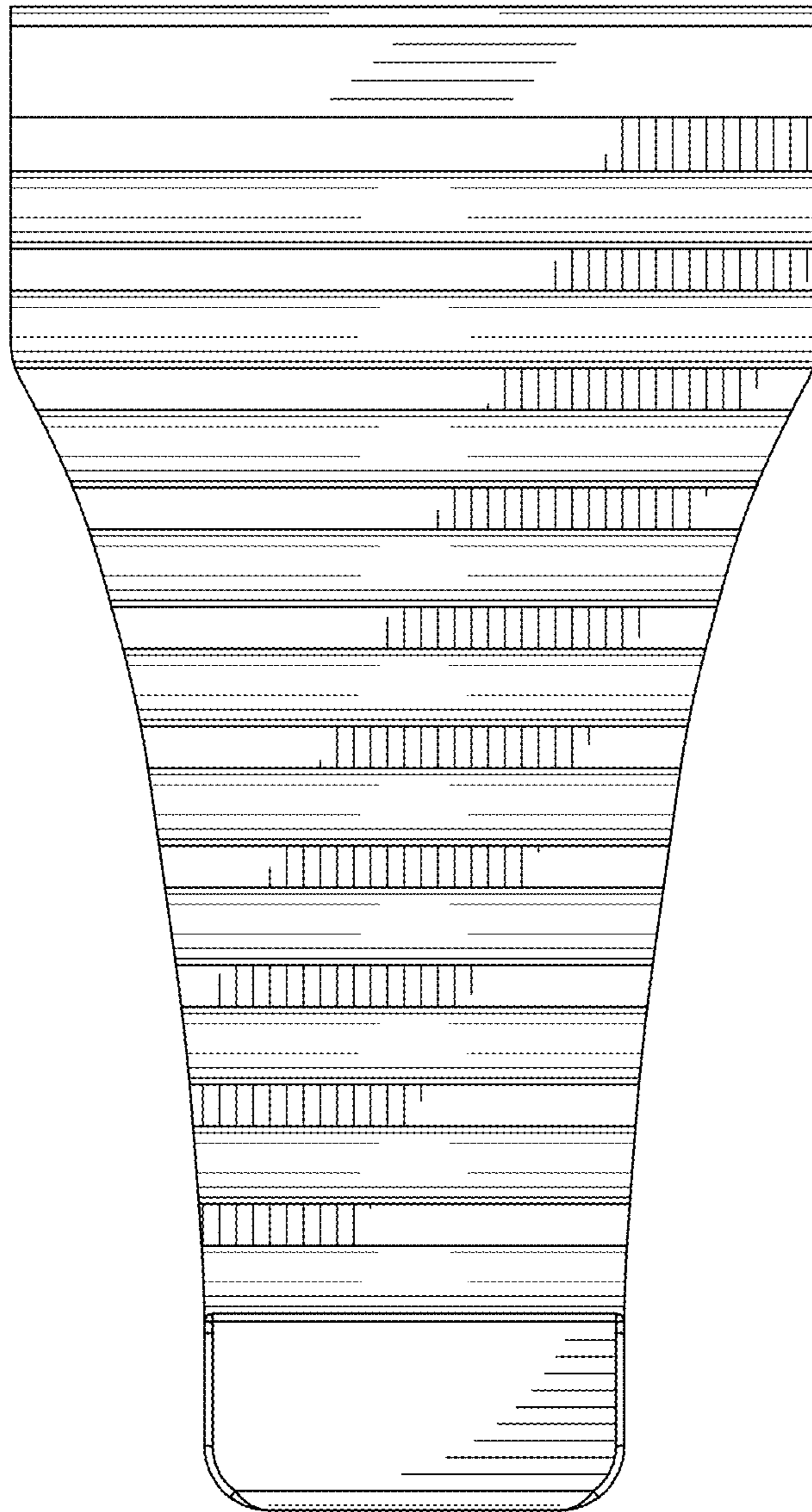


Fig. 6

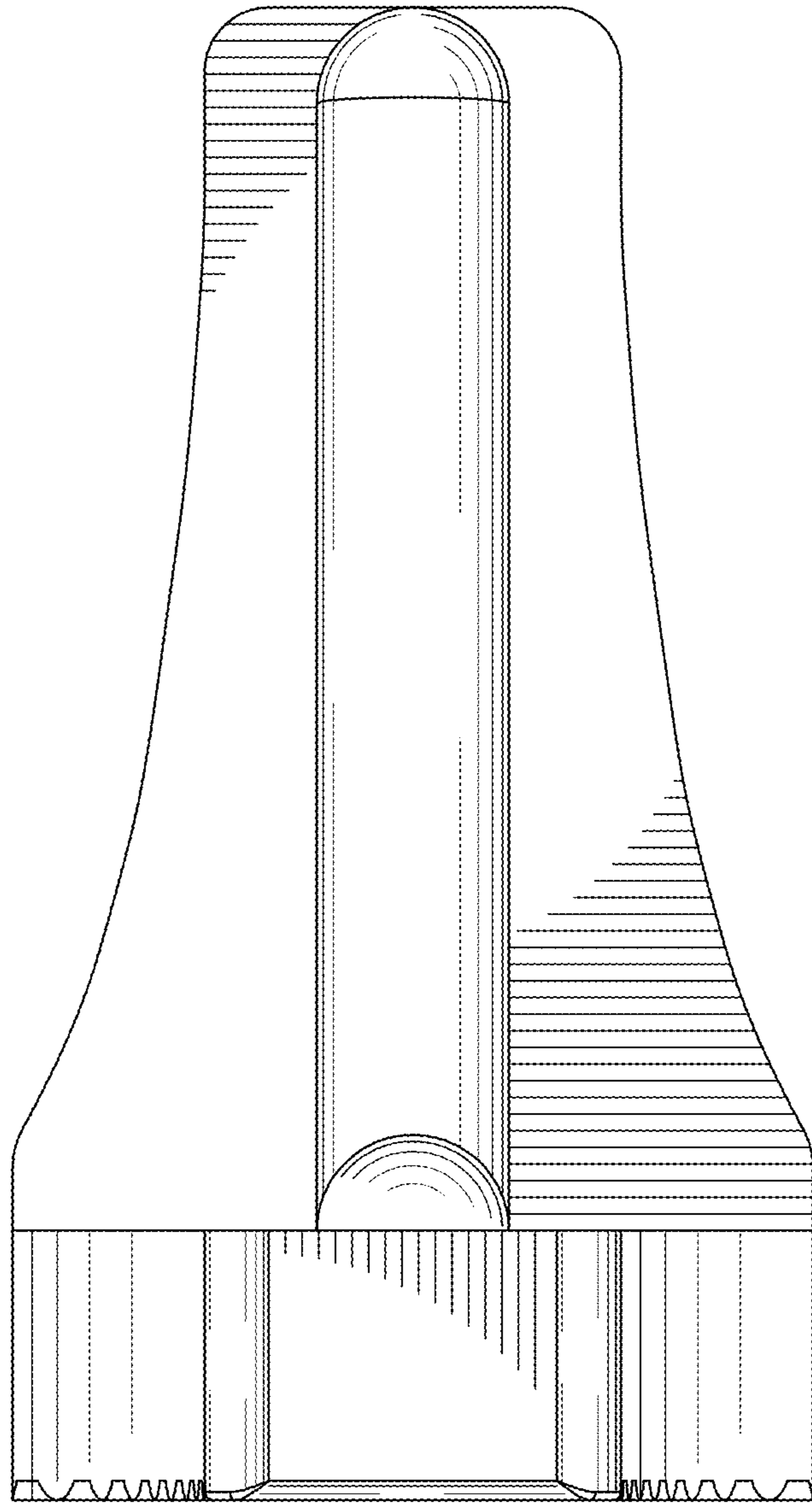


Fig. 7