



US00D824043S

(12) **United States Design Patent** (10) **Patent No.:** **US D824,043 S**  
**Gerhardt** (45) **Date of Patent:** **\*\* Jul. 24, 2018**

(54) **DOOR**

(71) Applicant: **JELD-WEN, Inc.**, Klamath Falls, OR (US)

(72) Inventor: **John T. Gerhardt**, Huntersville, NC (US)

(73) Assignee: **JELD-WEN, Inc.**, Klamath Falls, OR (US)

(\*\*) Term: **15 Years**

(21) Appl. No.: **29/586,089**

(22) Filed: **Nov. 30, 2016**

(51) **LOC (11) Cl.** ..... **25-02**

(52) **U.S. Cl.**  
USPC ..... **D25/48.3**

(58) **Field of Classification Search**  
USPC ..... D25/48.3–48.8, 138  
CPC ... E06B 3/72; E06B 3/78; E06B 3/485; E06B 3/4636; E06B 2003/7044; E06B 1/04; E06B 5/00

See application file for complete search history.

(56) **References Cited**

**U.S. PATENT DOCUMENTS**

D665,100 S *	8/2012	Paxton	.....	D25/48.3
D665,101 S *	8/2012	Paxton	.....	D25/48.3
D676,978 S *	2/2013	Paxton	.....	D25/48.3
D685,109 S *	6/2013	Paxton	.....	D25/48.3
D687,163 S *	7/2013	Paxton	.....	D25/48.3
D704,351 S *	5/2014	Paxton	.....	D25/48.3
D716,473 S *	10/2014	Wysock	.....	D25/48.3
D716,474 S *	10/2014	Wysock	.....	D25/48.3
D740,964 S *	10/2015	Wysock	.....	D25/48.3
D741,504 S *	10/2015	Wysock	.....	D25/48.3
D742,033 S *	10/2015	Wysock	.....	D25/48.3
D753,841 S *	4/2016	Paxton	.....	D25/48.3
D780,324 S *	2/2017	Wysock	.....	D25/48.3

**OTHER PUBLICATIONS**

<https://www.leaderdoors.co.uk/doors-c14/internal-doors-c111/fire-doors-c121/jeld-wen-internal-walnut-inlay-heavyweight-4-panel-44mm-fire-door-p49356> Retrieved Aug. 10, 2017.\*  
JB Kind Doors Brochure, Door Collection 2016, downloaded from www.jbkind.com on Nov. 30, 2016, 43 pages.

\* cited by examiner

*Primary Examiner* — Susan Bennett Hattan

*Assistant Examiner* — Leanne Was-Englehart

(74) *Attorney, Agent, or Firm* — Stoel Rives LLP

(57) **CLAIM**

I claim the ornamental design for a door, as shown and described.

**DESCRIPTION**

FIG. 1 is an isometric view of a door, according to a first embodiment.

FIG. 2 is a front view of the door of FIG. 1, of which a back view is identical.

FIG. 3 is a top view of the door of FIG. 1, of which a bottom view is identical.

FIG. 4 is a right side view of the door of FIG. 1, of which a left side view is identical.

FIG. 5 is an enlarged fragmentary view taken from a detail of the door of FIG. 1.

FIG. 6 is an isometric view of a door, according to a second embodiment.

FIG. 7 is a front view of the door of FIG. 6, of which a back view is identical.

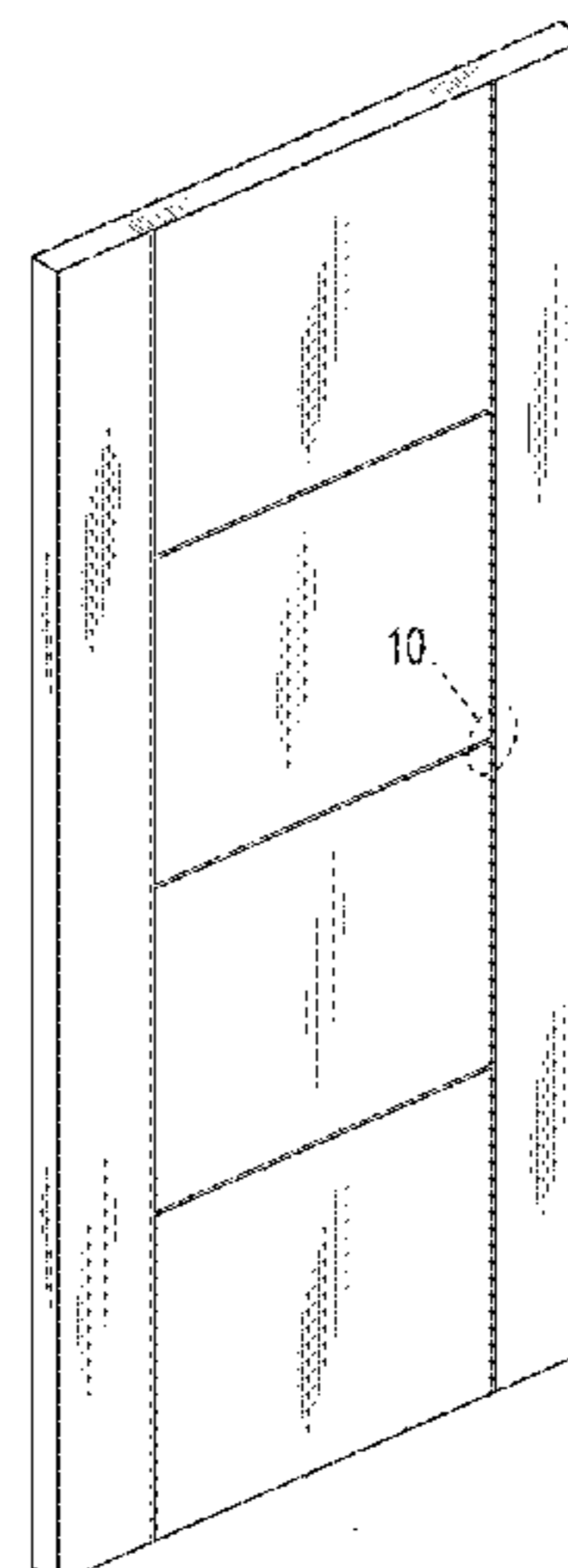
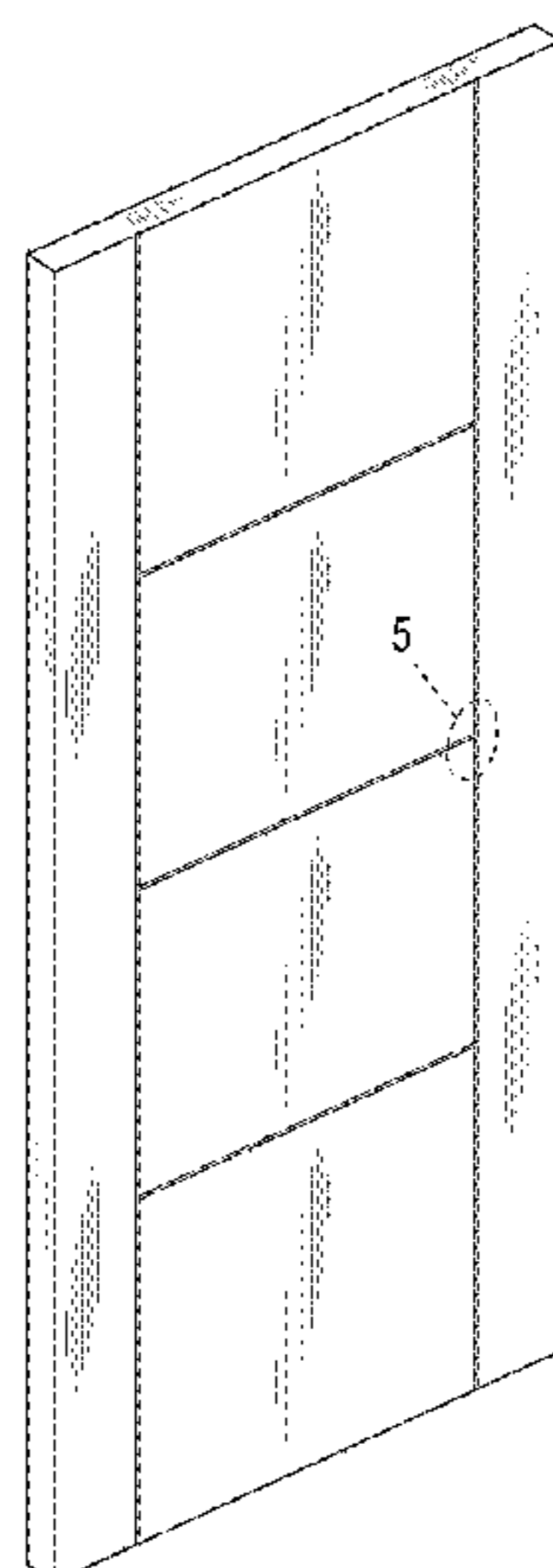
FIG. 8 is a top view of the door of FIG. 6, of which a bottom view is identical.

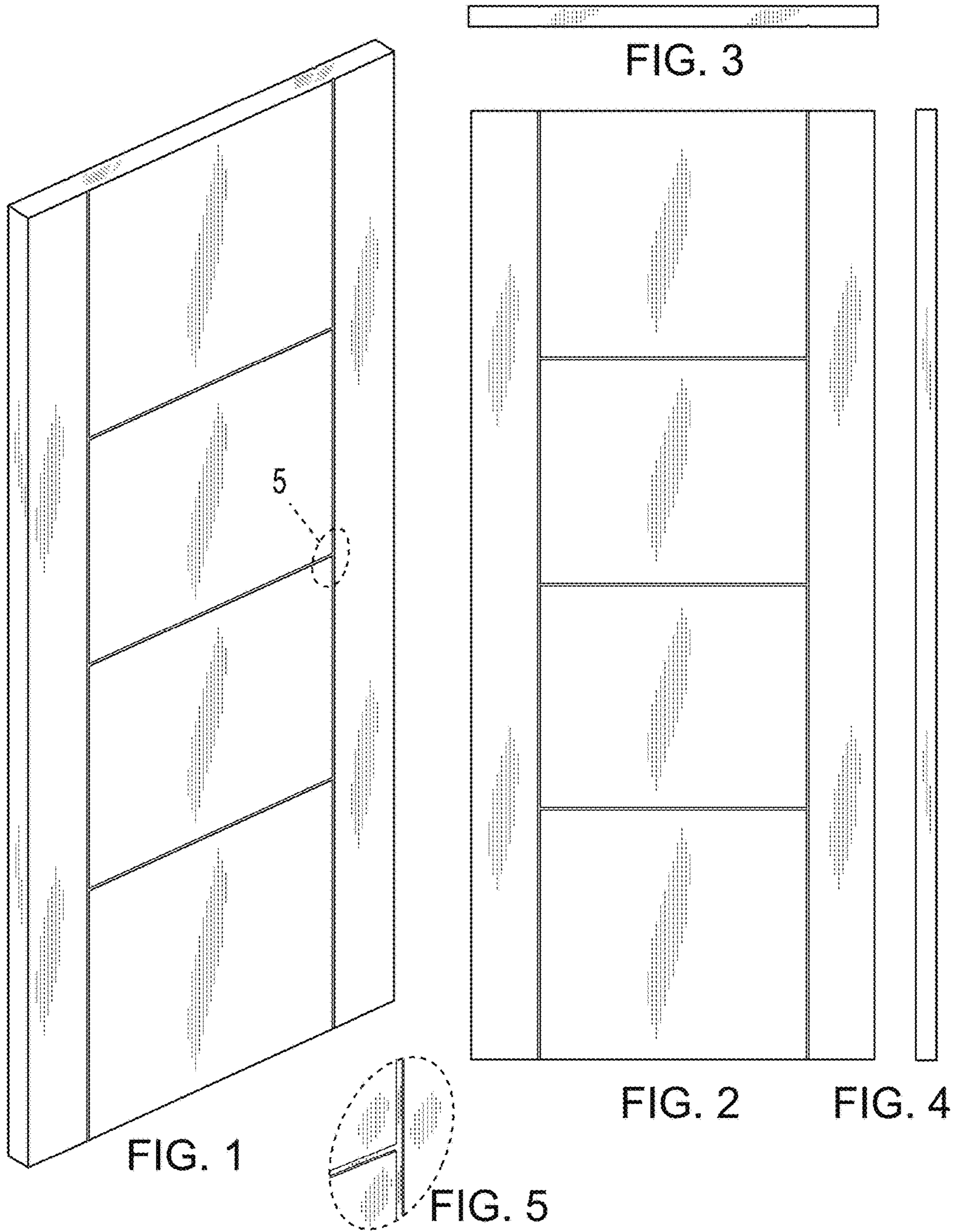
FIG. 9 is a right side view of the door of FIG. 6, of which a left side view is identical; and,

FIG. 10 is an enlarged fragmentary view taken from a detail of the door of FIG. 6.

The broken lines depict the limits of and lead lines for the enlarged view and form no part of the claimed design.

**1 Claim, 2 Drawing Sheets**





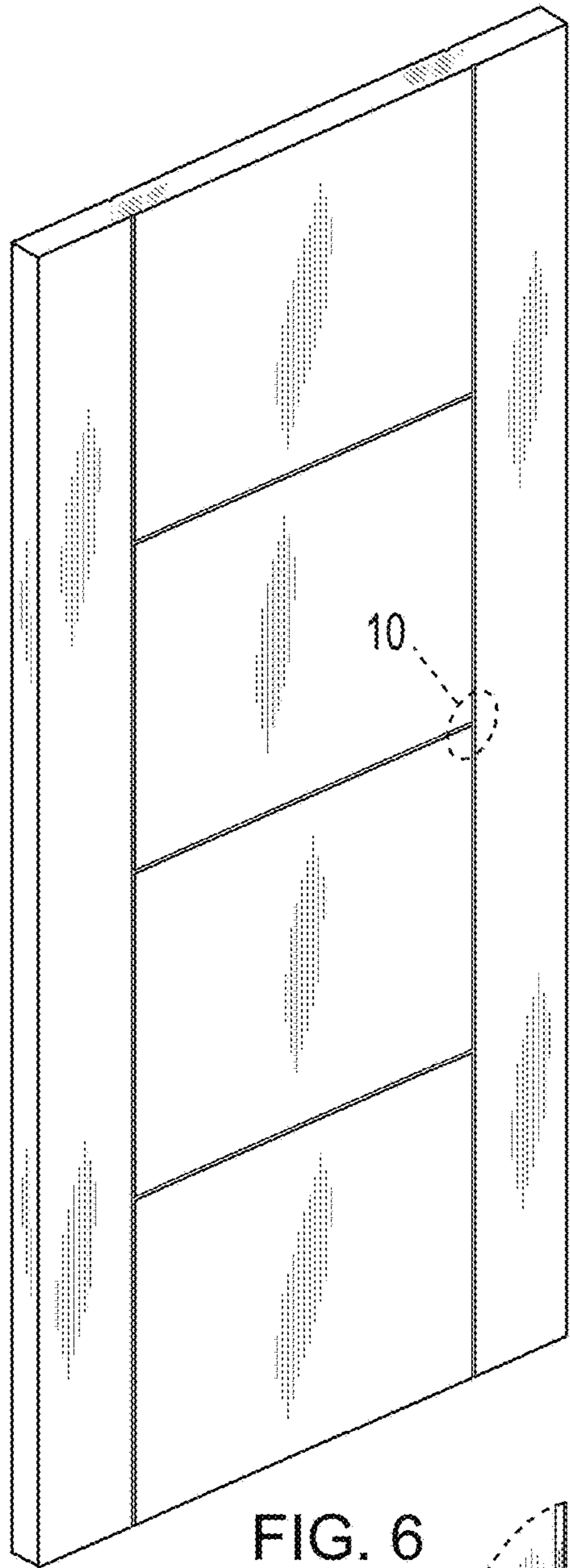


FIG. 6

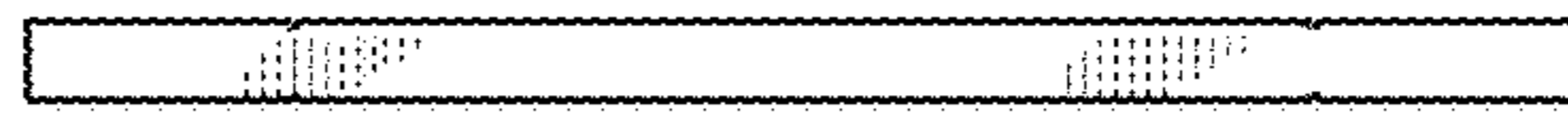


FIG. 8

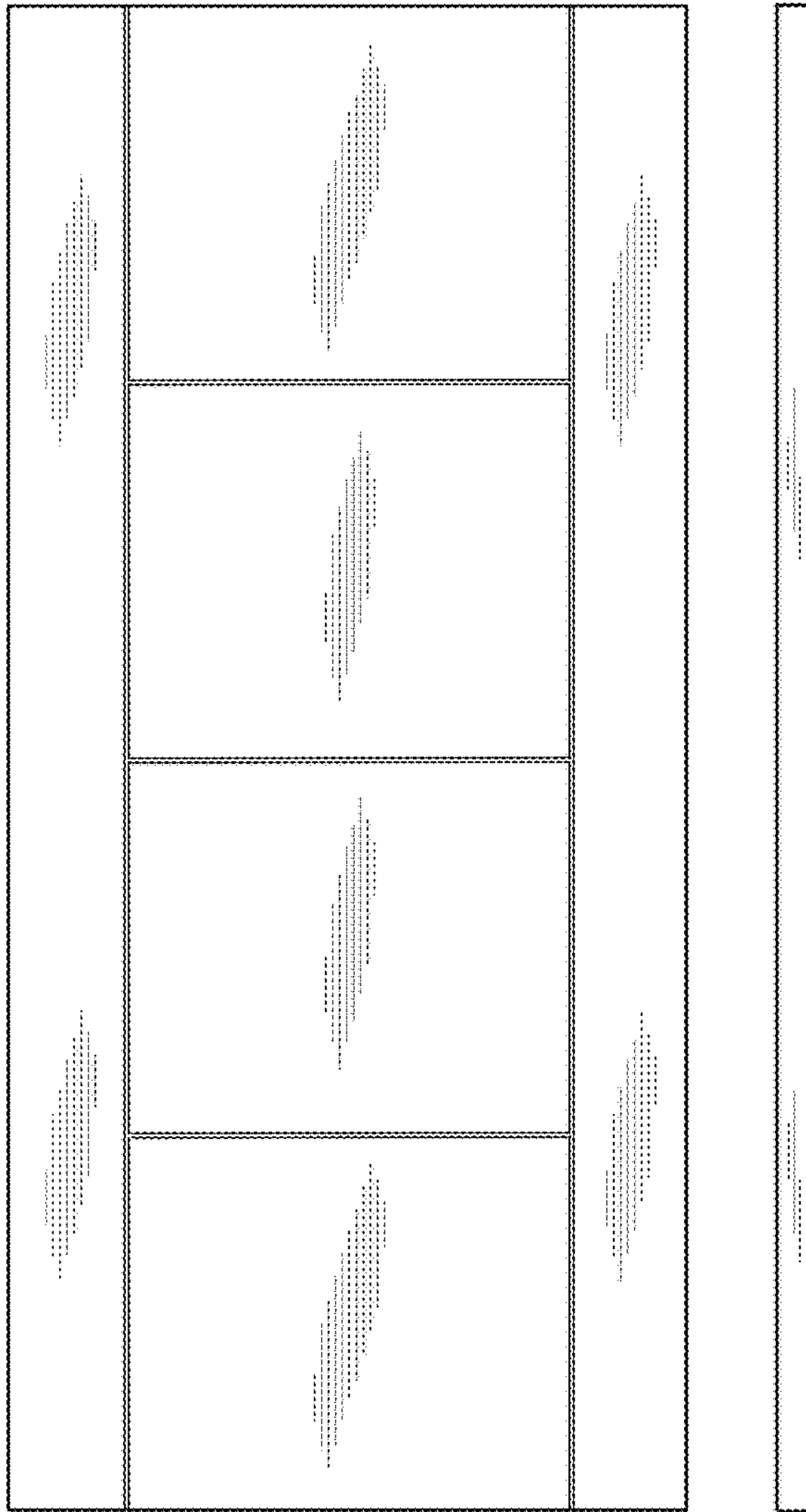


FIG. 7

FIG. 9

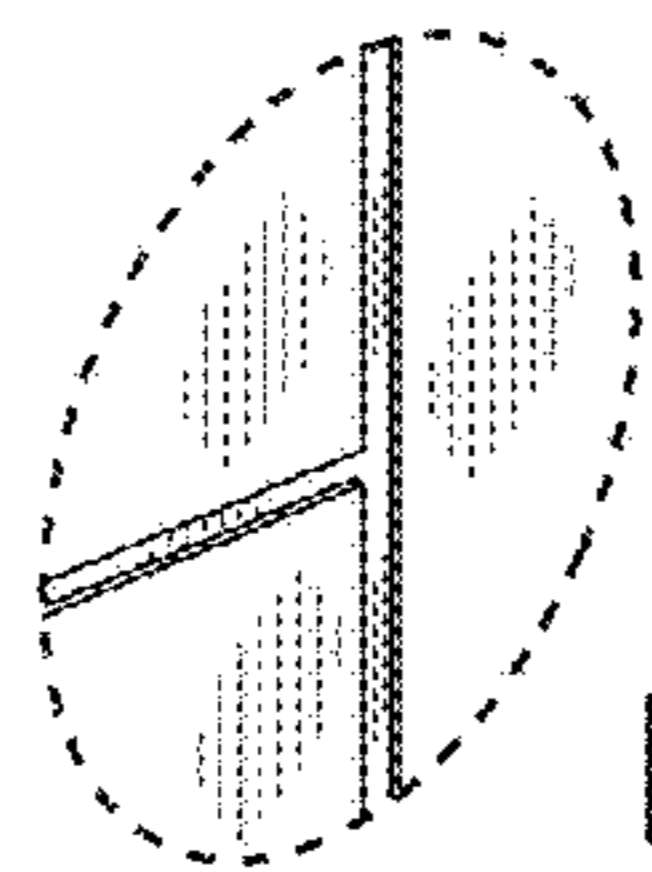


FIG. 10