



US00D824041S

(12) **United States Design Patent**  
**Tajima**

(10) **Patent No.:** **US D824,041 S**

(45) **Date of Patent:** **\*\* Jul. 24, 2018**

(54) **PHOTOMETRIC REACTION CONTAINER**

(71) Applicant: **Universal Bio Research Co., Ltd.**,  
Matsudo-shi, Chiba (JP)

(72) Inventor: **Hideji Tajima**, Matsudo (JP)

(73) Assignee: **UNIVERSAL BIO RESEARCH CO., LTD.**,  
Matsudo-Shi, Chiba (JP)

(\*\*) Term: **15 Years**

(21) Appl. No.: **29/570,178**

(22) Filed: **Jul. 6, 2016**

(30) **Foreign Application Priority Data**

Jan. 12, 2016 (JP) ..... 2016-000444

(51) **LOC (11) Cl.** ..... **24-02**

(52) **U.S. Cl.**  
USPC ..... **D24/224**

(58) **Field of Classification Search**  
USPC ..... D24/169, 216, 223-227, 230, 232-233;  
D10/81; 422/64, 68.1, 72-73, 400-401,  
422/404, 408, 412, 417, 422, 500,  
422/502-506, 552, 554, 559, 562;  
436/165-166, 180, 501, 518; 435/283.1,  
435/287.1, 287.2, 288.5, 288.7, 6.11,  
435/289.1, 6.12, 29, 34, 4-5, 6.19, 7.1,  
435/1.2; 204/403.01, 411, 450-453, 601;  
356/246; 506/7, 9, 13, 18, 32, 33, 39;  
73/864.91

CPC ..... A61B 10/0045; A61B 10/0096; A01N  
1/0247; B01D 19/0031; B01J 19/0046;  
B01J 19/0093; B01L 7/52; B01L 7/525;  
B01L 7/5255; B01L 9/52; B01L 9/523;  
B01L 9/527; B29C 66/61; C12M 23/16;  
C12Q 1/40; C12Q 1/686; C12Q 1/6813;  
C12Q 1/6837; G01N 1/36; G01N  
15/1484; G01N 21/01; G01N 21/03;  
G01N 21/07; G01N 21/6428; G01N  
21/8483; G01N 21/00029; G01N  
21/6452; G01N 21/6458; G01N 21/78;

G01N 21/253; G01N 21/658; G01N  
27/4145; G01N 27/44717; G01N 33/00;  
G01N 33/00029; G01N 33/94; G01N  
33/558; G01N 33/54366; G01N 33/53;  
G01N 33/5438; G01N 33/54386; G01N  
33/5302

See application file for complete search history.

(56) **References Cited**

U.S. PATENT DOCUMENTS

D244,555 S \* 5/1977 Wiedmann ..... D24/224  
D254,445 S \* 3/1980 Boghosian ..... D24/224  
4,314,570 A \* 2/1982 Sarstedt ..... B01L 3/021  
422/561

(Continued)

*Primary Examiner* — Ian Simmons

*Assistant Examiner* — Mark Cavanna

(74) *Attorney, Agent, or Firm* — Haynes and Boone, LLP

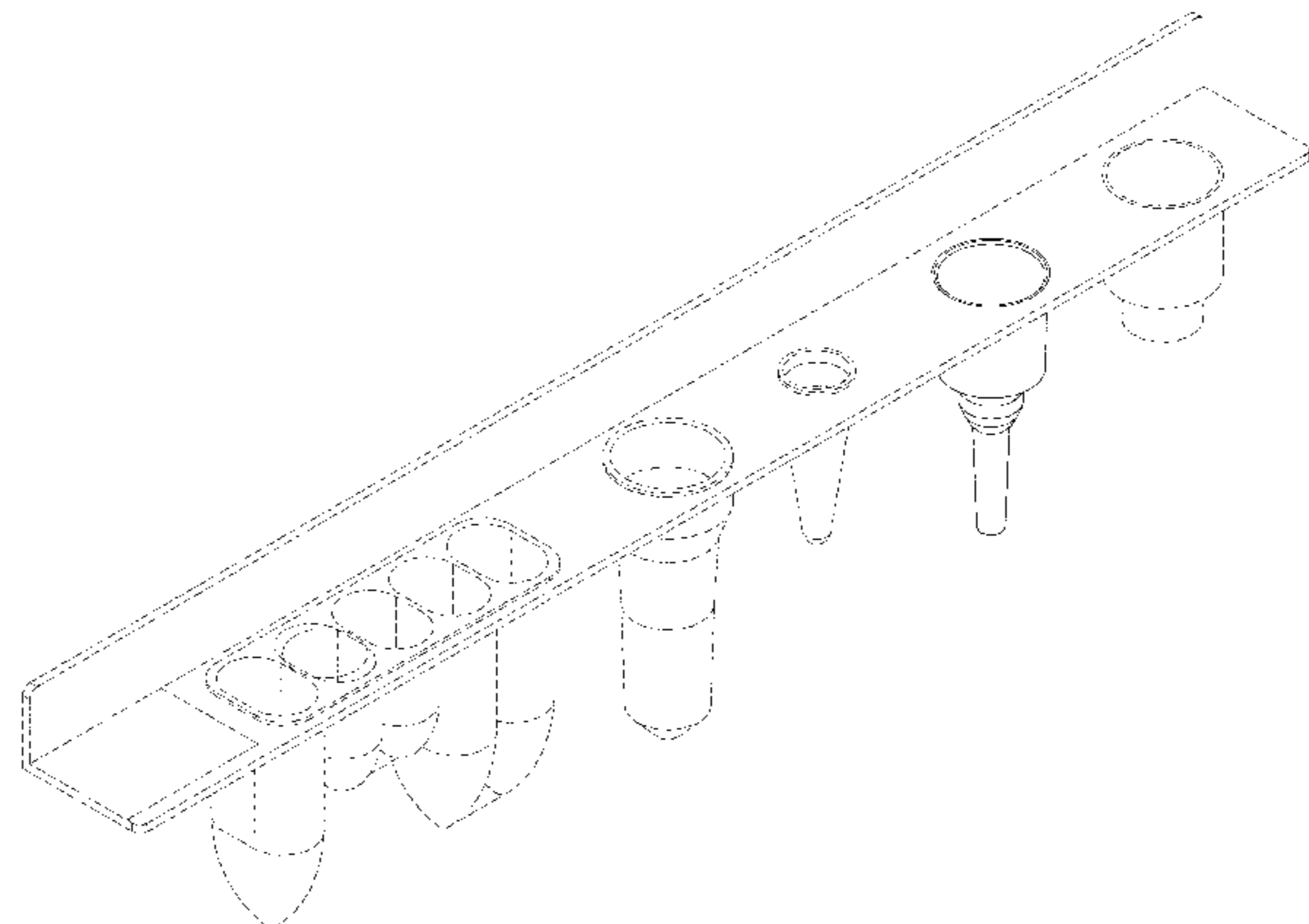
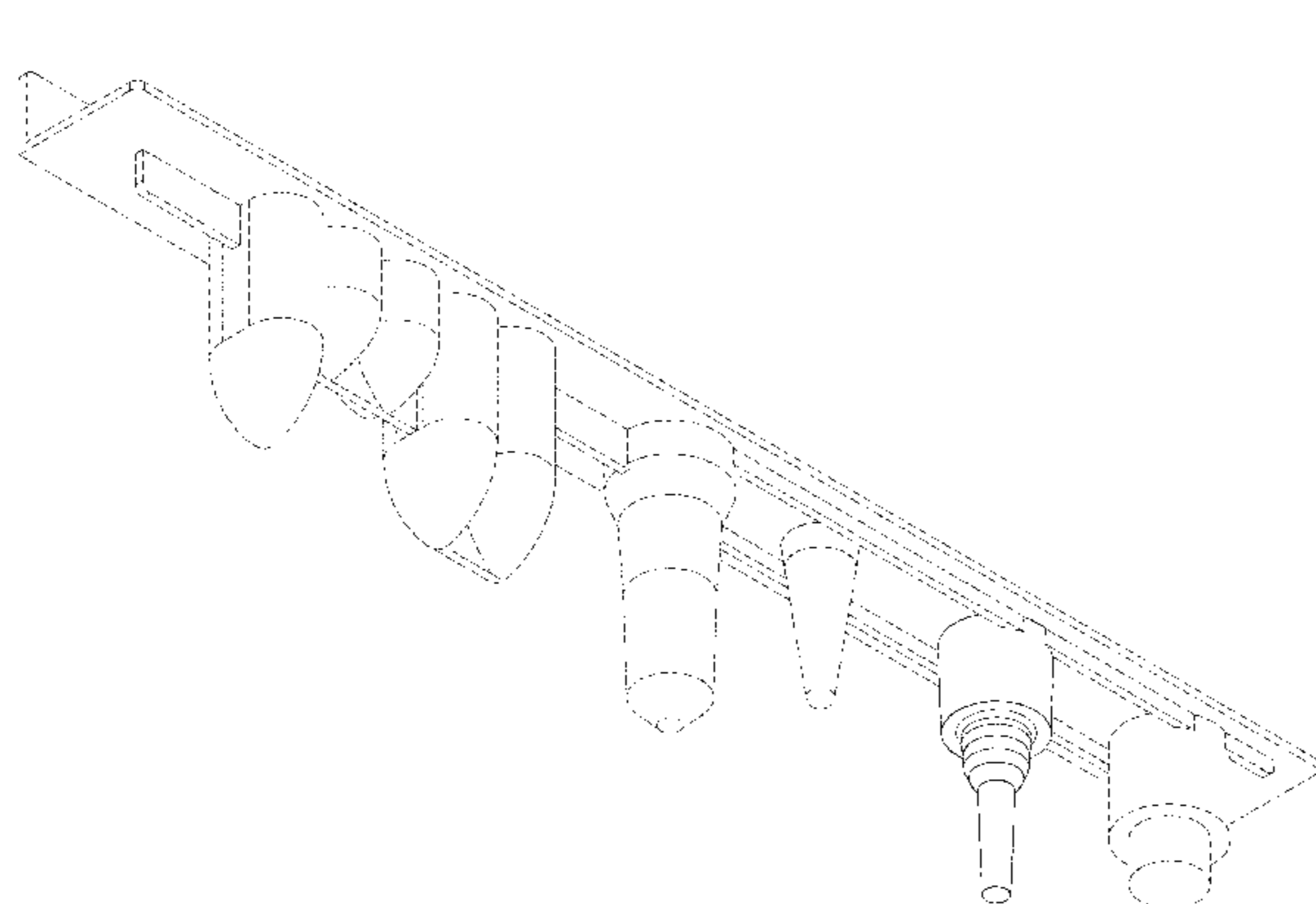
(57) **CLAIM**

The ornamental design for a photometric reaction container,  
as shown and described.

**DESCRIPTION**

FIG. 1 is a perspective view of a photometric reaction  
container showing my new design;  
FIG. 2 is another perspective view thereof;  
FIG. 3 is a side view thereof;  
FIG. 4 is a side view thereof at an enlarged scale relative to  
FIGS. 1-3;  
FIG. 5 is a sectional view thereof at an enlarged scale  
relative to FIGS. 1-3 and taken along line 5-5 of FIG. 4;  
FIG. 6 is a top view thereof at an enlarged scale relative to  
FIGS. 1-3; and,  
FIG. 7 is a bottom view thereof at an enlarged scale relative  
to FIGS. 1-3.  
The broken lines in FIGS. 1-4 form no part of the claimed  
design.

**1 Claim, 6 Drawing Sheets**



(56)

## References Cited

## U.S. PATENT DOCUMENTS

D281,534 S *	11/1985	Ushikubo	.....	D24/224	8,636,033 B2 *	1/2014	Jung	.....	B01L 3/502738 436/180
D285,115 S *	8/1986	Proud	.....	D24/224	8,663,582 B2 *	3/2014	Kuan	.....	B01L 3/5085 422/554
D286,072 S *	10/1986	Miller	.....	D24/224	D702,364 S *	4/2014	Iqbal	.....	D24/225
D292,229 S *	10/1987	Knudson	.....	D24/223	8,749,787 B2 *	6/2014	Shiraishi	.....	G01N 21/6428 250/363.01
D300,561 S *	4/1989	Asa	.....	D24/112	D709,624 S *	7/2014	Baum	.....	D24/224
D326,322 S *	5/1992	Clegg	.....	D24/112	8,778,279 B2 *	7/2014	Durack	.....	B01L 3/5027 422/407
D327,950 S *	7/1992	James	.....	D24/224	D716,965 S *	11/2014	Fruscella	.....	D24/224
D330,428 S *	10/1992	Lewis	.....	D24/224	8,889,086 B2 *	11/2014	Viljoen	.....	B01L 3/50825 422/549
D342,793 S *	12/1993	Balmer	.....	D24/224	8,921,095 B2 *	12/2014	Tajima	.....	B01L 3/0275 422/405
D343,905 S *	2/1994	Nagata	.....	D24/224	8,940,231 B2 *	1/2015	Hiramatsu	.....	B01L 3/545 436/180
D351,913 S *	10/1994	Hieb	.....	D24/169	8,951,472 B2 *	2/2015	Kellner	.....	G01N 21/6428 422/68.1
5,482,864 A *	1/1996	Knobel	.....	G01N 35/109 422/562	9,034,279 B2 *	5/2015	Lee	.....	G01N 33/54366 422/503
D380,555 S *	7/1997	Kurosaki	.....	D24/224	D733,910 S *	7/2015	Lohn	.....	D24/222
D383,214 S *	9/1997	Brennan	.....	D24/224	D735,787 S *	8/2015	Hassan	.....	D15/144
D387,425 S *	12/1997	Niedospial	.....	D24/108	D743,045 S *	11/2015	Trump	.....	D24/224
D401,697 S *	11/1998	Cloonan	.....	D24/224	9,222,954 B2 *	12/2015	Lentz	.....	B01L 3/527
D414,562 S *	9/1999	Tajima	.....	D24/222	9,274,055 B2 *	3/2016	Tedetti	.....	G01N 21/645
D425,625 S *	5/2000	Niermann	.....	D24/122	D764,679 S *	8/2016	Franciskovich	.....	D24/224
D438,981 S *	3/2001	Rainin	.....	D24/222	9,435,718 B2 *	9/2016	Thomas	.....	G01N 1/28
D448,853 S *	10/2001	Rainin	.....	D24/222	9,513,473 B2 *	12/2016	Cooper	.....	G01N 21/6458
D449,894 S *	10/2001	Novitsky	.....	D10/81	D777,341 S *	1/2017	Oguro	.....	D24/224
6,461,808 B1 *	10/2002	Bodner	.....	G01N 22/00 422/555	9,541,478 B2 *	1/2017	Lea	.....	G01N 1/34
D470,595 S *	2/2003	Crisanti	.....	D24/216	D781,436 S *	3/2017	Suzuki	.....	D24/226
D487,593 S *	3/2004	Sarna	.....	D24/222	9,701,957 B2 *	7/2017	Wilson	.....	C12N 15/1013
D511,214 S *	11/2005	Sasano	.....	D10/103	2007/0117217 A1 *	5/2007	Lal	.....	G01N 21/648 436/513
D580,069 S *	11/2008	Lee	.....	D24/114	2008/0078258 A1 *	4/2008	Price	.....	B01L 3/0279 73/864.01
D583,058 S *	12/2008	Short	.....	D24/162	2009/0155877 A1 *	6/2009	Iliescu	.....	B01L 3/502707 435/173.7
D583,481 S *	12/2008	Yamamoto	.....	D24/224	2011/0312797 A1 *	12/2011	Moini	.....	B01L 3/5027 506/39
D601,712 S *	10/2009	Tajima	.....	D24/222	2013/0130262 A1 *	5/2013	Battrell	.....	B01L 3/50273 435/6.12
D618,820 S *	6/2010	Wilson	.....	D24/227	2013/0344613 A1 *	12/2013	Li	.....	G01N 21/276 436/172
7,727,371 B2 *	6/2010	Kennedy	.....	B01L 9/527 422/502	2014/0134620 A1 *	5/2014	Tajima	.....	G01N 35/02 435/6.11
7,859,670 B2 *	12/2010	Kim	.....	G01N 21/645 356/417	2014/0193857 A1 *	7/2014	Gray	.....	B01L 3/5021 435/91.2
D631,169 S *	1/2011	Cheeley	.....	D24/224	2016/0274093 A1 *	9/2016	Earl	.....	G01N 33/54366
7,906,767 B2 *	3/2011	Furlan	.....	G01N 21/6452 250/363.01	2016/0318014 A1 *	11/2016	Tubbs	.....	B01L 3/0275
D652,148 S *	1/2012	Matsuura	.....	D24/224	2017/0205332 A1 *	7/2017	Ayliffe	.....	G01N 21/645
D653,981 S *	2/2012	Beaudet	.....	D10/81					
D663,434 S *	7/2012	Cao	.....	D24/216					
D669,597 S *	10/2012	Cavada	.....	D24/216					
8,313,713 B2 *	11/2012	Jacobs	.....	G01N 21/0303 422/554					
D672,052 S *	12/2012	Bucher	.....	D24/224					
D672,881 S *	12/2012	Kraihanzel	.....	D24/224					
D672,882 S *	12/2012	Wiltsie	.....	D24/224					
D674,112 S *	1/2013	Demas	.....	D24/226					
D679,828 S *	4/2013	Motadel	.....	D24/222					
D687,563 S *	8/2013	Tamura	.....	D24/222					
D688,385 S *	8/2013	Trump	.....	D24/224					

\* cited by examiner

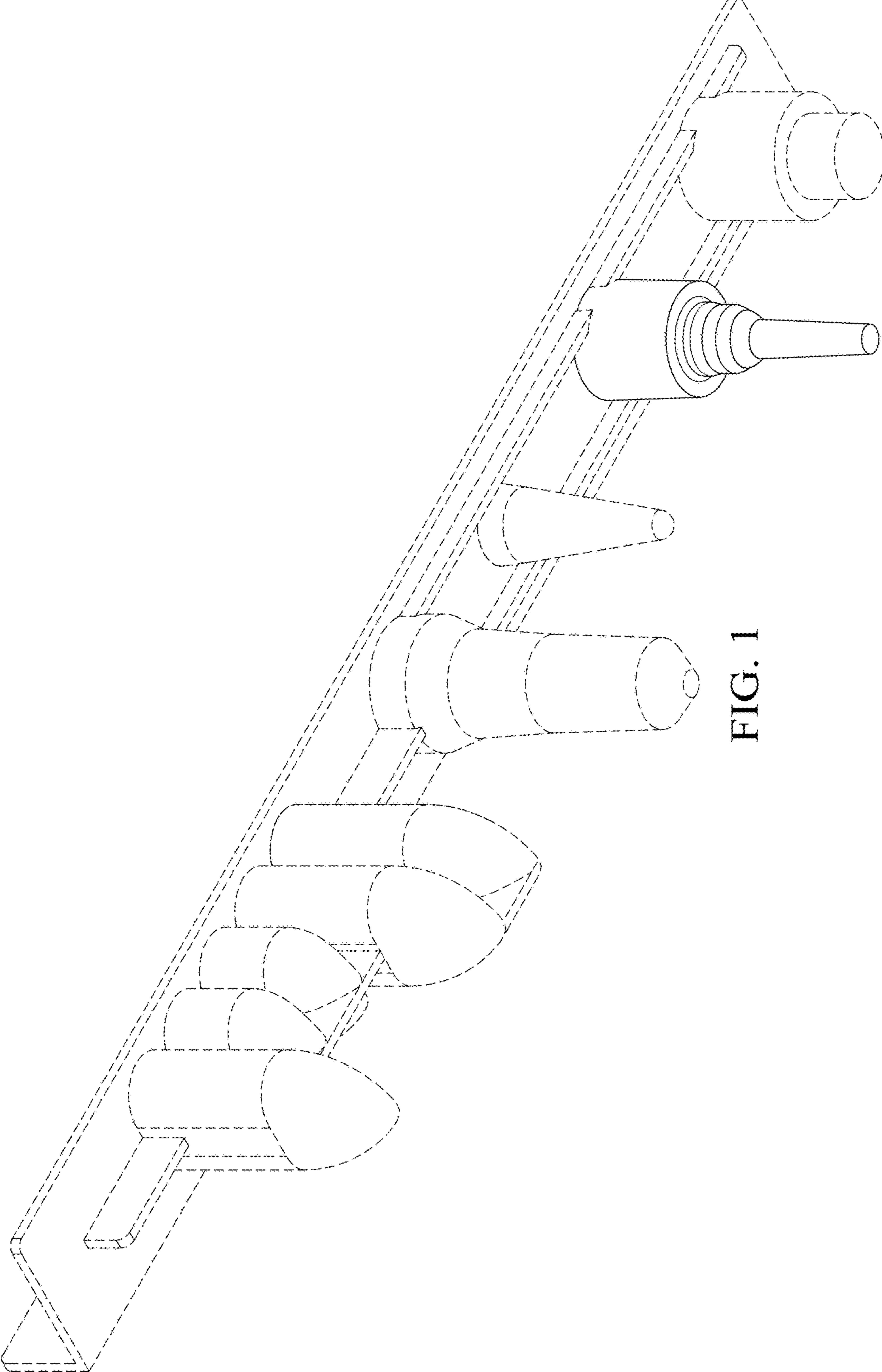
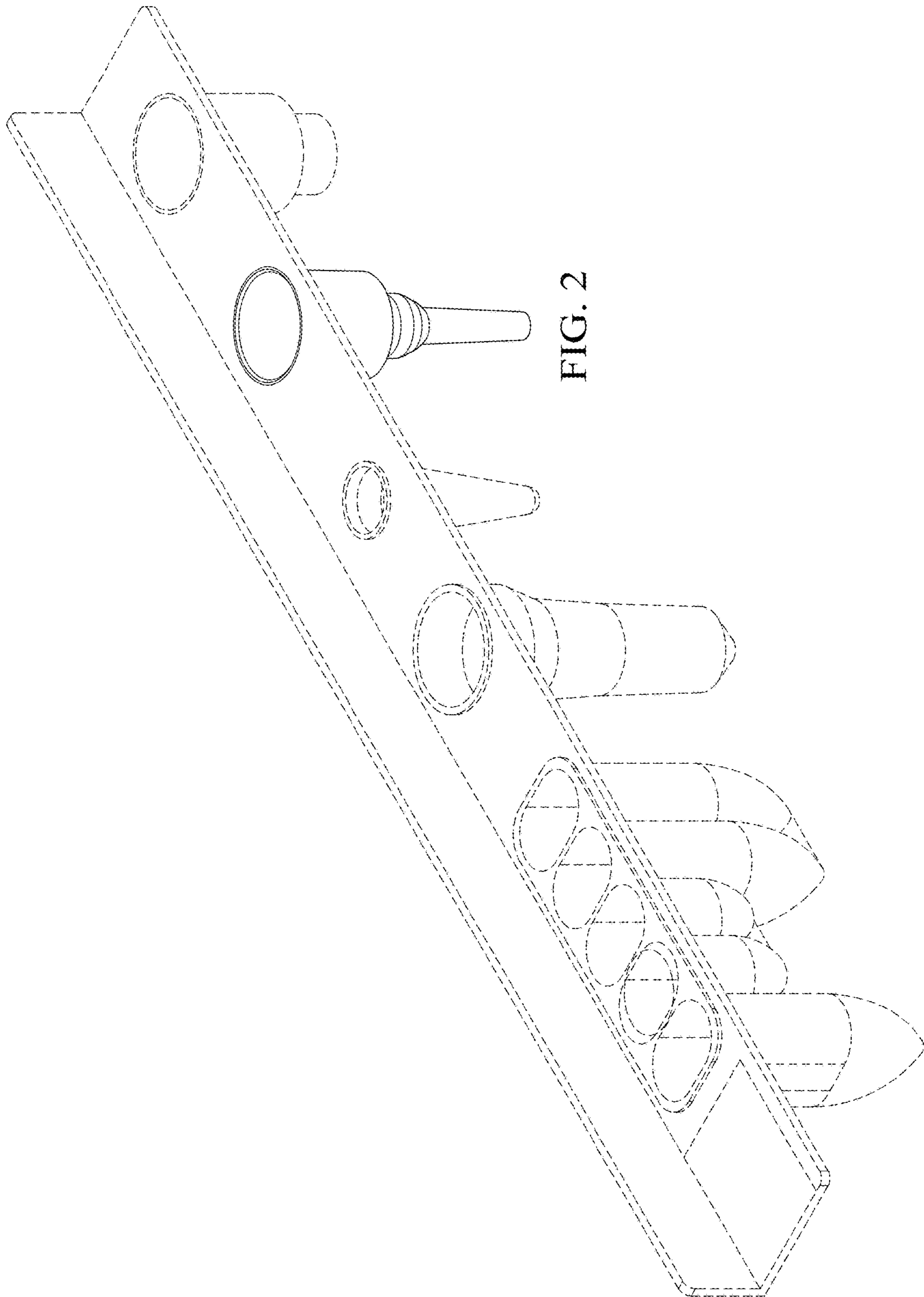


FIG. 1





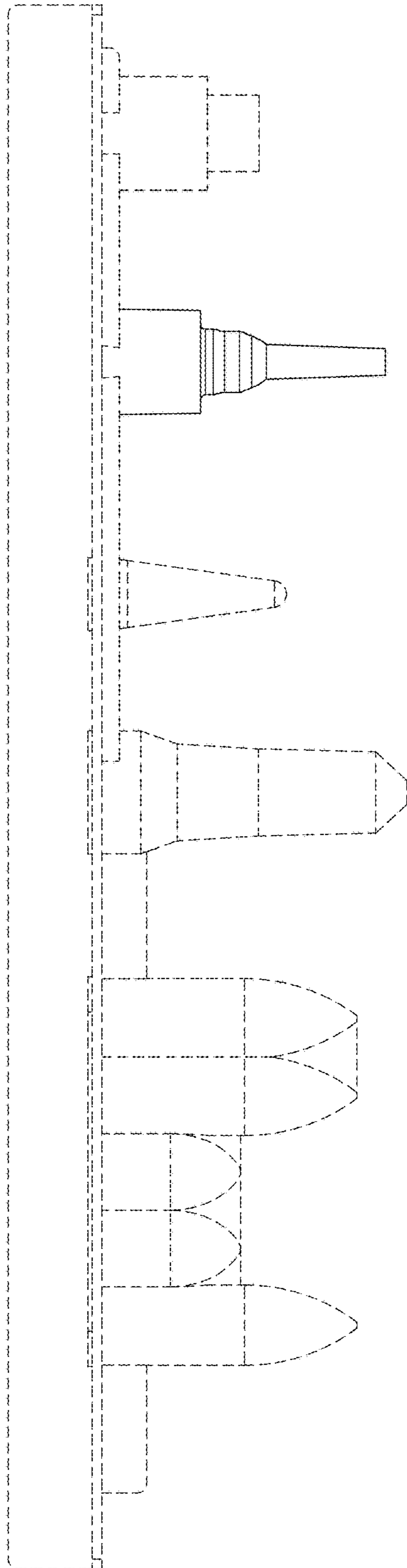


FIG. 3

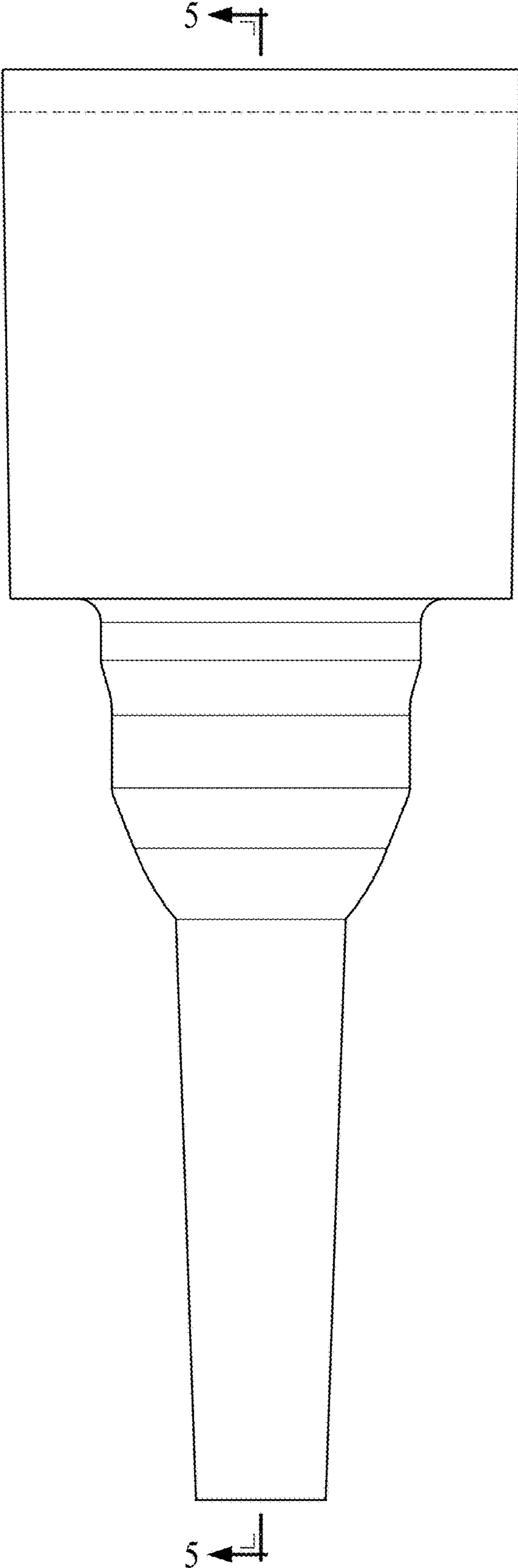


FIG. 4

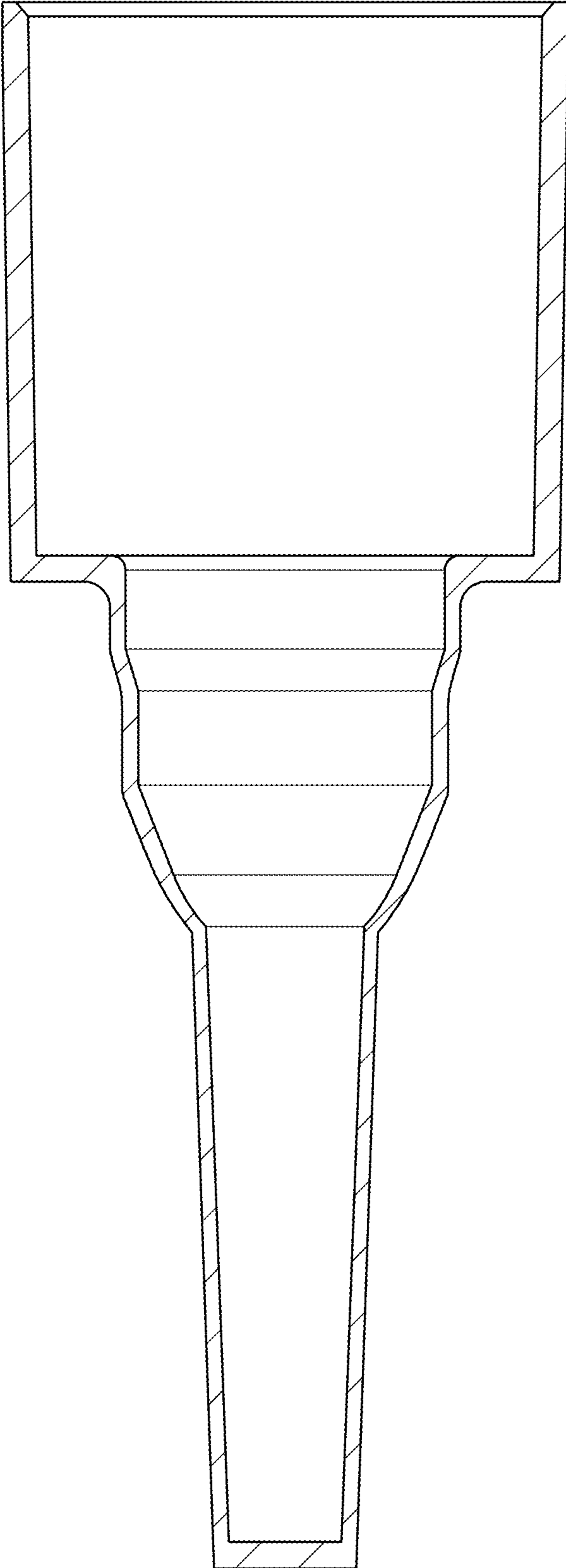


FIG. 5

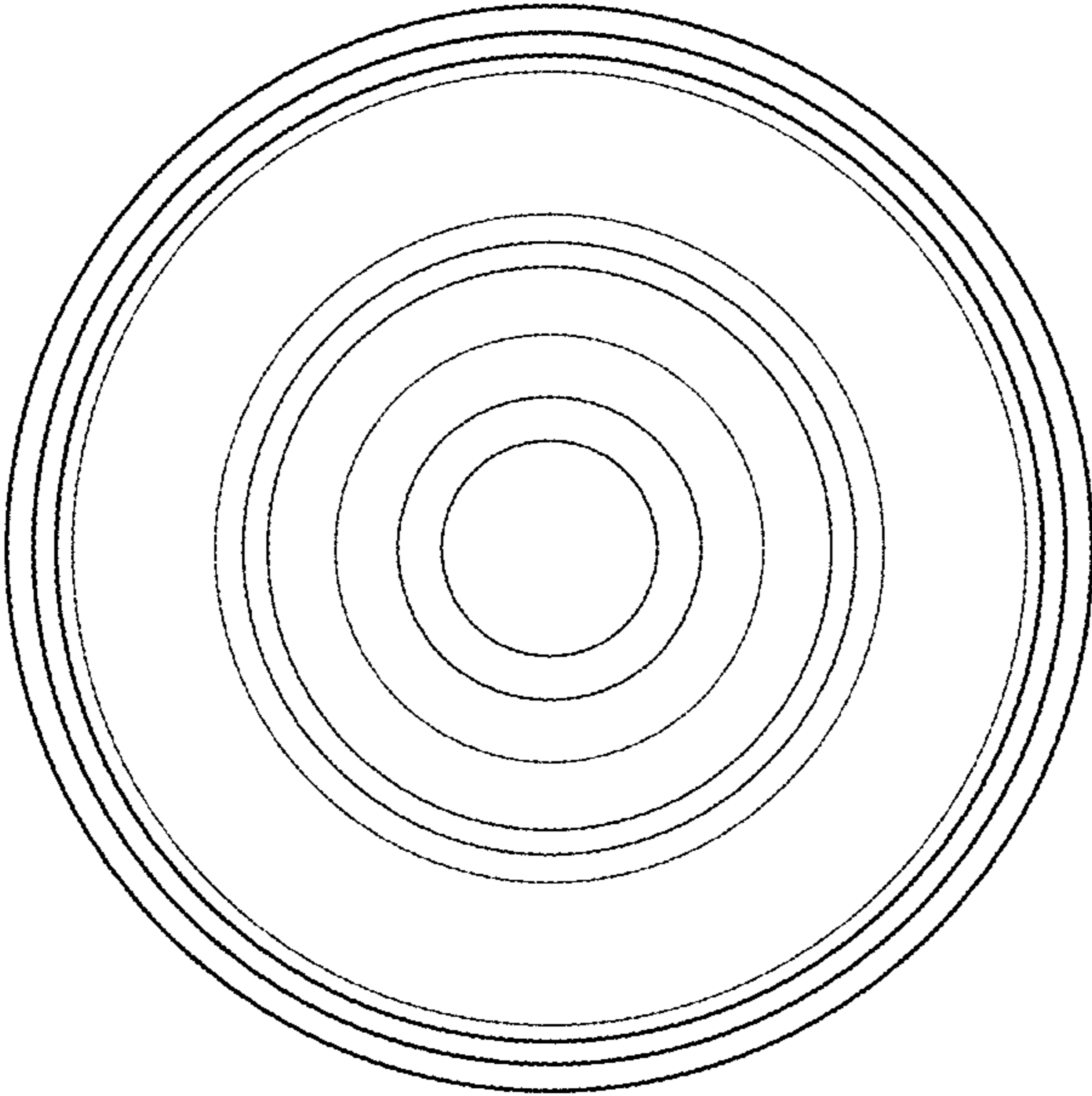


FIG. 6

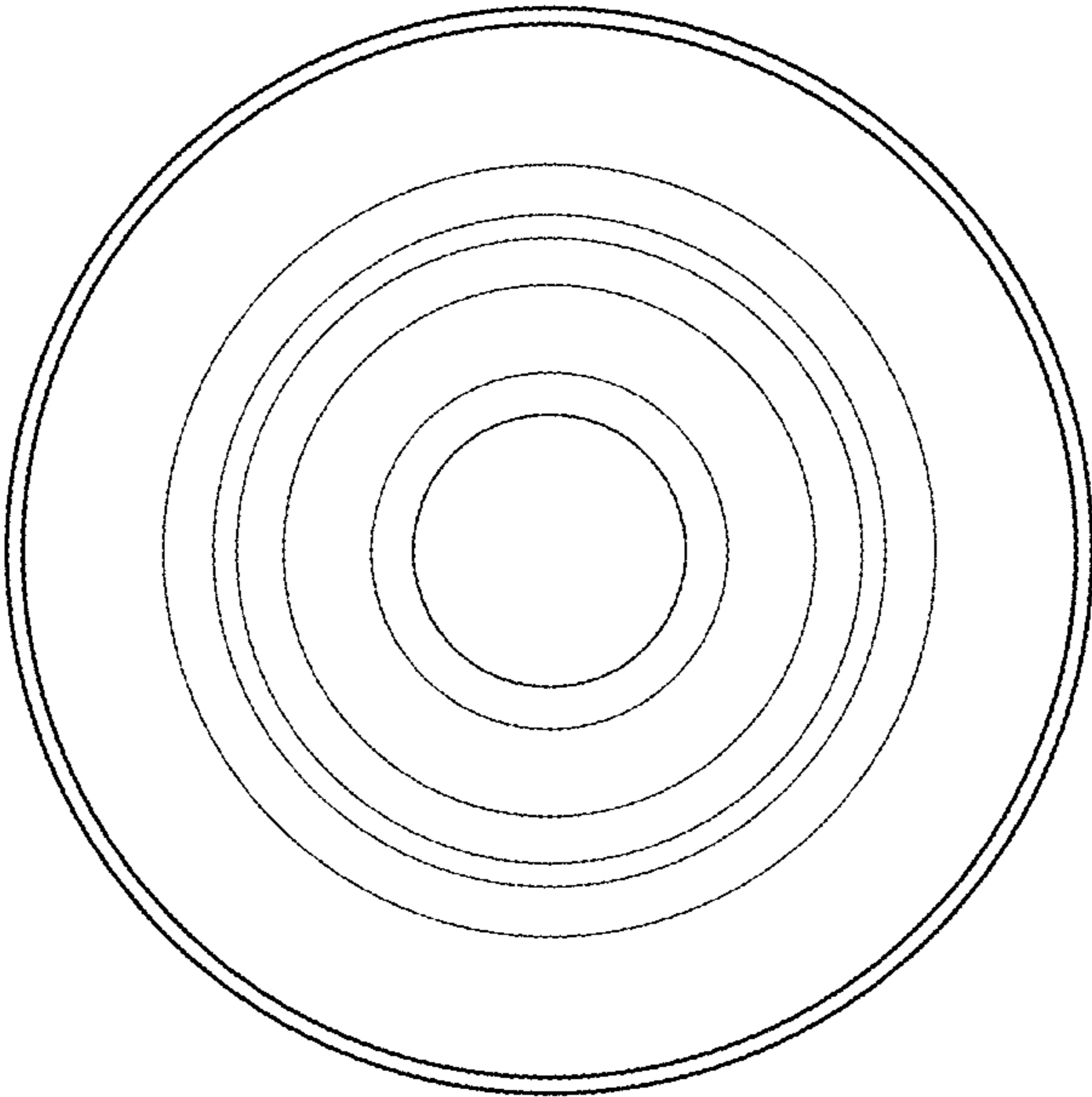


FIG. 7