



US00D824040S

(12) **United States Design Patent** (10) **Patent No.:** **US D824,040 S**
Demmink et al. (45) **Date of Patent:** **** Jul. 24, 2018**

(54) **BOTTLE**
(71) Applicant: **Abbott Laboratories**, Abbott Park, IL (US)

H002200 H 9/2007 Horton et al.
D668,778 S * 10/2012 Motadel D24/224
D707,129 S * 6/2014 Rosenbaum D9/547
8,851,739 B2 * 10/2014 Gonzalez A47J 43/046
366/130

(72) Inventors: **Kyle Demmink**, Columbus, OH (US);
Jeremy McBroom, Columbus, OH (US)

(Continued)

(73) Assignee: **ABBOTT LABORATORIES**, Abbott Park, IL (US)

FOREIGN PATENT DOCUMENTS

GB 2376681 A 12/2002
WO 2005041851 A2 5/2005
WO 2008079282 A2 7/2008

(**) Term: **15 Years**

OTHER PUBLICATIONS

(21) Appl. No.: **29/555,872**

Enfamil infant formula bottle : <http://www.toysrus.com/buy/nursers/enfamil-premium-nursette-2-oz-6-pack-36641-3506027>.

(22) Filed: **Feb. 25, 2016**

(Continued)

(51) **LOC (11) Cl.** **24-02**

(52) **U.S. Cl.**
USPC **D24/224**

Primary Examiner — Susan Bennett Hattan

Assistant Examiner — Rebecca Tsehaye

(58) **Field of Classification Search**
USPC D24/224, 216, 188, 193, 197; D10/46,
D10/46.2; D9/516, 530, 537–539, 549,
D9/557, 558, 688–691; 73/426–429;
215/11.1
CPC G01F 17/00; G01F 22/00; A61J 11/00
See application file for complete search history.

(74) *Attorney, Agent, or Firm* — Calfee, Halter & Griswold LLP

(57) **CLAIM**

We claim the ornamental design for a bottle, as shown and described.

(56) **References Cited**

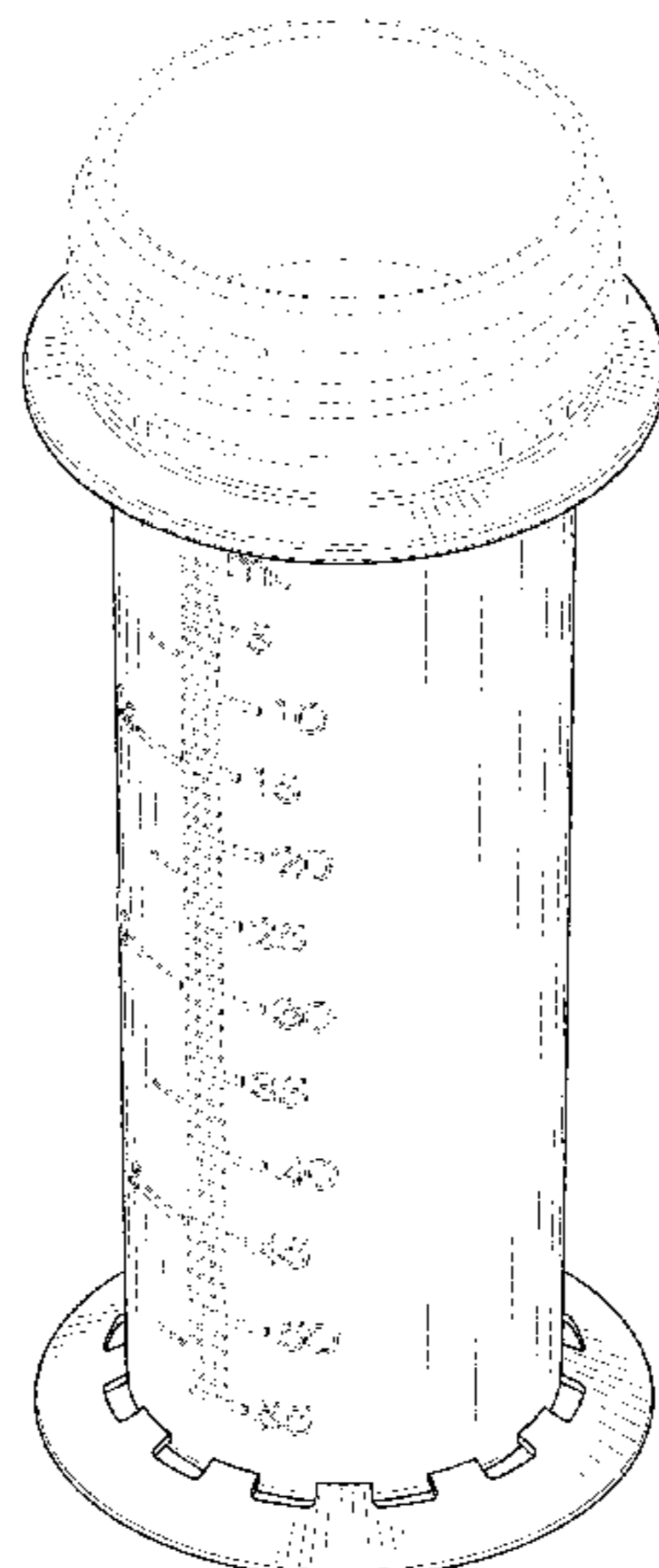
DESCRIPTION

U.S. PATENT DOCUMENTS

831,939 A * 9/1906 Deming G01F 19/00
422/74
3,645,262 A 2/1972 Harrigan
4,961,701 A 10/1990 Barth
D335,450 S 5/1993 Pezzoli et al.
D337,271 S 7/1993 Pezzoli et al.
2,364,537 A 12/1994 Kerth
D366,840 S * 2/1996 Schagerstrom D10/46.2
6,222,168 B1 * 4/2001 Witonsky A61J 9/02
116/216
6,290,080 B1 9/2001 Grosse
H002199 H 9/2007 Horton et al.

FIG. 1 is a top, perspective view of a bottle, showing the new design;
FIG. 2 is a bottom, perspective view of the bottle of FIG. 1;
FIG. 3 is a front side view of the bottle of FIG. 1;
FIG. 4 is a left view of the bottle of FIG. 1;
FIG. 5 is a rear side view of the bottle of FIG. 1;
FIG. 6 is a right view of the bottle of FIG. 1;
FIG. 7 is a top view of the bottle of FIG. 1; and,
FIG. 8 is a bottom view of the bottle of FIG. 1.
The broken lines in the drawings depict portions of the bottle that form no part of the claimed design.

1 Claim, 5 Drawing Sheets



(56)

References Cited

U.S. PATENT DOCUMENTS

D727,097	S *	4/2015	Sorensen	D7/505
D733,497	S *	7/2015	Sorensen	D7/509
D756,797	S *	5/2016	Fine	D9/500
D768,304	S *	10/2016	Dupuy	D24/197
D768,865	S *	10/2016	Dean	D24/197
9,476,748	B1 *	10/2016	Krause	G01F 17/00
D777,031	S *	1/2017	Katopis	D9/436
D777,938	S *	1/2017	Roaks	D24/197
2007/0108151	A1	5/2007	Schultheis et al.	
2007/0108152	A1 *	5/2007	Horton	A61J 9/00 215/11.1
2007/0181520	A1	8/2007	Holley et al.	
2008/0197097	A1	8/2008	Montgomery	
2011/0073556	A1	3/2011	Yourist et al.	
2011/0114589	A1	5/2011	Levy et al.	
2011/0155684	A1	6/2011	Sirota	
2012/0018398	A1	1/2012	Geijzendorffer et al.	
2012/0035655	A1	2/2012	Trocki	
2014/0251944	A1	9/2014	Spinetti	

OTHER PUBLICATIONS

International Search Report and Written Opinion from PCT/
US2017/019356 dated Mar. 30, 2017.

* cited by examiner

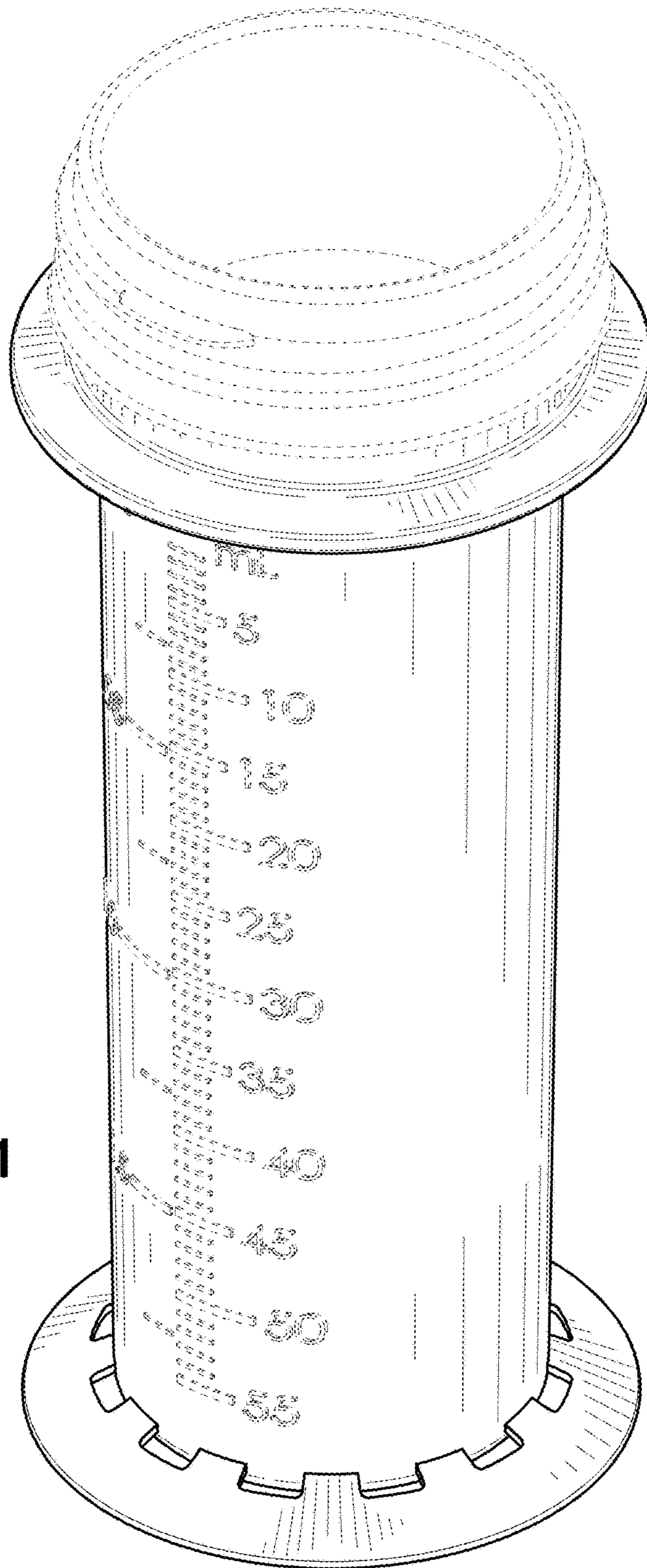


Fig. 1

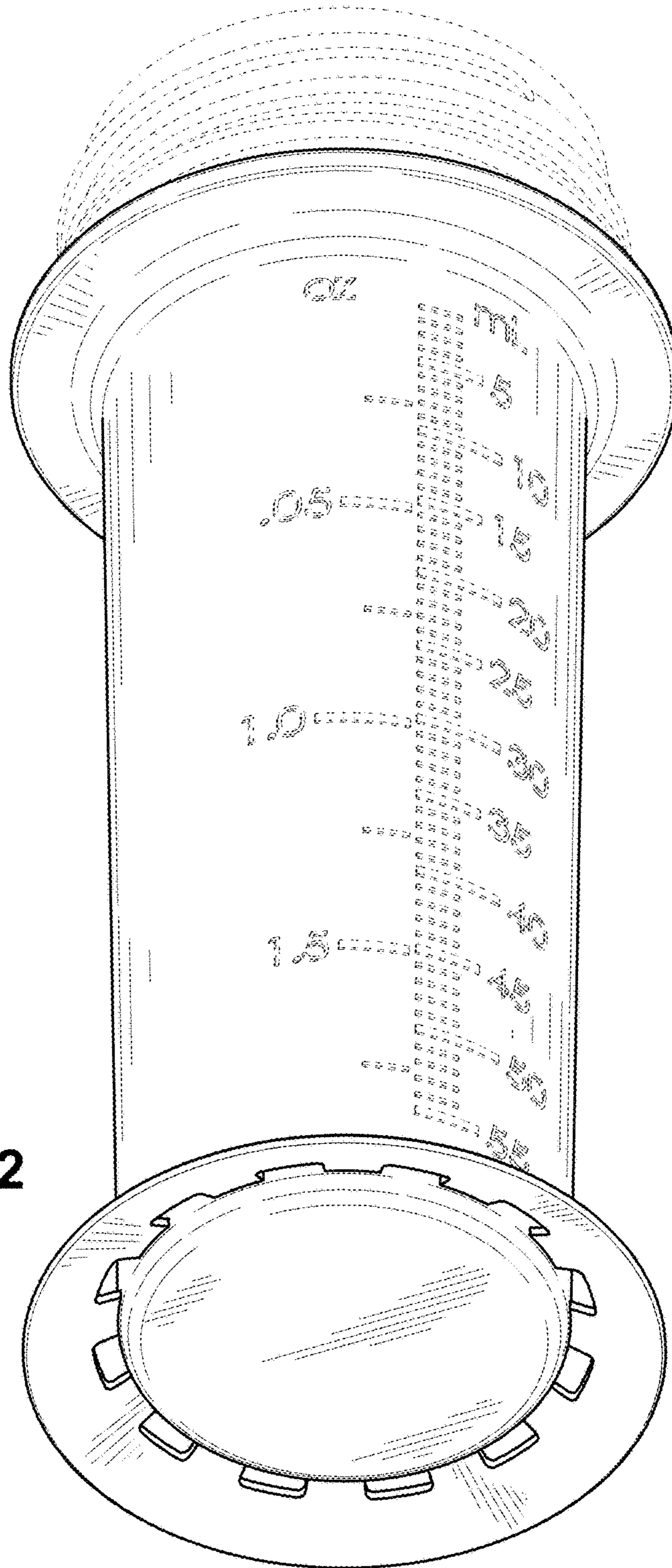


Fig. 2

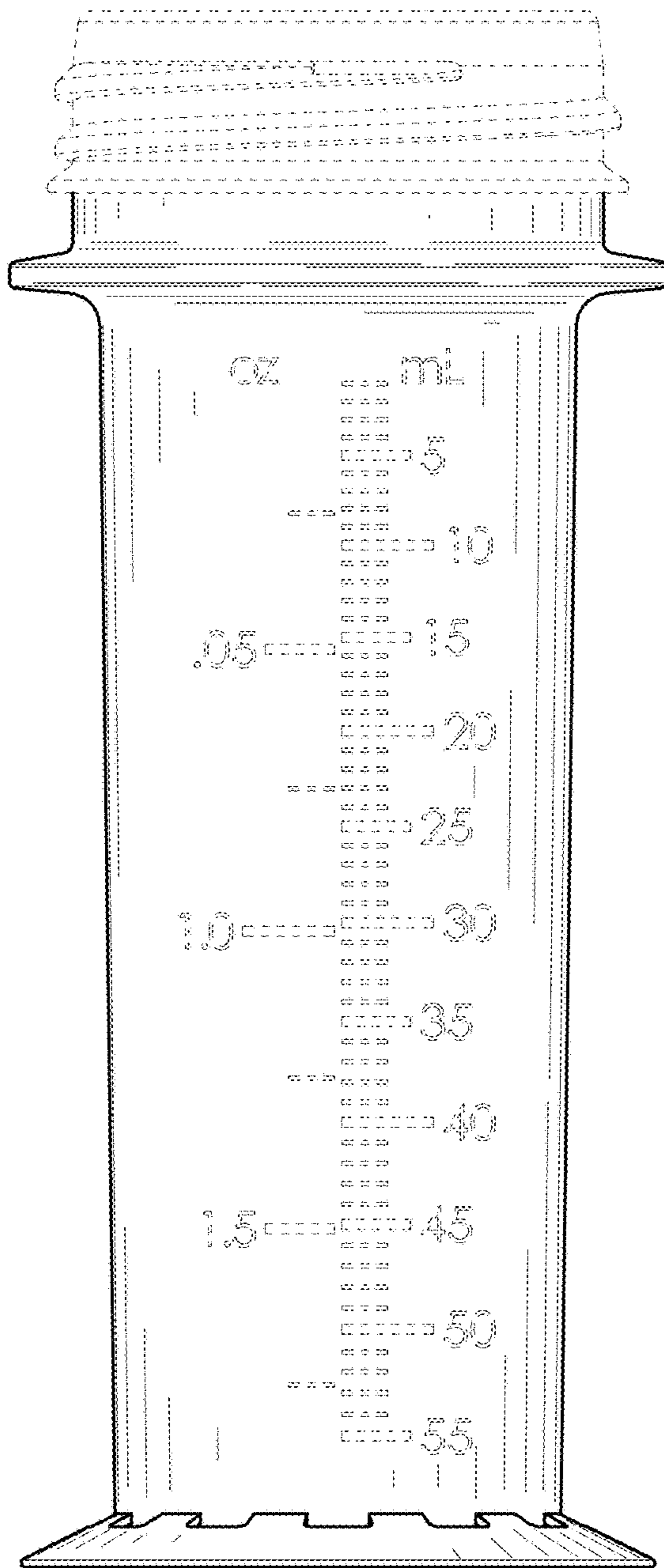


Fig. 3

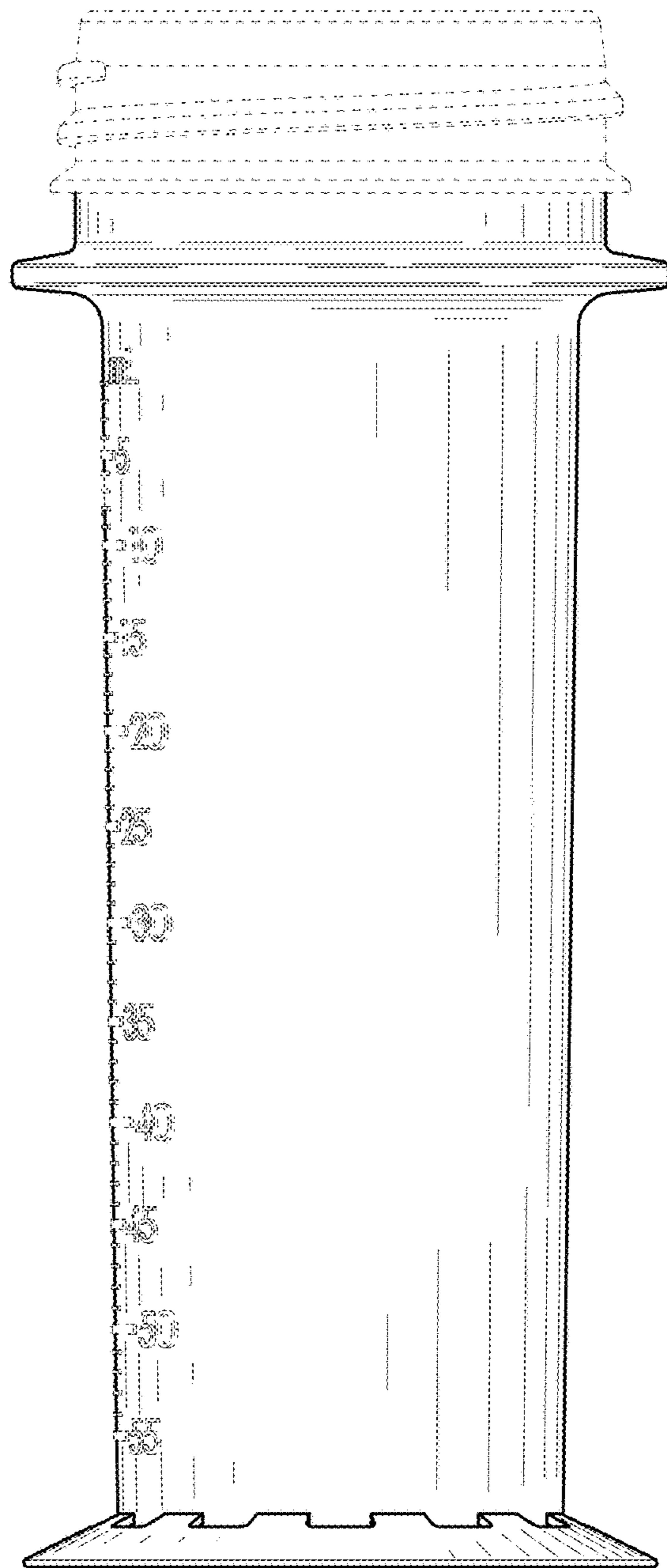


Fig. 4

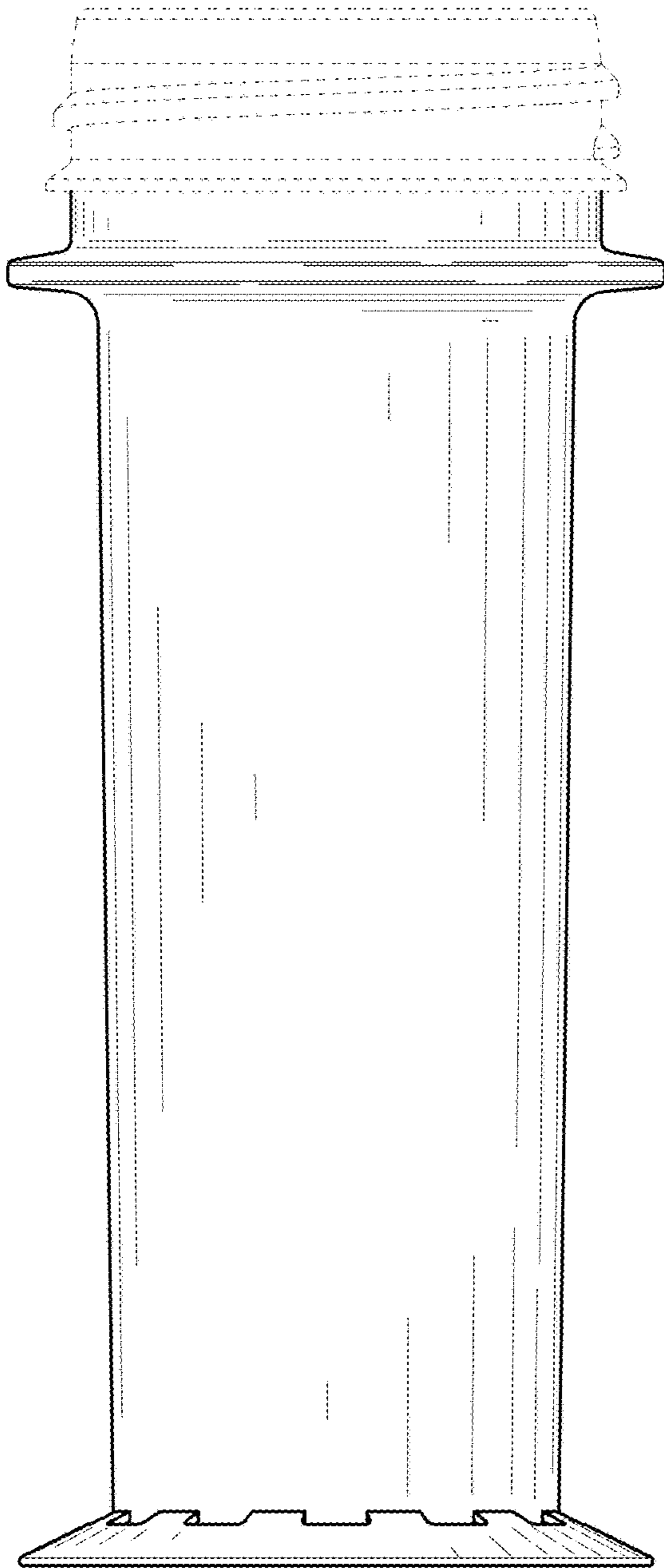


Fig. 5

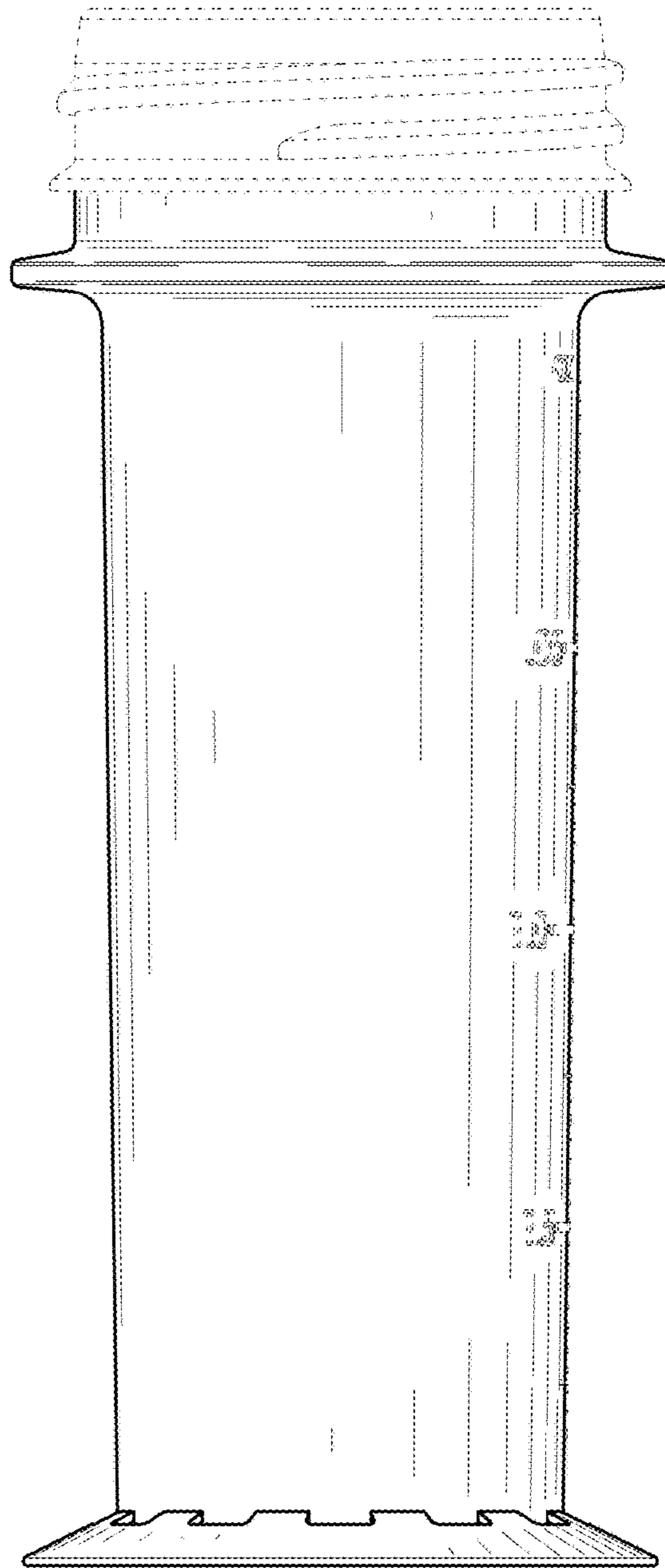


Fig. 6

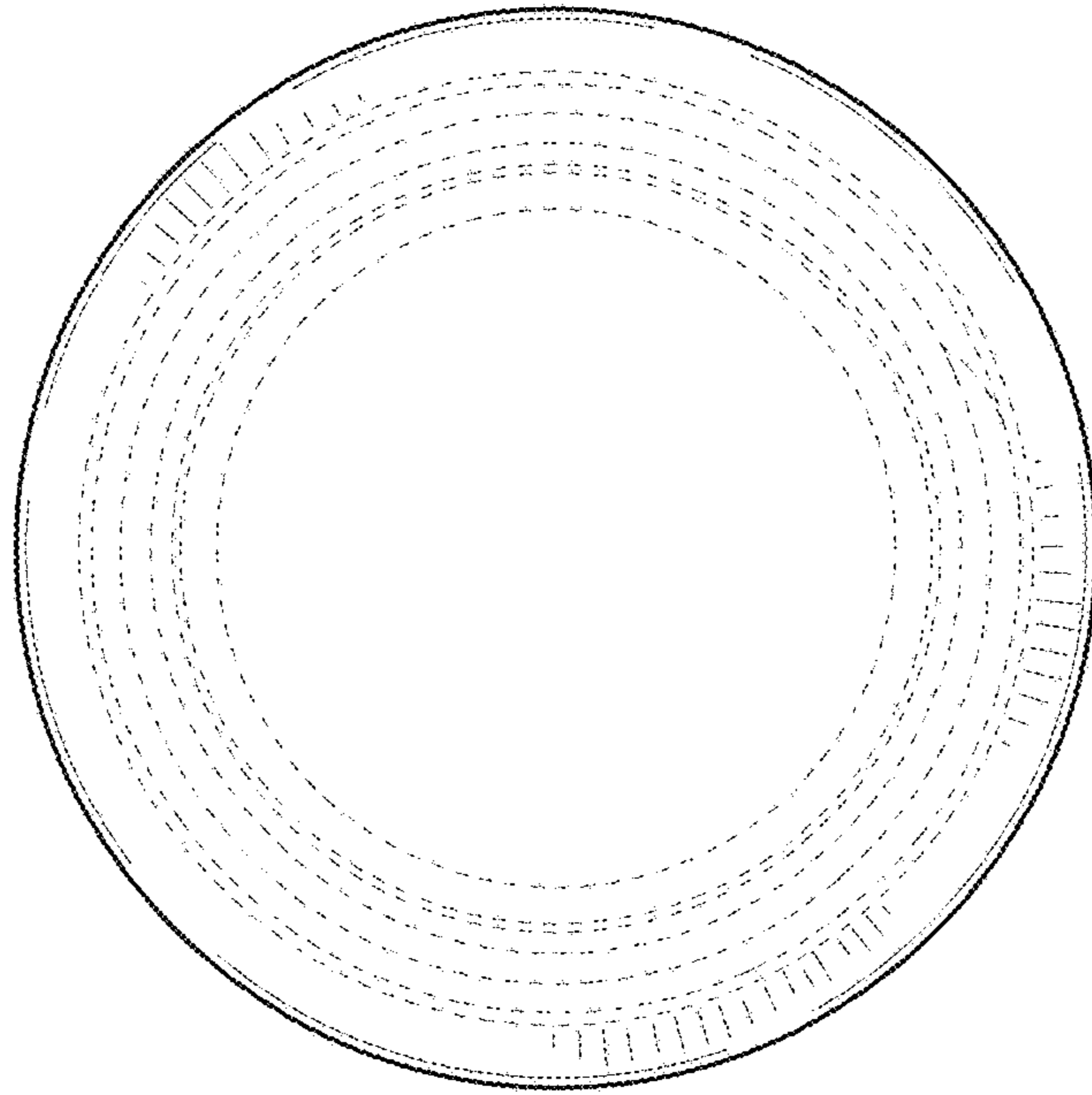


Fig. 7

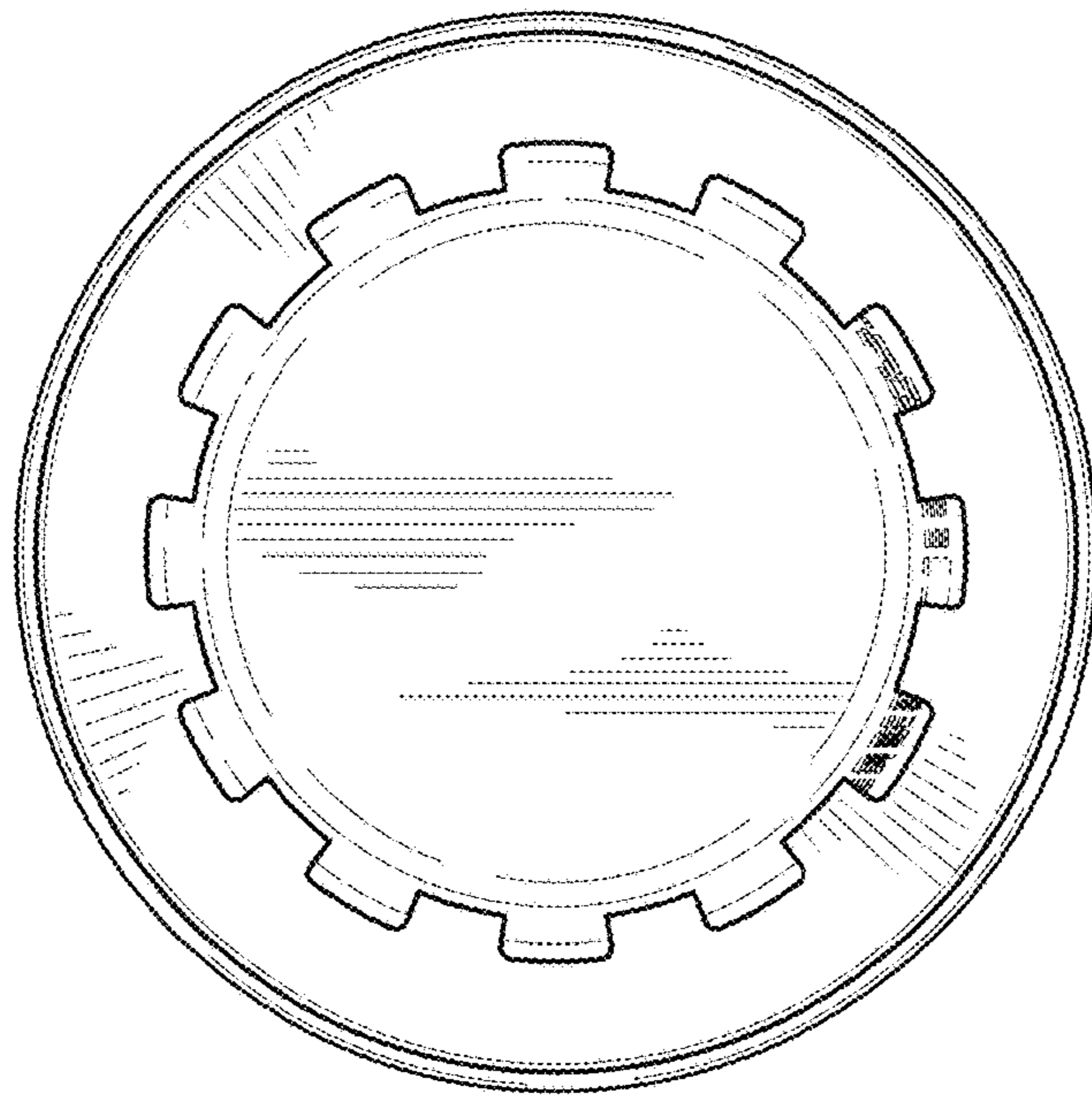


Fig. 8