



US00D824039S

(12) **United States Design Patent** (10) **Patent No.:** **US D824,039 S**
Hetzel (45) **Date of Patent:** **** Jul. 24, 2018**

(54) **MESSAGE THERAPY DEVICE**

(71) Applicant: **John Hetzel**, Veron Hills, IL (US)

(72) Inventor: **John Hetzel**, Veron Hills, IL (US)

(**) Term: **15 Years**

(21) Appl. No.: **29/576,370**

(22) Filed: **Sep. 2, 2016**

(51) **LOC (11) Cl.** **28-03**

(52) **U.S. Cl.**
 USPC **D24/215**

(58) **Field of Classification Search**
 USPC D24/200, 211, 212, 213, 214, 215;
 601/19, 22, 27-32, 46, 52, 99, 112, 113,
 601/118, 125, 143, DIG. 12, DIG. 14,
 601/DIG. 15, DIG. 16, DIG. 17; D8/367,
 D8/368, 369, 370
 CPC A61H 1/0266; A61H 2015/0007; A61H
 2015/0014; A61H 2015/0042; A61H
 2015/0035; A61H 15/00; A61H 7/003;
 A61H 7/005; A61H 7/00; A61H
 2001/027; A61H 11/00; A61H 19/00;
 A61H 19/30; A61H 19/32; A61H 19/34;
 A61H 19/40; A61H 19/44; A61H 19/50;
 A61H 21/00
 See application file for complete search history.

(56) **References Cited**

U.S. PATENT DOCUMENTS

D272,090 S * 1/1984 Hosid D24/211
 D319,105 S 8/1991 Cheng
 D378,539 S 3/1997 Scott
 D403,076 S 12/1998 York
 D454,644 S 3/2002 York
 D464,119 S * 10/2002 Blomstrom D23/252
 D469,880 S 2/2003 York
 D502,264 S 2/2005 Timmer

D507,057 S 7/2005 Timmer
 D535,752 S 1/2007 Smith
 D569,005 S 5/2008 York
 D637,309 S * 5/2011 Park D24/215
 D649,657 S * 11/2011 Petersen D24/215
 D667,131 S 9/2012 Faussett
 D671,226 S * 11/2012 Aulwes D24/215
 D691,279 S 10/2013 Hane-Karr
 D695,364 S * 12/2013 Khalil D21/662
 D700,974 S 3/2014 Taalman
 D706,440 S * 6/2014 Hahr D24/215
 D723,707 S * 3/2015 Matsuura D24/215
 D726,028 S 4/2015 Thompson
 D726,926 S * 4/2015 Matsushita D24/200
 D726,927 S * 4/2015 Matsushita D24/200
 D727,514 S * 4/2015 Matsushita D24/200
 D729,398 S * 5/2015 Park D24/215
 D750,797 S * 3/2016 Mannheim D24/215
 D768,308 S * 10/2016 Hetzel D24/214
 D768,309 S * 10/2016 Hetzel D24/214
 D768,310 S * 10/2016 Hetzel D24/214
 D792,980 S * 7/2017 Olivares D24/215
 2015/0223970 A1 8/2015 Holland

* cited by examiner

Primary Examiner — Sandra Snapp
 (74) *Attorney, Agent, or Firm* — Woodard, Emhardt,
 Moriarty, McNett & Henry, LLP; Charles Meyer

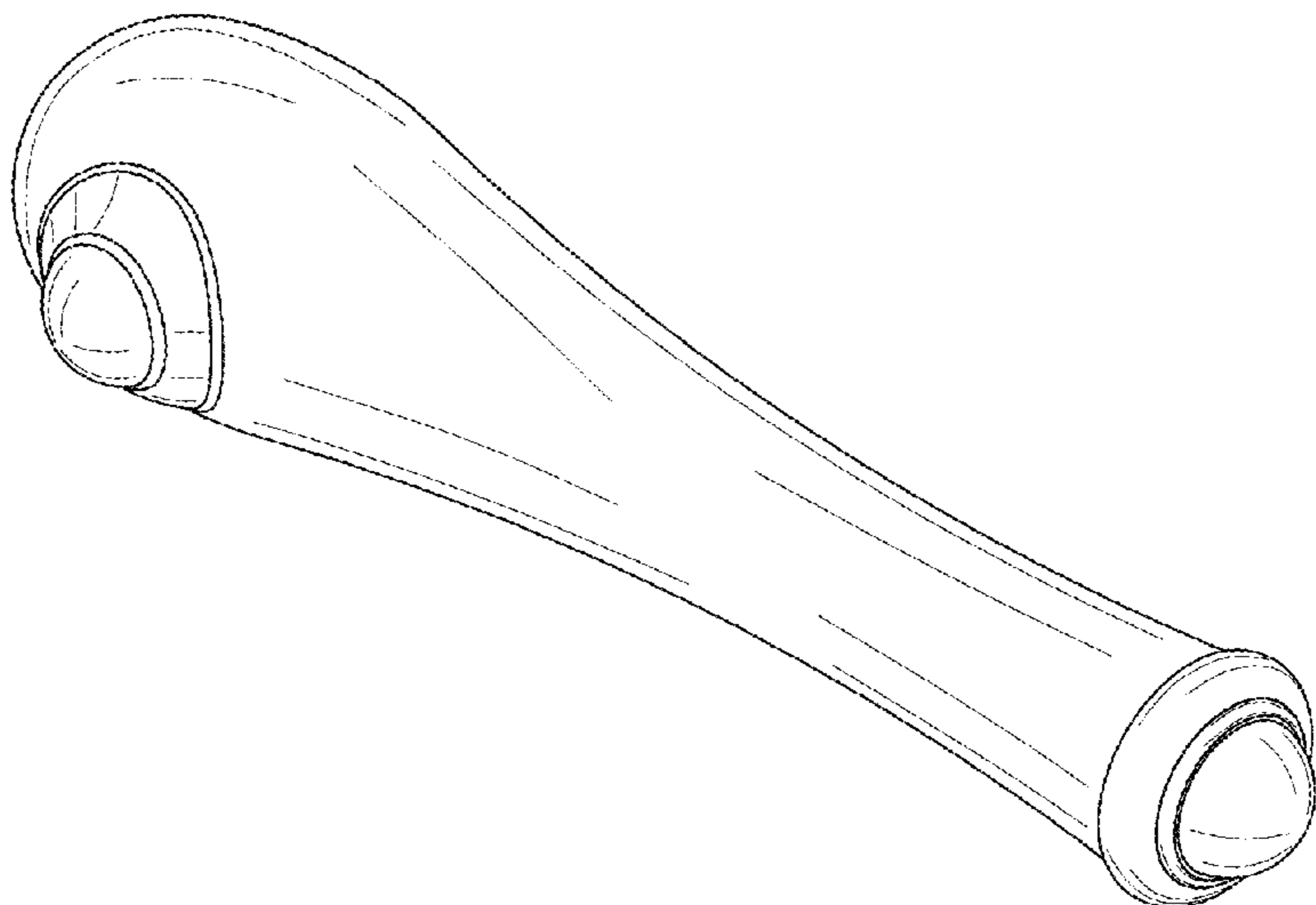
(57) **CLAIM**

The ornamental design for a massage therapy device, as shown and described.

DESCRIPTION

FIG. 1 is a perspective view of the massage therapy device. FIG. 2 is a front view of the massage therapy device. FIG. 3 is a left side view of the massage therapy device, the right side is a mirror image. FIG. 4 is a rear view of the massage therapy device. FIG. 5 is a top view of the massage therapy device; and, FIG. 6 is a bottom view of the massage therapy device.

1 Claim, 2 Drawing Sheets



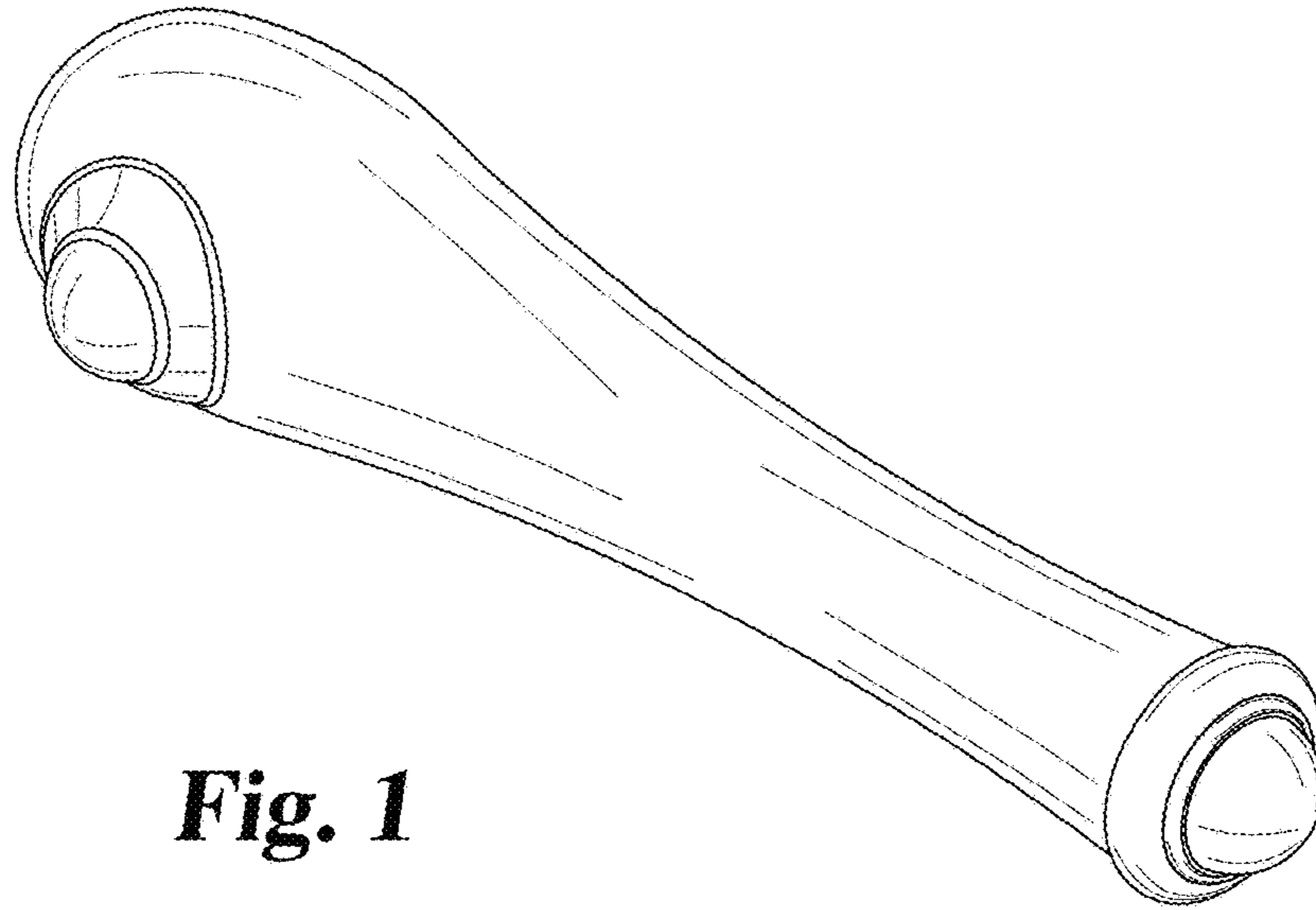


Fig. 1

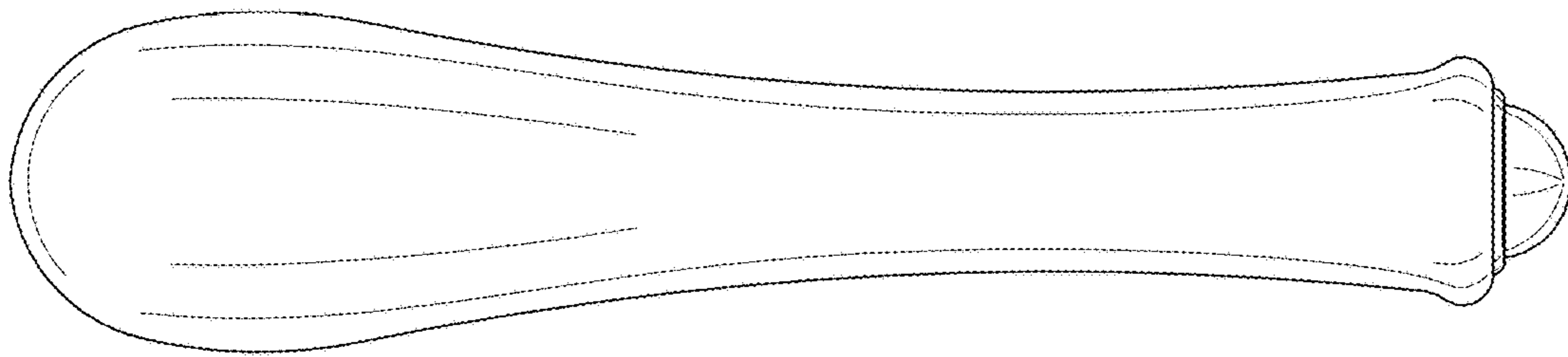


Fig. 2

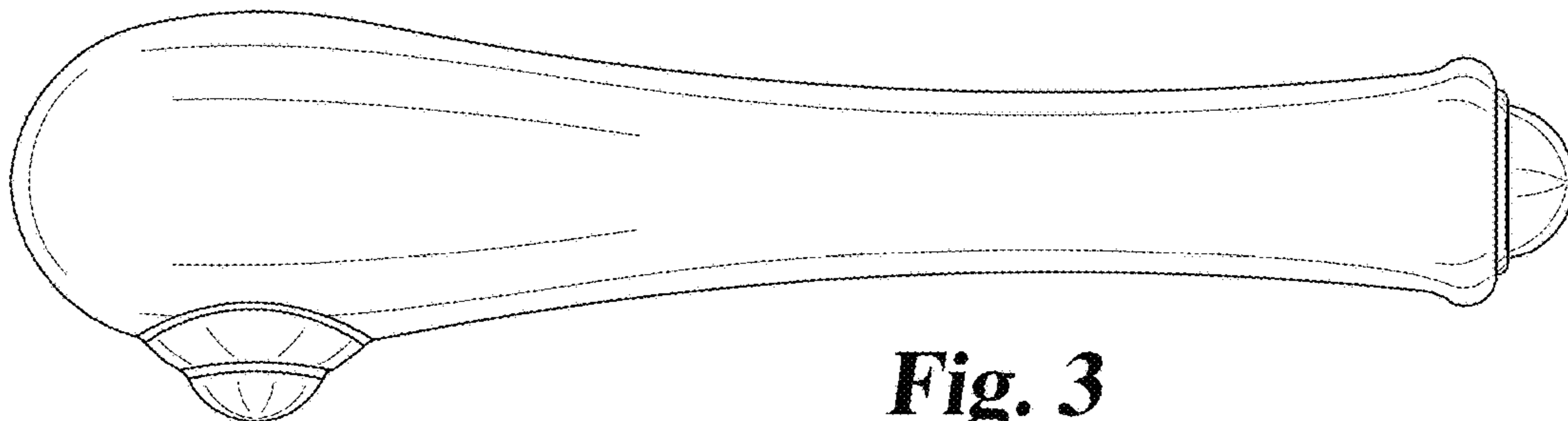


Fig. 3

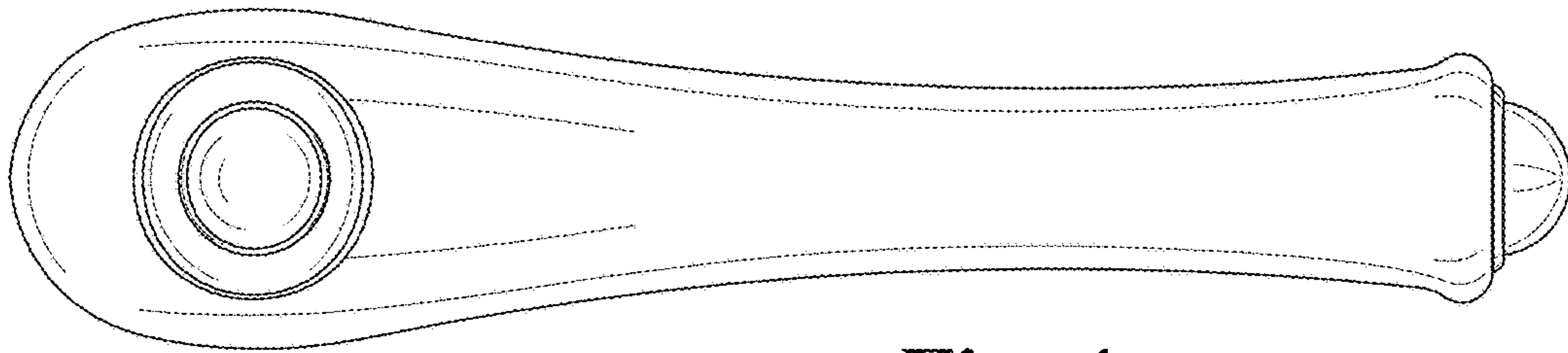


Fig. 4

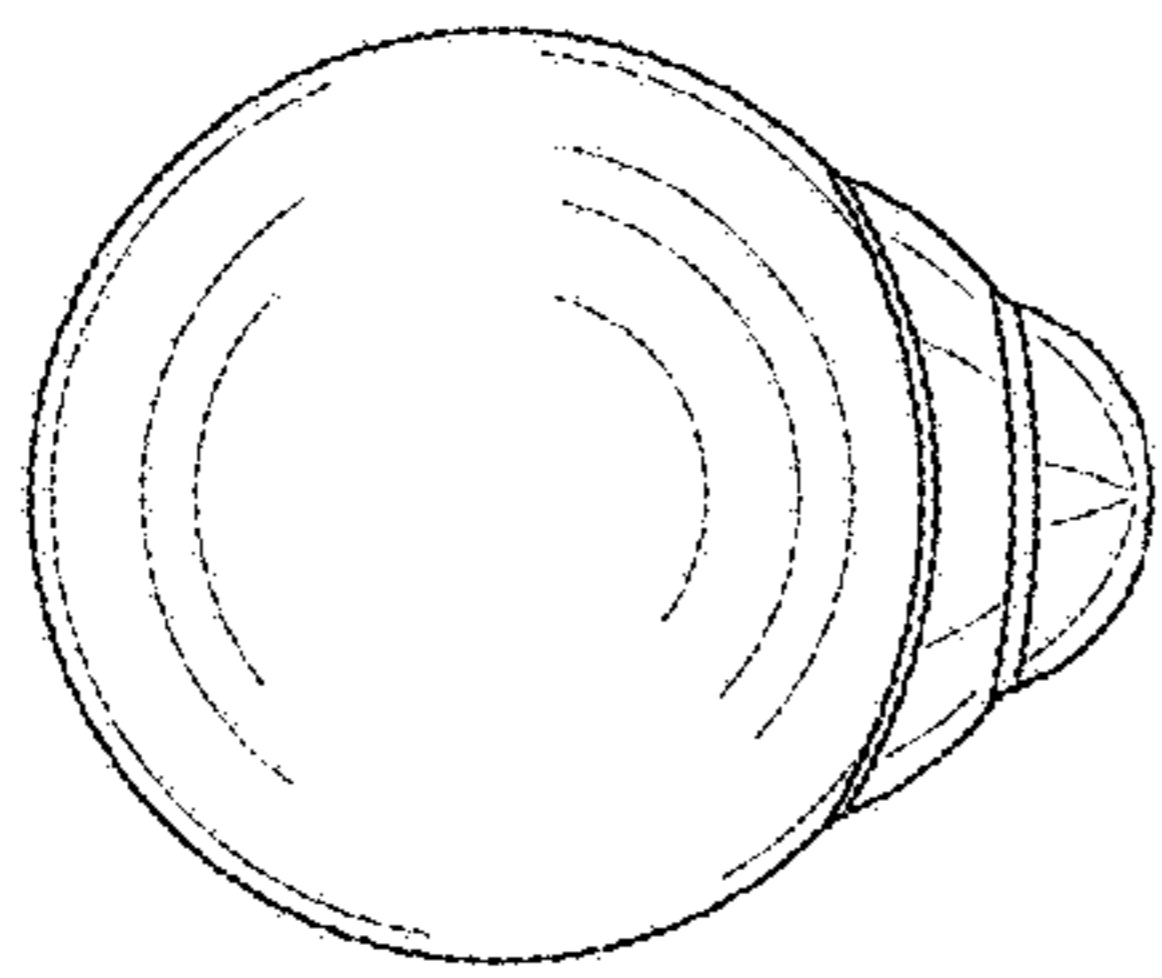


Fig. 5

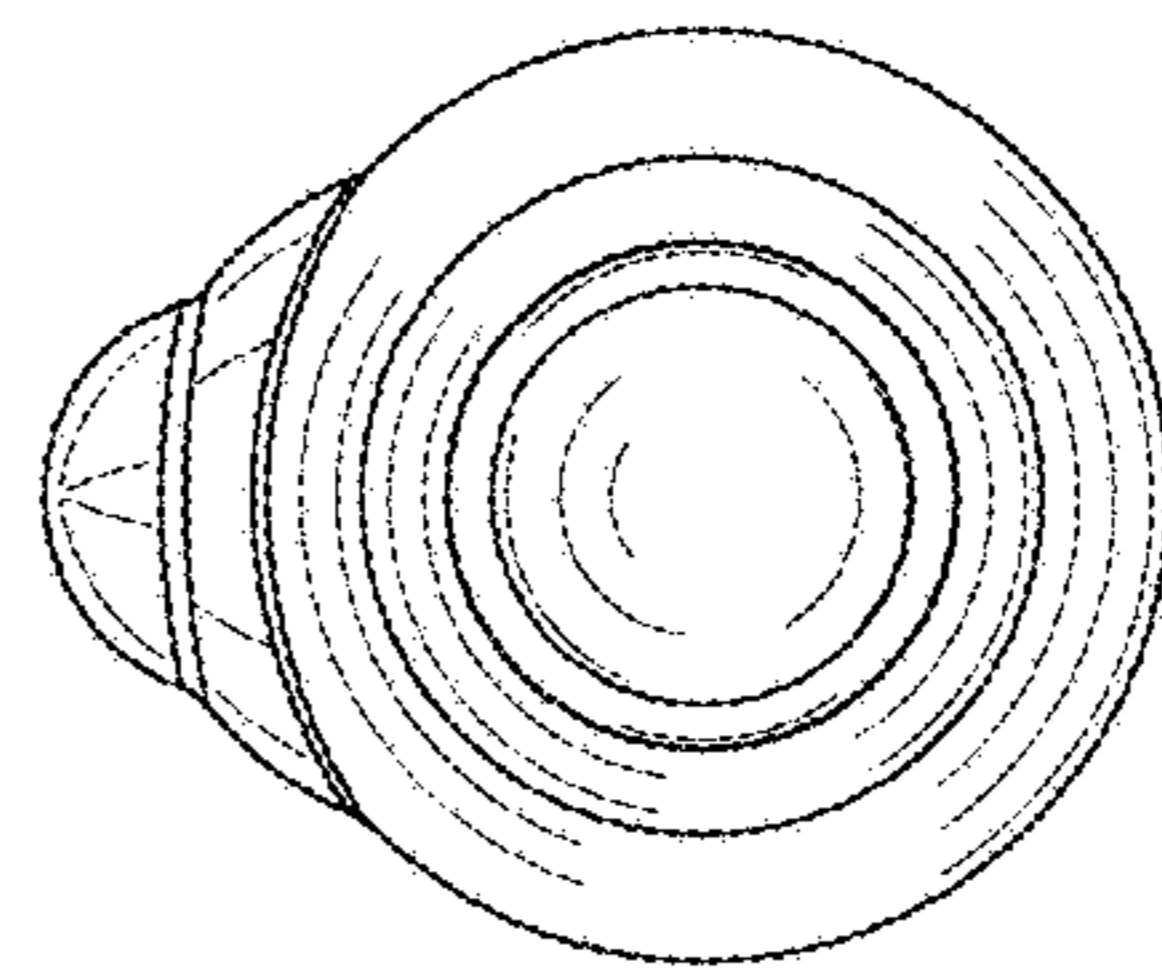


Fig. 6