



US00D824037S

(12) **United States Design Patent** (10) **Patent No.:** **US D824,037 S**  
**Yueh** (45) **Date of Patent:** **\*\* Jul. 24, 2018**

(54) **VIBRATING DEVICE**  
(71) Applicants: **Oivita Creative Co., Ltd.**, Taipei (TW); **Chao-Yu Yueh**, Taipei (TW)  
(72) Inventor: **Chao-Yu Yueh**, Taipei (TW)  
(73) Assignees: **OIVITA CREATIVE CO., LTD.**, Taipei (TW); **Chao-Yu Yueh**, Taipei (TW)

D648,861 S \* 11/2011 Chong ..... D24/215  
D689,788 S \* 9/2013 Gruosi ..... D11/26  
D704,346 S \* 5/2014 Tai ..... D24/215  
D704,347 S \* 5/2014 Tai ..... D24/215  
D706,437 S \* 6/2014 Hahr ..... D24/215  
D706,438 S \* 6/2014 Hahr ..... D24/215  
D706,439 S \* 6/2014 Hahr ..... D24/215  
D706,443 S \* 6/2014 Hahr ..... D24/215  
D725,283 S \* 3/2015 Sedic ..... D24/215  
D727,523 S \* 4/2015 Qian ..... D24/215  
D773,066 S \* 11/2016 Sedic ..... D24/215

(\*\*) Term: **15 Years**

\* cited by examiner

(21) Appl. No.: **29/565,993**

Primary Examiner — Sandra Snapp

(22) Filed: **May 26, 2016**

(74) Attorney, Agent, or Firm — McClure, Qualey & Rodack, LLP

(30) **Foreign Application Priority Data**

Jan. 22, 2016 (TW) ..... 105300328

(51) **LOC (11) Cl.** ..... **28-03**

(52) **U.S. Cl.**  
USPC ..... **D24/215**

(58) **Field of Classification Search**  
USPC ..... D24/200, 211, 212, 213, 214, 215;  
601/19, 27-32, 46-48, 52, 99, 112-113,  
601/118, 135, 137, DIG. 12, DIG. 14,  
601/DIG. 15, DIG. 16, DIG. 17;  
D30/160; D11/26, 28, 29

CPC ..... A61H 19/00; A61H 19/30; A61H 19/32;  
A61H 19/34; A61H 19/40; A61H 19/44;  
A61H 19/50; A61H 2015/0007; A61H  
2015/0014; A61H 2015/0042; A61H  
15/00; A61H 7/003; A61H 7/005

See application file for complete search history.

(56) **References Cited**

**U.S. PATENT DOCUMENTS**

D99,982 S \* 6/1936 Arpels ..... D11/26  
D143,590 S \* 1/1946 Grun ..... D11/26

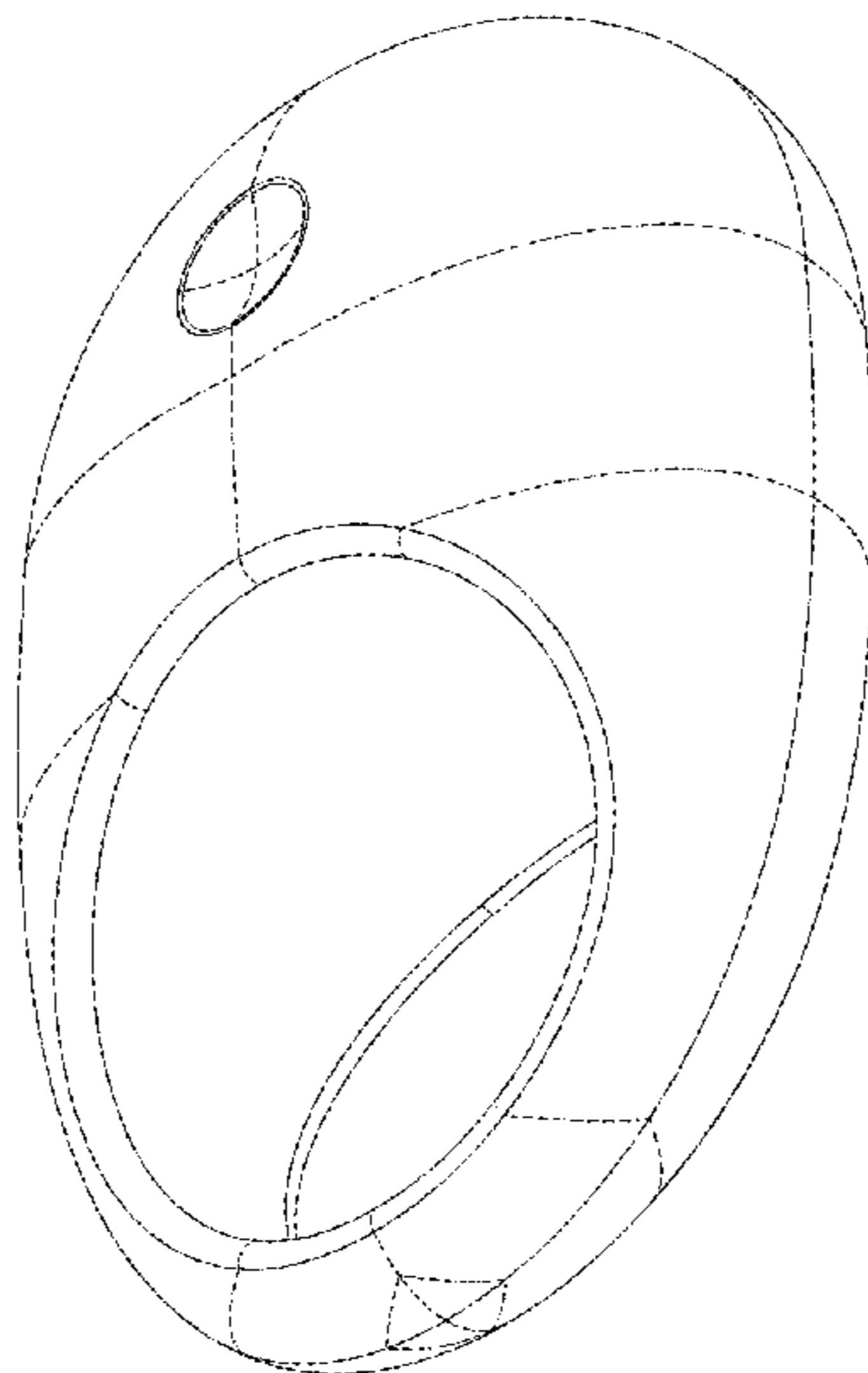
(57) **CLAIM**

The ornamental design for a vibrating device, as shown and described.

**DESCRIPTION**

FIG. 1 is a top perspective view of a vibrating device in accordance with the present design;  
FIG. 2 is a front view of the vibrating device;  
FIG. 3 is a rear view of the vibrating device;  
FIG. 4 is a right side view of the vibrating device;  
FIG. 5 is a left side view of the vibrating device;  
FIG. 6 is a top plan view of the vibrating device; and,  
FIG. 7 is a bottom plan view of the vibrating device.  
The broken lines showing of the portion of the vibrating device are for the purpose of illustrating structure and form no part of the claimed design.

**1 Claim, 6 Drawing Sheets**



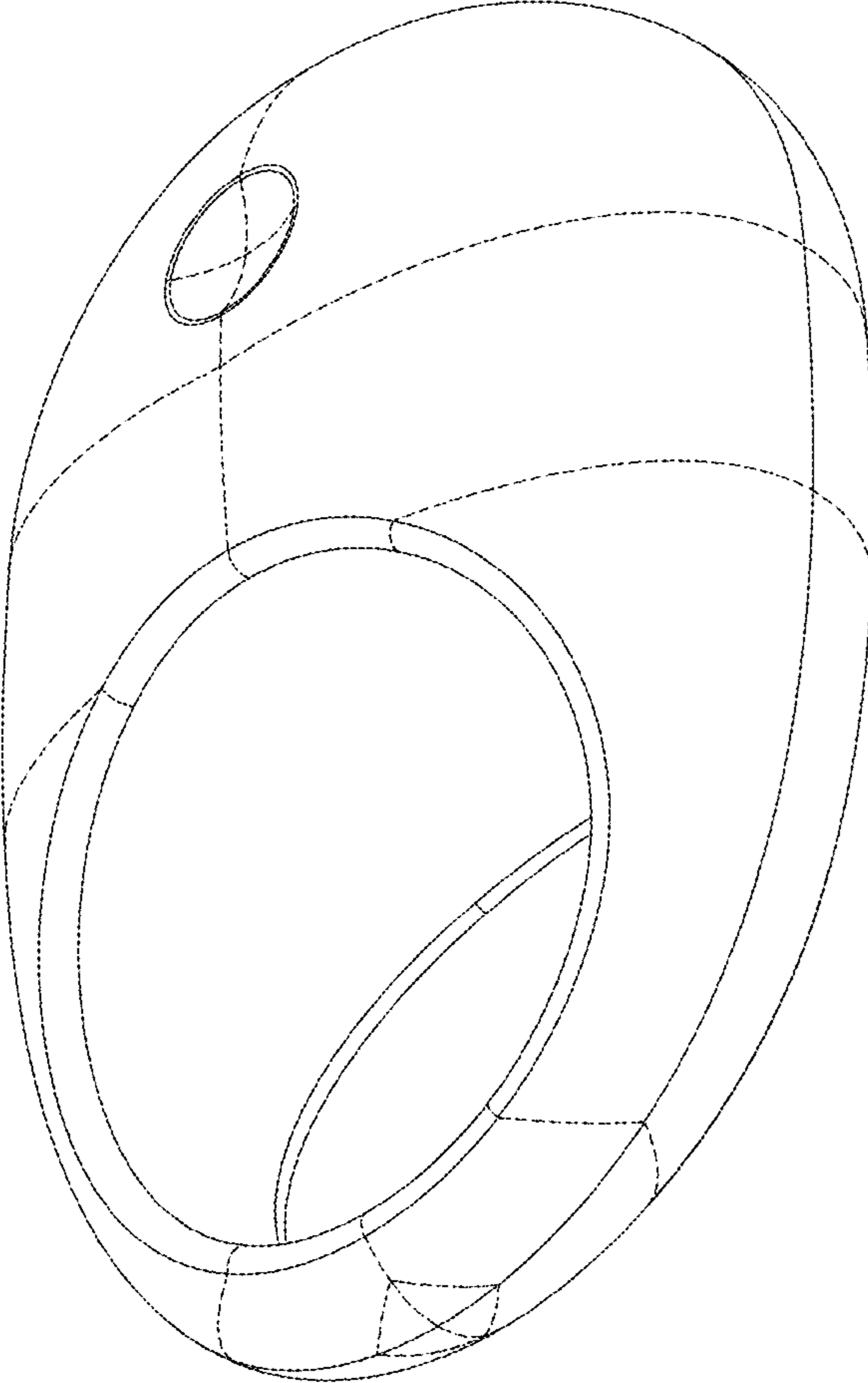


FIG. 1

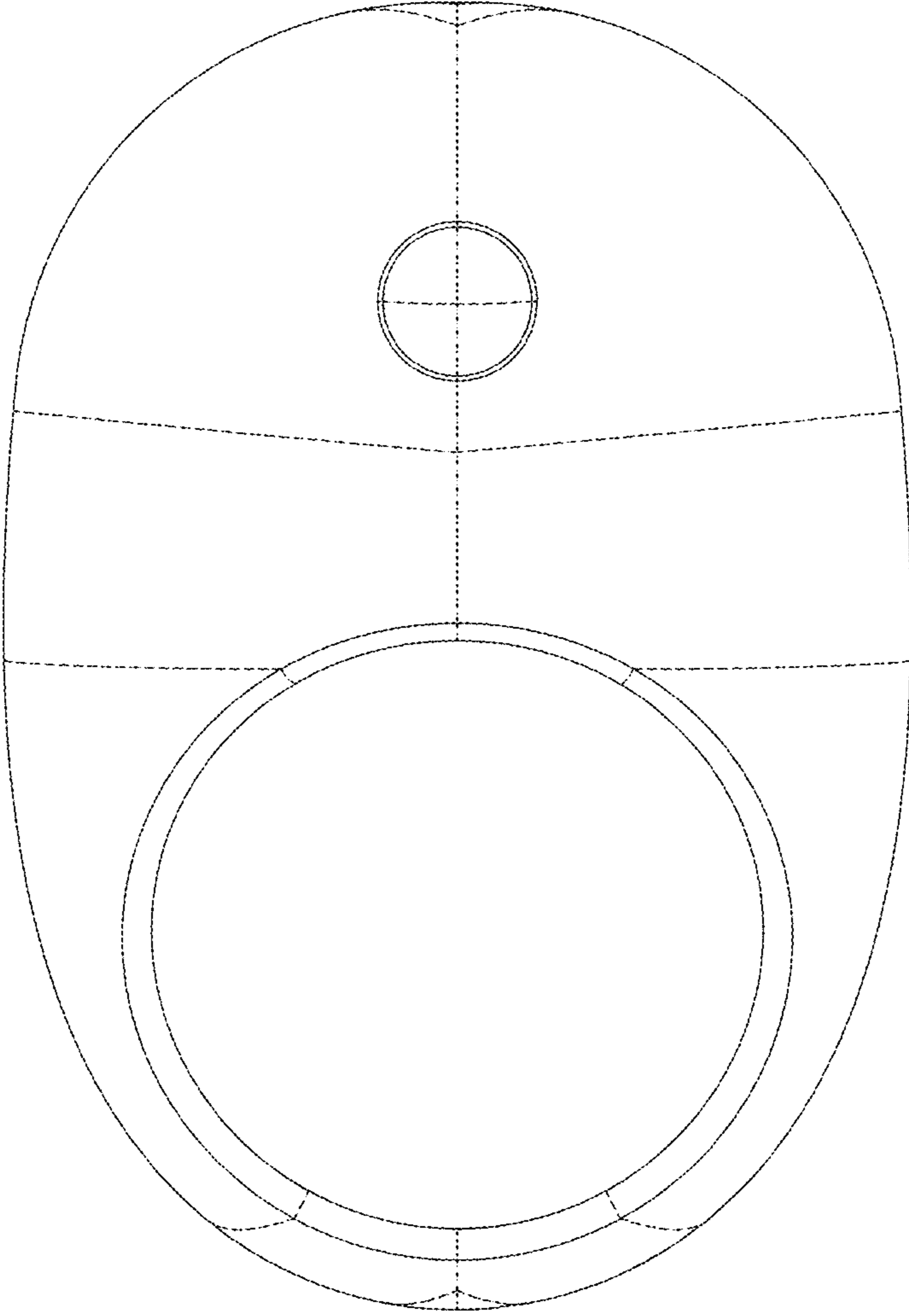


FIG. 2

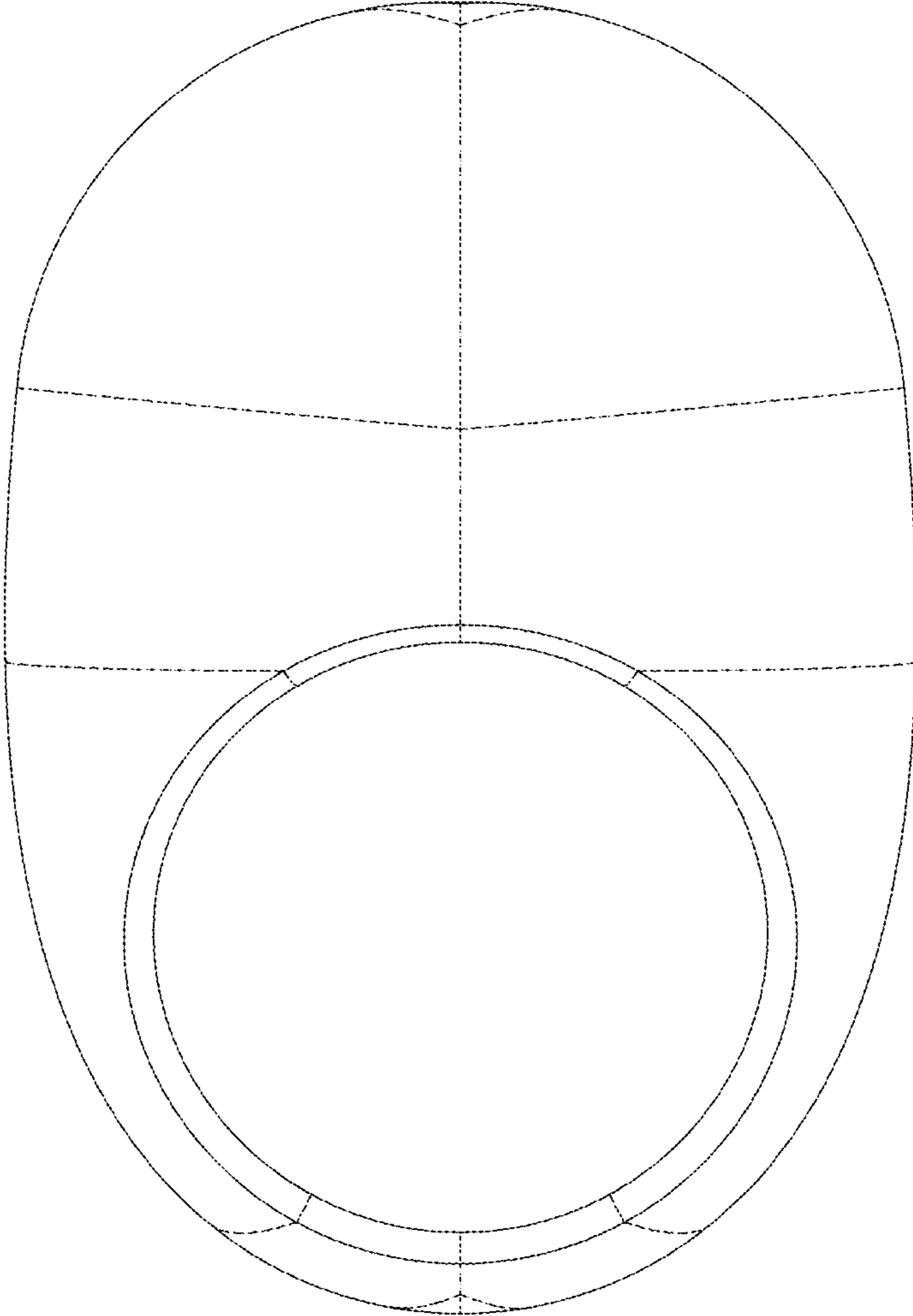


FIG. 3

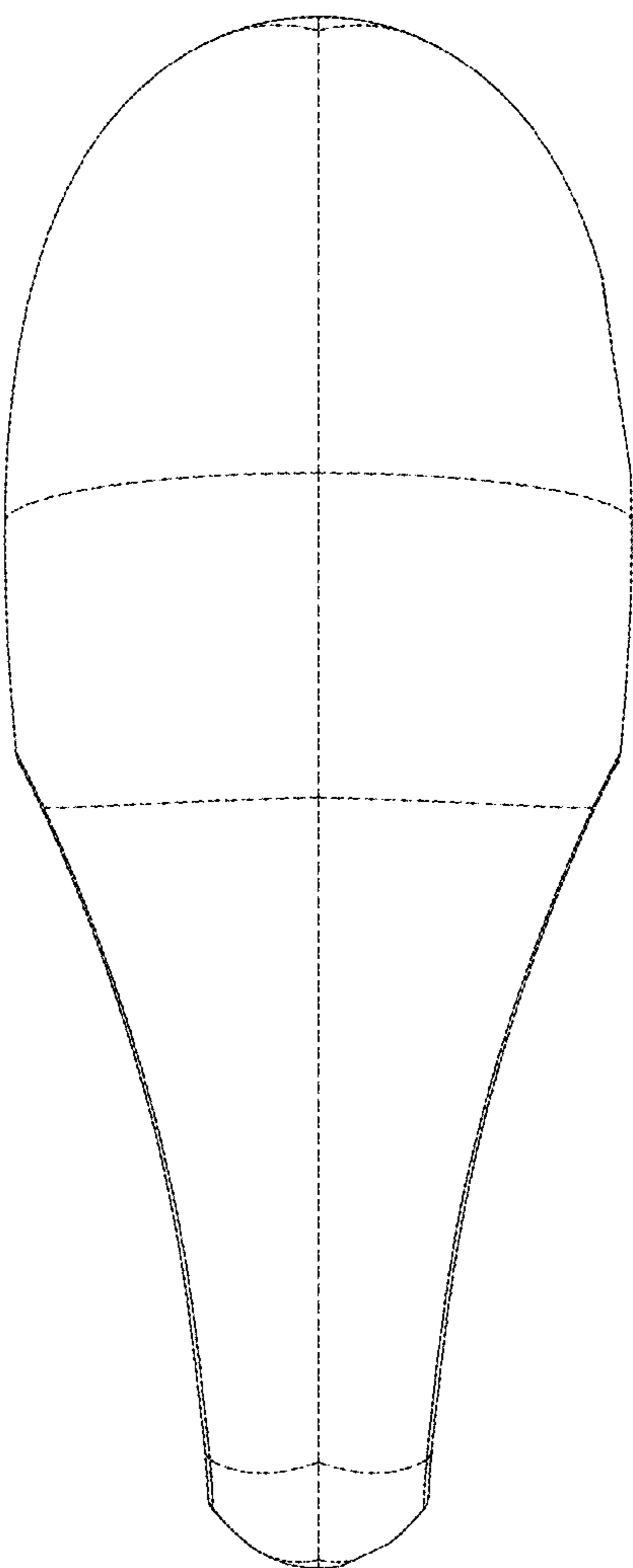


FIG. 4

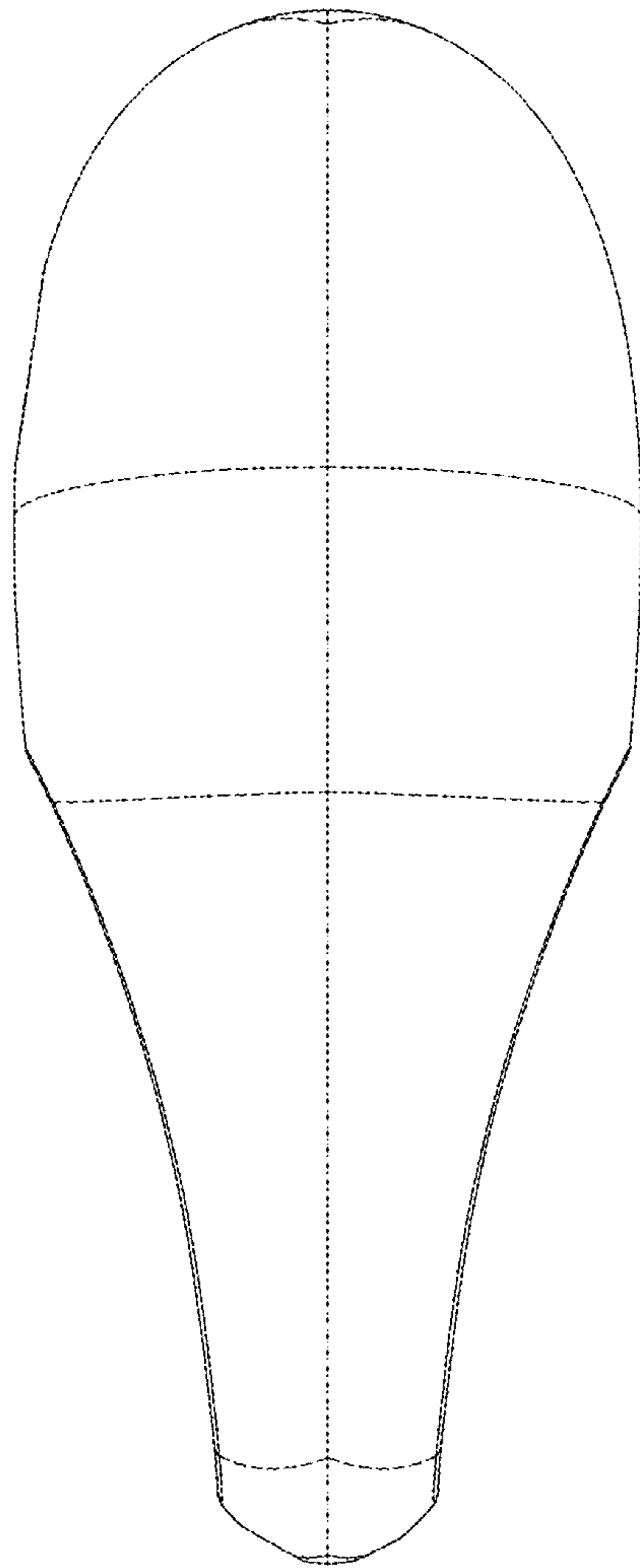


FIG. 5

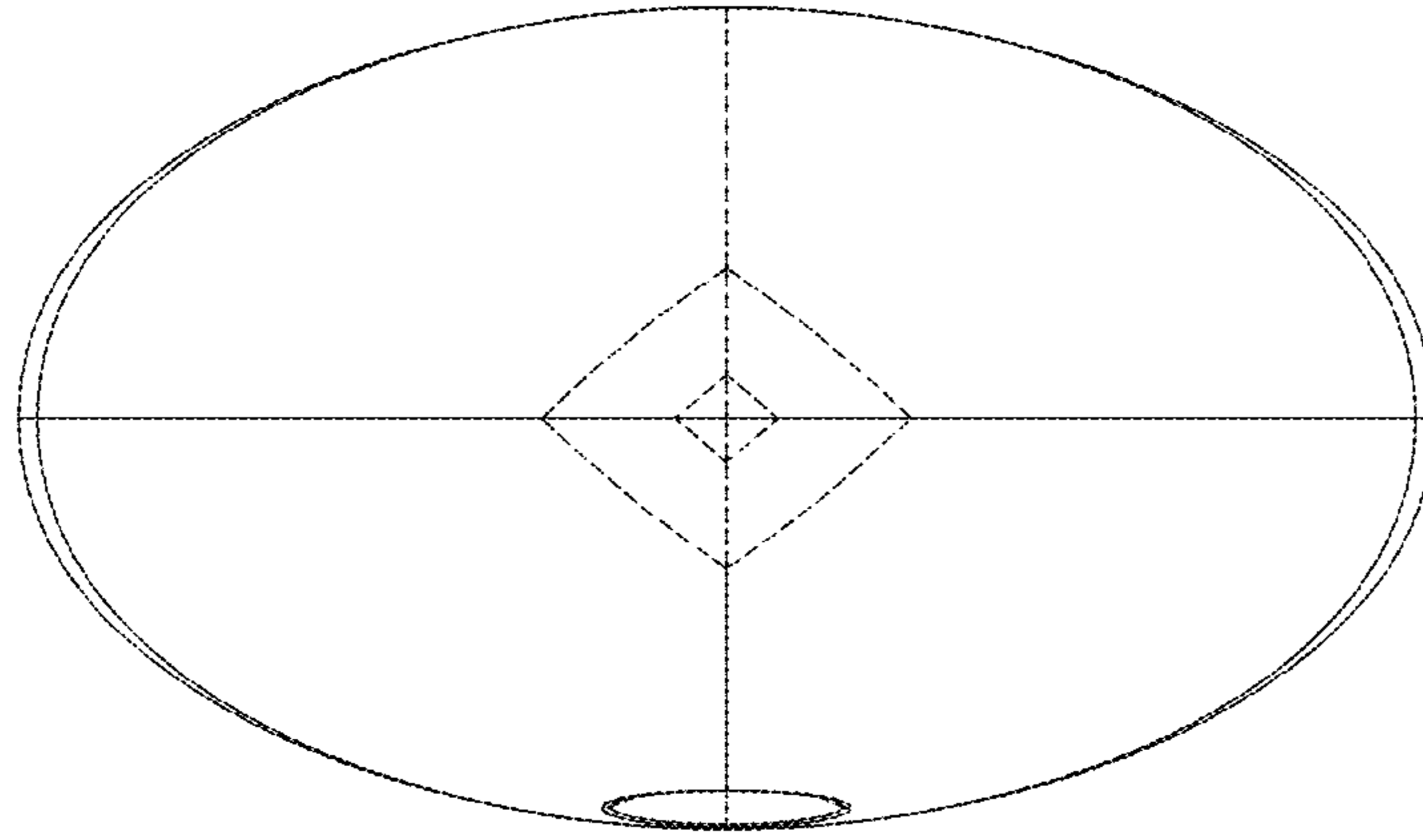


FIG. 6

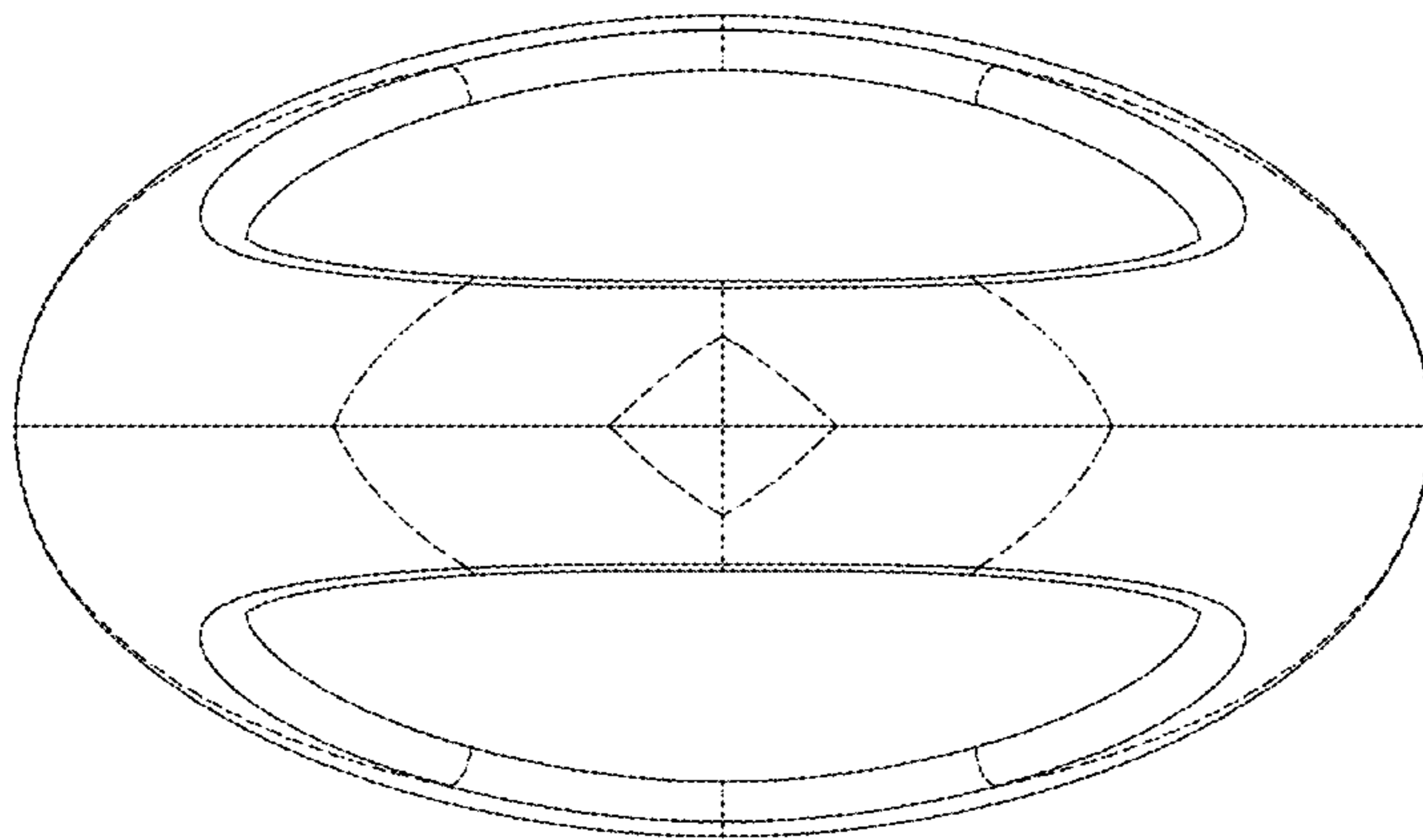


FIG. 7