



US00D824036S

(12) **United States Design Patent**  
**Hu**

(10) **Patent No.:** **US D824,036 S**  
(45) **Date of Patent:** **\*\* Jul. 24, 2018**

(54) **MASSAGER**

(71) Applicant: **Jun Hao Hu**, Guangdong (CN)

(72) Inventor: **Jun Hao Hu**, Guangdong (CN)

(\*\*) Term: **15 Years**

(21) Appl. No.: **29/586,767**

(22) Filed: **Dec. 7, 2016**

(30) **Foreign Application Priority Data**

Nov. 1, 2016 (CN) ..... 2016 3 0523578

(51) **LOC (11) Cl.** ..... **28-03**

(52) **U.S. Cl.**  
USPC ..... **D24/200**

(58) **Field of Classification Search**

USPC ..... D24/107, 128, 200, 205, 214, 215;  
D15/10, 66, 122, 147, 141, 199; D8/14,  
D8/349, 360, 497; D21/578, 662  
CPC ..... A61H 23/04; A61H 23/004; A61H 9/005;  
A61H 19/00; A61H 19/40; A61H  
15/0085; A61H 15/0078; A47C 9/00;  
A47C 1/00; A47C 15/008; F04C 2/00;  
F04C 3/00; F03G 1/00; F03G 3/00; F03G  
5/00

See application file for complete search history.

(56) **References Cited**

**U.S. PATENT DOCUMENTS**

D307,182 S \* 4/1990 Smith ..... D24/128  
D344,993 S \* 3/1994 Laratta ..... D21/676  
5,443,532 A \* 8/1995 Hudak ..... A47C 15/008  
5/620  
D786,950 S \* 5/2017 Armani ..... D15/122  
D810,312 S \* 2/2018 Cascini ..... D24/200

2012/0197073 A1\* 8/2012 Lindholm ..... A47C 15/008  
600/38  
2015/0359696 A1\* 12/2015 Jaguan ..... A47C 15/008  
600/38  
2016/0166465 A1\* 6/2016 Marson ..... A61H 15/00  
601/121

**OTHER PUBLICATIONS**

Hismith Premium Sex Machine, Wire-controlled Love Machine With Dildo; Retrieved from <https://www.amazon.ca/Hismith-Premium-Machine-Wire-controlled-Dildo/dp/B06X6HCLFG>; Retrieved on Mar. 12, 2018. First available on Amazon on Aug. 14, 2017. (Year: 2017).\*

Hismith Premium Sex machine; Retrieved from <https://www.hismith.com/en/hismith-brands/298-hismith-premium-sex-machinewire-controlled-love-machine-with-dildo.html> Retrieved on Mar. 12, 2018. Youtube video review Jul. 26, 2017 (Year: 2017).\*

\* cited by examiner

*Primary Examiner* — Wan Laymon  
*Assistant Examiner* — Clint A Samuel

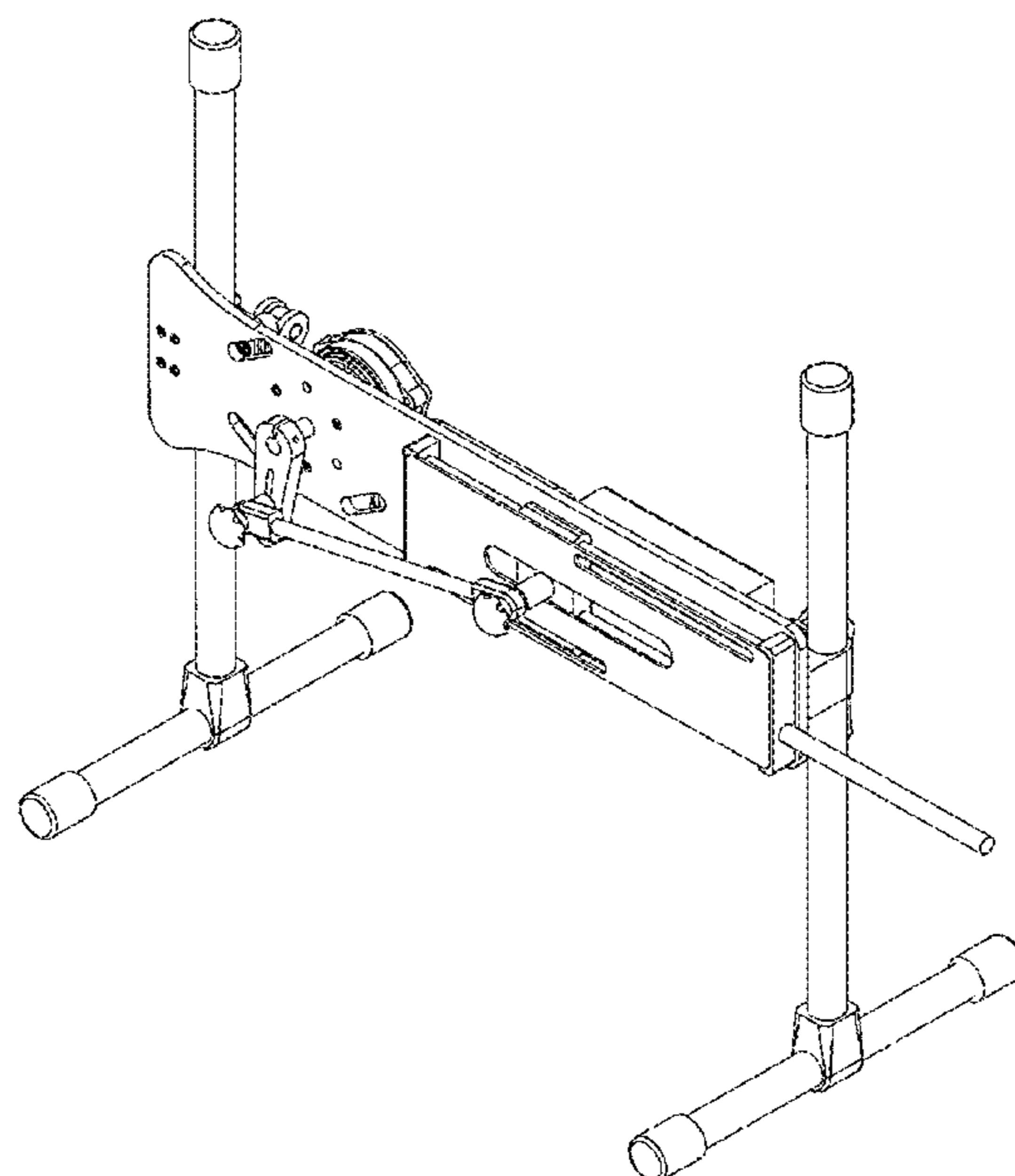
(57) **CLAIM**

The ornamental design for massager, as shown and described.

**DESCRIPTION**

FIG. 1 is a rear and left side perspective view of a massager showing the new design;  
FIG. 2 is a front elevation view thereof;  
FIG. 3 is a rear elevation view thereof;  
FIG. 4 is a top plan view thereof;  
FIG. 5 is a bottom plan view thereof;  
FIG. 6 is a left side elevation thereof; and,  
FIG. 7 is a right side elevation view thereof.

**1 Claim, 7 Drawing Sheets**



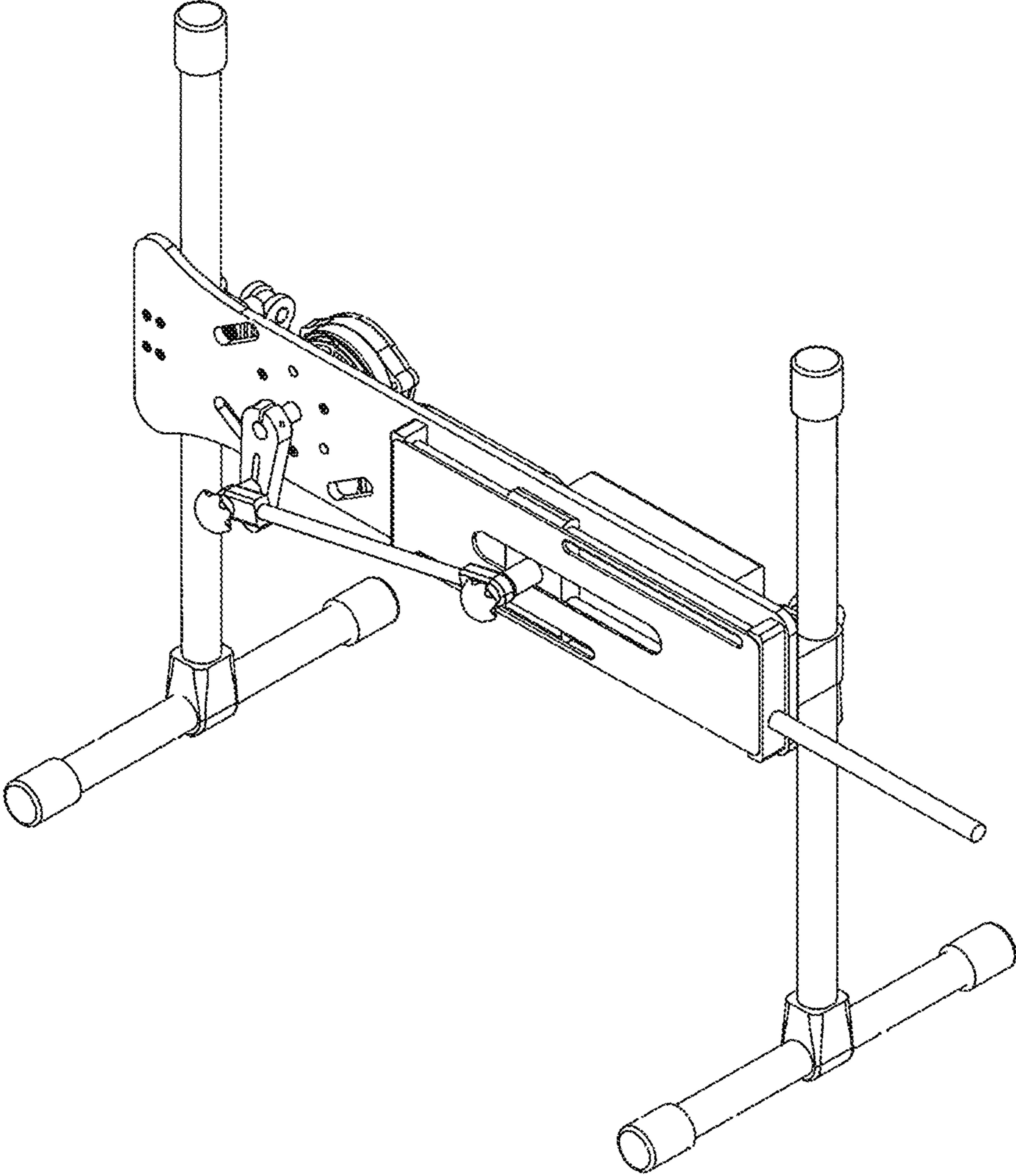


Fig. 1

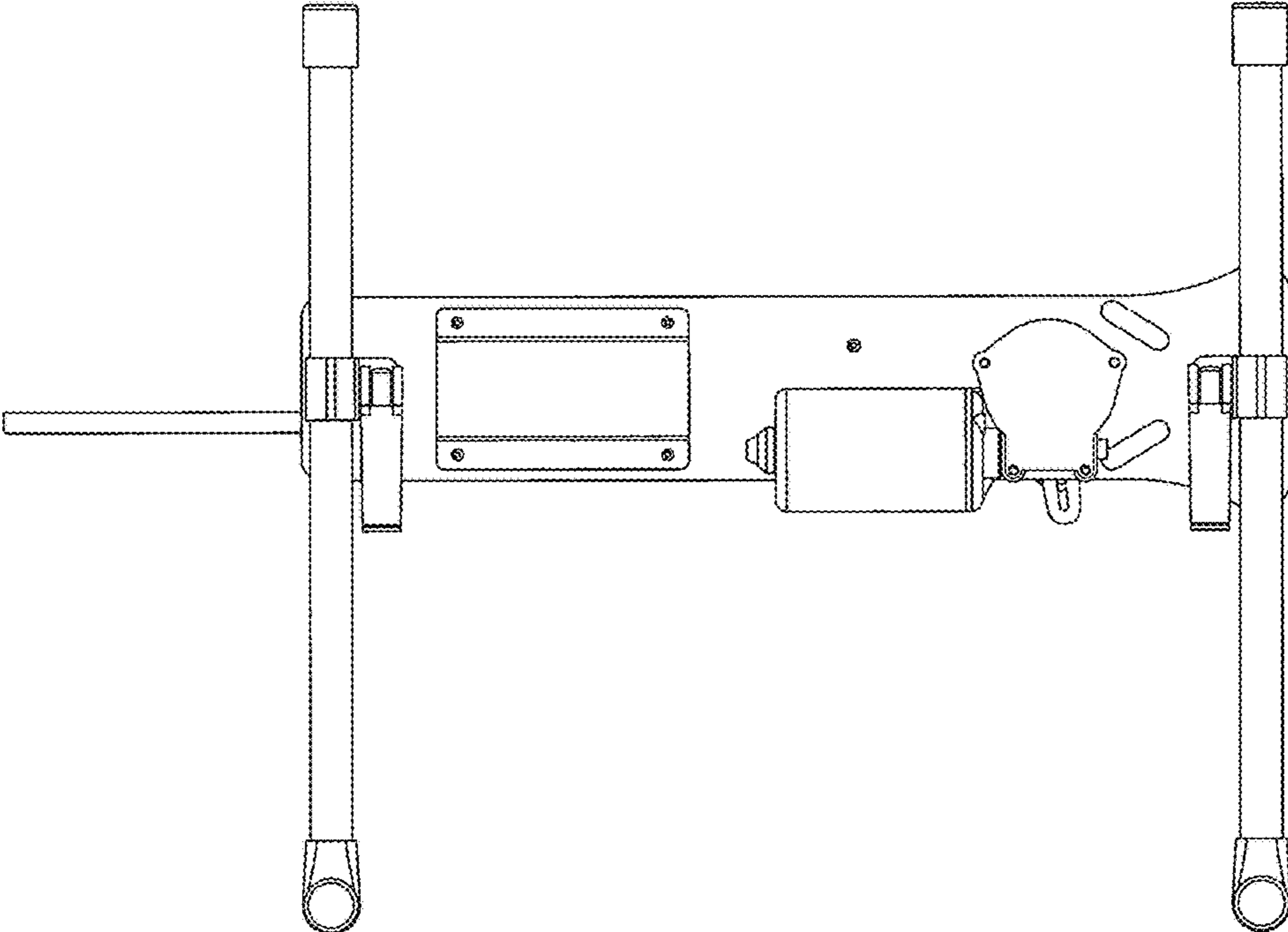


Fig. 2

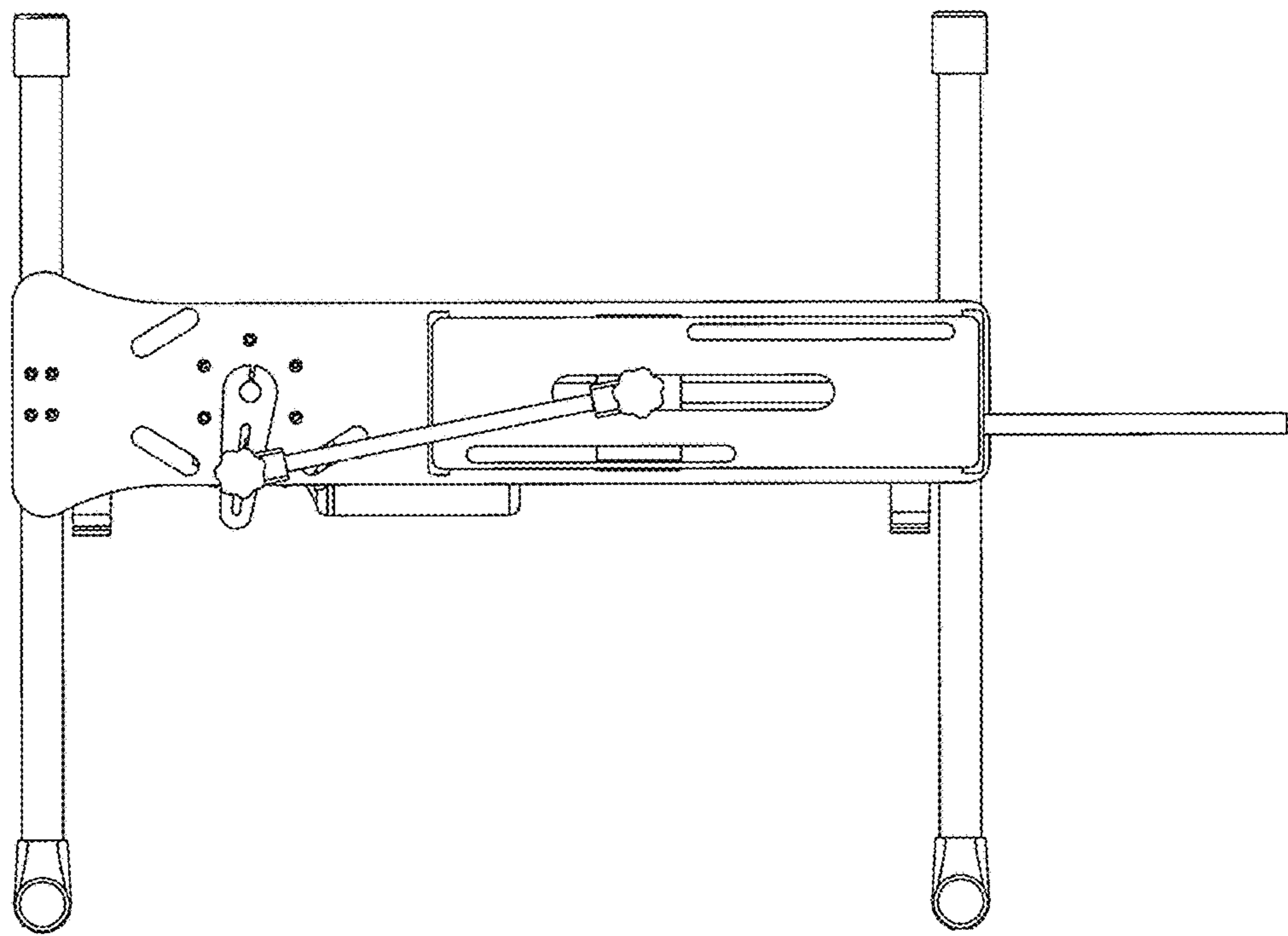


Fig. 3

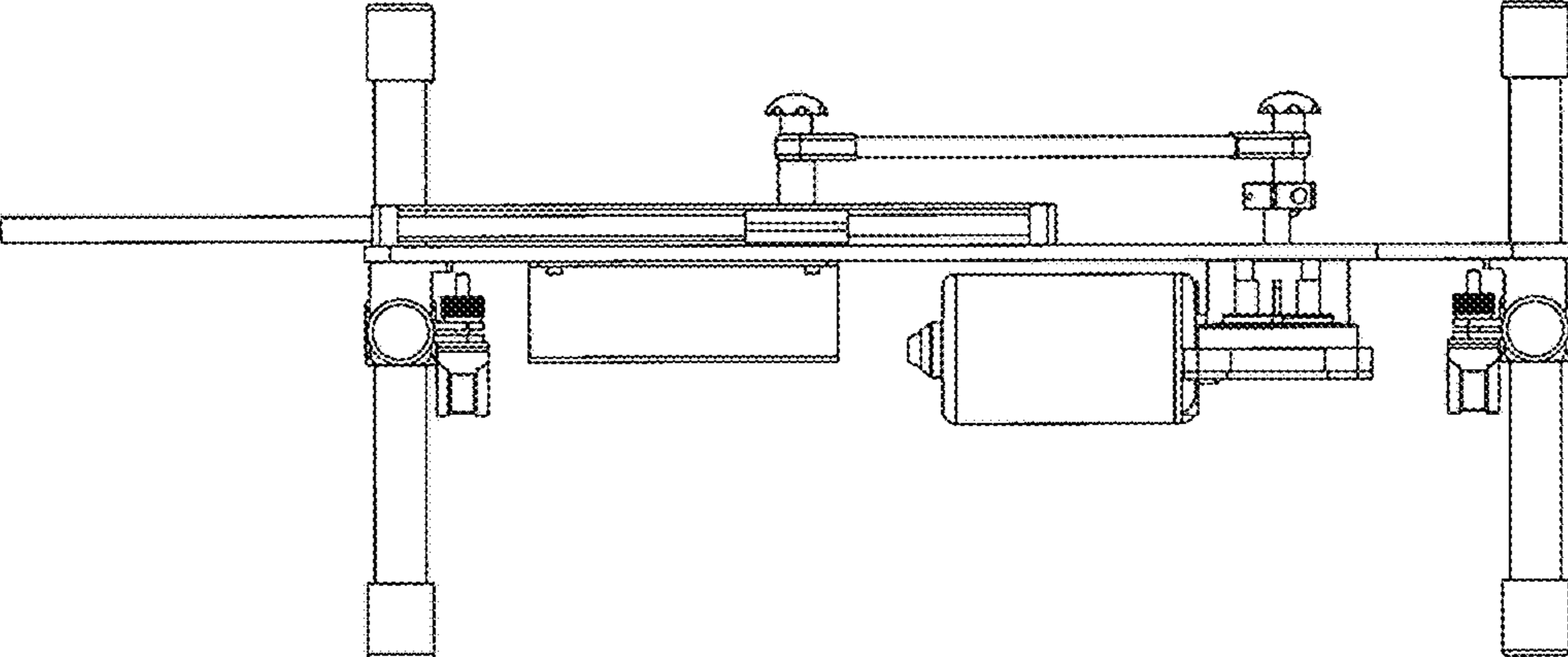


Fig. 4

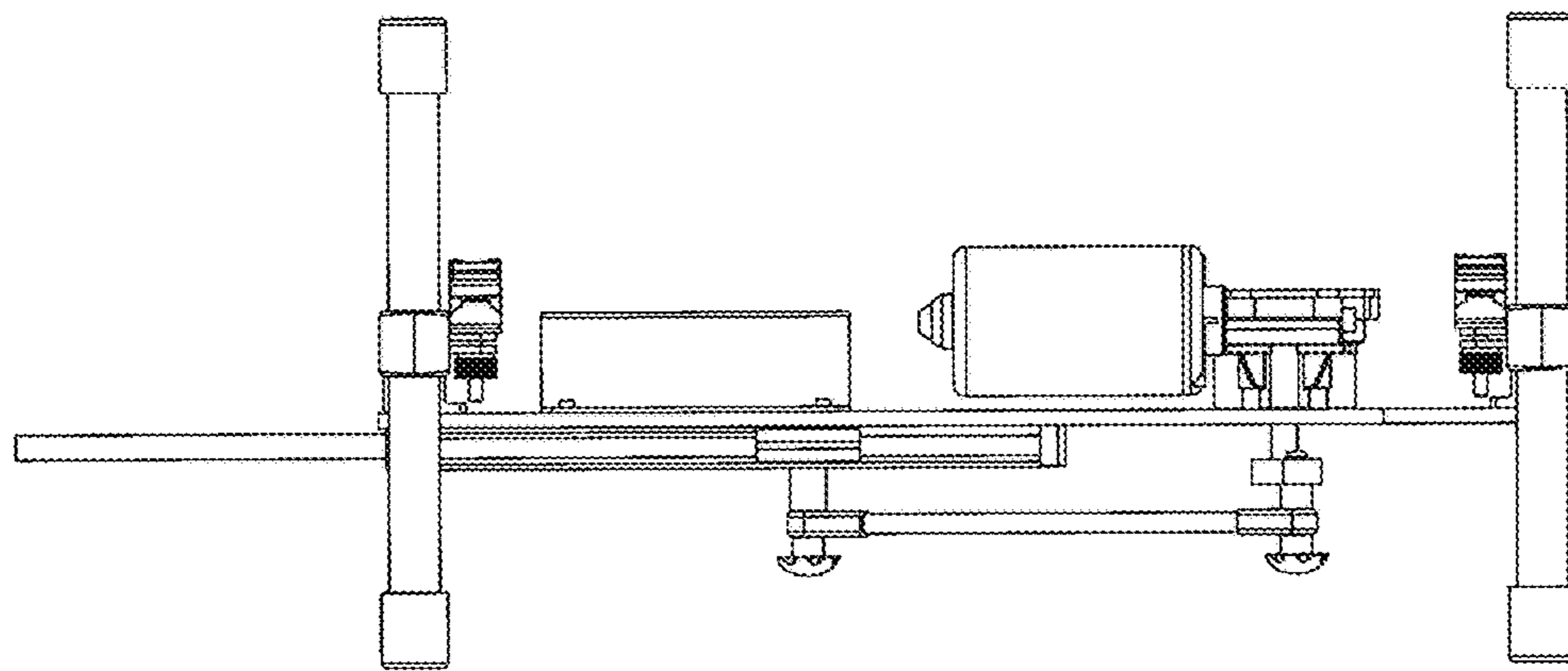


Fig. 5

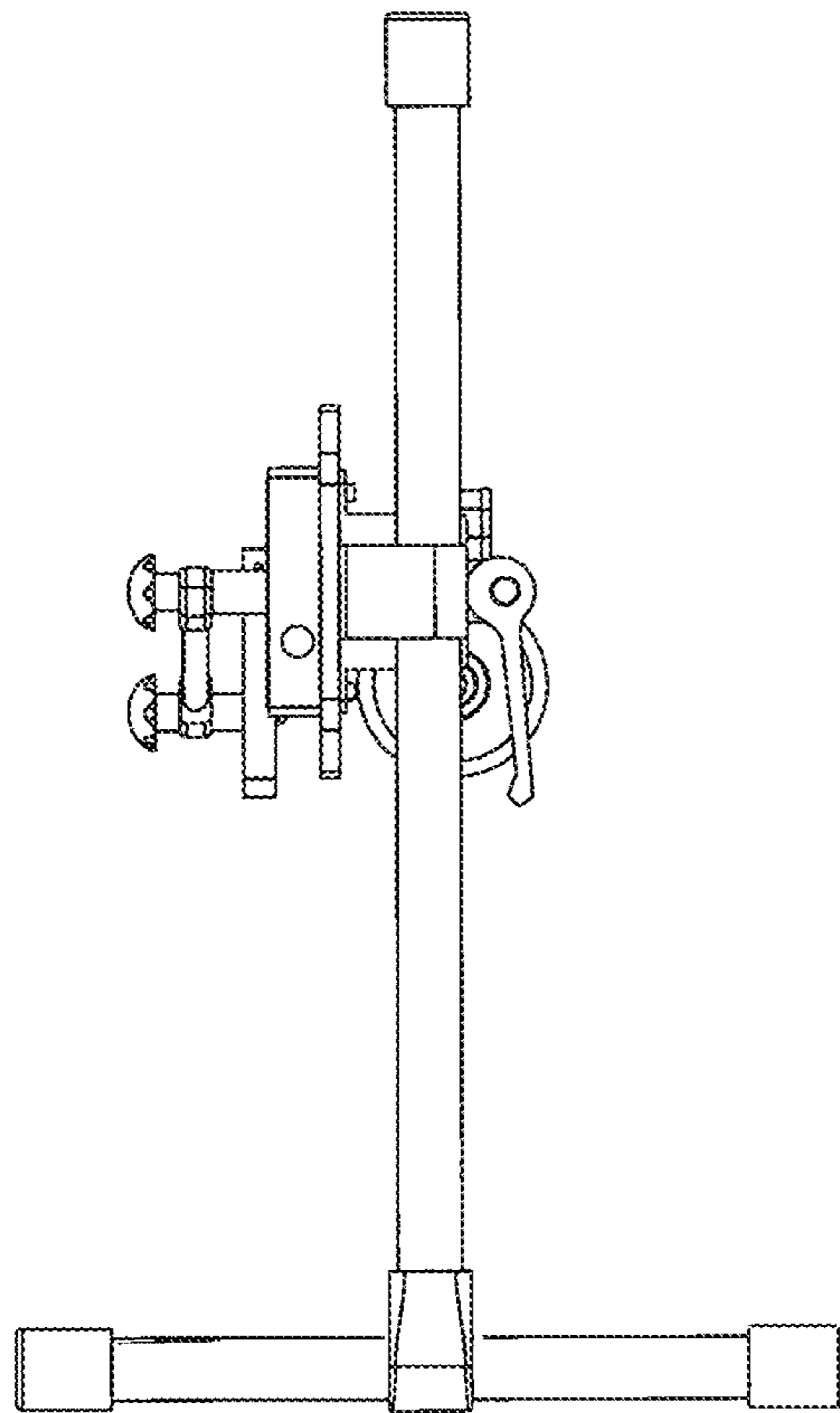


Fig. 6

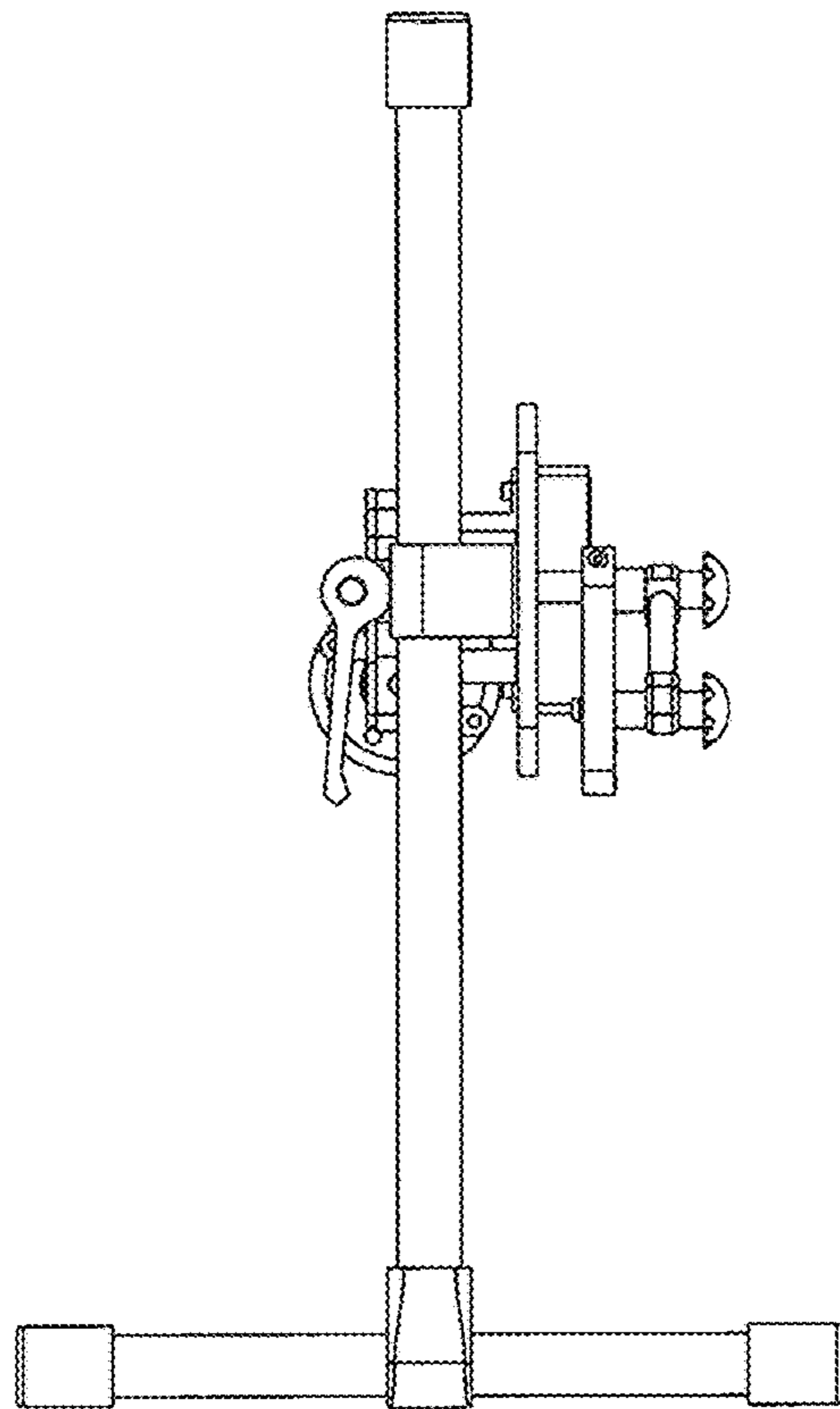


Fig. 7