



US00D824033S

(12) **United States Design Patent**  
**Masuyama et al.**

(10) **Patent No.:** **US D824,033 S**

(45) **Date of Patent:** **\*\* Jul. 24, 2018**

(54) **MEASURING INSTRUMENT FOR HEART RATE**

(71) Applicant: **FUJITSU LIMITED**, Kawasaki-shi (JP)

(72) Inventors: **Nobuharu Masuyama**, Kawasaki (JP);  
**Hiroshi Nonoyama**, Tokyo (JP)

(73) Assignee: **FUJITSU LIMITED**, Kawasaki (JP)

(\*\*) Term: **15 Years**

(21) Appl. No.: **35/502,018**

(22) Filed: **May 30, 2016**

(80) **Hague Agreement Data**

Int. Filing Date: **May 30, 2016**

Int. Reg. No.: **DM/092783**

Int. Reg. Date: **May 30, 2016**

Int. Reg. Pub. Date: **Dec. 2, 2016**

(30) **Foreign Application Priority Data**

Nov. 30, 2015 (JP) ..... 2015-026721

(51) **LOC (11) Cl.** ..... **24-02**

(52) **U.S. Cl.**  
USPC ..... **D24/167; D10/32**

(58) **Field of Classification Search**  
USPC ..... **D10/104.1, 70, 65, 39, 104.2, 32;**  
**D24/167, 165**

See application file for complete search history.

(56) **References Cited**

U.S. PATENT DOCUMENTS

D750,521 S \* 3/2016 Poesel ..... D10/104.1  
D781,164 S \* 3/2017 Haapakoski ..... D10/39  
D802,453 S \* 11/2017 Page ..... D10/70  
D803,709 S \* 11/2017 Le Bihan ..... D10/70

\* cited by examiner

*Primary Examiner* — George D. Kirschbaum

(74) *Attorney, Agent, or Firm* — Oblon, McClelland,  
Maier & Neustadt, L.L.P.

(57) **CLAIM**

The ornamental design for a measuring instrument for heart rate, as shown and described.

**DESCRIPTION**

1. Measuring instrument for heart rate

1.1 is a front plan view;

1.2 is a rear plan view;

1.3 is a left side view;

1.4 is a top plan view;

1.5 is a bottom plan view;

1.6 is a front and left side perspective view;

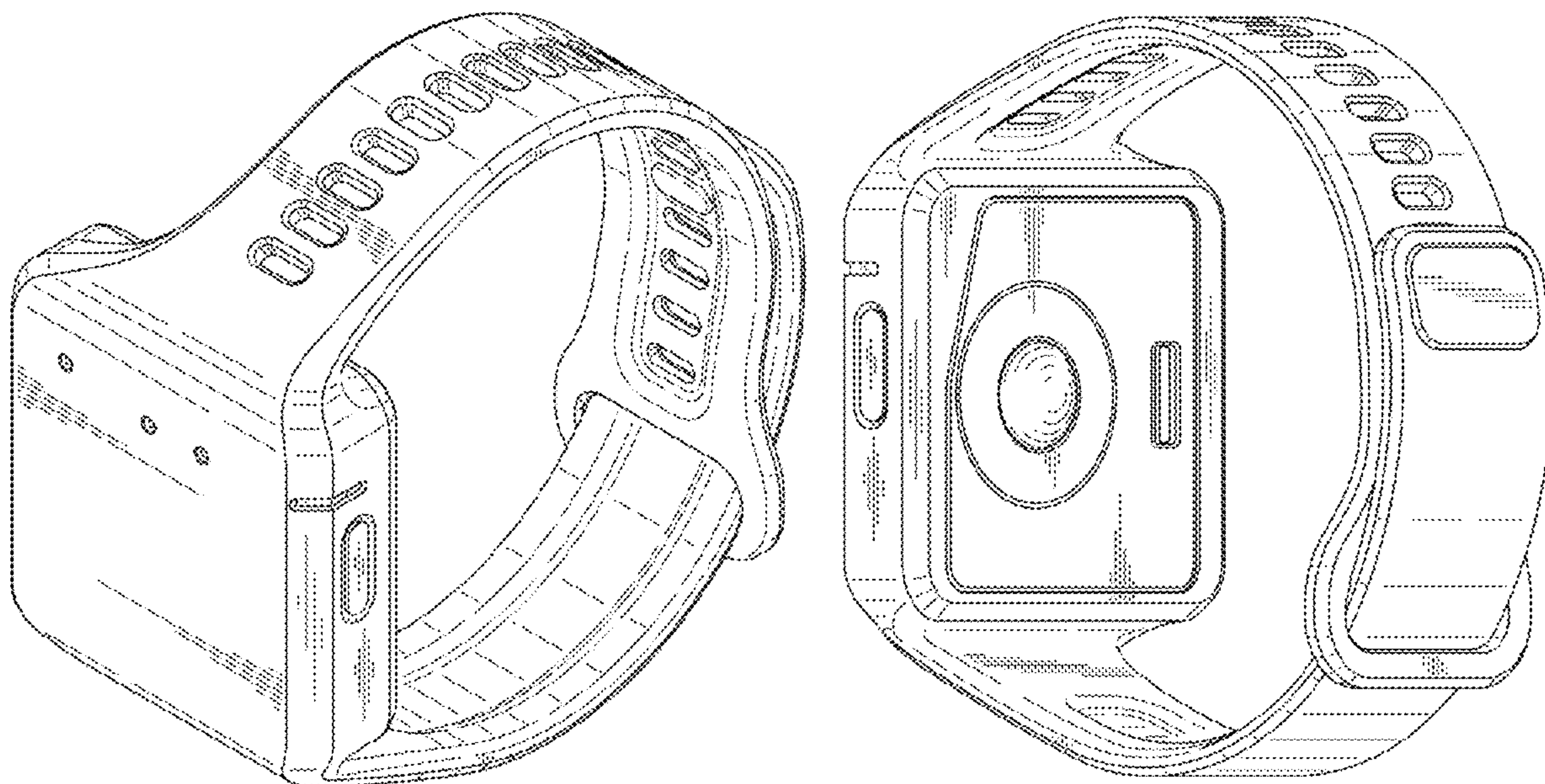
1.7 is a rear and right side perspective view;

1.8 is a front, right side, and top perspective view;

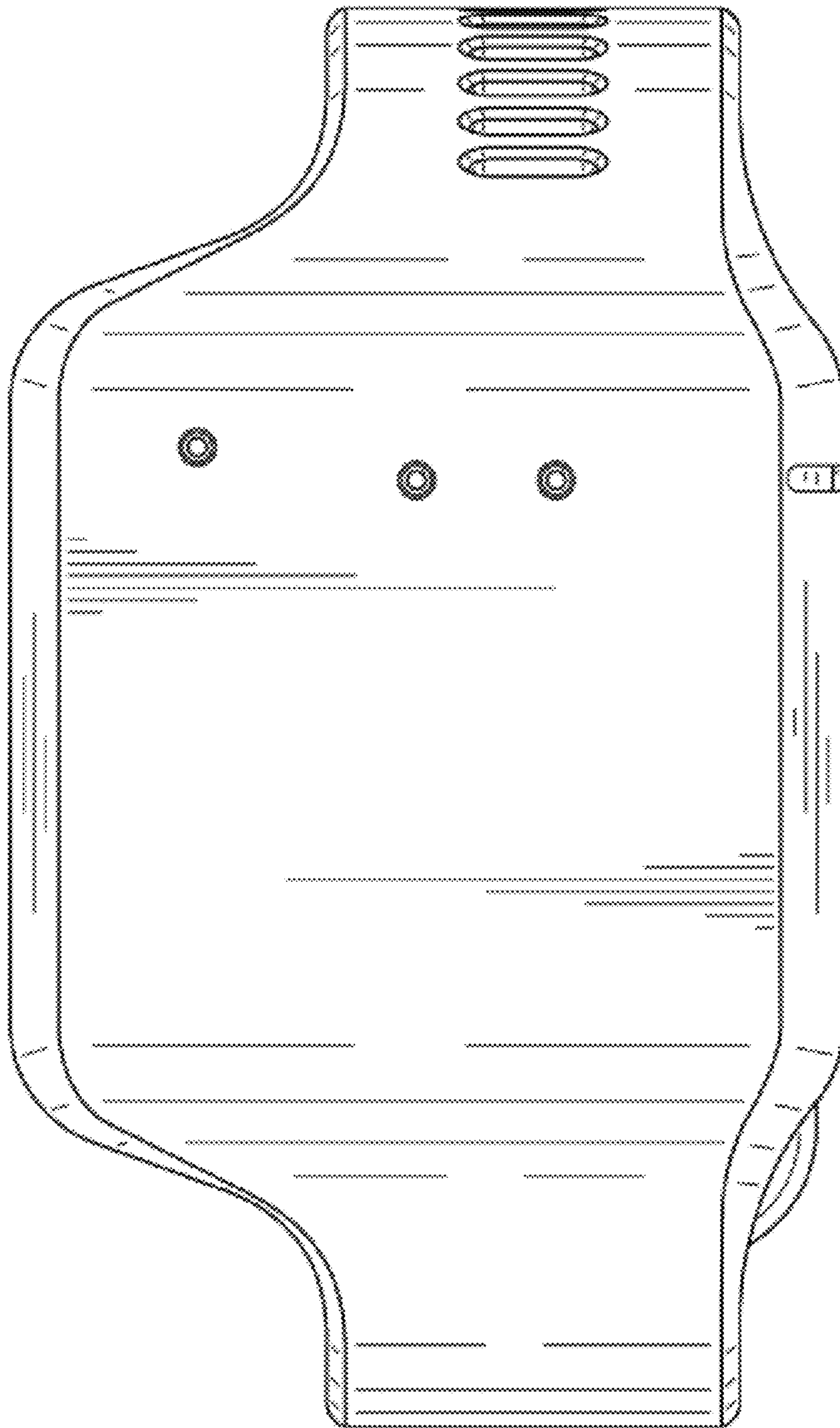
1.9 is a second rear and right side perspective view; and

1.10 is a right side view.

**1 Claim, 10 Drawing Sheets**

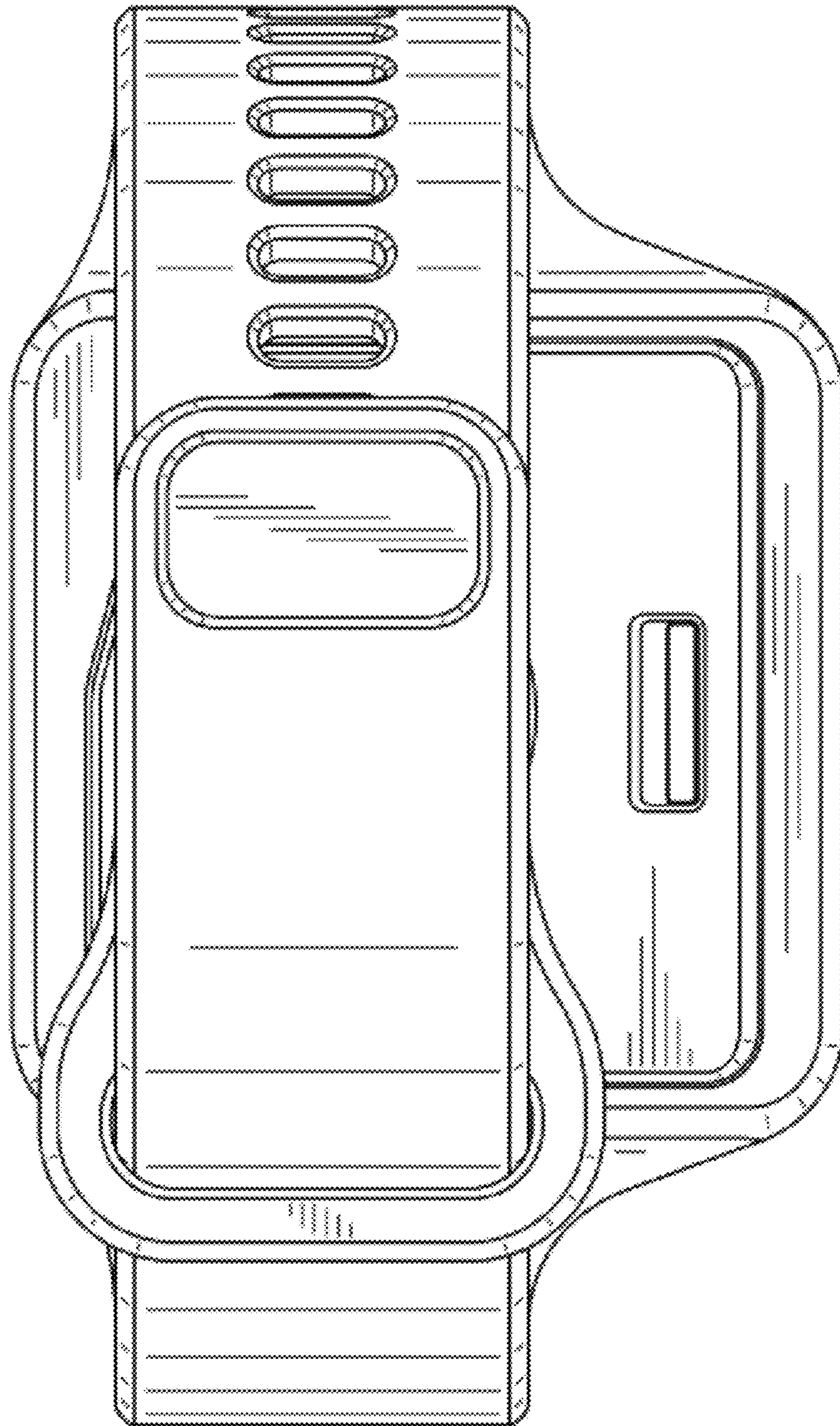


1.1

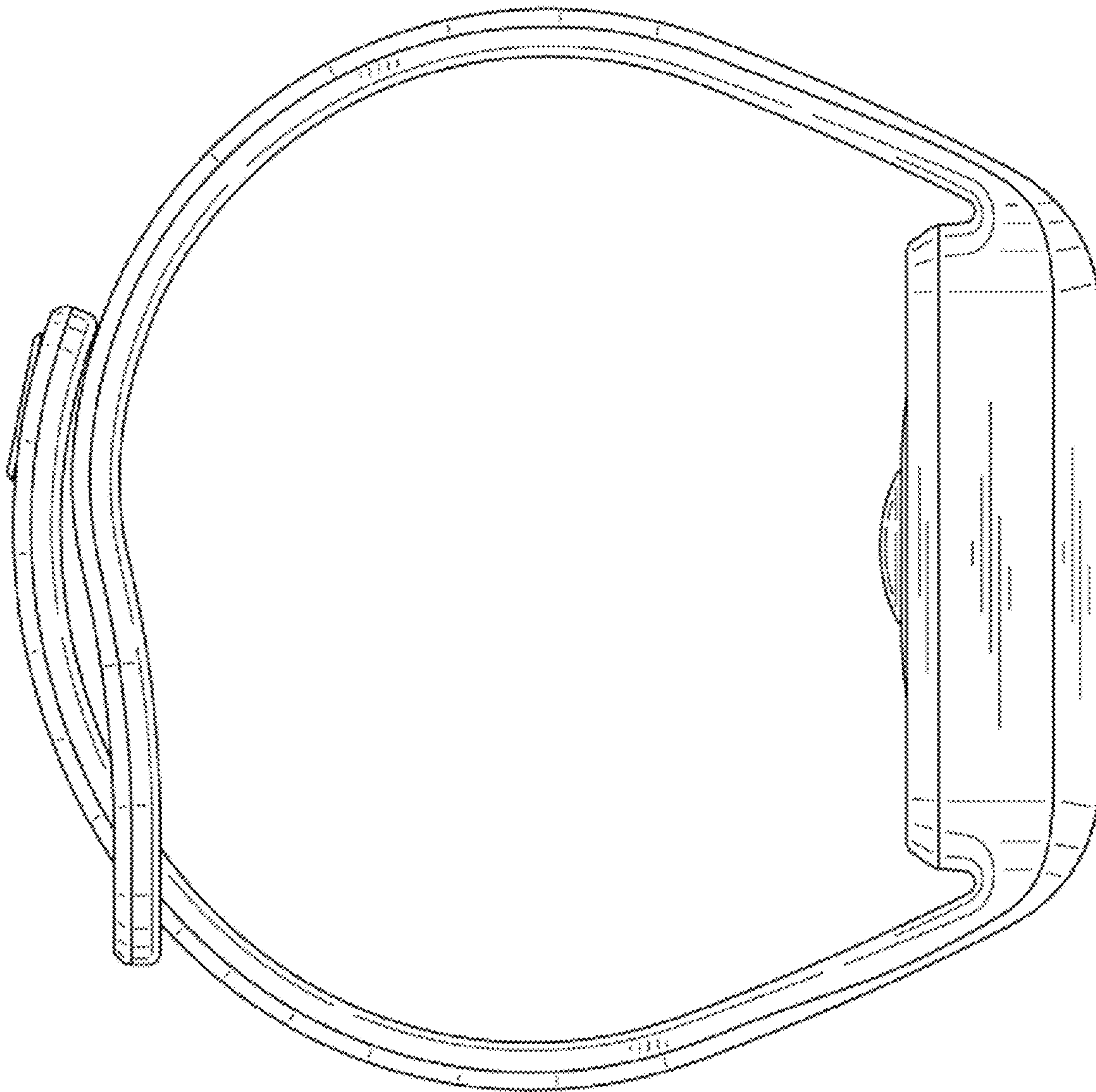




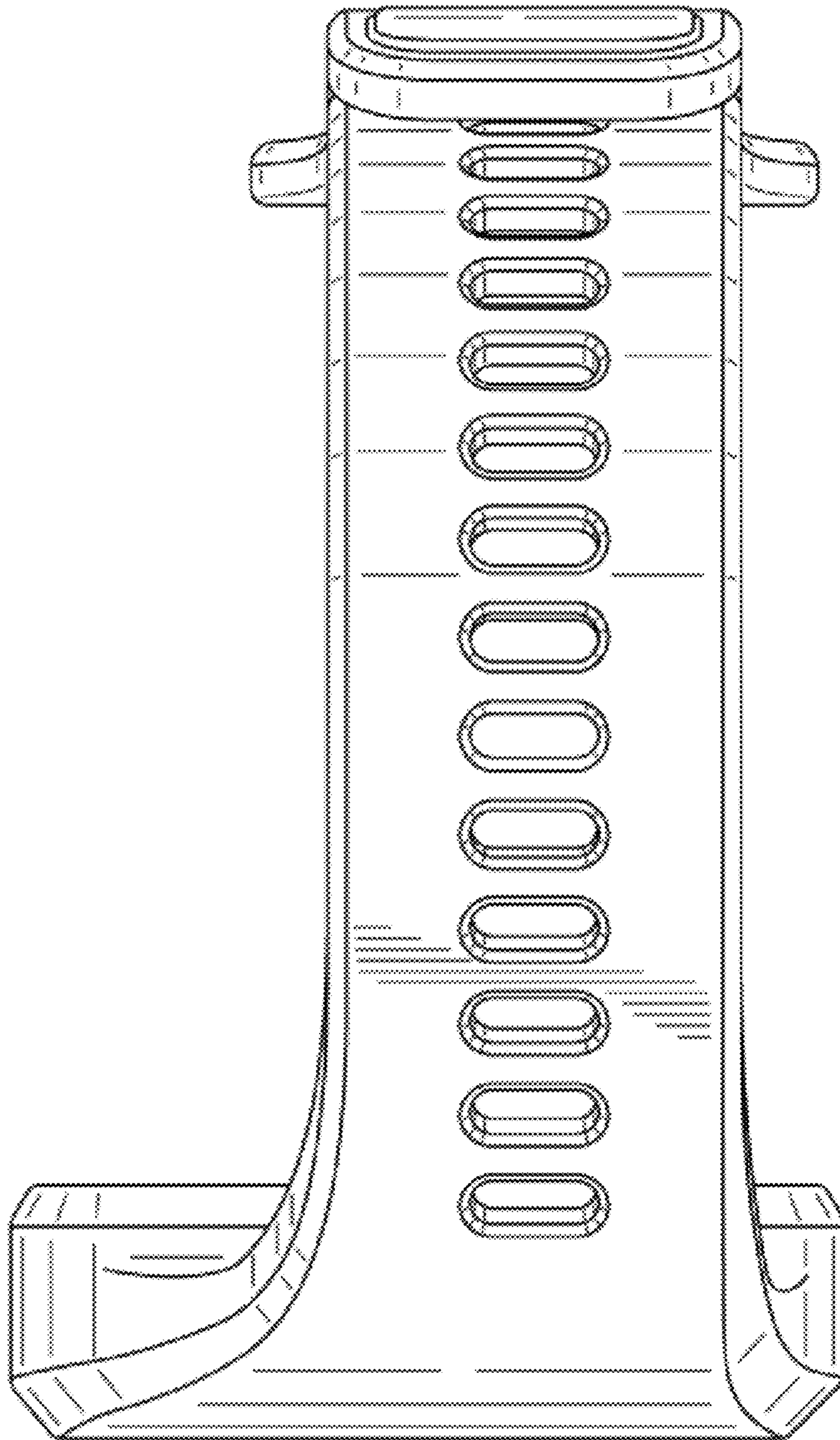
1.2



1.3

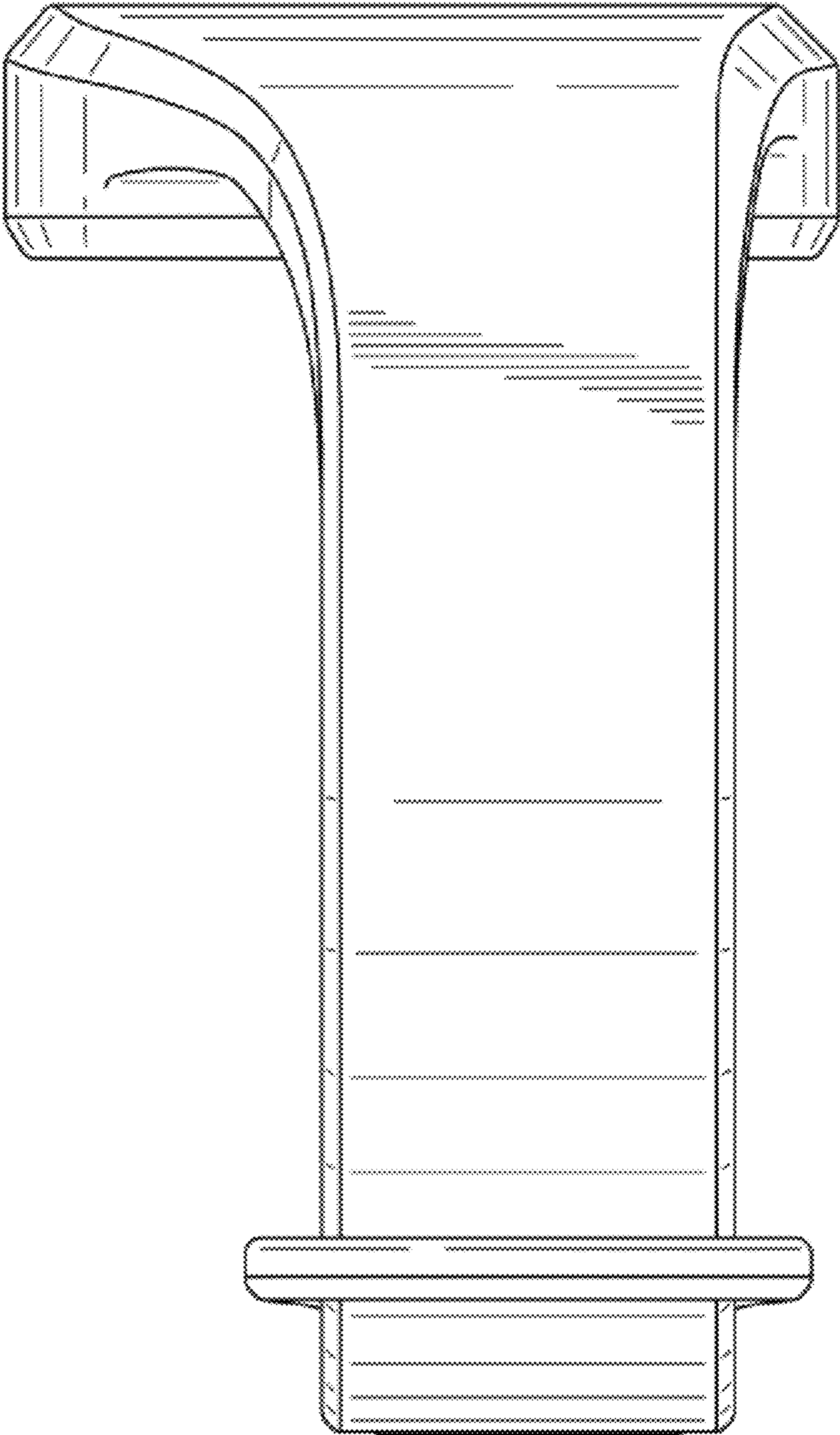


1.4

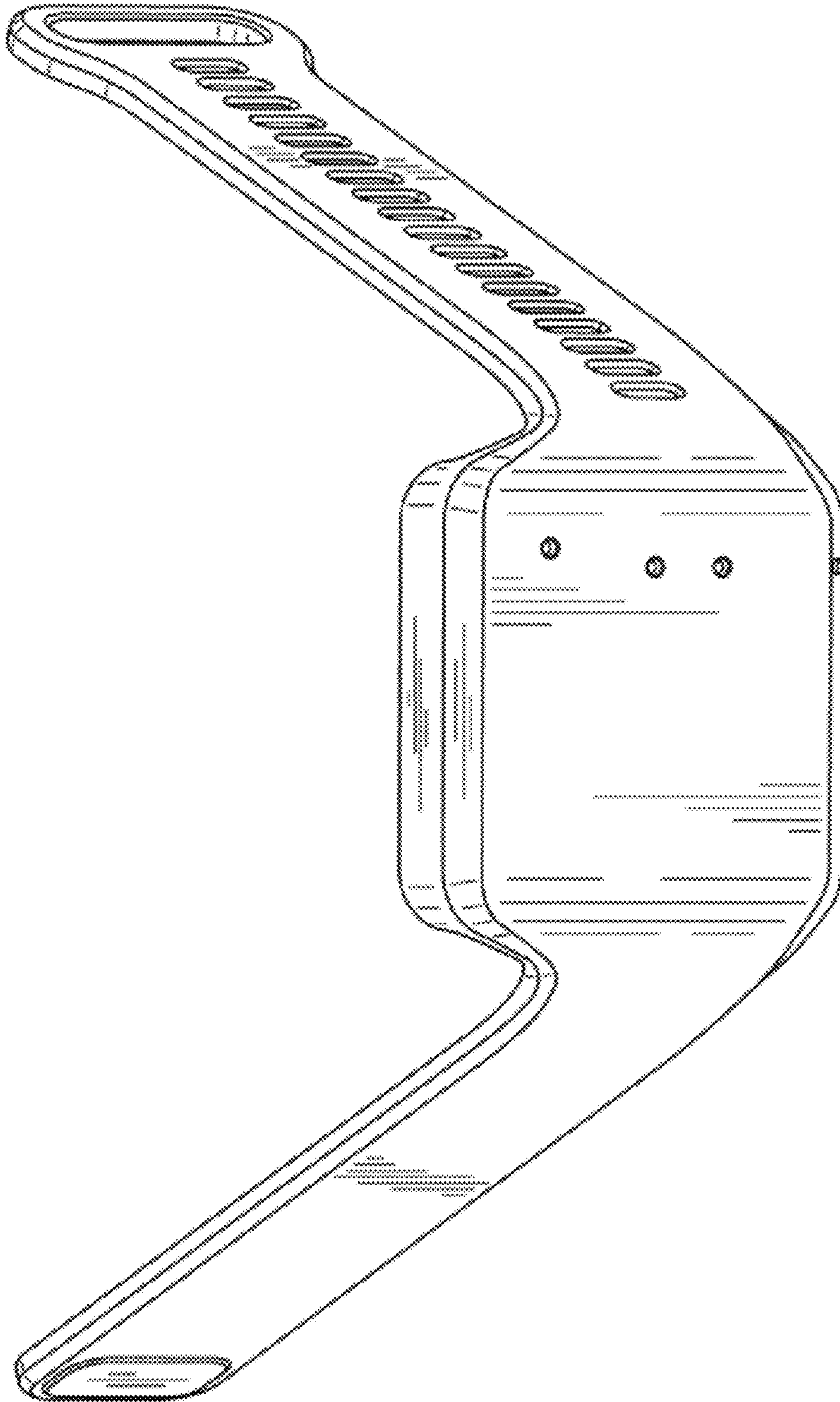




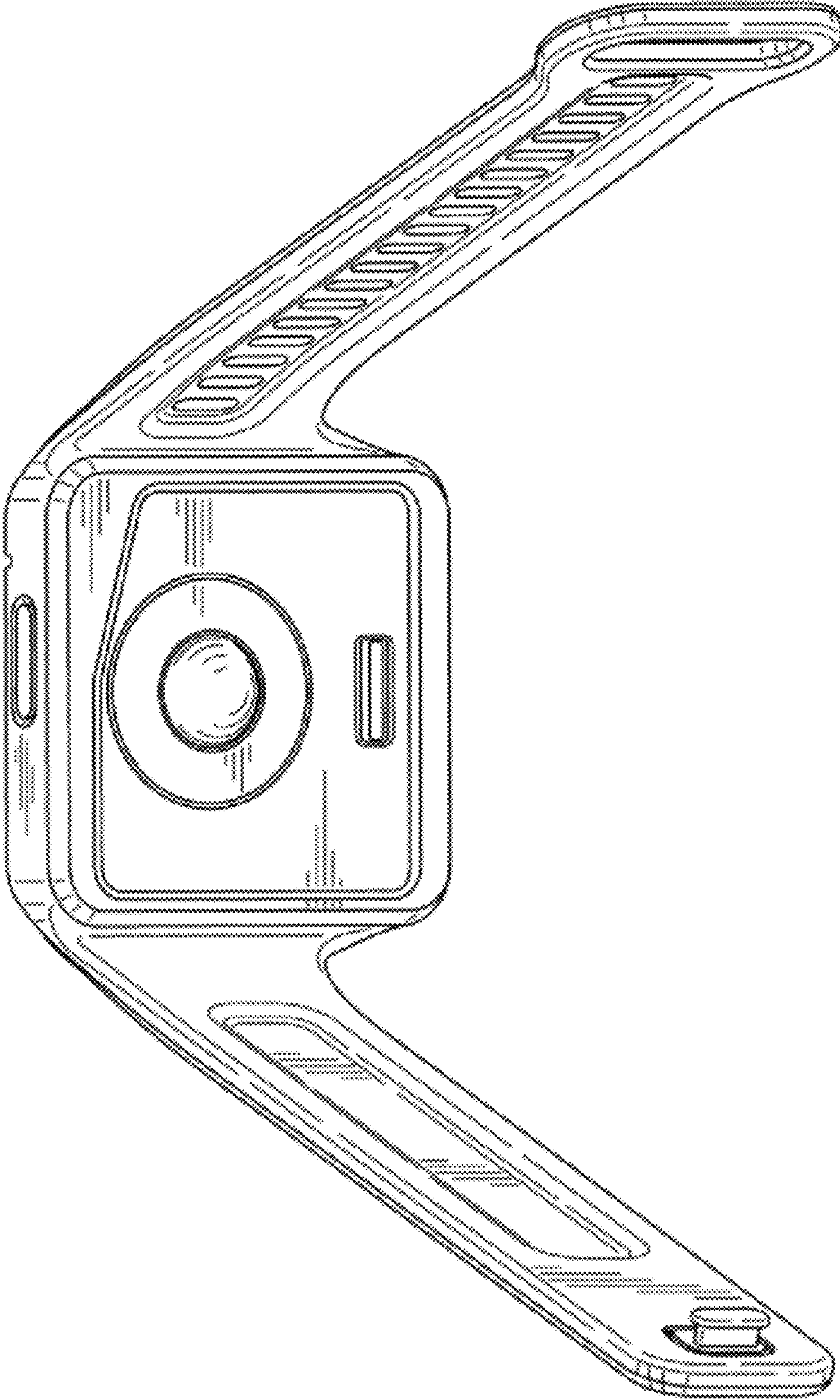
1.5



1.6

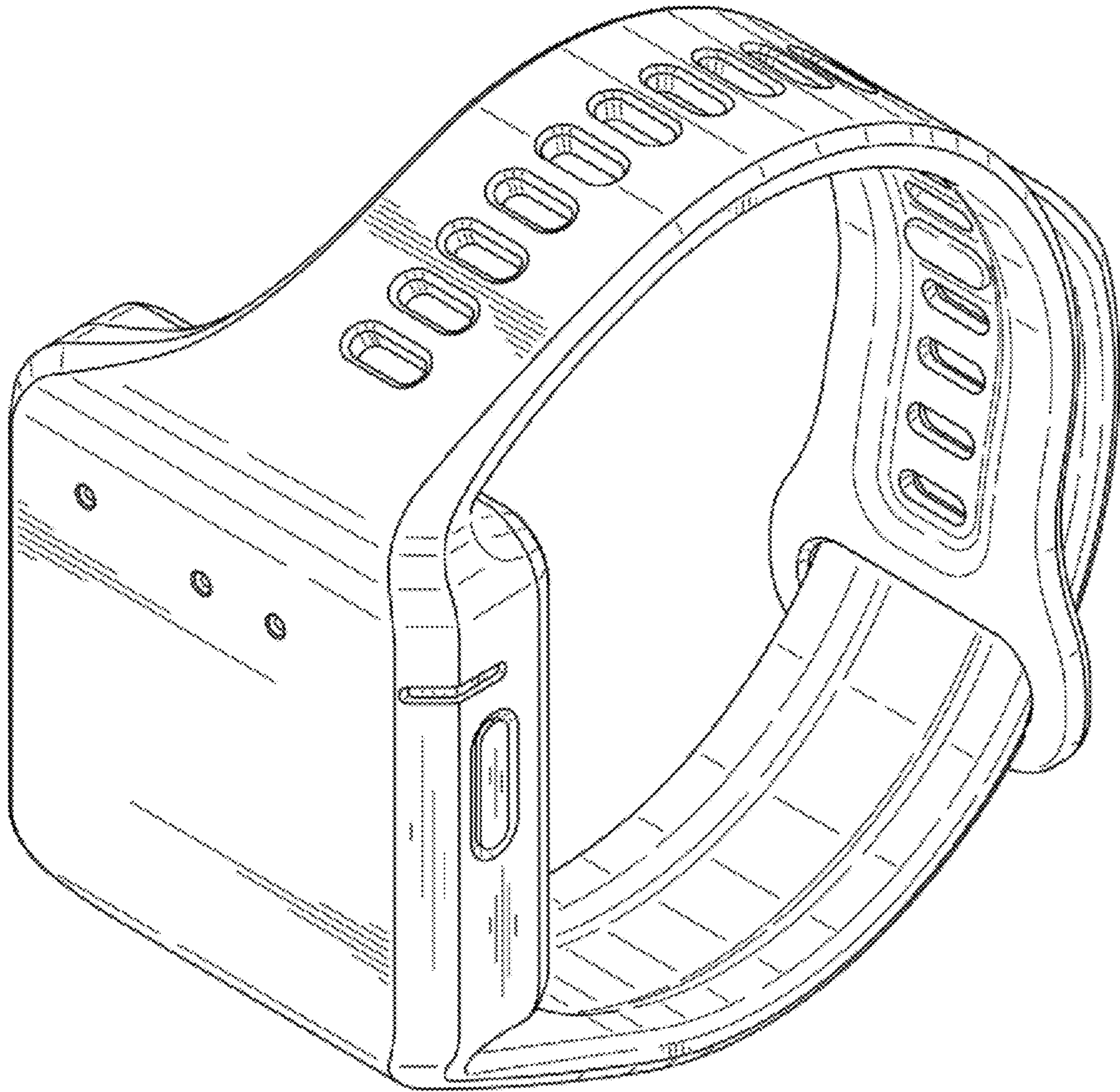


1.7

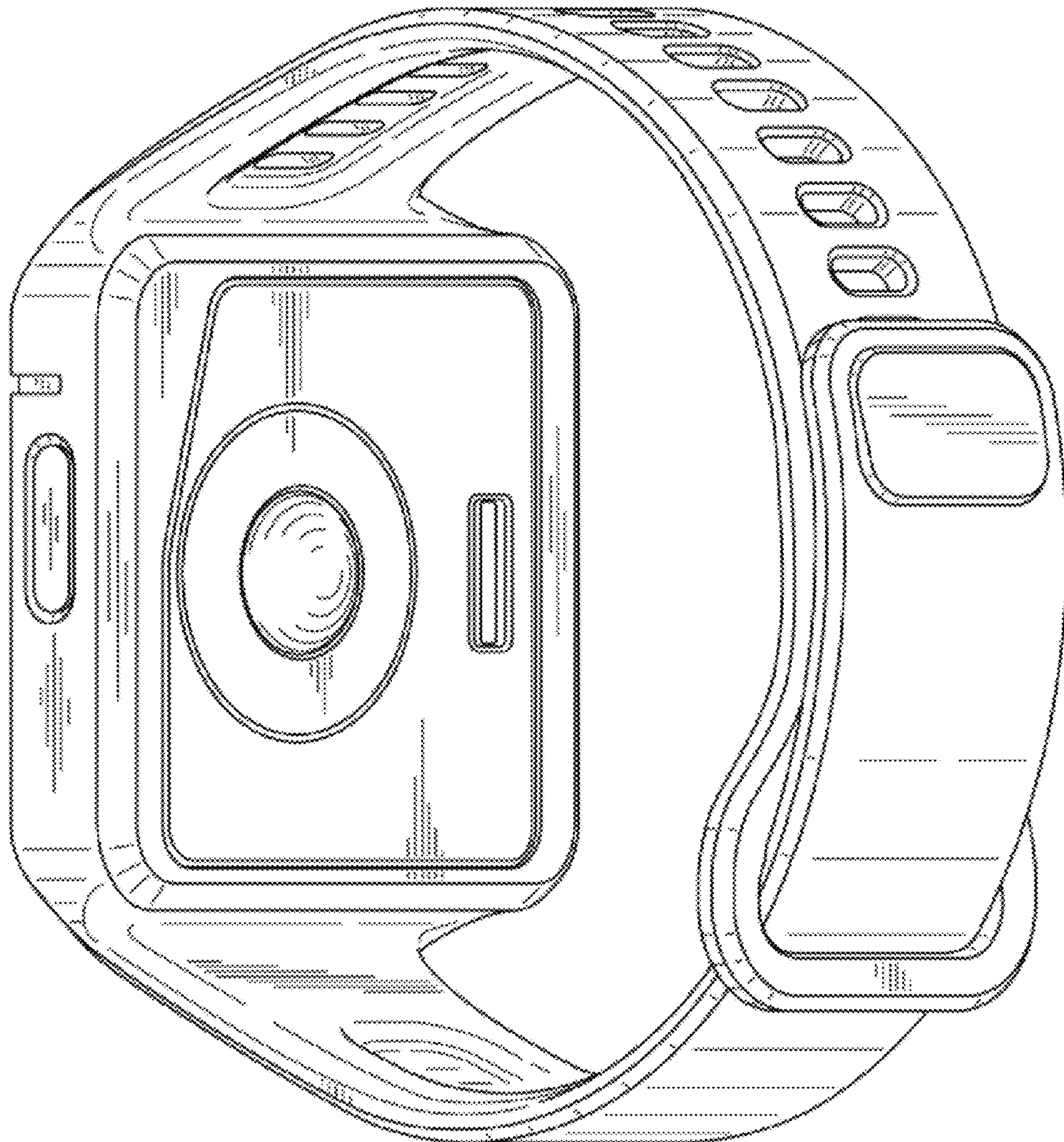




1.8



1.9





1.10

