



US00D824032S

(12) **United States Design Patent** (10) **Patent No.:** **US D824,032 S**
Poulsen et al. (45) **Date of Patent:** **** Jul. 24, 2018**

(54) **RADIAL ARM SUPPORT BOARD**
(71) Applicant: **Merit Medical Systems, Inc.**, South Jordan, UT (US)
(72) Inventors: **Stephanie S. Poulsen**, Murray, UT (US); **Victor Antar**, Selby (GB)
(73) Assignee: **Merit Medical Systems, Inc.**, South Jordan, UT (US)

D299,539 S 1/1989 Kennedy
D318,923 S 8/1991 Marsh
D333,520 S 2/1993 Mann
5,263,497 A 11/1993 Grabenkort et al.
5,291,903 A 3/1994 Reeves
(Continued)

FOREIGN PATENT DOCUMENTS

GB 2472246 2/2007
WO 2005090072 9/2005

(**) Term: **15 Years**

OTHER PUBLICATIONS

(21) Appl. No.: **29/584,848**
(22) Filed: **Nov. 17, 2016**
(51) **LOC (11) Cl.** **24-01**
(52) **U.S. Cl.**
USPC **D24/159**; D24/183
(58) **Field of Classification Search**
USPC D24/158-161, 185, 186, 107, 128, 183,
D24/184
CPC .. A61G 13/1235; A61G 2210/50; A61B 6/04;
A61B 6/0407; A61F 5/3723; A61F
5/3761
See application file for complete search history.

Brasselet et al., 'Comparison of Operator Radiation Exposure with Optimized Radiation Protection Devices During Coronary Angiograms and Ad Hoc Percutaneous Coronary Interventions by Radial and Femoral Routes', European Heart Journal, 2008, 29:63-70.

(Continued)

Primary Examiner — Anhdao Doan
(74) *Attorney, Agent, or Firm* — Stoel Rives LLP

(57) **CLAIM**

The ornamental design for a radial arm support board, as shown and described.

(56) **References Cited**

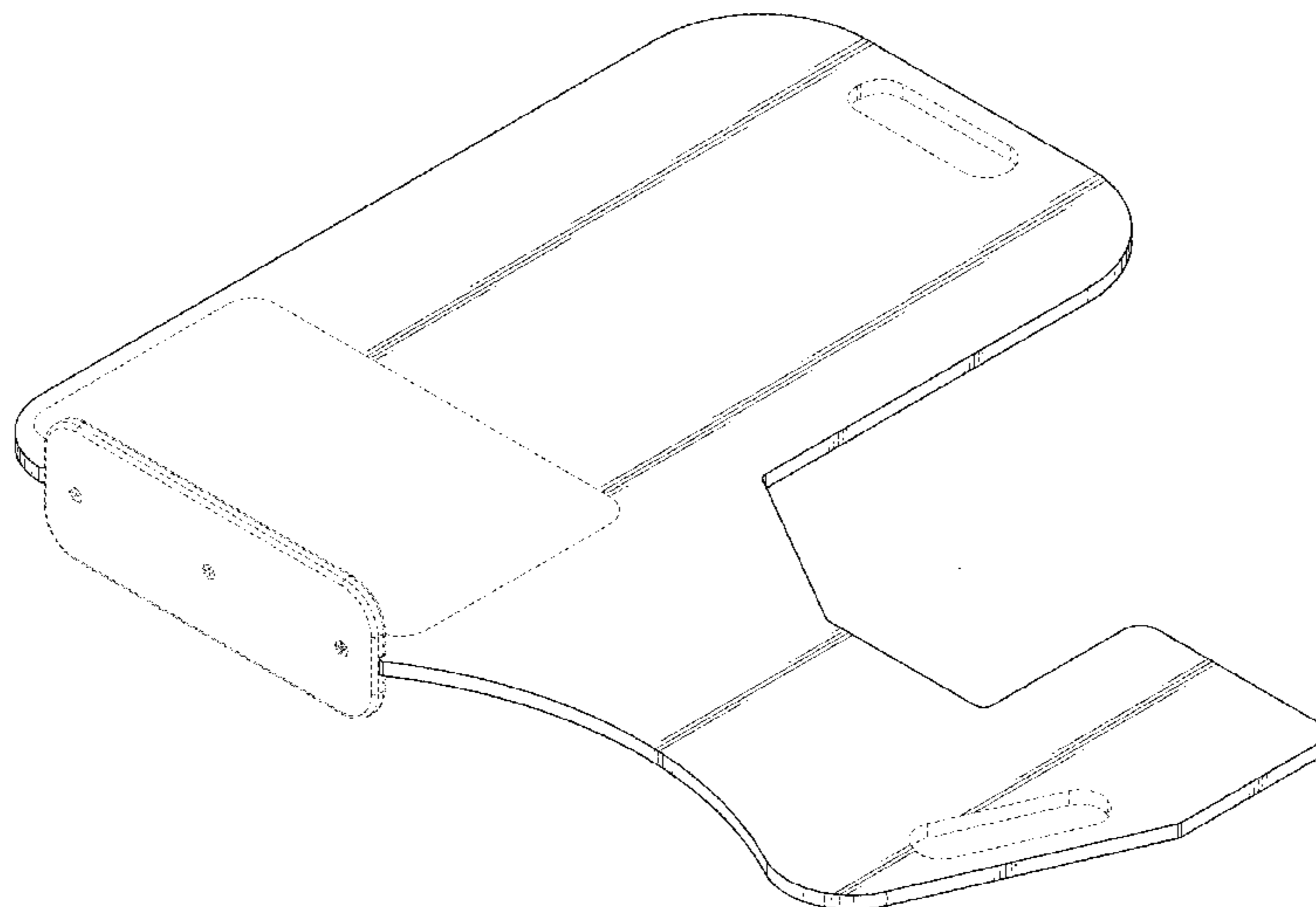
DESCRIPTION

U.S. PATENT DOCUMENTS

2,609,261 A * 9/1952 Parker A61G 13/12
312/229
3,242,923 A 3/1966 Jacoby, Sr.
3,747,916 A 7/1973 Benson
4,045,011 A * 8/1977 Ford A61G 13/12
5/606
D249,360 S 9/1978 Lacock
D266,345 S 9/1982 Bigham et al.
D267,028 S 11/1982 Spisak
4,369,774 A 1/1983 Robbins
4,576,351 A 3/1986 Brink
4,662,366 A 5/1987 Tari
4,665,574 A 5/1987 Filips et al.
4,674,110 A 6/1987 Eaton et al.

FIG. 1 is a first perspective view of a radial arm support board.
FIG. 2 is a second perspective view thereof.
FIG. 3 is a top view thereof.
FIG. 4 is a right side view thereof.
FIG. 5 is a bottom view thereof.
FIG. 6 is a left side view thereof.
FIG. 7 is a front view thereof; and,
FIG. 8 is a back view thereof.
The broken lines illustrate portions of the radial arm support board that form no part of the claimed design.

1 Claim, 5 Drawing Sheets



(56)

References Cited

U.S. PATENT DOCUMENTS

5,339,834 A 8/1994 Marcelli
 5,342,290 A 8/1994 Schuellein
 5,372,145 A 12/1994 Berger
 5,443,233 A 8/1995 Kabanek
 D362,072 S 9/1995 Sternberg
 5,549,121 A 8/1996 Vinci
 5,601,597 A 2/1997 Arrowood et al.
 5,623,951 A 4/1997 Kamaya
 5,785,057 A 7/1998 Fischer
 D402,036 S 12/1998 Parsley et al.
 5,845,643 A 12/1998 Vergano et al.
 D407,820 S 4/1999 Sullenberger et al.
 D412,191 S 7/1999 Woo
 5,940,912 A 8/1999 Keselman et al.
 D413,982 S 9/1999 Swedberg et al.
 D415,281 S 10/1999 Swedberg et al.
 5,981,964 A 11/1999 McAuley et al.
 D422,362 S 4/2000 Ames
 D423,104 S * 4/2000 Pachal D24/183
 D424,698 S 5/2000 Ames
 D426,307 S 6/2000 Swedberg et al.
 6,101,650 A 8/2000 Omdal et al.
 6,153,666 A 11/2000 Lagrace
 6,267,115 B1 7/2001 Marshel
 6,357,066 B1 3/2002 Pierce
 6,378,149 B1 4/2002 Sanders et al.
 6,467,487 B1 10/2002 Rios
 6,497,673 B2 12/2002 Rogalski
 6,568,010 B1 5/2003 Ames
 6,647,986 B1 11/2003 Korotko et al.
 6,663,055 B2 12/2003 Boucher et al.
 D487,512 S 3/2004 Bradshaw et al.
 6,725,481 B1 4/2004 Marshall
 6,898,810 B2 5/2005 Steven
 D518,894 S 4/2006 Kirn
 7,020,917 B1 * 4/2006 Kolody A61B 6/0442
 108/28
 7,057,194 B2 6/2006 Goldstein
 7,274,031 B2 9/2007 Smith
 D555,250 S 11/2007 Wells
 7,406,967 B2 8/2008 Callaway
 2,009,000 A1 1/2009 Alfery
 7,520,007 B2 4/2009 Skripps
 D618,354 S 6/2010 Francucci et al.
 7,978,825 B2 7/2011 Ngo

D649,253 S 11/2011 Held
 D652,935 S 1/2012 Held
 D657,468 S 4/2012 Held
 8,369,933 B2 2/2013 Crisco et al.
 8,700,131 B2 * 4/2014 Goff A61B 6/04
 5/601
 D764,668 S * 8/2016 Van Voorst D24/159
 D782,049 S * 3/2017 Gomez D24/184
 2002/0080921 A1 6/2002 Smith et al.
 2004/0143177 A1 7/2004 Falbo et al.
 2004/0216233 A1 11/2004 Ludwig et al.
 2005/0043805 A1 2/2005 Chudik
 2005/0091749 A1 5/2005 Humbies
 2006/0016006 A1 1/2006 Whitmore et al.
 2006/0200061 A1 9/2006 Warkentine
 2007/0011814 A1 1/2007 Rotert
 2007/0152197 A1 7/2007 Lagrace et al.
 2007/0286340 A1 12/2007 Cadwalader et al.
 2008/0005844 A1 * 1/2008 Tybinkowski A61B 6/032
 5/661
 2008/0245373 A1 10/2008 Kounkel
 2009/0172884 A1 7/2009 Semlitsch
 2009/0250073 A1 10/2009 Alfery et al.
 2010/0305431 A1 12/2010 Cristo et al.
 2011/0184278 A1 7/2011 Goff et al.
 2012/0170710 A1 7/2012 Niedzielski et al.
 2012/0241652 A1 9/2012 Jeschke
 2015/0101619 A1 * 4/2015 Lassetter A61G 13/1235
 128/879

OTHER PUBLICATIONS

International Search Report and Written Opinion dated Sep. 16, 2010 for PCT/US2010/034452.
 Office Action dated Feb. 19, 2016 for U.S. Appl. No. 14/199,579.
 Office Action dated Mar. 6, 2015 for U.S. Appl. No. 13/940,541.
 Office Action dated Jun. 20, 2014 for U.S. Appl. No. 13/940,541.
 Office Action dated Aug. 5, 2016 for U.S. Appl. No. 14/199,579.
 Office Action dated Sep. 4, 2015 for U.S. Appl. No. 14/199,579.
 Pristipino et al., 'Major Improvement of Percutaneous Cardiovascular Procedure Outcomes with Radial Artery Catheterization: Results from the Prevail Study', Heart (British Cardiac Society), 2009, 95:476-82.
 Office Action dated Mar. 16, 2017 for U.S. Appl. No. 14/199,579.
 Notice of Allowance dated Jul. 11, 2017 for U.S. Appl. No. 14/199,579.

* cited by examiner

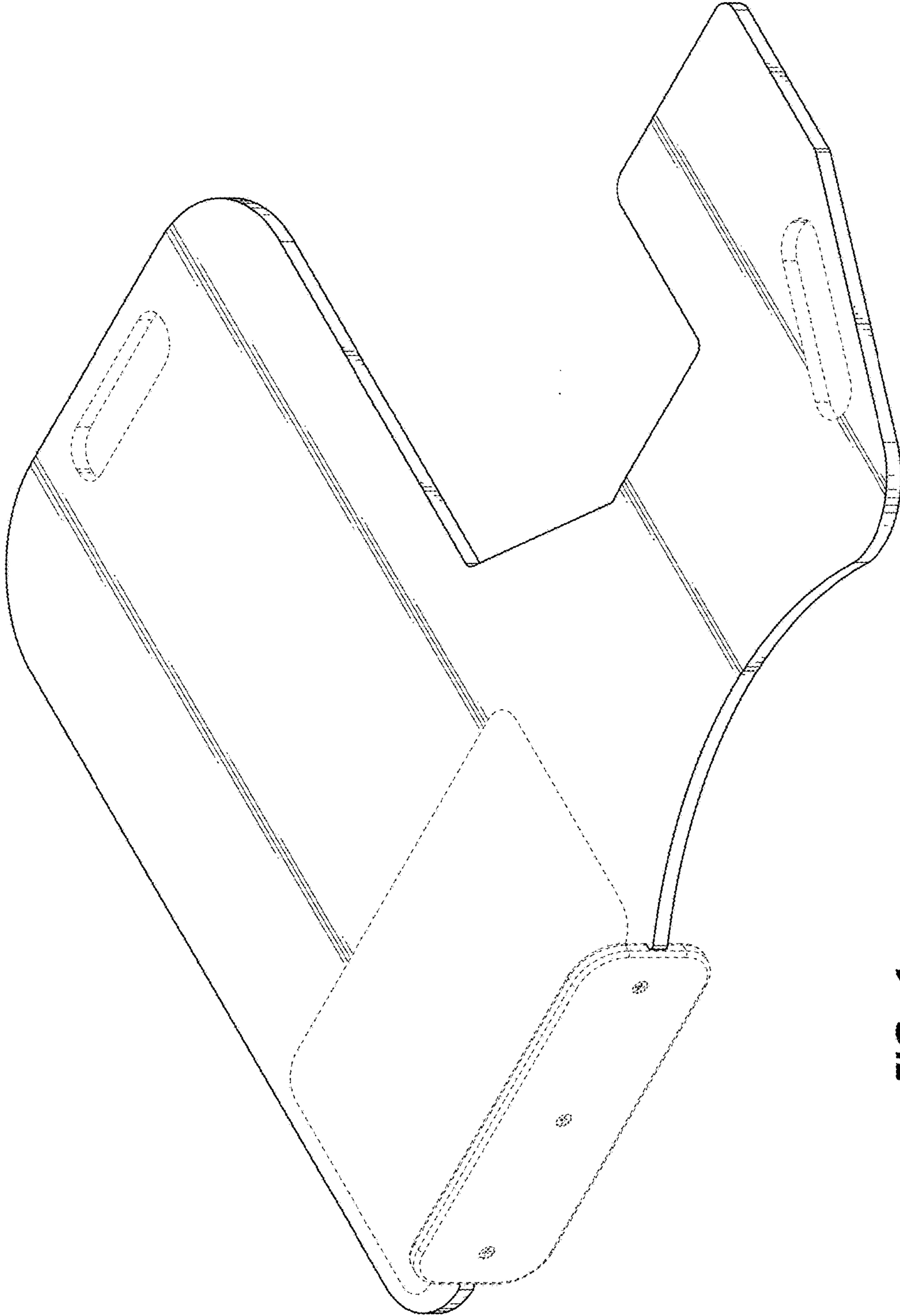


FIG. 1

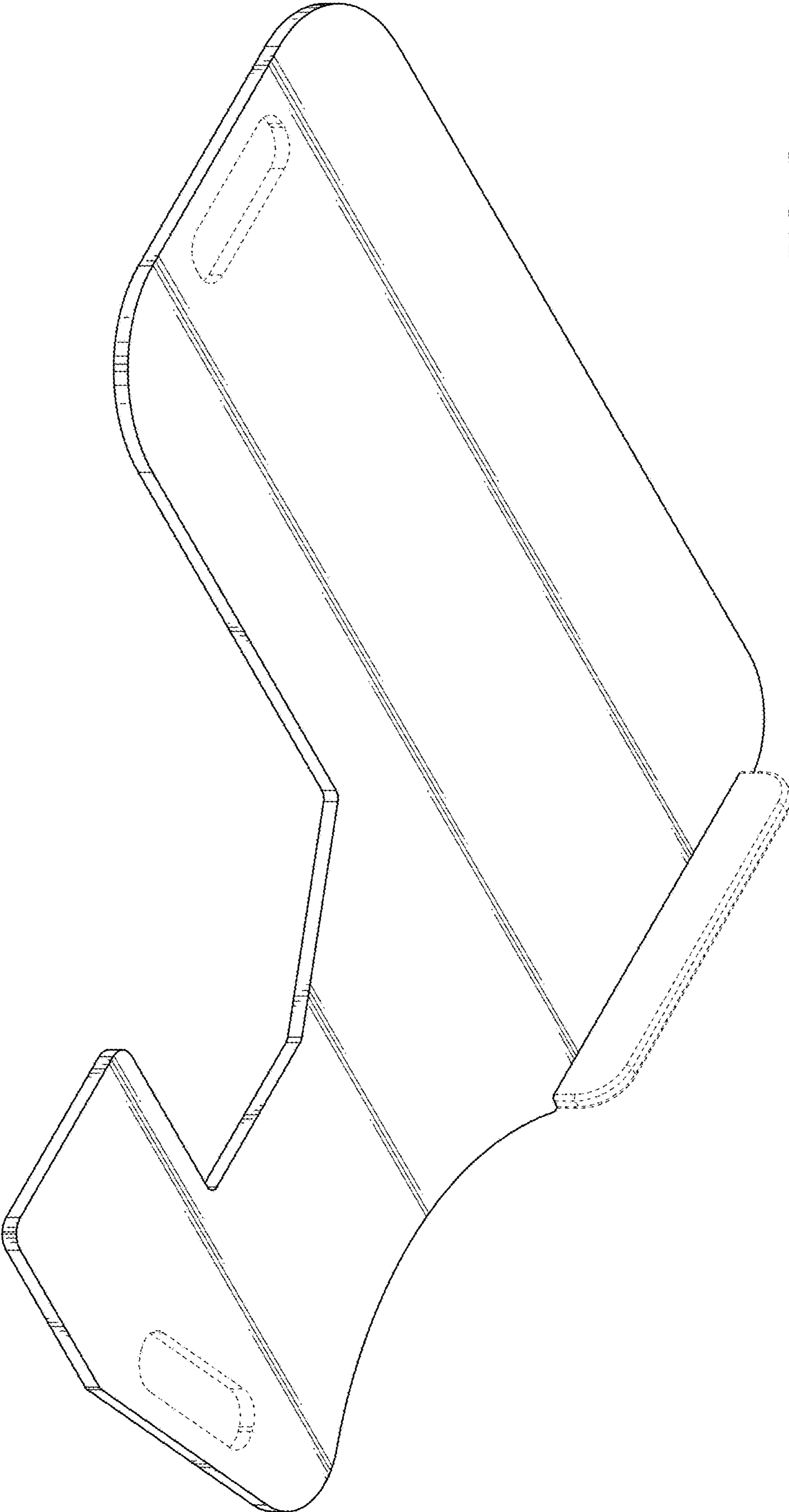


FIG. 2

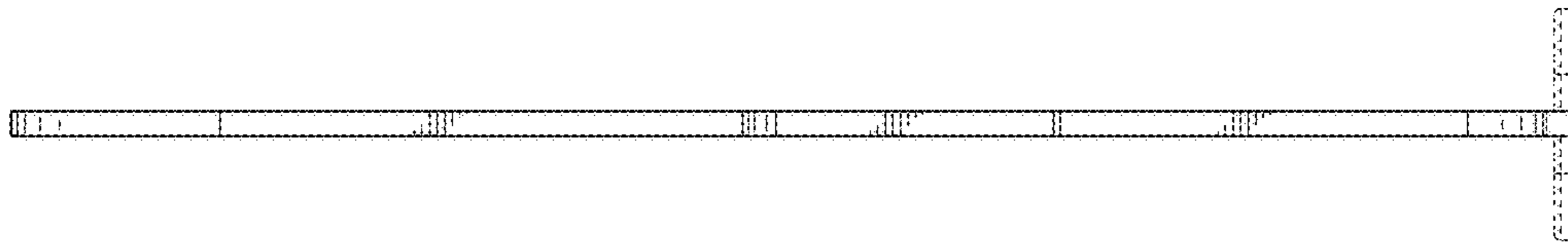


FIG. 4

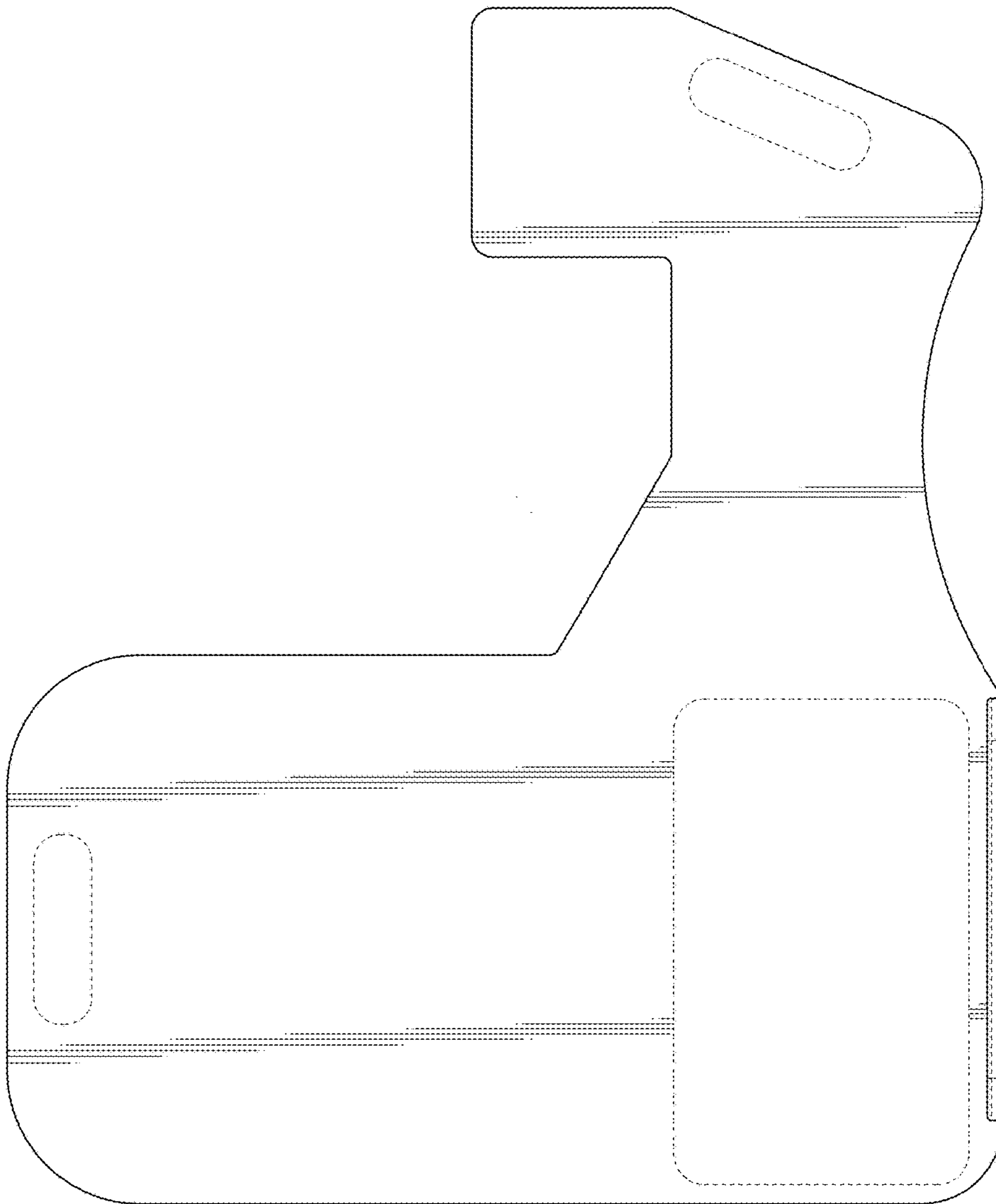


FIG. 3

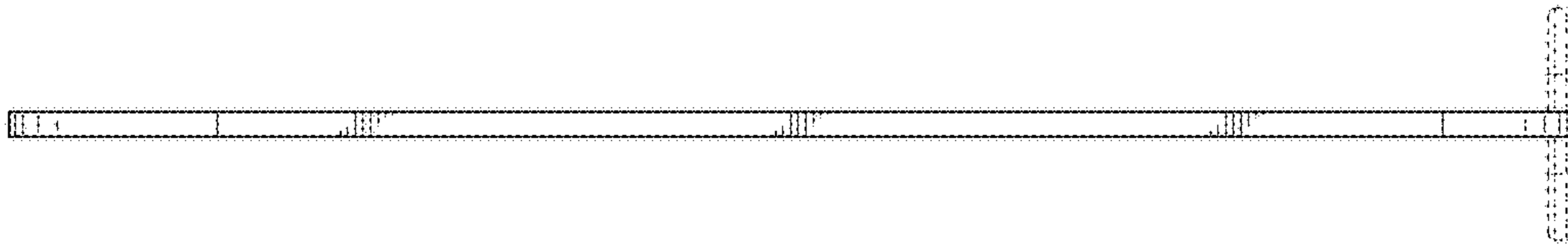


FIG. 6

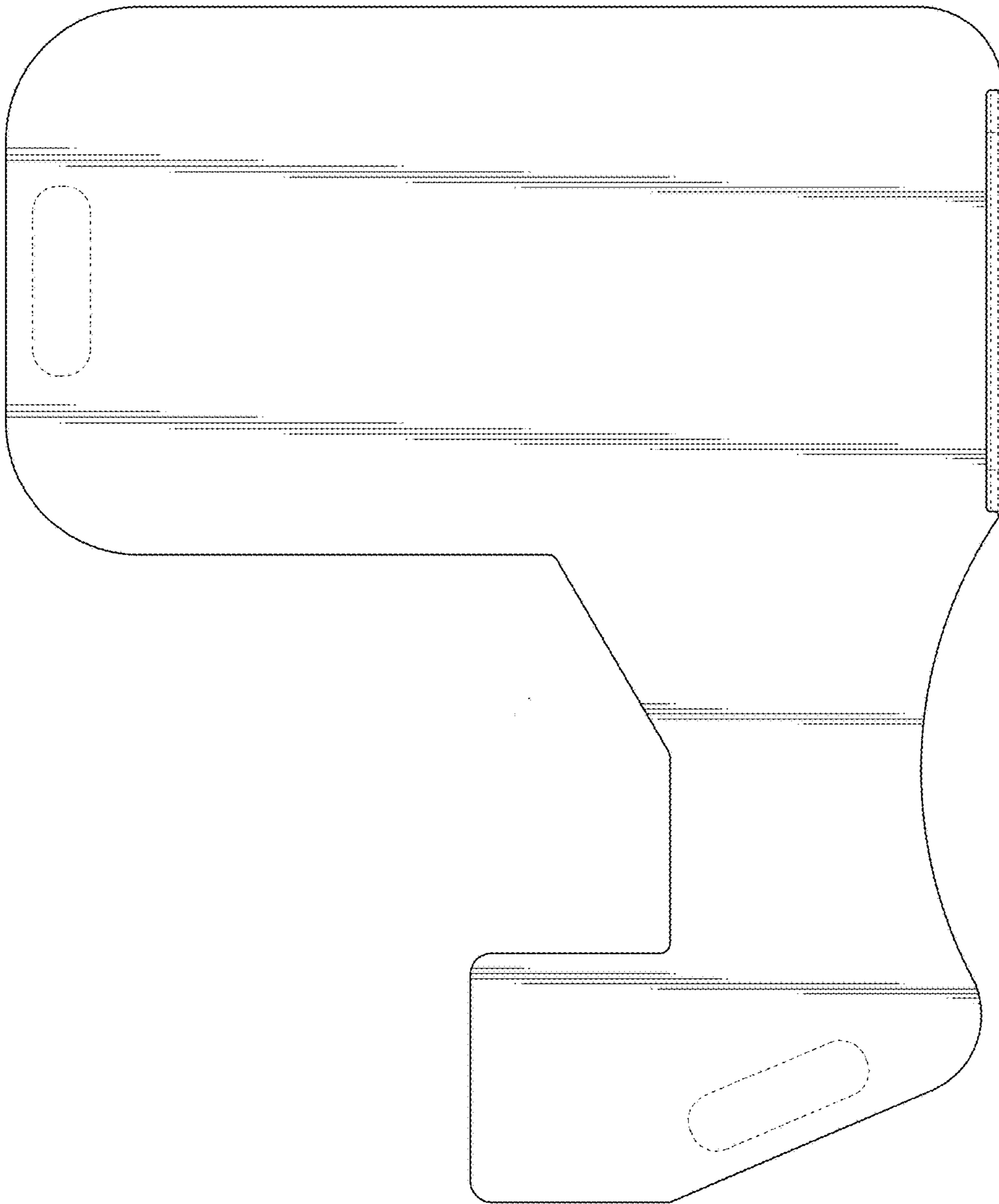


FIG. 5

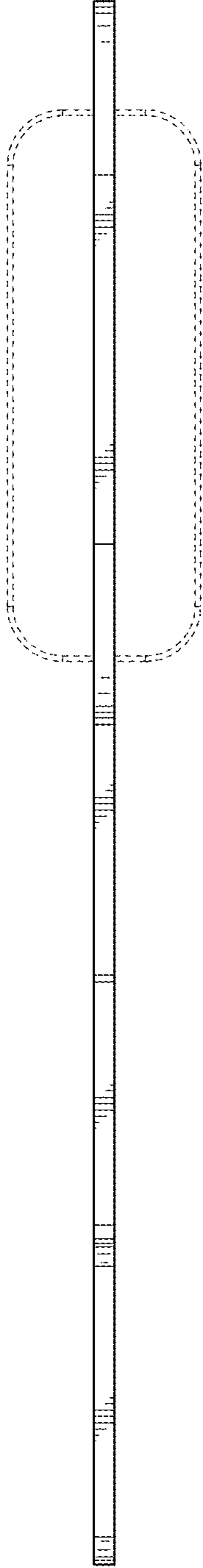


FIG. 7

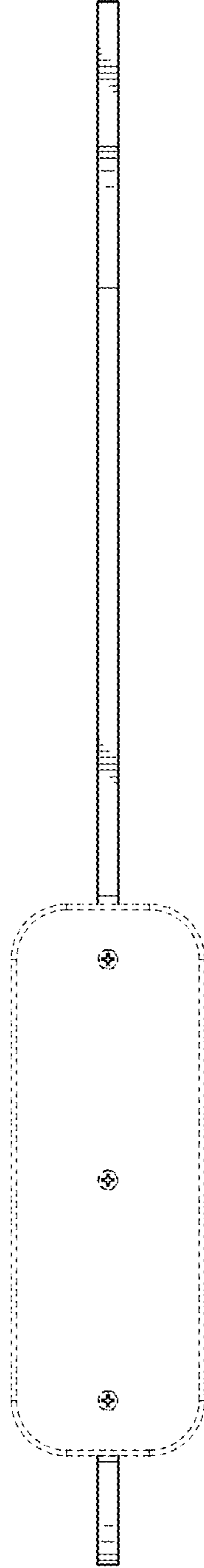


FIG. 8