



US00D824027S

(12) **United States Design Patent** (10) **Patent No.:** **US D824,027 S**  
**Flores et al.** (45) **Date of Patent:** **\*\* Jul. 24, 2018**

(54) **FINS FOR A SUPPORT COLUMN FOR A SURGICAL TRAJECTORY FRAME**

(71) Applicant: **MRI Interventions, Inc.**, Irvine, CA (US)

(72) Inventors: **Jesse Flores**, Perris, CA (US); **Rajesh Pandey**, Irvine, CA (US); **Maxwell Jerad Daly**, Redlands, CA (US)

(73) Assignee: **MRI Interventions, Inc.**, Irvine, CA (US)

(\*\*) Term: **15 Years**

(21) Appl. No.: **29/551,396**

(22) Filed: **Jan. 13, 2016**

(51) **LOC (11) Cl.** ..... **24-02**

(52) **U.S. Cl.**  
USPC ..... **D24/140**

(58) **Field of Classification Search**  
USPC ..... D24/133, 140, 127, 128, 158, 160;  
600/417, 424, 429; 248/304  
CPC ..... A61B 90/10; A61B 90/11; A61B 90/13;  
A61B 90/14; A61B 5/055; A61B 5/0555;  
A61B 5/00

See application file for complete search history.

(56) **References Cited**

**U.S. PATENT DOCUMENTS**

D161,569	S	*	1/1951	Bushman	.....	81/3.4
D216,698	S	*	3/1970	Startin	.....	D13/146
D242,265	S	*	11/1976	Ryder	.....	422/311
D287,456	S	*	12/1986	Kobos	.....	D8/14
D323,555	S	*	1/1992	Rasmusson	.....	D24/133
5,116,345	A		5/1992	Jewell et al.		
D329,178	S	*	9/1992	Ackerman	.....	D8/21
5,507,742	A		4/1996	Long et al.		
5,592,939	A		1/1997	Martinelli et al.		
D400,768	S	*	11/1998	Mason	.....	D8/14
5,913,820	A		6/1999	Bladen et al.		

(Continued)

**OTHER PUBLICATIONS**

YouTube—Clearpoint Demonstration Video, announced Sep. 15, 2015 [online], [site visited Mar. 16, 2018]. Available from internet, URL: <https://www.youtube.com/watch?v=IA45R\_kvBR8>.\*

(Continued)

*Primary Examiner* — Keli L Hill

*Assistant Examiner* — Karra S. Johnson

(74) *Attorney, Agent, or Firm* — Myers Bigel, P.A.

(57) **CLAIM**

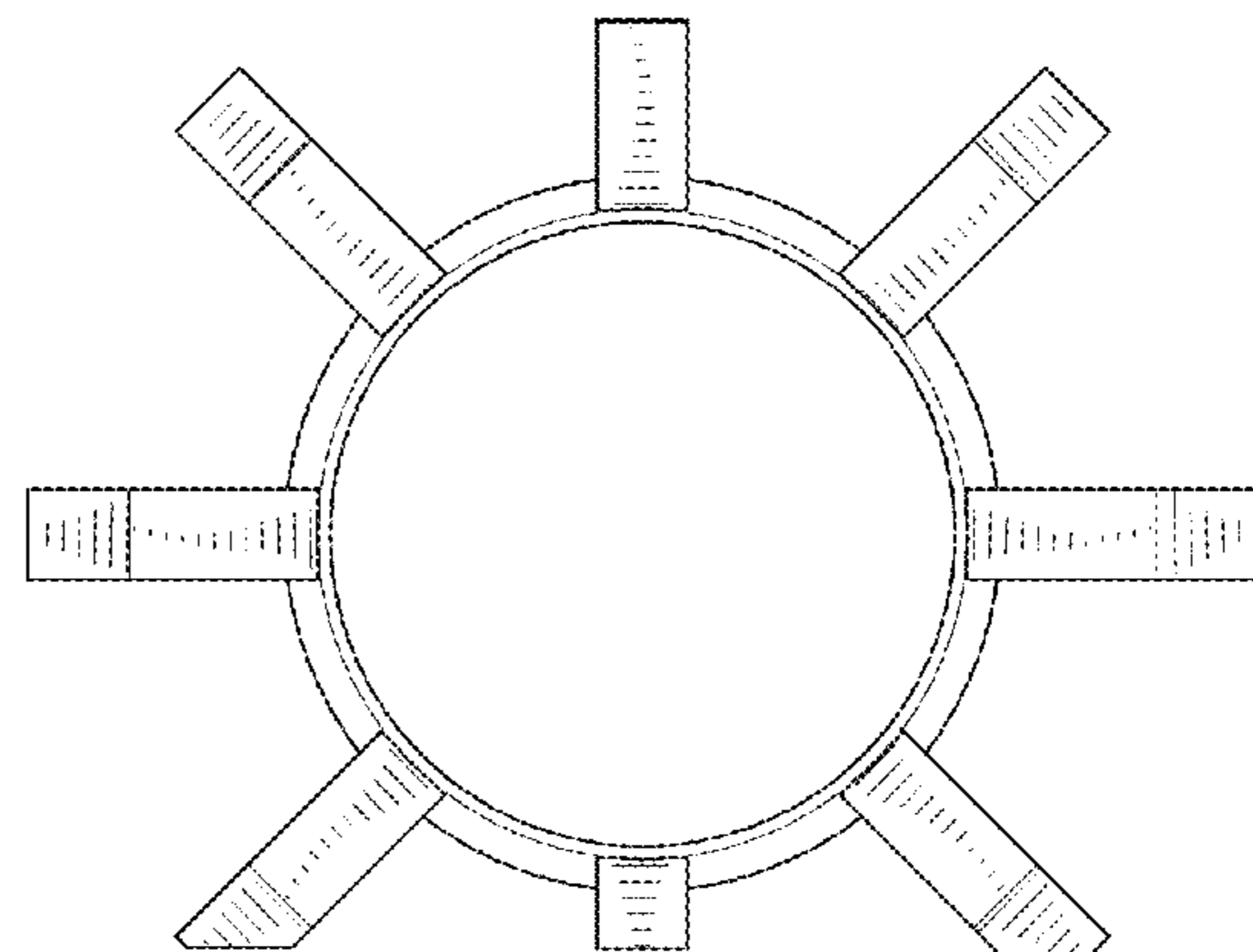
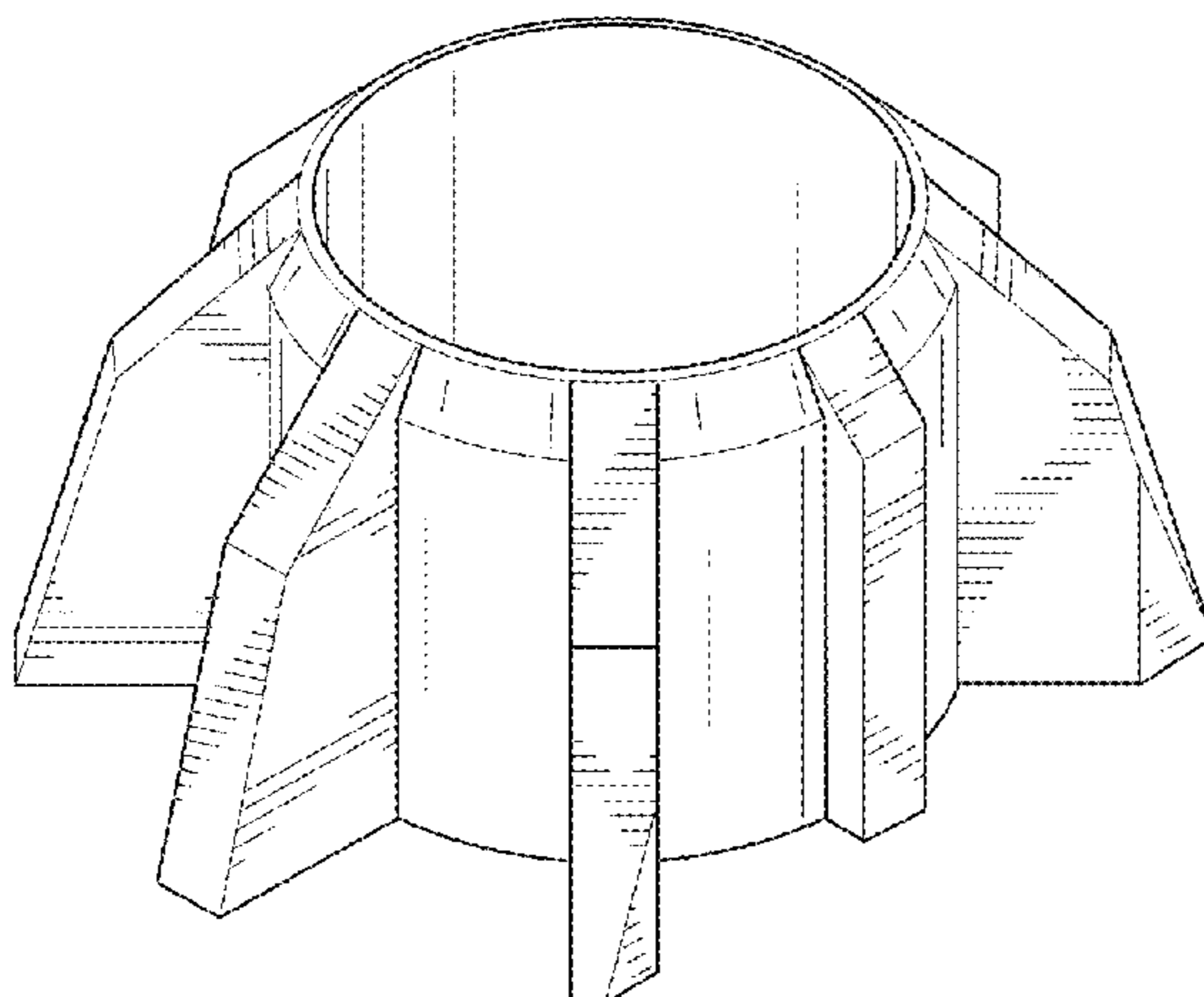
The ornamental design for fins for a support column for a surgical trajectory frame, as shown and described.

**DESCRIPTION**

FIG. 1 is a front perspective view of fins for a support column for a surgical trajectory frame showing our design; FIG. 2 is a first side view thereof; FIG. 3 is an opposing side view thereof; FIG. 4 is a second side view, rotated 90 degrees from the first side view; FIG. 5 is an opposing side view thereof; FIG. 6 is a top view thereof; FIG. 7 is a bottom view thereof; FIG. 8 is an exemplary environmental view illustrating the fins for a support column for a surgical trajectory frame attached to a support column and table of a trajectory frame according to embodiments of the present invention; and, FIG. 9 is an exemplary environmental view illustrating the fins for a support column for a surgical trajectory frame attached to a trajectory frame according to embodiments of the present invention.

The broken lines shown are included for the purpose of illustrating unclaimed background articles that form no part of the claim.

**1 Claim, 6 Drawing Sheets**



(56)

## References Cited

## U.S. PATENT DOCUMENTS

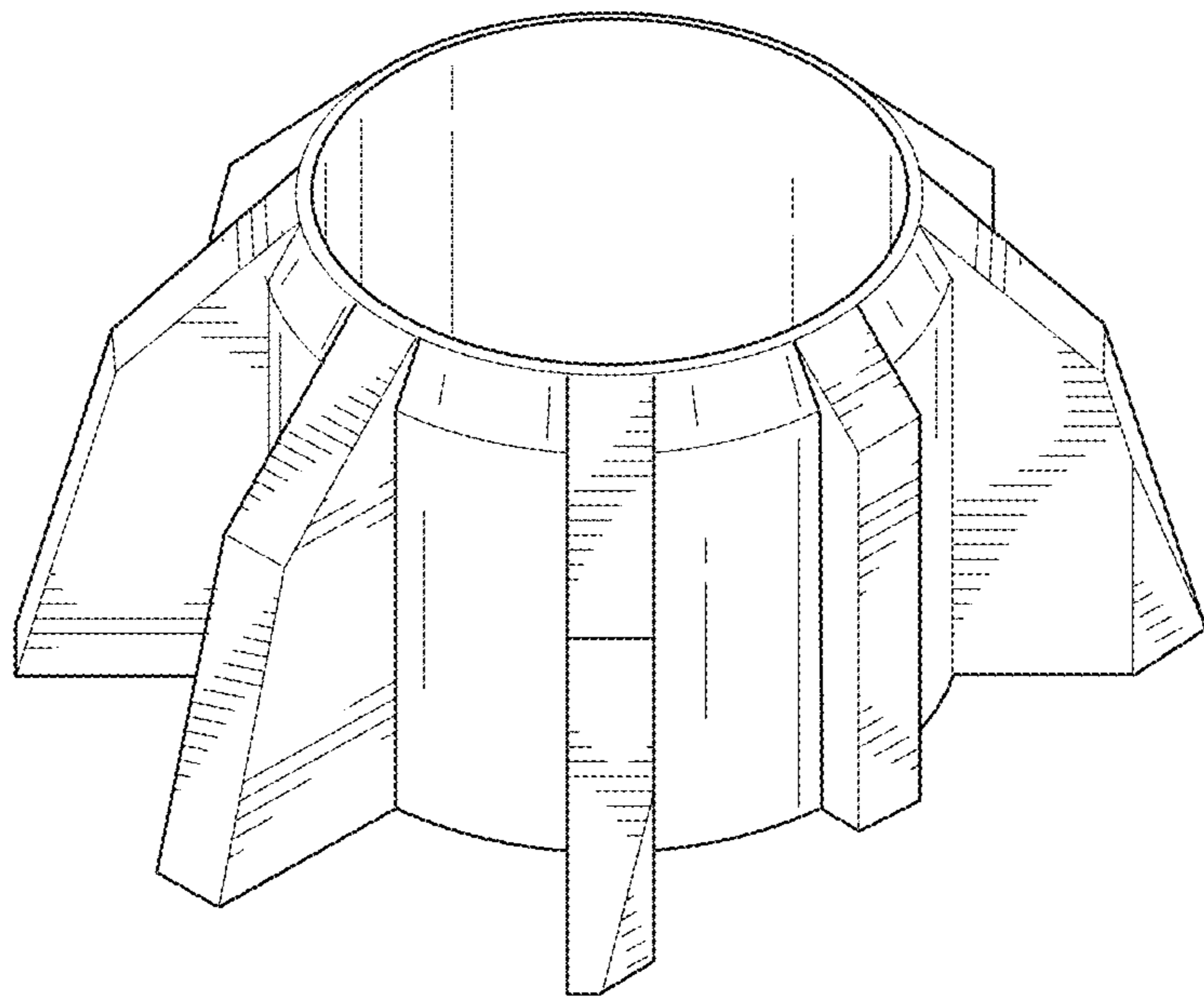
6,050,992 A 4/2000 Nichols  
6,167,311 A 12/2000 Rezai  
D437,411 S \* 2/2001 Maeji ..... D24/127  
6,356,786 B1 3/2002 Rezai et al.  
6,405,079 B1 6/2002 Ansarinia  
6,438,423 B1 8/2002 Rezai et al.  
6,526,318 B1 2/2003 Ansarinia  
6,539,263 B1 3/2003 Schiff et al.  
6,609,030 B1 8/2003 Rezai et al.  
D483,862 S \* 12/2003 Murray ..... D24/119  
6,675,037 B1 1/2004 Tsekos  
6,708,064 B2 3/2004 Rezai  
6,799,074 B1 9/2004 Thomas et al.  
D503,684 S \* 4/2005 Popovici ..... D13/150  
6,920,347 B2 7/2005 Simon et al.  
6,940,941 B2 9/2005 Gregerson et al.  
6,949,106 B2 9/2005 Brock et al.  
7,001,045 B2 2/2006 Gregerson et al.  
D524,613 S \* 7/2006 Chen ..... D8/21  
7,106,825 B2 9/2006 Gregerson et al.  
7,108,421 B2 9/2006 Gregerson et al.  
7,188,998 B2 3/2007 Gregerson et al.  
D562,935 S \* 2/2008 Morgan ..... D22/199  
D573,711 S \* 7/2008 Johnson ..... D24/133  
7,491,198 B2 2/2009 Kockro  
7,658,879 B2 2/2010 Solar  
7,706,600 B2 4/2010 Kreeger et al.  
7,720,522 B2 5/2010 Solar et al.  
7,730,563 B1 6/2010 Sklar et al.  
7,751,865 B2 7/2010 Jascob et al.  
D631,734 S \* 2/2011 Fernandez ..... D8/380  
D647,627 S \* 10/2011 Wilkinson ..... D24/224  
8,073,530 B2 12/2011 Solar et al.  
8,150,494 B2 4/2012 Simon et al.  
8,175,677 B2 5/2012 Sayler et al.  
8,195,272 B2 6/2012 Piferi et al.  
8,238,631 B2 8/2012 Hartmann et al.  
D670,153 S \* 11/2012 Wu ..... D8/356  
8,315,689 B2 11/2012 Jenkins et al.  
8,340,743 B2 12/2012 Jenkins et al.  
D675,130 S \* 1/2013 Senn ..... D12/42  
8,374,677 B2 2/2013 Piferi et al.  
D683,616 S \* 6/2013 Noumi ..... D8/356  
8,543,189 B2 9/2013 Paitel et al.  
9,192,446 B2 \* 11/2015 Piferi ..... A61B 90/11  
D751,192 S \* 3/2016 She ..... D24/127  
D757,935 S \* 5/2016 Solingen ..... D24/133  
D777,111 S \* 1/2017 Zantout ..... D13/150  
D787,394 S \* 5/2017 Hammer ..... D12/180  
2001/0007918 A1 \* 7/2001 Vilsmeier ..... A61B 90/36  
600/426  
2001/0018584 A1 8/2001 Bays  
2003/0181810 A1 9/2003 Murphy et al.  
2004/0075768 A1 4/2004 Law et al.  
2004/0215071 A1 10/2004 Frank et al.  
2005/0242055 A1 11/2005 Oh  
2006/0282044 A1 12/2006 Mohammed  
2007/0129629 A1 6/2007 Beauregard et al.  
2008/0097193 A1 4/2008 Karmarkar  
2008/0214922 A1 9/2008 Hartmann et al.  
2008/0275466 A1 11/2008 Skakoon  
2009/0112084 A1 4/2009 Piferi et al.  
2009/0301986 A1 \* 12/2009 Phelan ..... B65D 41/0421  
215/252

2010/0125240 A1 5/2010 Spedden et al.  
2010/0229414 A1 9/2010 Nonni et al.  
2011/0083672 A1 4/2011 Webster et al.  
2011/0152860 A1 6/2011 Morejohn et al.  
2012/0046542 A1 2/2012 Casavoy et al.  
2012/0330135 A1 12/2012 Millahn et al.  
2013/0060146 A1 3/2013 Yang et al.  
2015/0031982 A1 1/2015 Piferi et al.  
2016/0166808 A1 \* 6/2016 Highsmith ..... A61M 25/09  
600/585  
2017/0202631 A1 7/2017 Piferi et al.

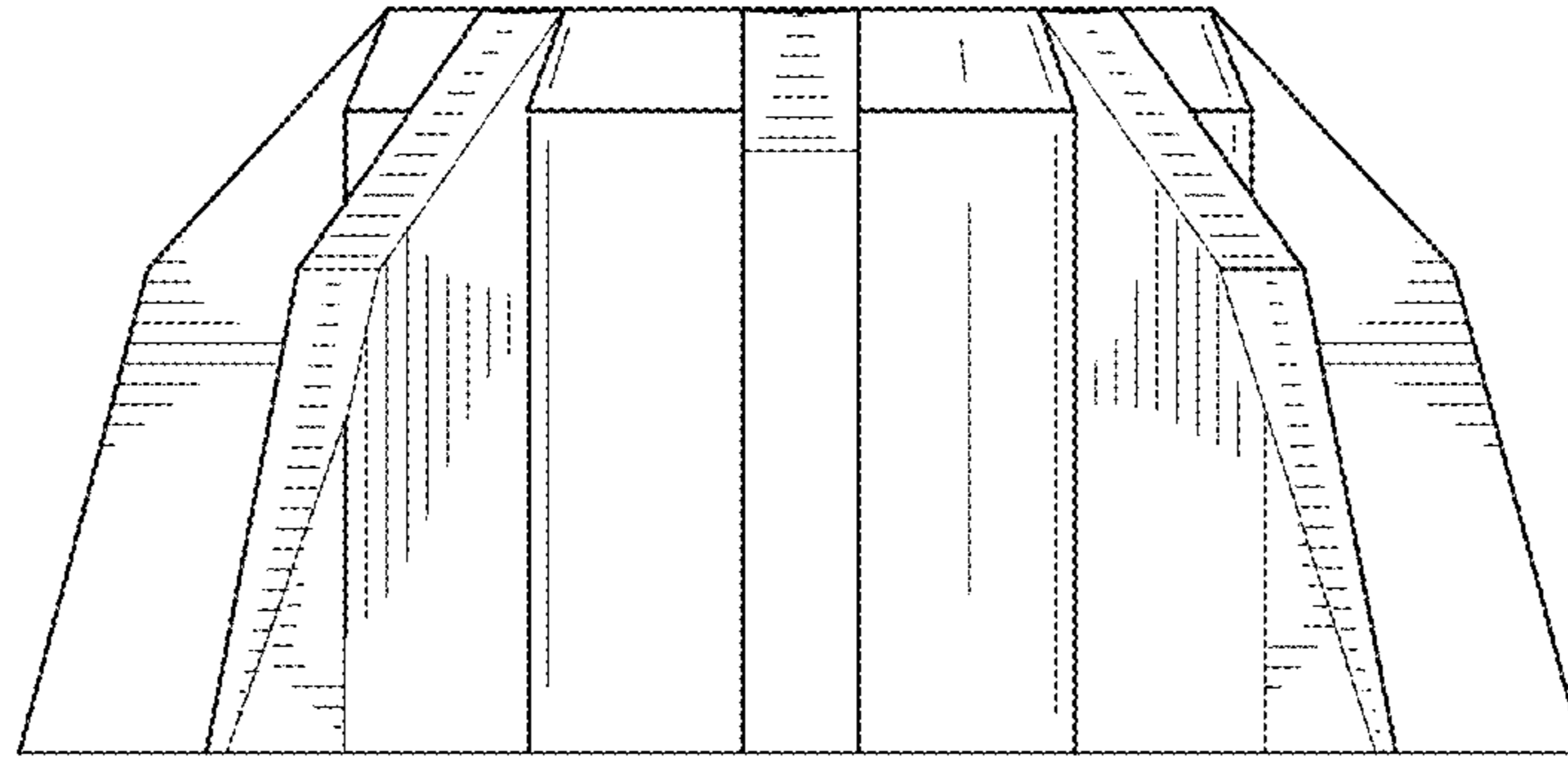
## OTHER PUBLICATIONS

Wayback Machine—Historic Case Study Projects, announced Oct. 9, 2014 (dated via wayback machine) [online], [site visited Mar. 20, 2018]. Available from internet, URL: <<https://web.archive.org/web/20141009212425/http://www.tboake.com/SSEF1/renewal2.shtml>>.\*  
Brainlab Airo® Mobile Intraoperative CT, Brochure, 10 pages, 2014.  
Brainlab Buzz™ Digital O.R., Brochure, 12 pages, 2012.  
Brainlab Curve™ Image Guided Surgery, 2012, Brochure, 18 pages.  
Brainlab Kick® Purely Navigation Using Optical Tracking, 4 pages, Retrieved from the internet on Jan. 16, 2015 at URL <https://www.brainlab.com/en/surgery-products/overview-platform-products/kick-navigation/>.  
Brainlab, Image-Guided Surgery Platforms, 2 Pages, Retrieved from the internet on Oct. 1, 2014 at URL <https://www.brainlab.com/surgery-products/overview-platform-products/>.  
Medtronic Framelink™, Simplified Planning and Navigation for DBS Procedures, 2009, 2 pages.  
Medtronic Nexframe Stereotactic Image Guided System, 2 pages, Retrieved from the internet on Jan. 16, 2015 at URL <http://professional.medtronic.com/pt/neuro/dbs-md/prod/procedure-solutions/features-specifications/#.VLk0N9LF> To.  
Medtronic Stealth Station® Surgical Navigation Systems, Dec. 11, 2014, 2 pages, Retrieved from the Internet at URL <http://www.medtronic.com/for-healthcare-professionals/products-therapies/spinal/surgical-navigation-imaging/surgical-navigation-systems/>.  
Medtronic, Deep Brain Stimulation for Movement Disorders, 2 Pages, Retrieved from the internet on Sep. 22, 2014 at URL <http://professional.medtronic.com/pt/neuro/dbs-md/prod/procedure-solutions/index.htm>.  
Northern Digital Inc., NDI, Disposable Reflective Marker Spheres for Brainlab IGS Systems, 4 pages, Retrieved from the internet on Jan. 16, 2015 at URL <http://spheres.ndigital.com/>.  
Northern Digital Inc., The Original IGS Sphere, 7 Pages, Retrieved from the internet on Sep. 22, 2014 at URL <http://spheres.ndigital.com/ndi-passive-spheres/>.  
Stryker eNlite Navigation System, 1 page, Retrieved from the internet on Jan. 16, 2015 from URL <http://www.stryker.com/latm/products/OREquipmentConnectivity/SurgicalNavigation/SurgicalNavigationSystems/EnliteLaptop/index.htm>.  
Stryker Integrated NavSuite Operating Room, 2008, Brochure, 3 pages.  
Stryker System II Navigation System, 2006, Brochure, 2 pages.  
Photographs obtained of commercial probe tracking devices, date photographs on internet first available unknown, but prior to filing the pending application on Oct. 15, 2014, 1 page.  
International Search Report and Written Opinion for related PCT Application No. PCT/US2014/060644, dated Jan. 26, 2015, 14 pages.

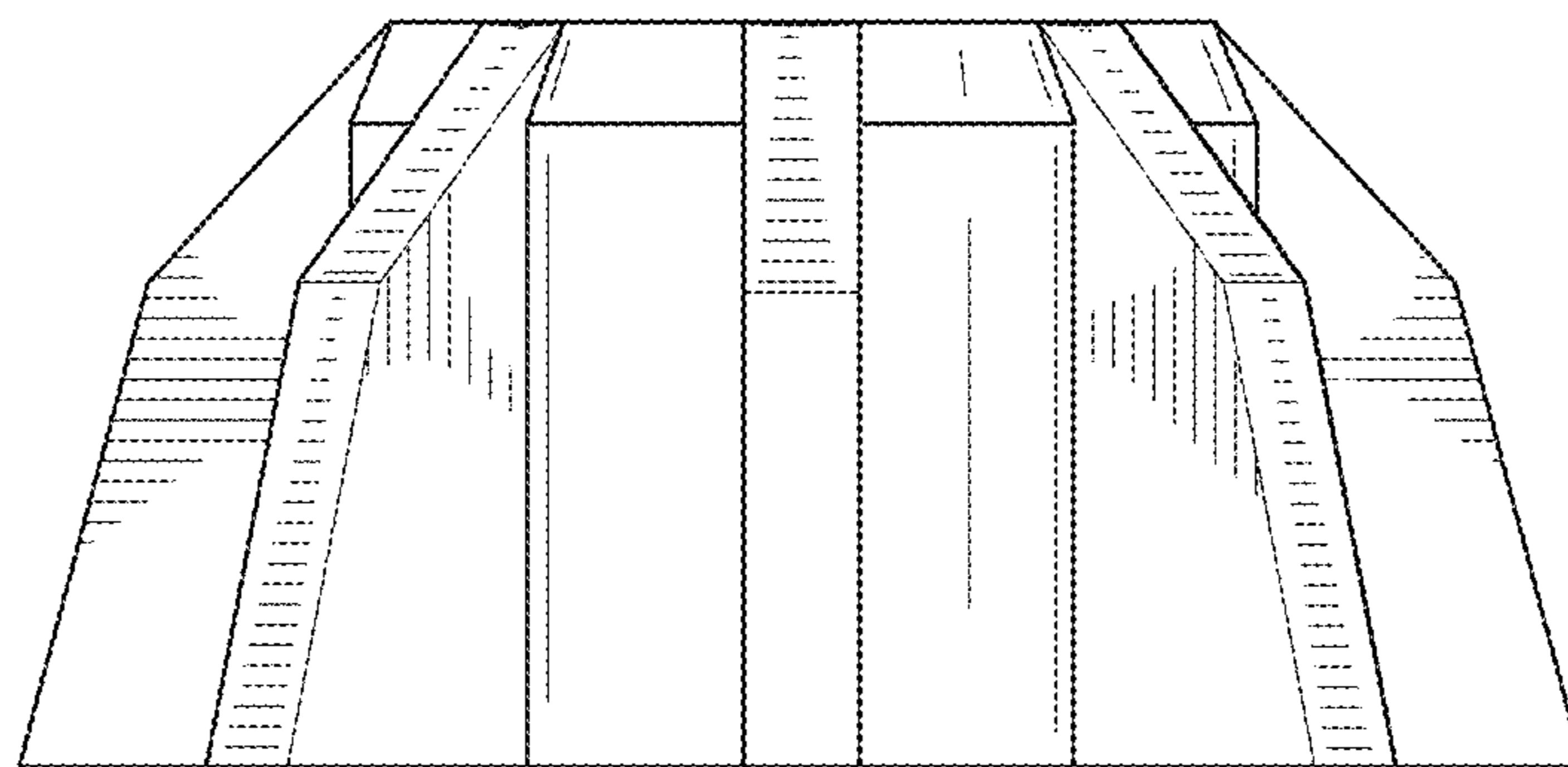
\* cited by examiner



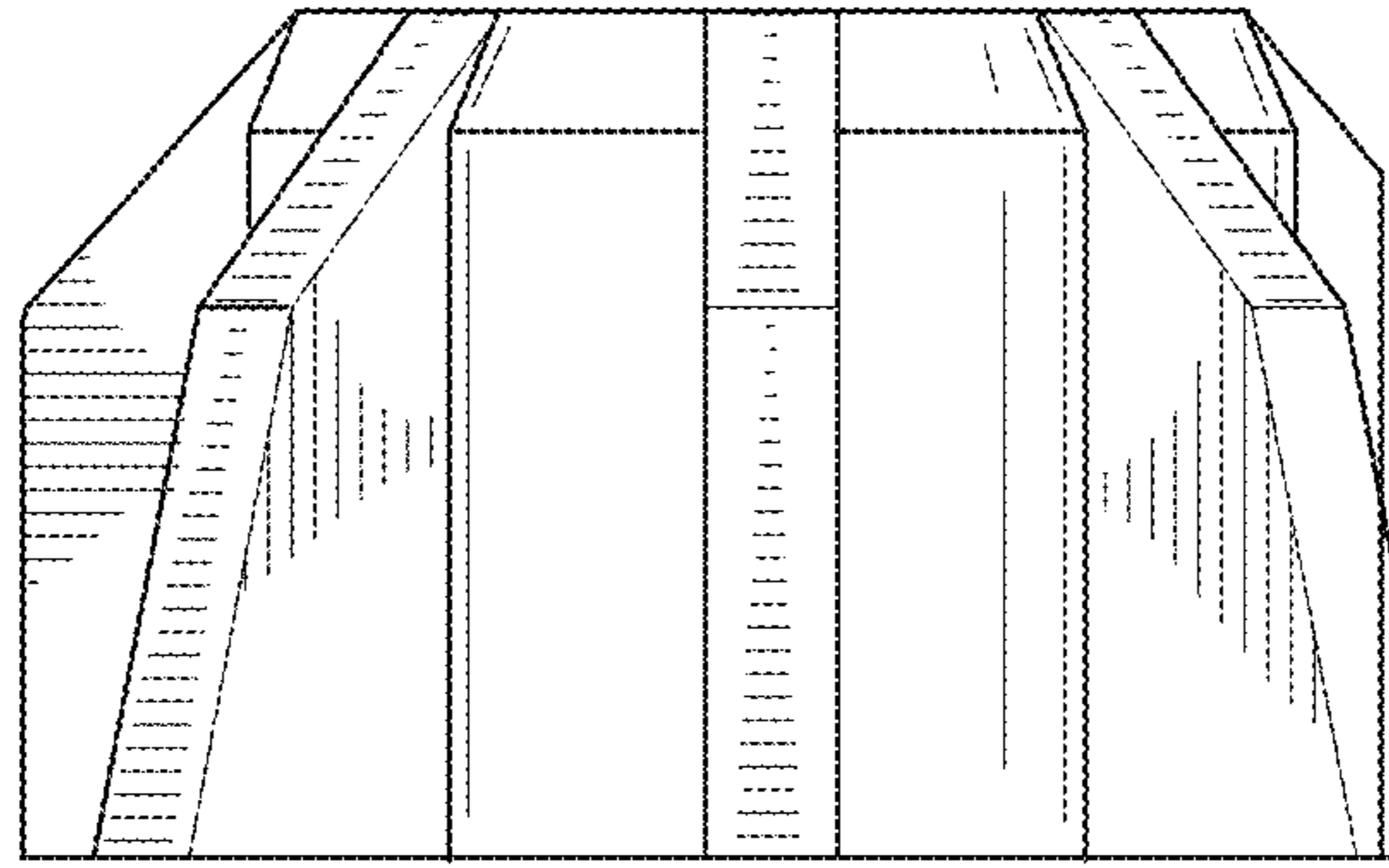
**FIG. 1**



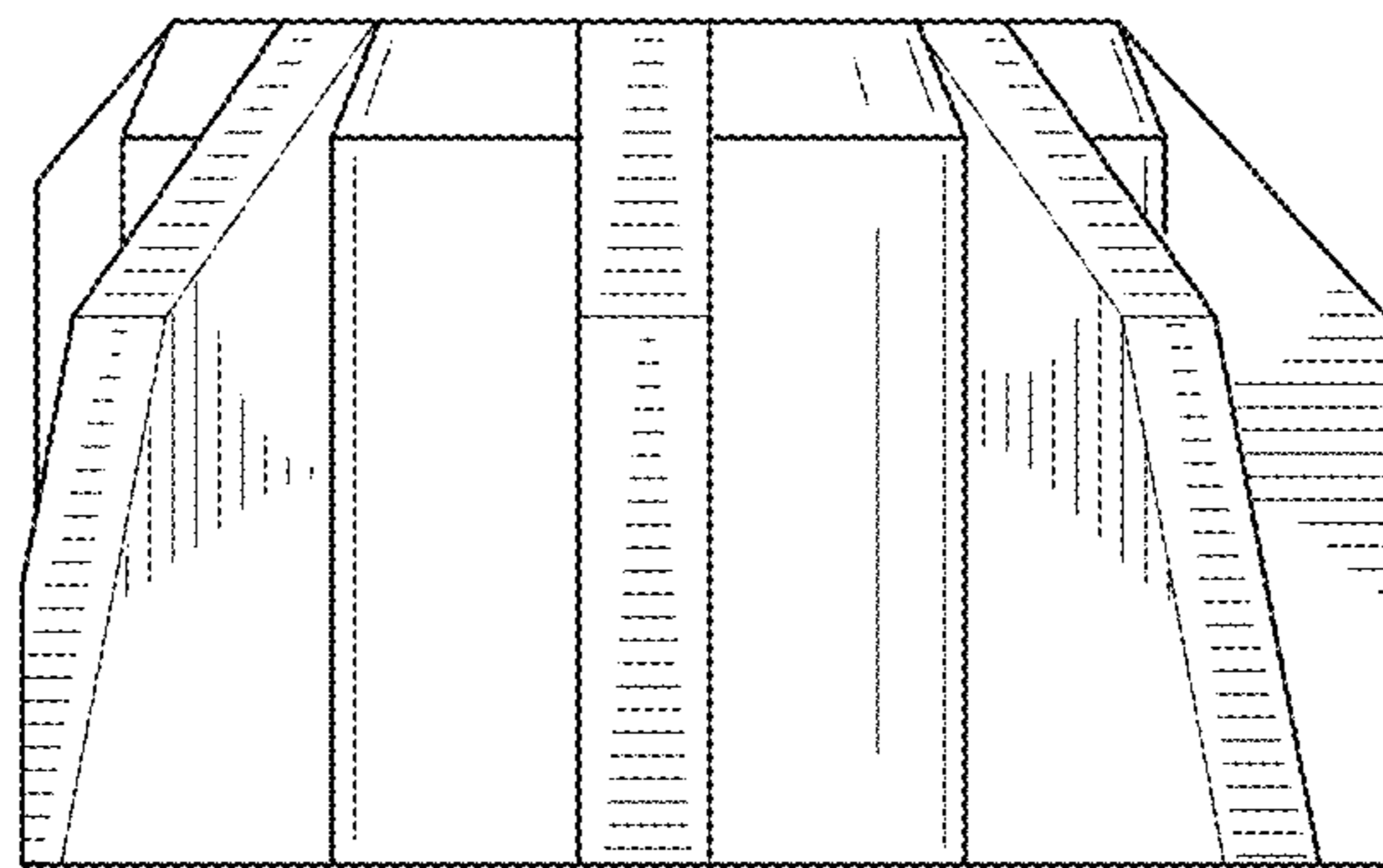
**FIG. 2**



**FIG. 3**



**FIG. 4**



**FIG. 5**

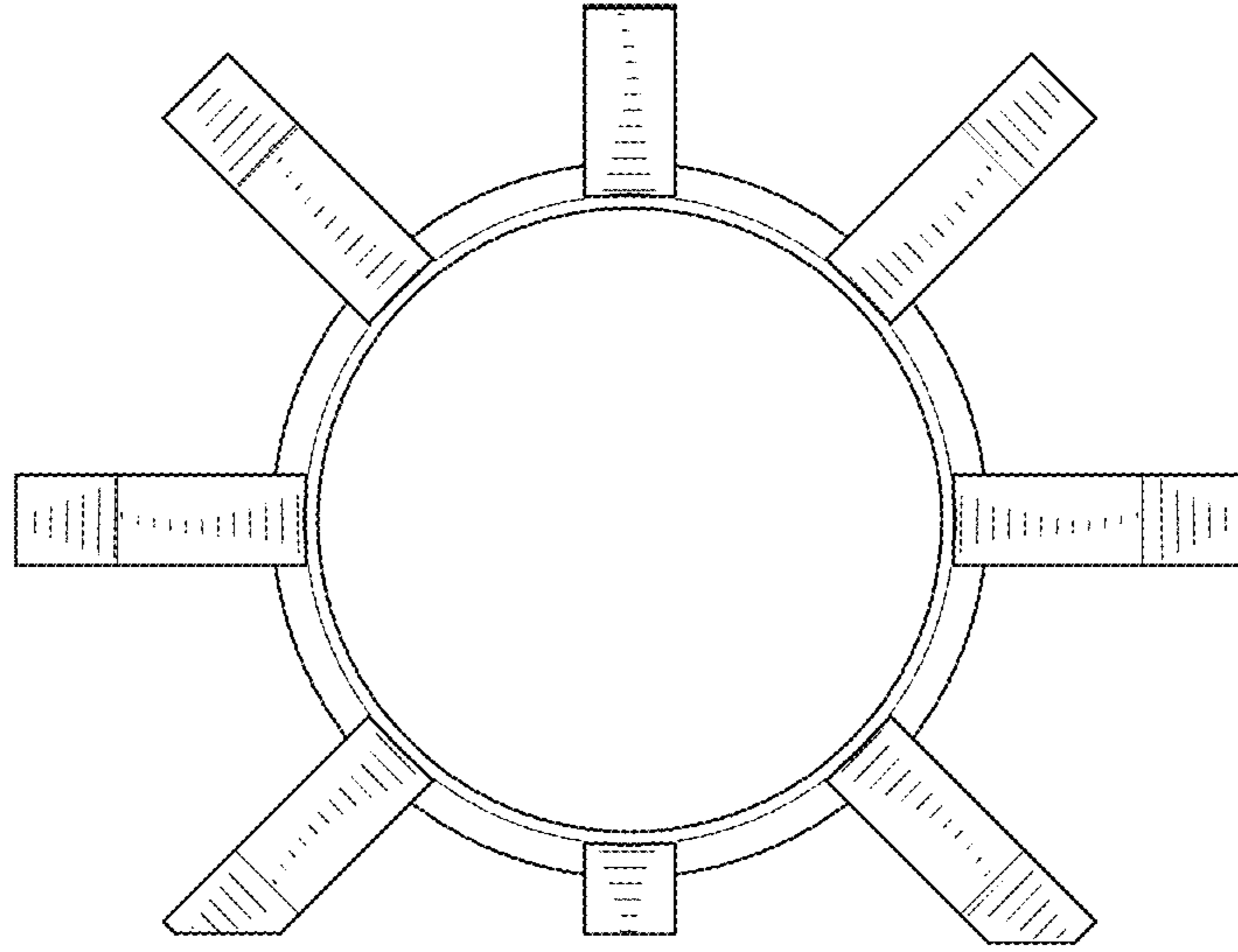


FIG. 6

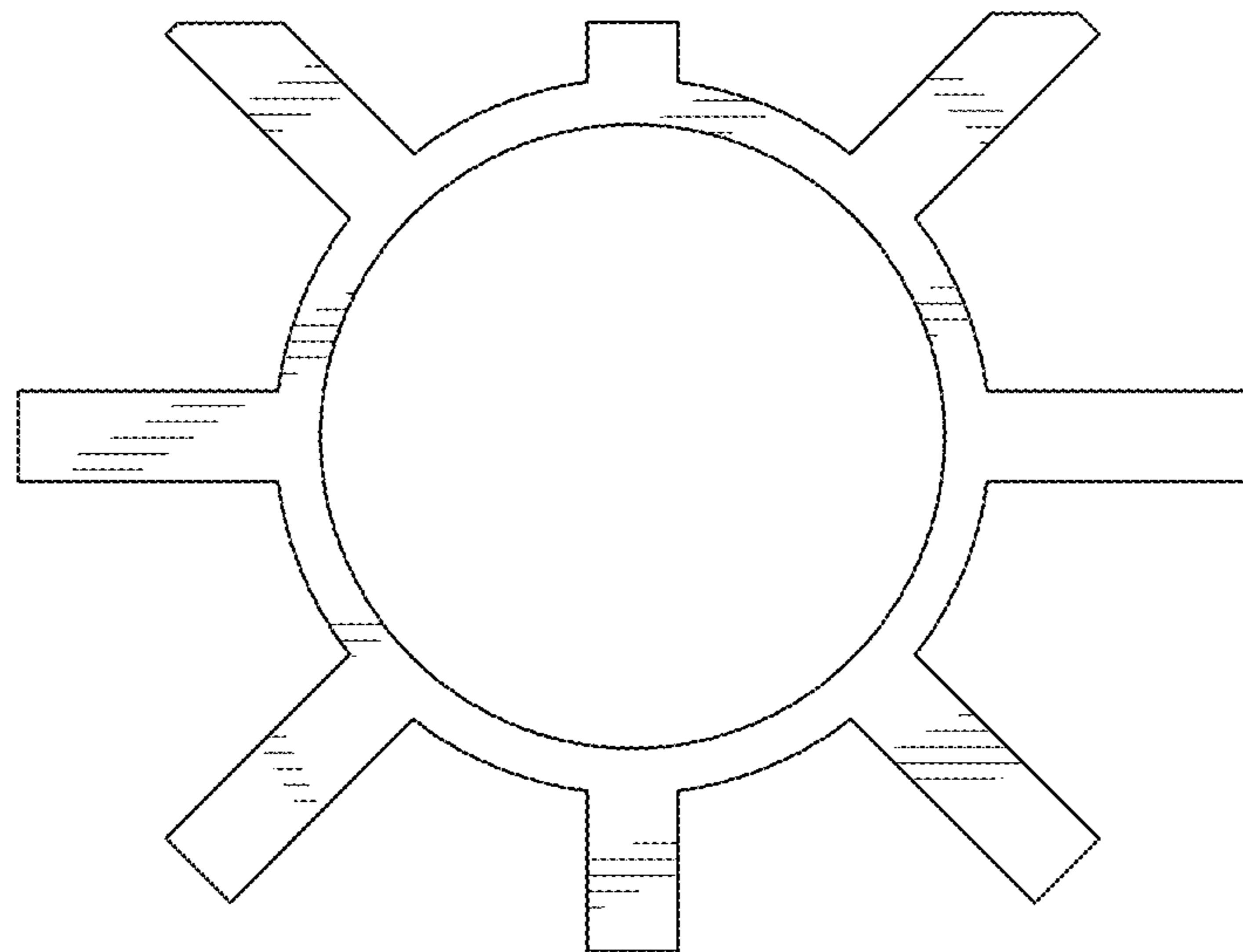


FIG. 7

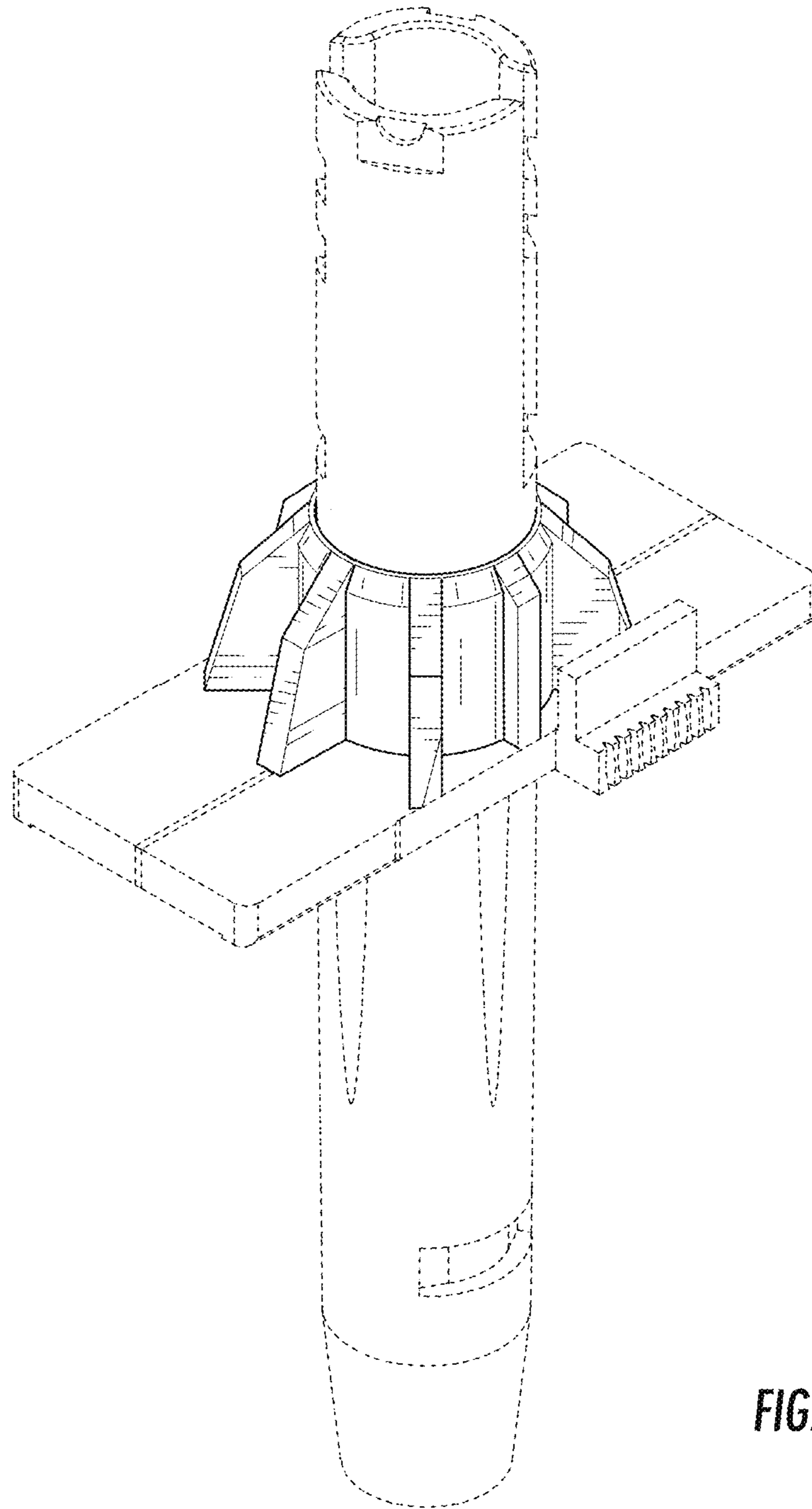


FIG. 8

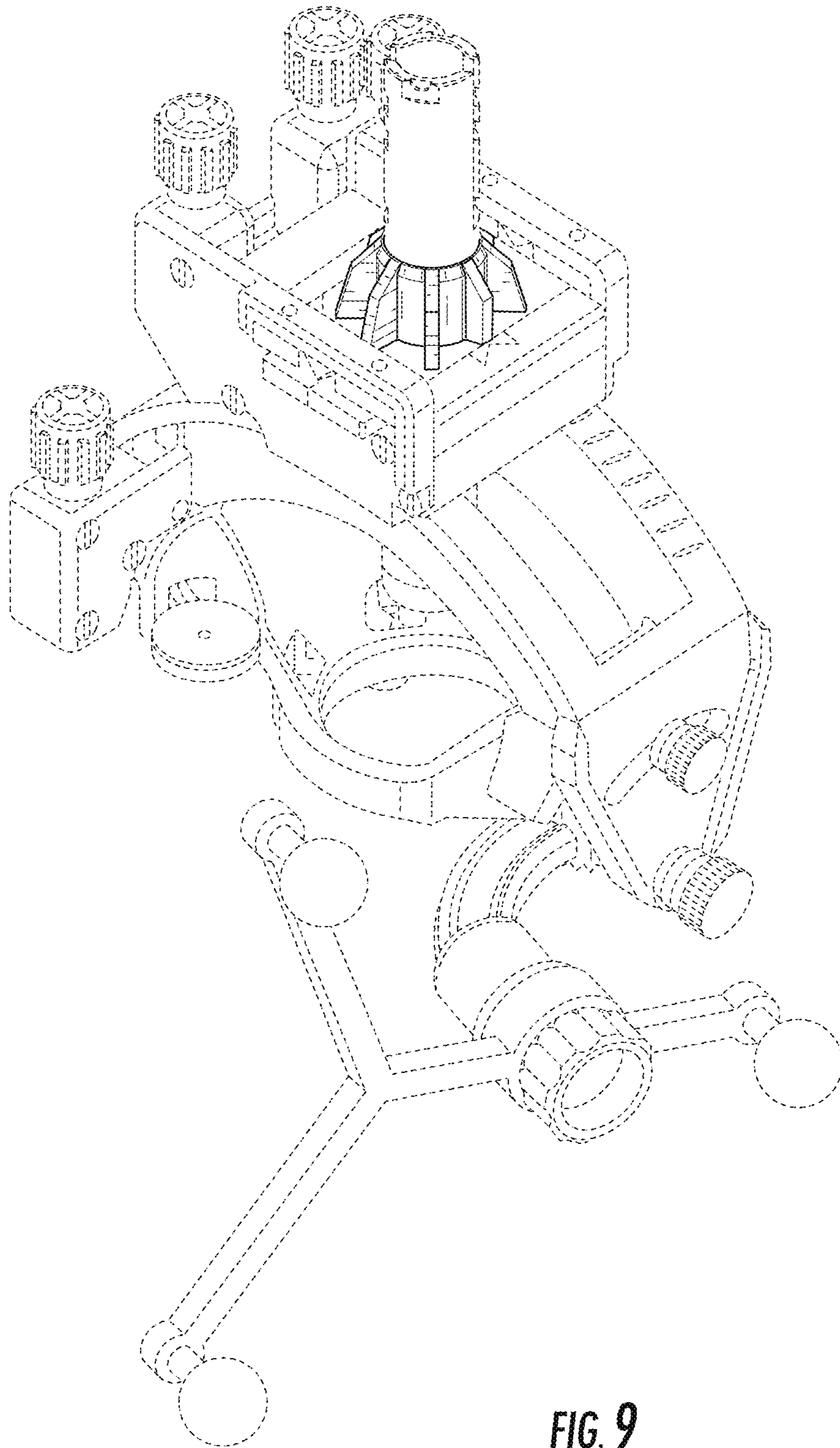


FIG. 9