



US00D824026S

(12) **United States Design Patent**
Eaton et al.

(10) **Patent No.:** **US D824,026 S**

(45) **Date of Patent:** **** Jul. 24, 2018**

(54) **HOLDER FOR SINGLE-USE CONTAINER**

(71) Applicant: **EYE DROP IMAGING TECHNOLOGY, LLC**, Fort Myers, FL (US)

(72) Inventors: **Alexander M. Eaton**, Fort Myers, FL (US); **Ruixue Liu**, Fort Myers, FL (US); **Brian Bradley**, Fort Myers, FL (US)

(73) Assignee: **Eye Drop Imaging Technology, LLC**, Fort Myers, FL (US)

(**) Term: **15 Years**

(21) Appl. No.: **29/615,056**

(22) Filed: **Aug. 25, 2017**

(51) **LOC (11) Cl.** **24-02**

(52) **U.S. Cl.**
USPC **D24/128**

(58) **Field of Classification Search**
USPC D24/127–131, 112–114, 133, 186;
606/181, 185; 604/264, 523–528, 272,
604/187, 158, 164.01–164.11, 181, 184,
604/227; 600/101, 139, 143;
128/200.24, 207.14, 207.15
CPC .. A61M 25/065; A61M 5/42; A61M 25/0612;
A61M 25/00; A61M 39/00; A61M 27/00
See application file for complete search history.

(56) **References Cited**

U.S. PATENT DOCUMENTS

4,198,967 A * 4/1980 Dror A61B 17/30
128/207.14
D360,686 S * 7/1995 Kumar D24/133

D597,666 S * 8/2009 George D24/128
D655,407 S * 3/2012 Adams D24/128
D679,809 S * 4/2013 Clarke D24/110.1
D792,968 S * 7/2017 Galitz D24/128
D796,671 S * 9/2017 Khouri D24/133
D808,012 S * 1/2018 Eaton D24/128
D809,655 S * 2/2018 Eaton D24/128
D810,288 S * 2/2018 Eaton D24/128
D812,744 S * 3/2018 Robinson D24/133
D815,735 S * 4/2018 Aliberti D24/128
D817,485 S * 5/2018 Gottschalk D24/128

* cited by examiner

Primary Examiner — David Muller

(74) *Attorney, Agent, or Firm* — Yakov S. Sidorin;
Quarles & Brady LLP

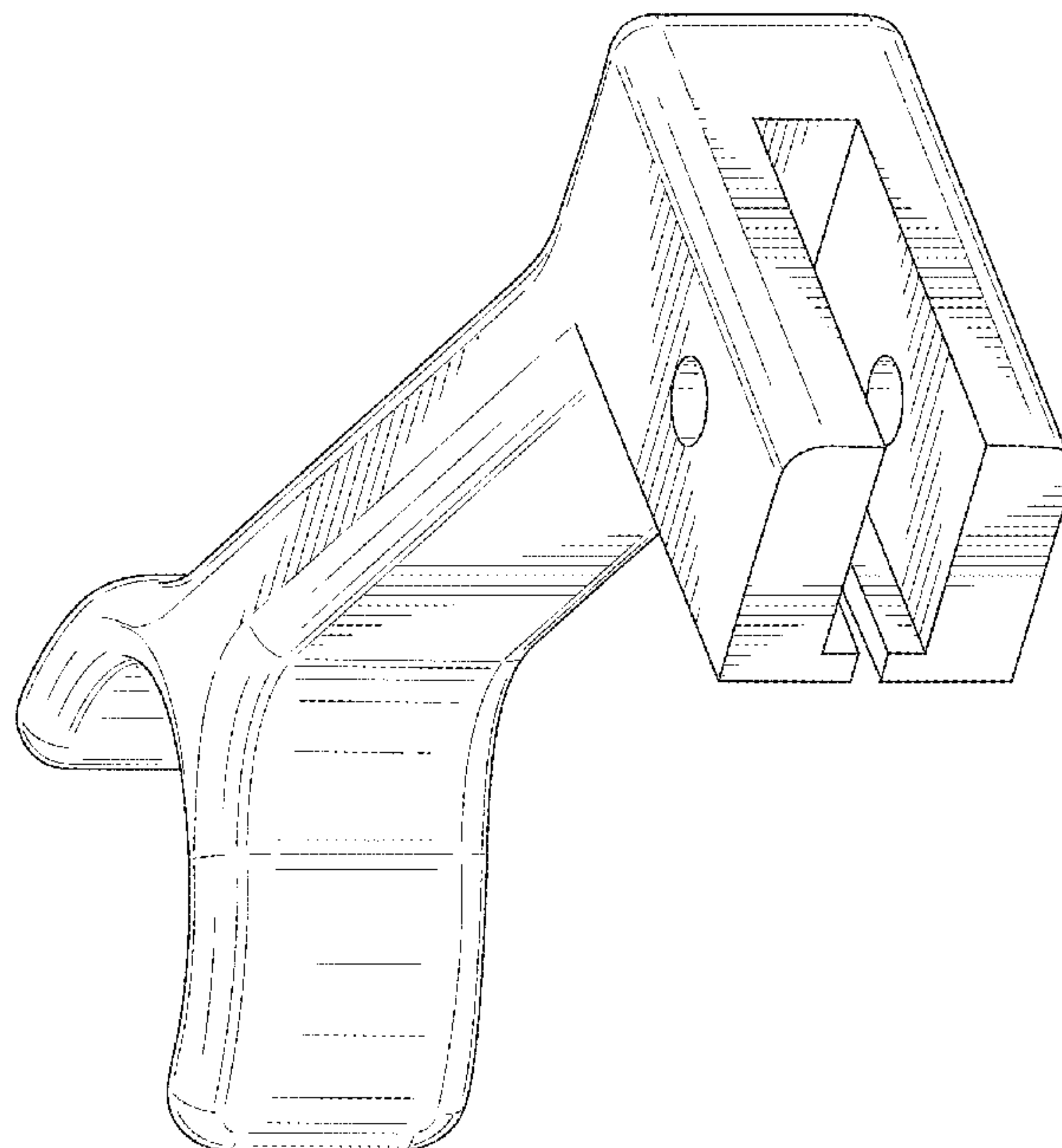
(57) **CLAIM**

The ornamental design for a holder for single-use container, as shown and described.

DESCRIPTION

FIG. 1 is a first perspective view of the design;
FIG. 2 is a first elevational view thereof;
FIG. 3 is a second elevational view thereof;
FIG. 4 is a third elevational view thereof;
FIG. 5 is a fourth elevational view thereof;
FIG. 6 is a top plan view thereof; and,
FIG. 7 is a bottom plan view thereof.

1 Claim, 5 Drawing Sheets



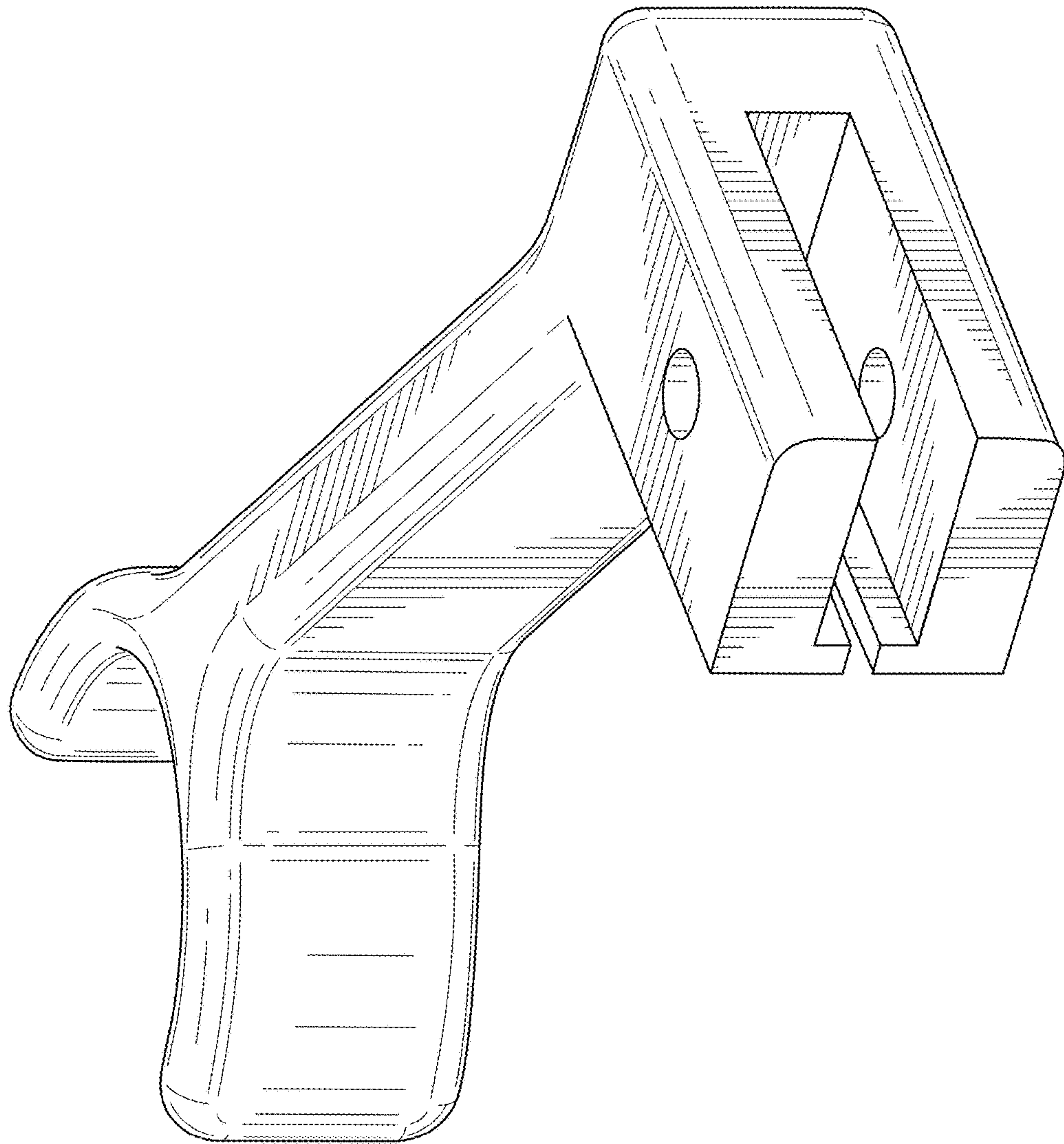


FIG. 1

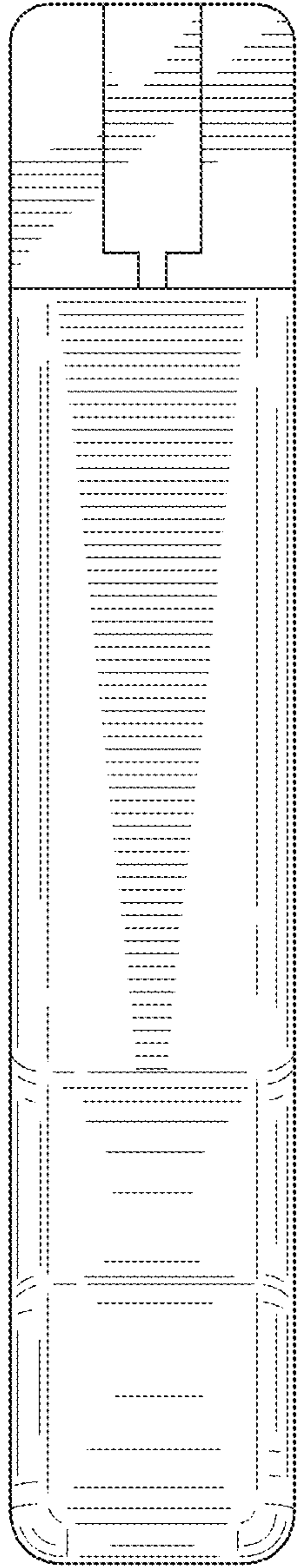


FIG. 2

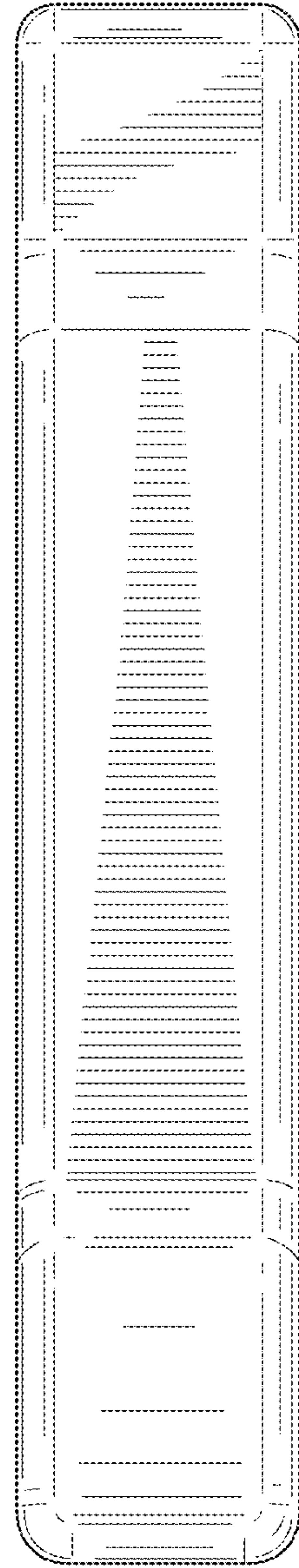


FIG. 3

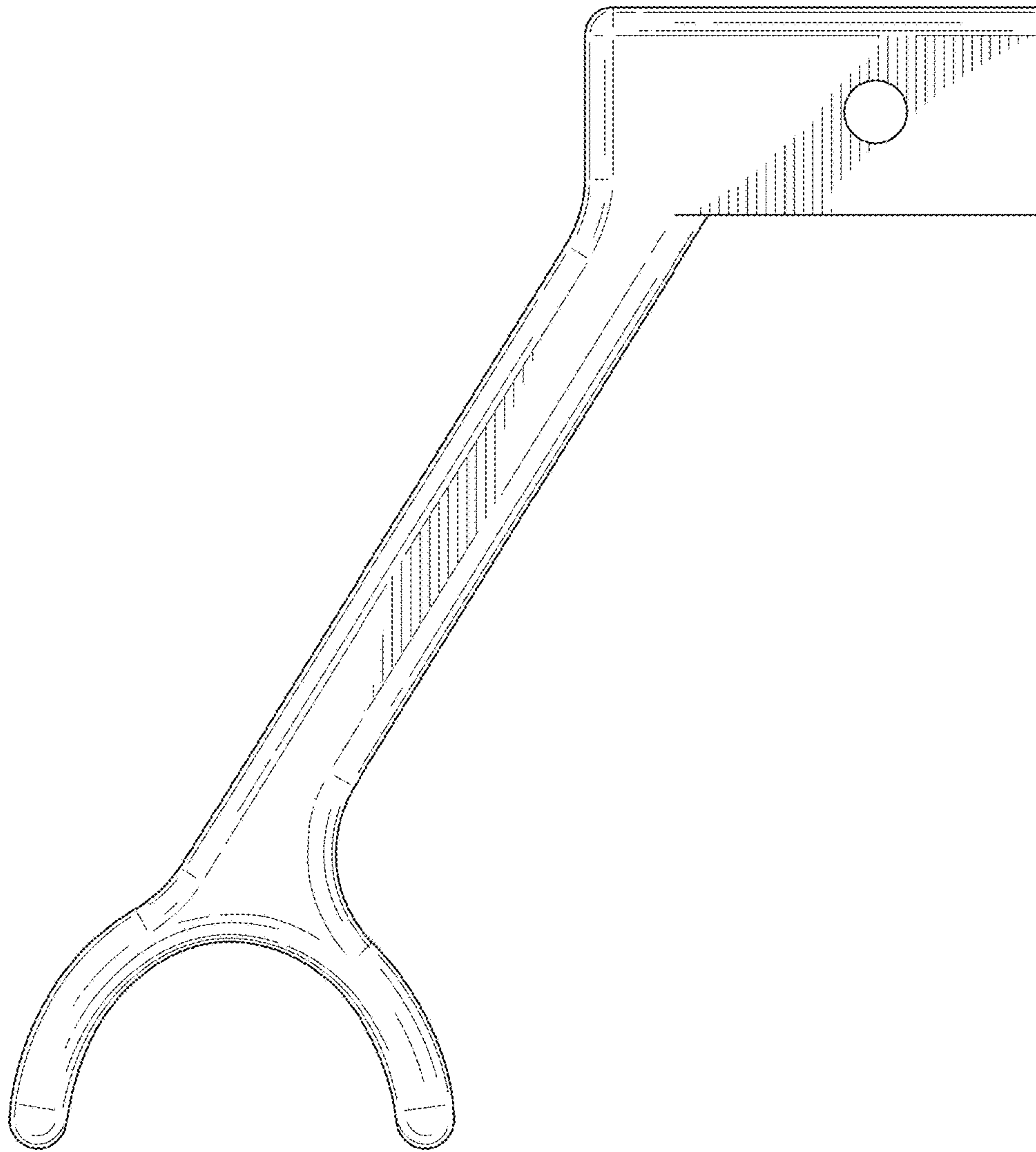


FIG. 4

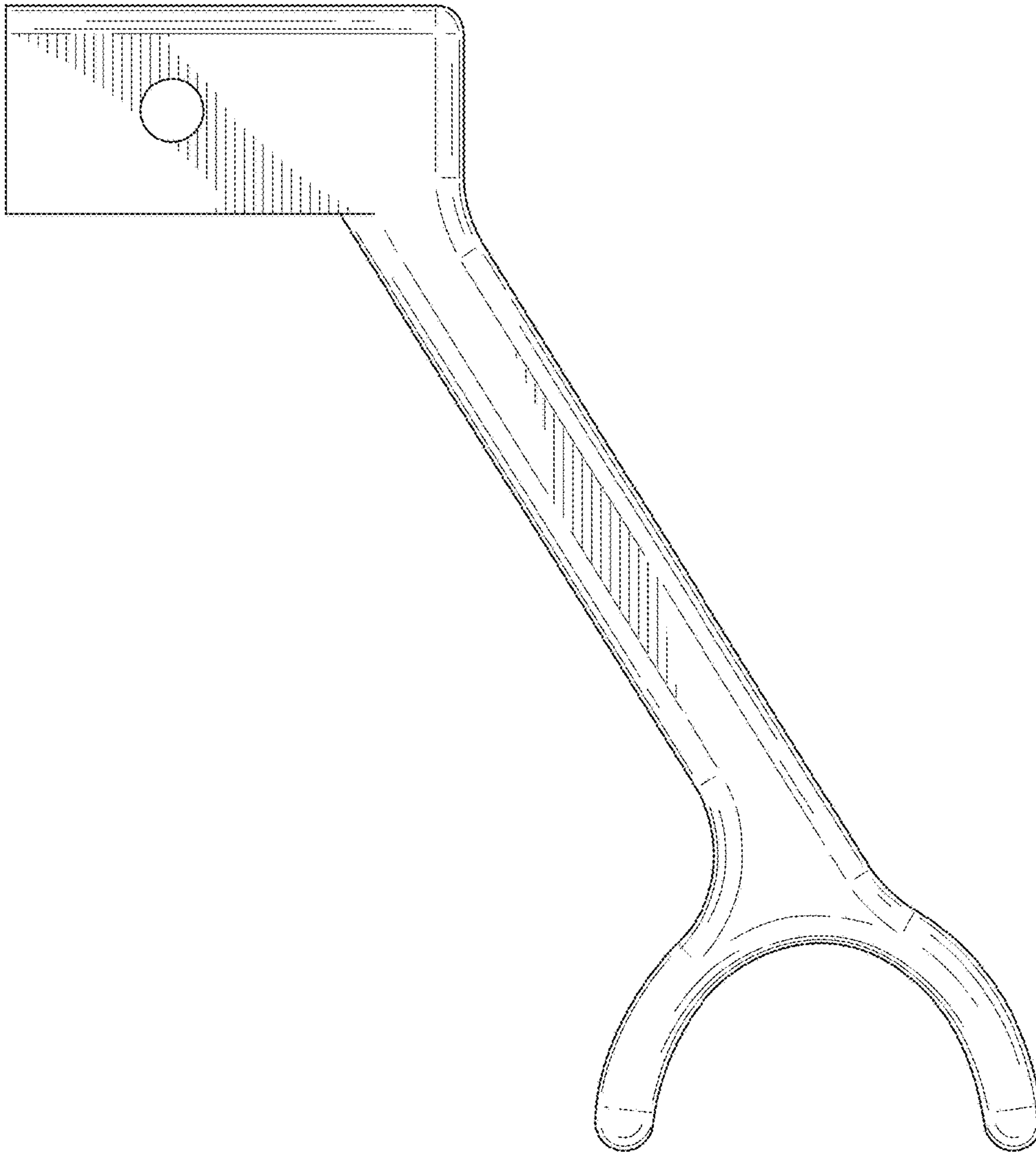


FIG. 5

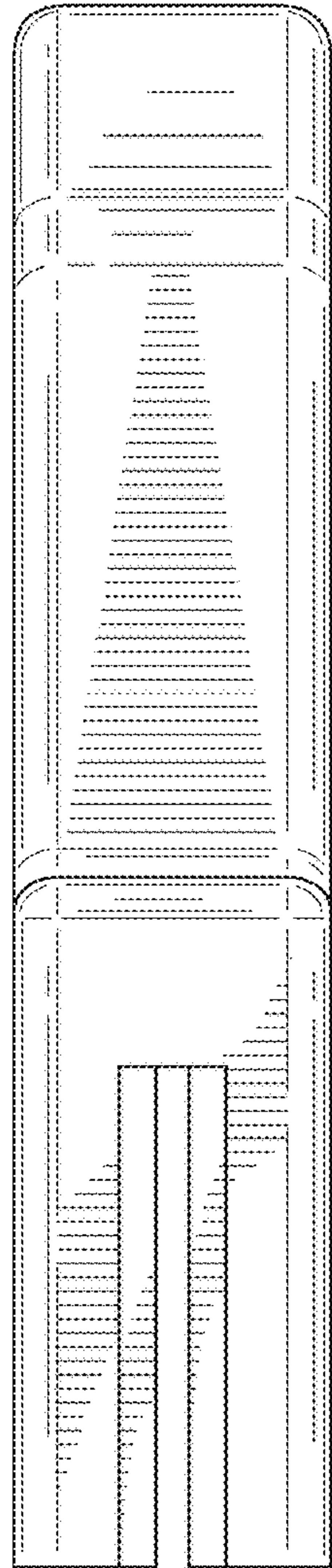


FIG. 6

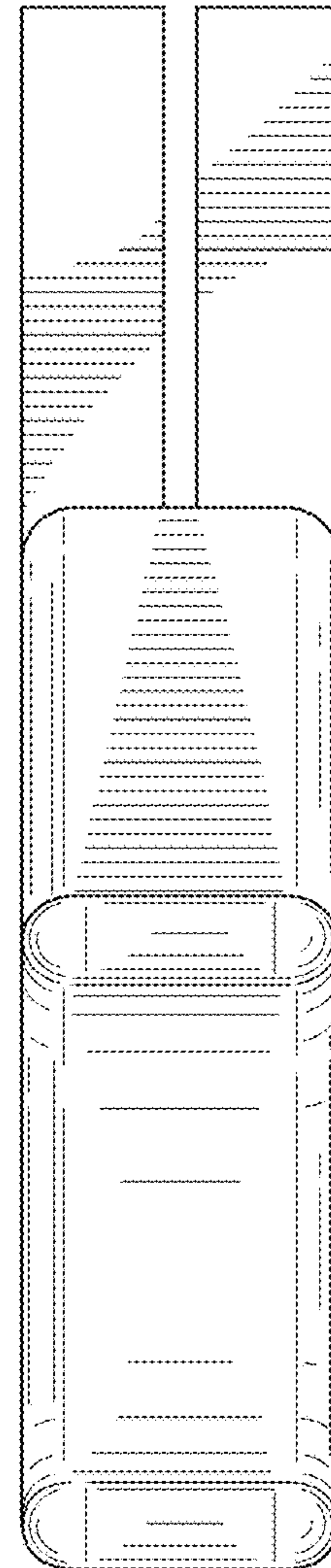


FIG. 7