



US00D824025S

(12) **United States Design Patent**
Eaton et al.

(10) **Patent No.:** **US D824,025 S**
(45) **Date of Patent:** **** Jul. 24, 2018**

- (54) **CROSS-HOLDER FOR A CONTAINER**
- (71) Applicants: **Alexander M. Eaton**, Fort Myers, FL (US); **Ruixue Liu**, Fort Myers, FL (US)
- (72) Inventors: **Alexander M. Eaton**, Fort Myers, FL (US); **Ruixue Liu**, Fort Myers, FL (US)
- (73) Assignee: **Eye Drop Imaging Technology, LLC**, Fort Myers, FL (US)

D679,809 S *	4/2013	Clarke	D24/110.1
D751,702 S *	3/2016	Eaton	D24/128
D773,041 S *	11/2016	Lentsch	D24/128
D792,968 S *	7/2017	Galitz	D24/128
D796,671 S *	9/2017	Khoury	D24/133
D808,012 S *	1/2018	Eaton	D24/128
D809,655 S *	2/2018	Eaton	D24/128
D810,288 S *	2/2018	Eaton	D24/128
D812,744 S *	3/2018	Robinson	D24/133
D813,400 S *	3/2018	Bechtel	D24/186
D815,735 S *	4/2018	Aliberti	D24/128

(**) Term: **15 Years**

(21) Appl. No.: **29/611,244**

(22) Filed: **Jul. 19, 2017**

(51) **LOC (11) Cl.** **24-02**

(52) **U.S. Cl.**
USPC **D24/128**

(58) **Field of Classification Search**
 USPC D24/127-131, 112-114, 133, 186;
 606/181, 185; 604/264, 523-528, 272,
 604/187, 158, 164.01-164.11, 181, 184,
 604/227; 600/101, 139, 143;
 128/200.24, 207.14, 207.15
 CPC .. A61M 25/065; A61M 5/42; A61M 25/0612;
 A61M 25/00; A61M 39/00; A61M 27/00;
 A61M 25/0043; A61M 25/0067; A61M
 25/0097; A61F 2/958
 See application file for complete search history.

(56) **References Cited**

U.S. PATENT DOCUMENTS

4,198,967 A *	4/1980	Dror	A61B 17/30
				128/207.14
D597,666 S *	8/2009	George	D24/128

* cited by examiner

Primary Examiner — David Muller

(74) *Attorney, Agent, or Firm* — Yakov S. Sidorin;
Quarles & Brady LLP

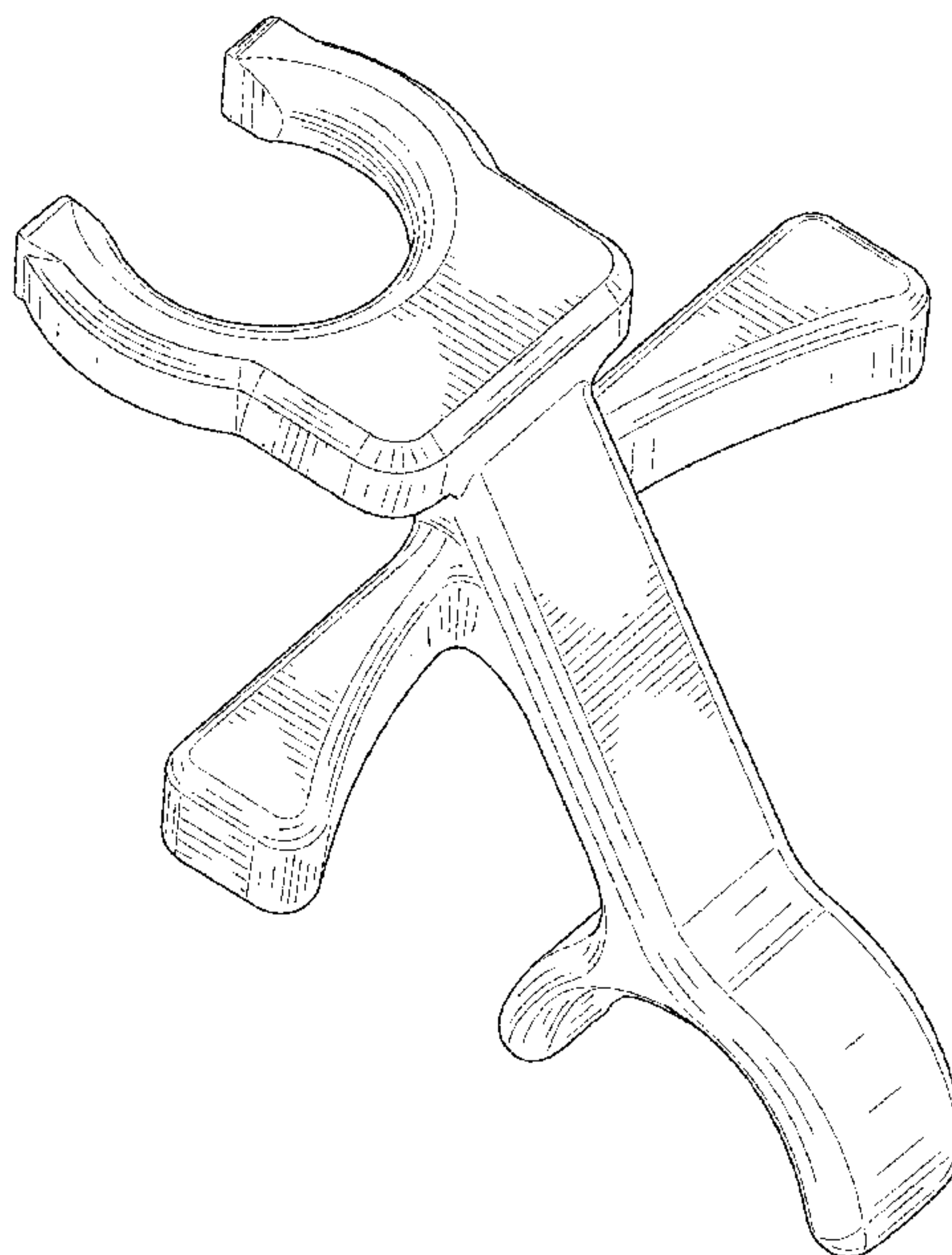
(57) **CLAIM**

The ornamental design for a cross-holder for a container, as shown and described.

DESCRIPTION

FIG. 1 is a first perspective view of the design;
 FIG. 2 is a first elevational view thereof;
 FIG. 3 is a second elevational view thereof;
 FIG. 4 is a top plan view thereof;
 FIG. 5 is a bottom plan view thereof;
 FIG. 6 is a third elevational view thereof; and,
 FIG. 7 is a fourth elevational view thereof.

1 Claim, 7 Drawing Sheets



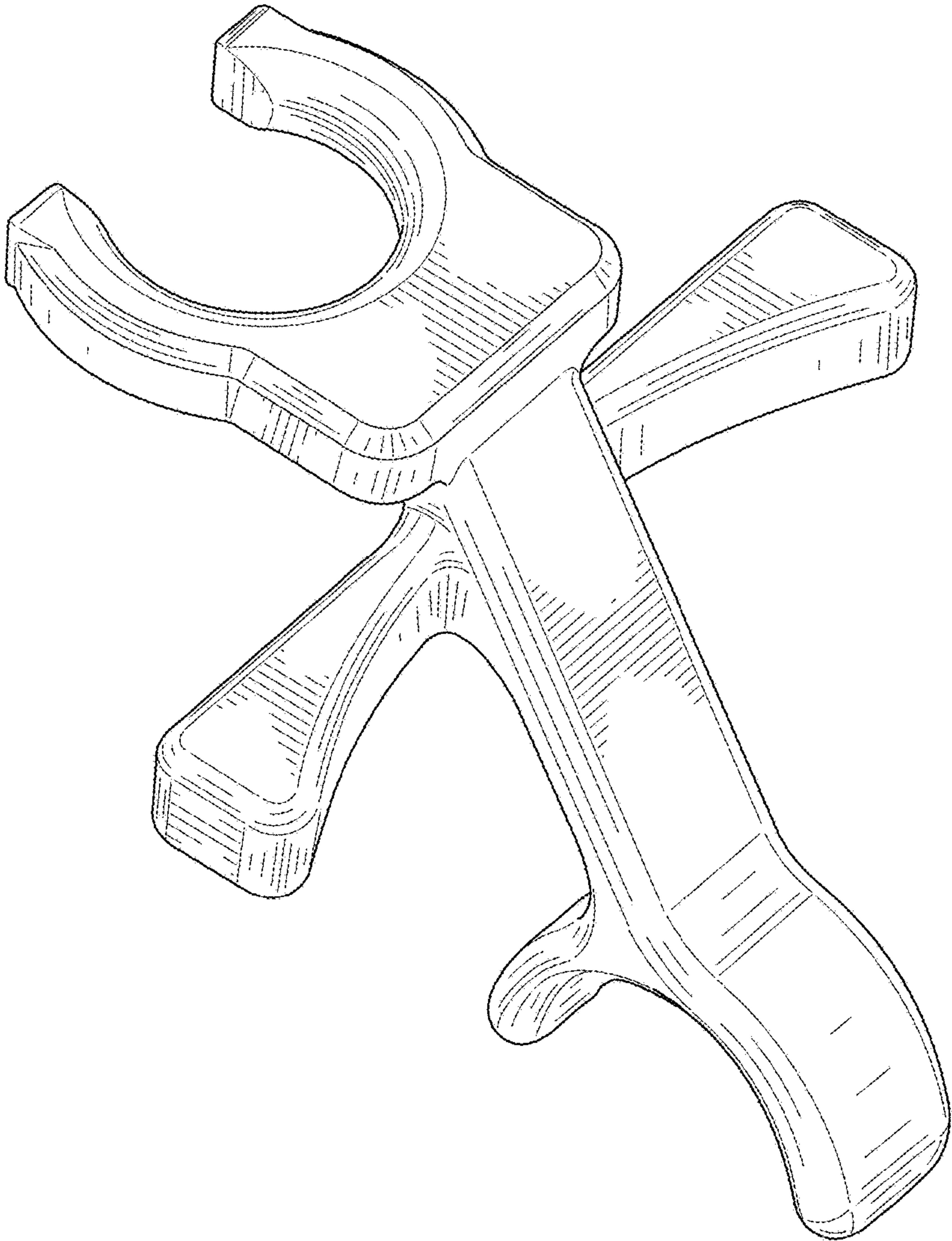


FIG. 1

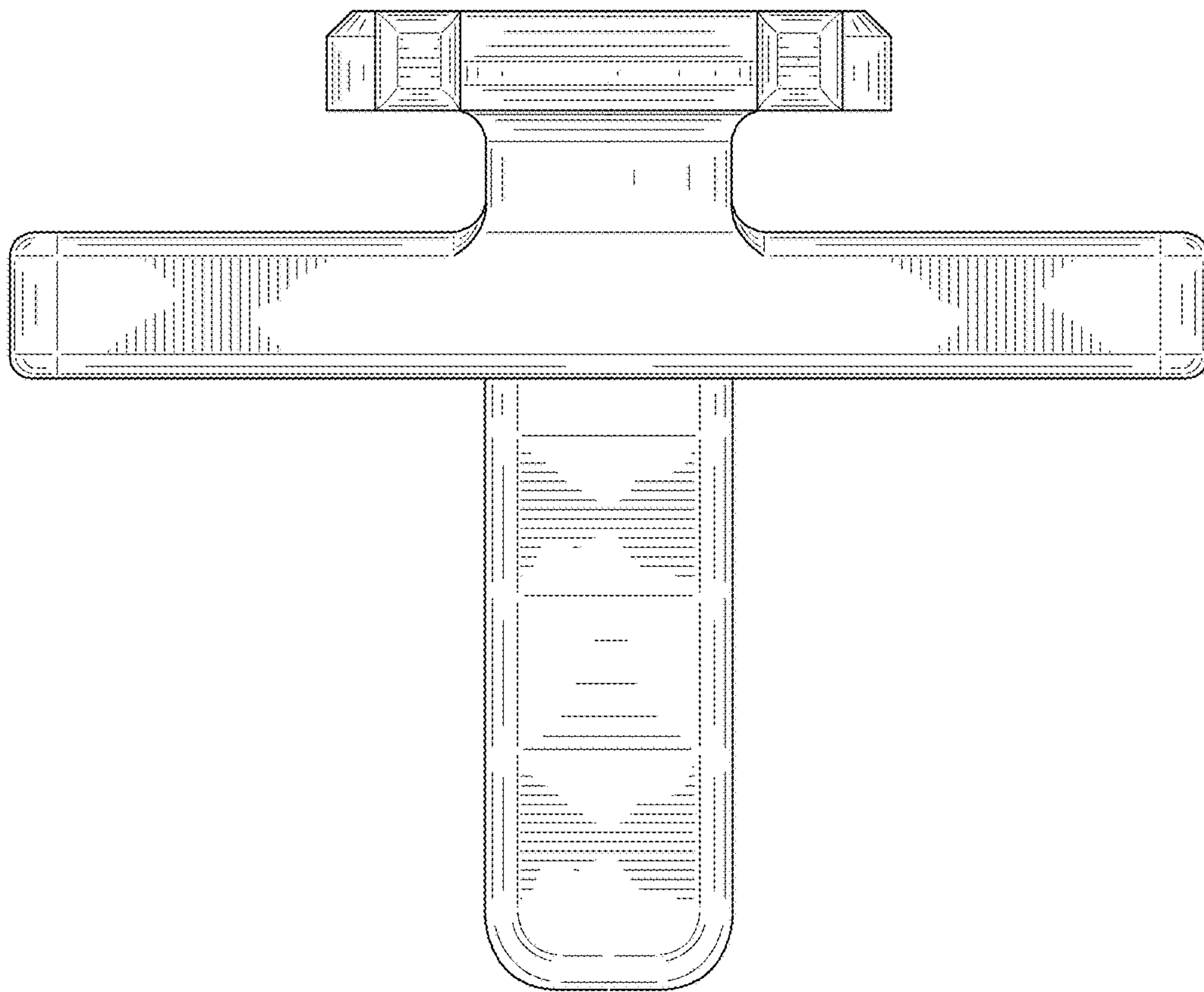


FIG. 2

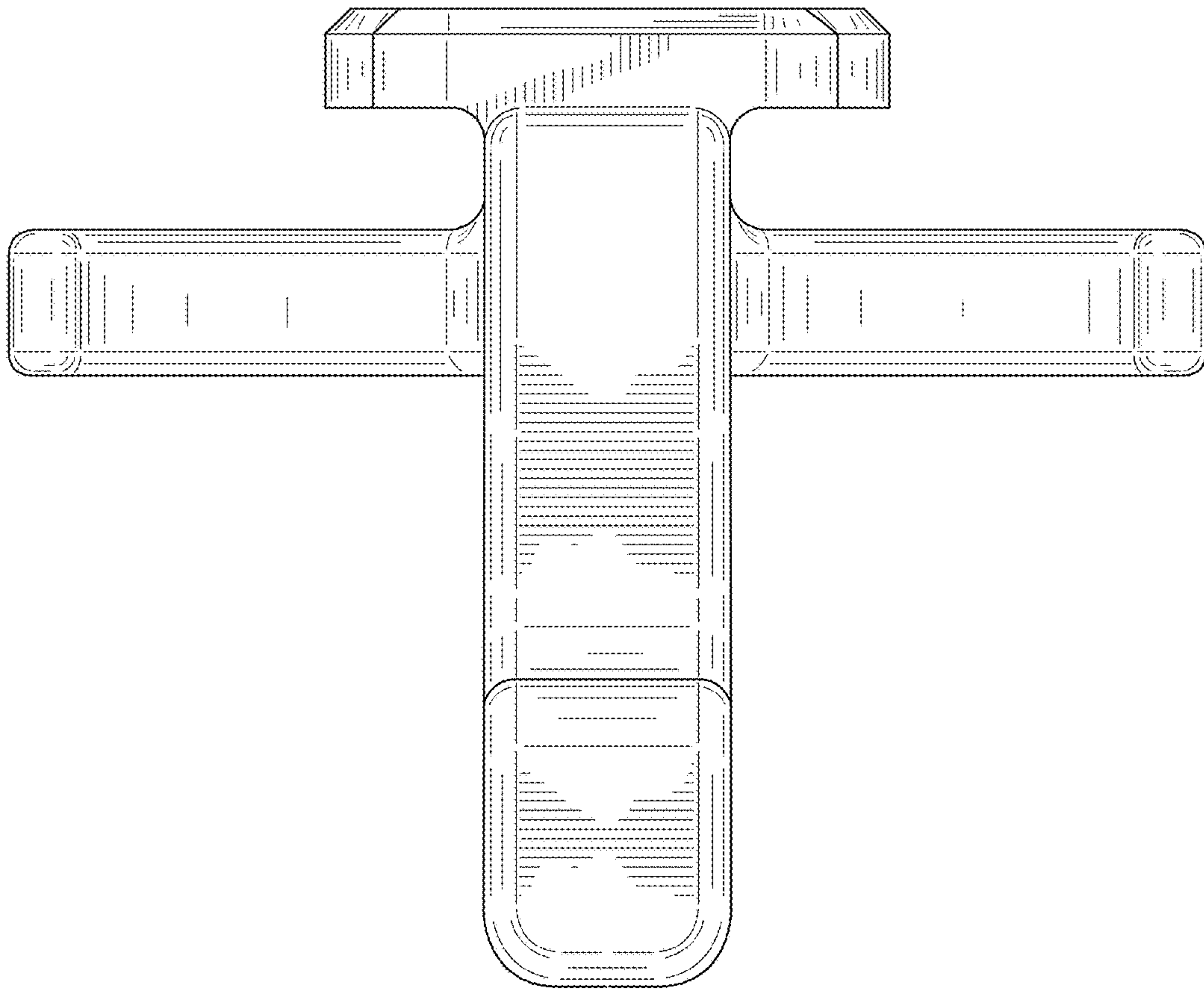


FIG. 3

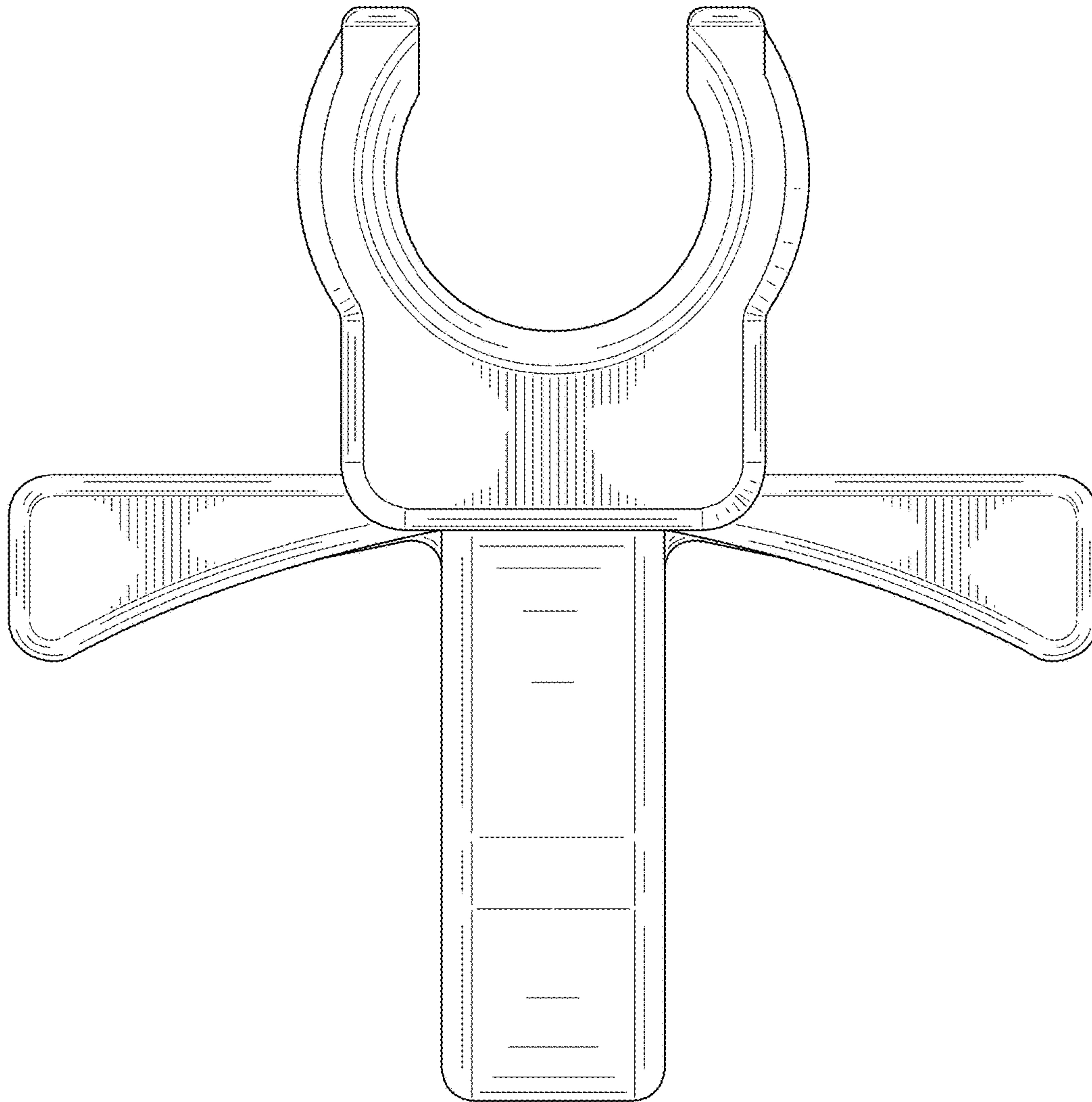


FIG. 4

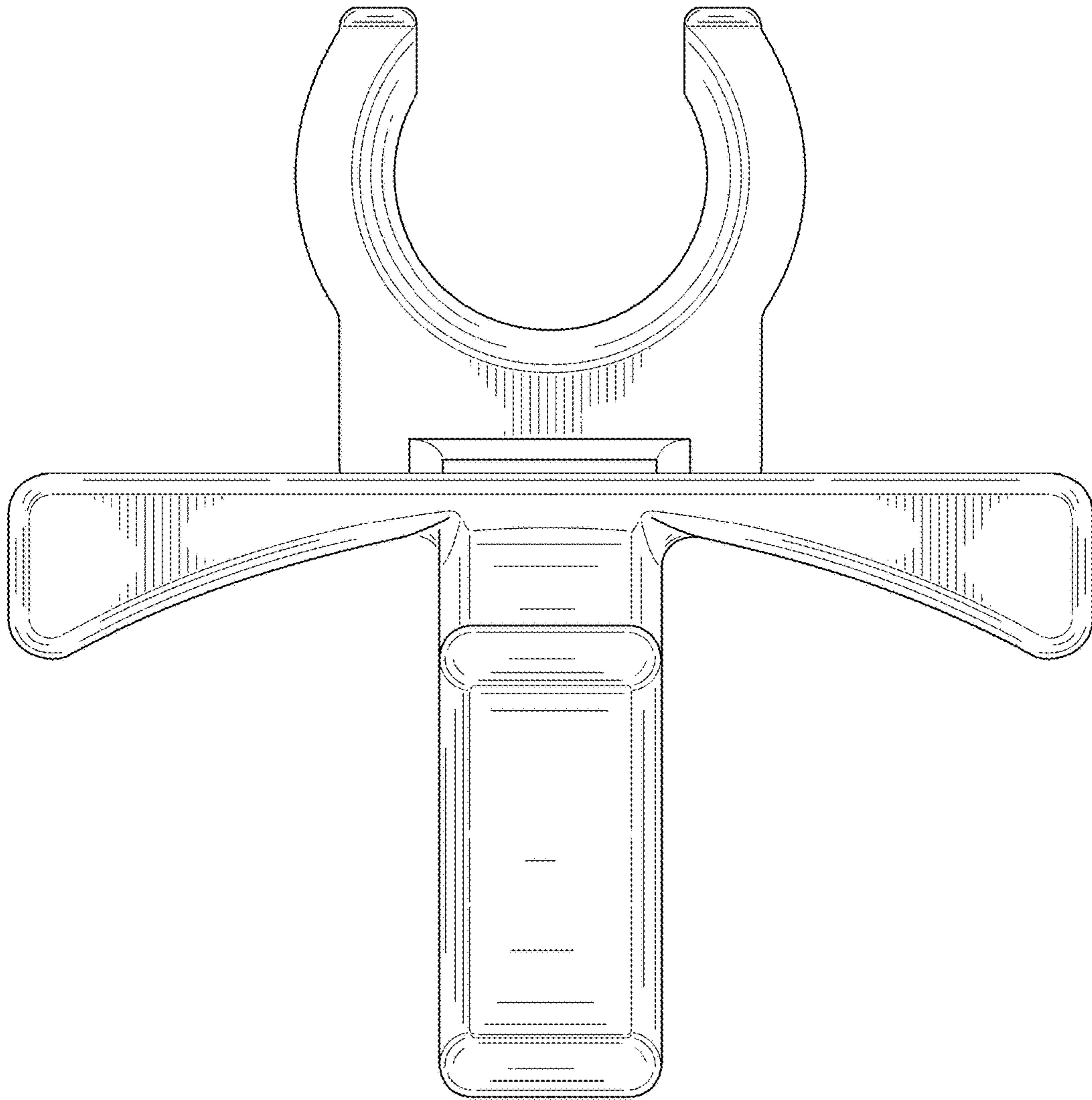


FIG. 5

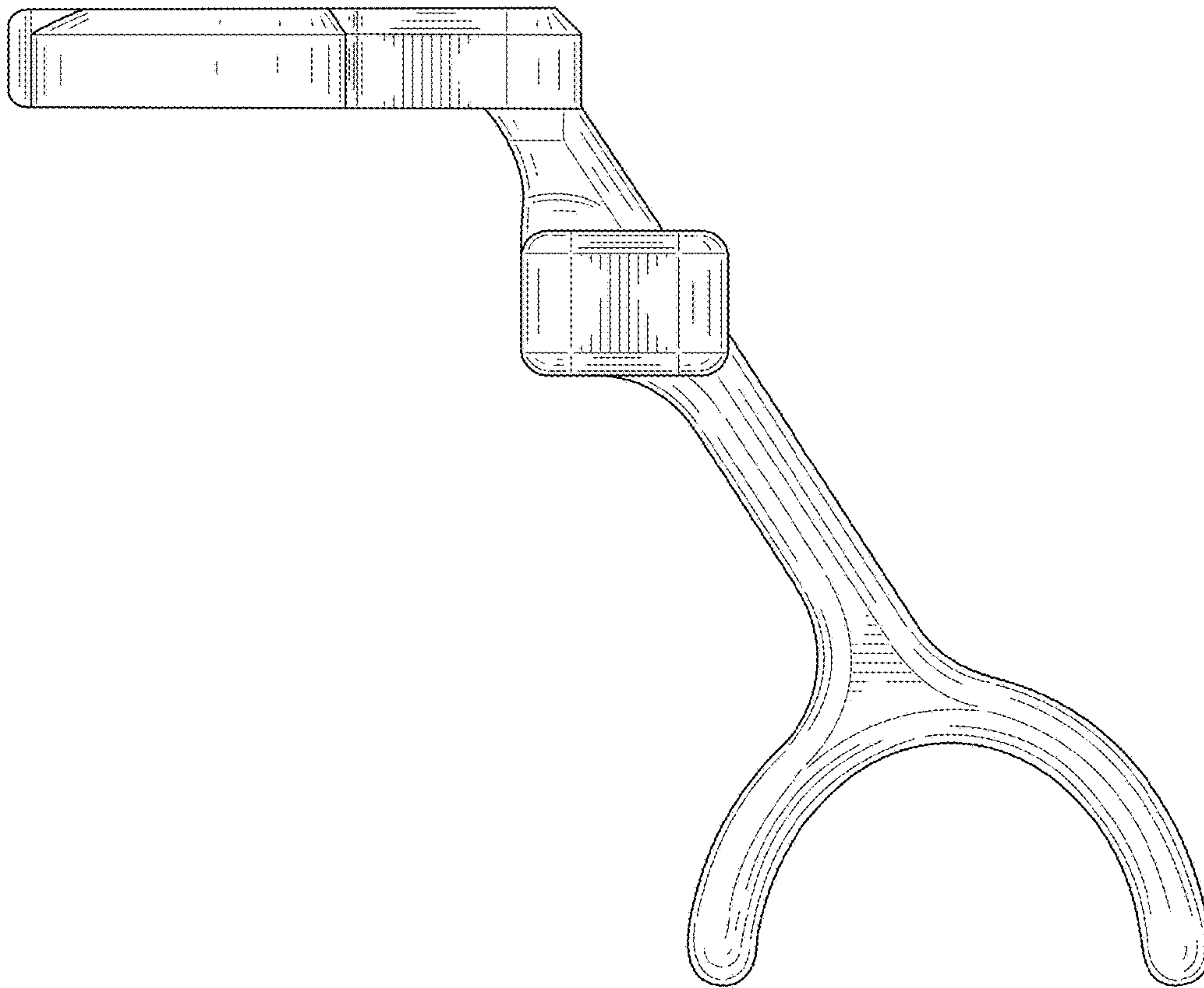


FIG. 6

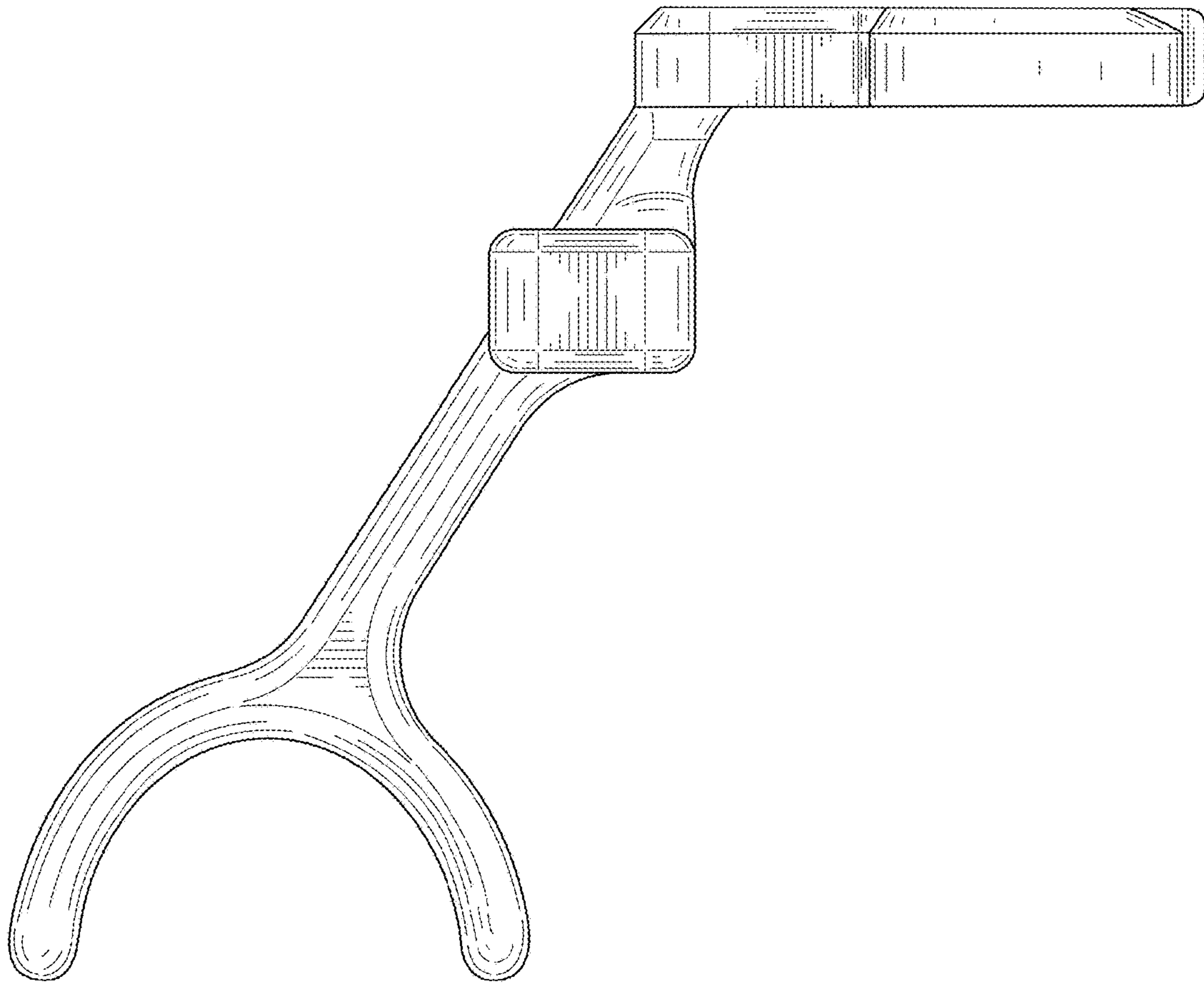


FIG. 7