

US00D824024S

(12) **United States Design Patent**
Eaton et al.

(10) **Patent No.:** **US D824,024 S**
(45) **Date of Patent:** **** Jul. 24, 2018**

(54) **CONTAINER HOLDER WITH A CAMERA**

(71) Applicant: **EYE DROP IMAGING TECHNOLOGY, LLC**, Fort Myers, FL (US)

(72) Inventors: **Alexander M. Eaton**, Fort Myers, FL (US); **Ruixue Liu**, Fort Myers, FL (US); **Brian Bradley**, Fort Myers, FL (US)

(73) Assignee: **Eye Drop Imaging Technology, LLC**, Fort Myers, FL (US)

(**) Term: **15 Years**

(21) Appl. No.: **29/582,881**

(22) Filed: **Oct. 31, 2016**

(51) **LOC (11) Cl.** **24-01**

(52) **U.S. Cl.**
USPC **D24/128; D16/242**

(58) **Field of Classification Search**
USPC D8/354, 355, 363, 373, 382-383, D8/394-396; D14/224, 229, 238, 251, D14/447, 451, 457; D16/219, 237-250; D24/128

CPC G02B 7/00
See application file for complete search history.

(56) **References Cited**

U.S. PATENT DOCUMENTS

- 3,934,590 A * 1/1976 Campagna A61F 9/0026 604/302
- D249,709 S * 9/1978 Trovinger 604/300
- D457,952 S * 5/2002 Sherman D24/115
- D463,550 S * 9/2002 Sherman D24/115

- D499,804 S * 12/2004 Sherman D24/127
- D592,304 S * 5/2009 Kuehfuss D24/128
- D611,152 S * 3/2010 Updyke D24/169
- D652,517 S * 1/2012 Weaver D24/134
- D750,773 S 3/2016 Eaton et al.
- D751,702 S 3/2016 Eaton et al.
- D808,012 S * 1/2018 Eaton D24/128
- D809,655 S * 2/2018 Eaton D24/128
- D810,288 S * 2/2018 Eaton D24/128

FOREIGN PATENT DOCUMENTS

WO 2014081570 A1 5/2015

* cited by examiner

Primary Examiner — Garth Rademaker

Assistant Examiner — Melvin L Davis

(74) *Attorney, Agent, or Firm* — Yakov S. Sidorin; Quarles & Brady LLP

(57) **CLAIM**

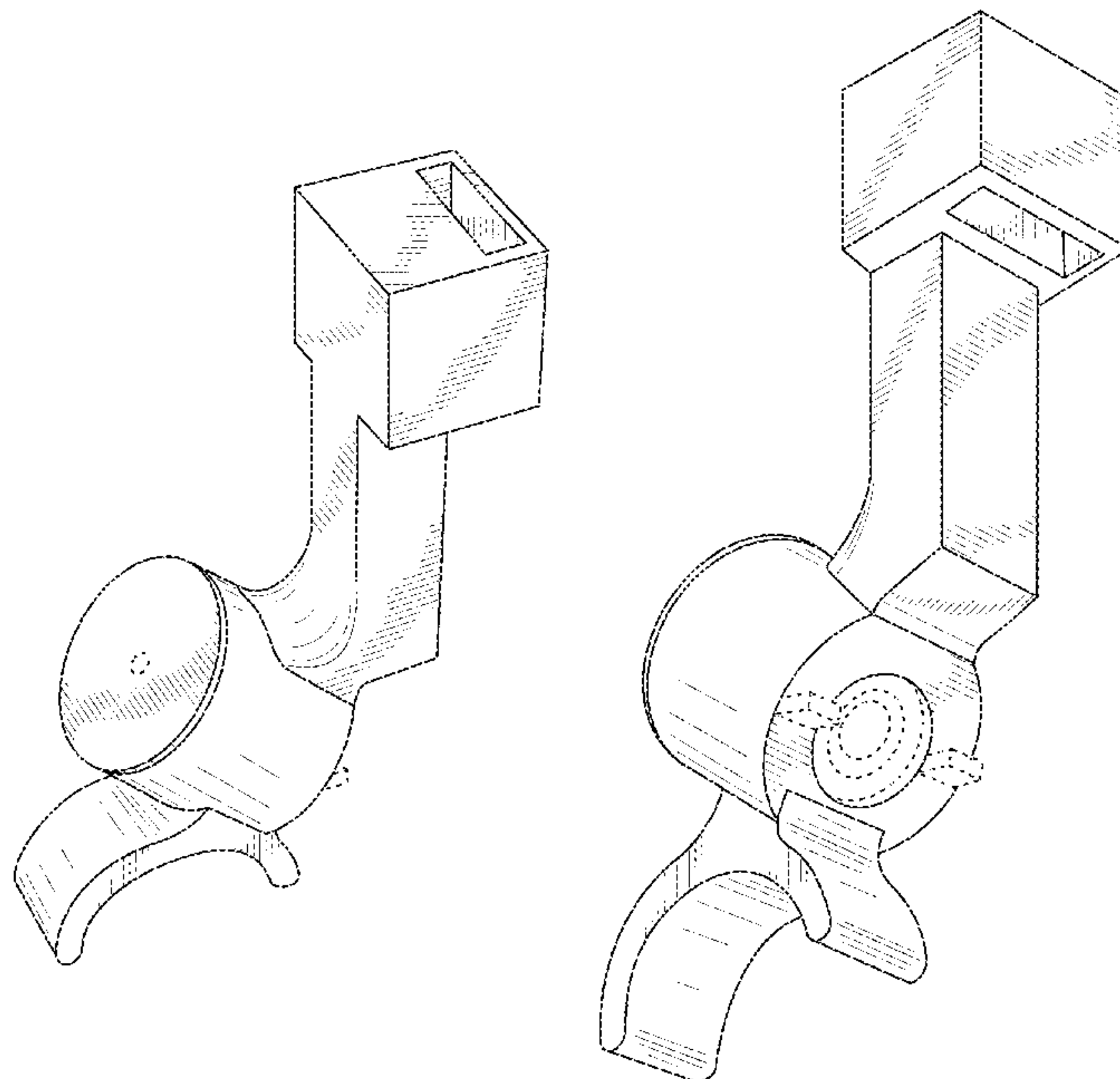
The ornamental design for a container holder with a camera, as shown and described.

DESCRIPTION

FIG. 1 is a front, top perspective view of a container holder with camera;
 FIG. 2 is a rear, bottom perspective view thereof;
 FIG. 3 is a side view thereof;
 FIG. 4 is an opposite side view thereof;
 FIG. 5 is a front view thereof;
 FIG. 6 is a rear view thereof;
 FIG. 7 is a top plan view thereof; and,
 FIG. 8 is a bottom plan view thereof.

The broken lines illustrate portions of the container holder with camera that form no part of the claimed design.

1 Claim, 6 Drawing Sheets



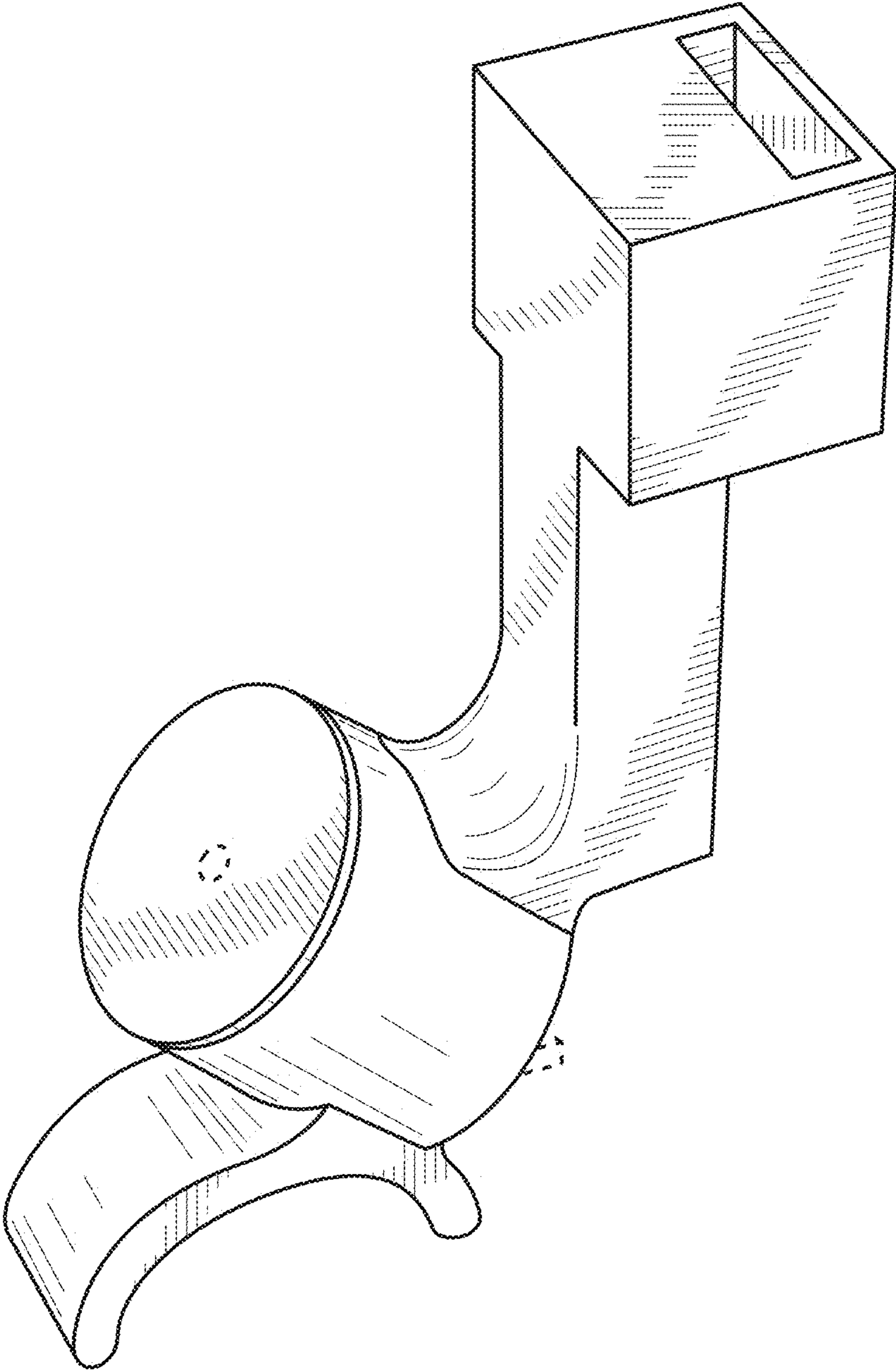


FIG. 1

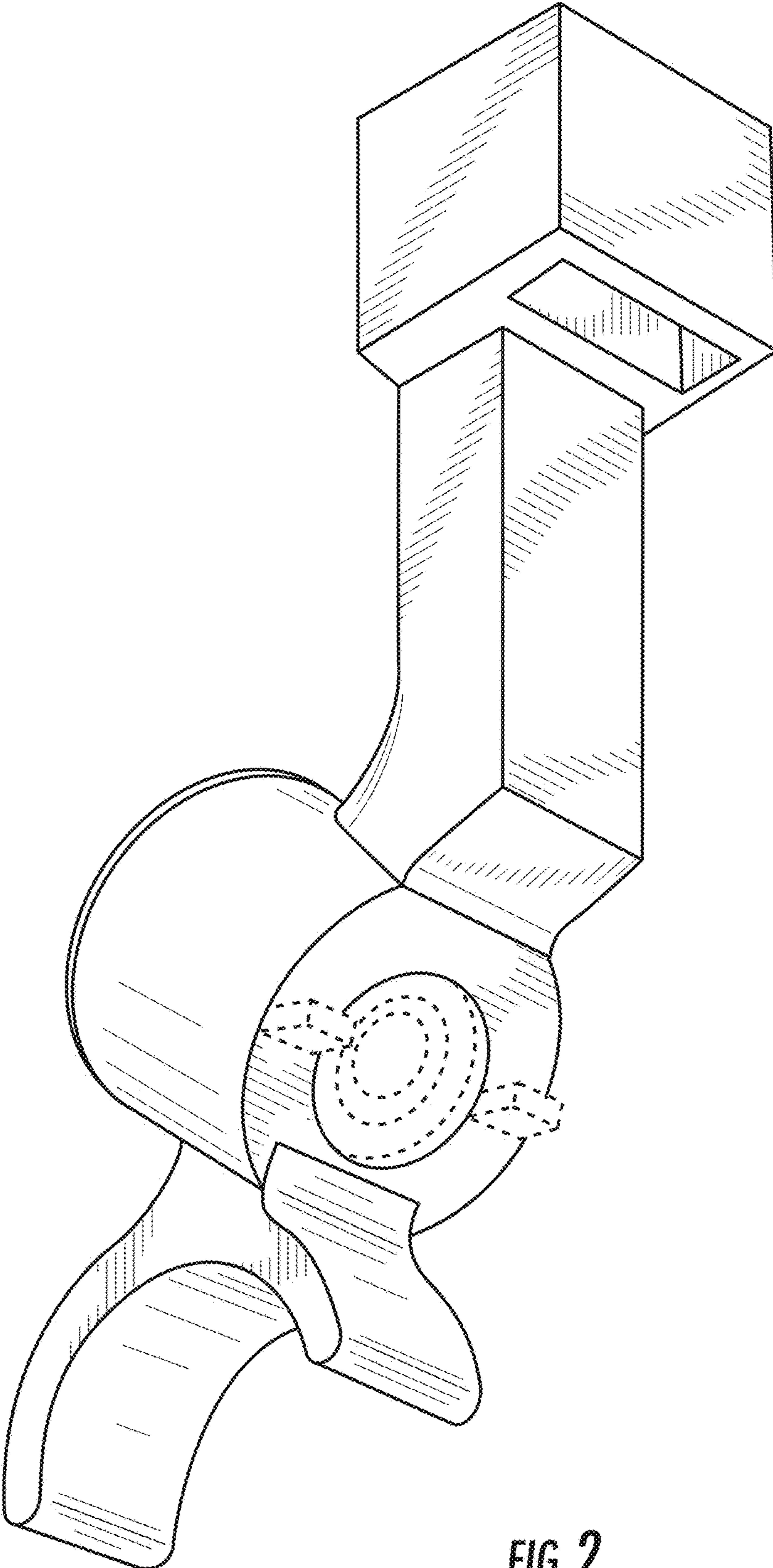


FIG. 2

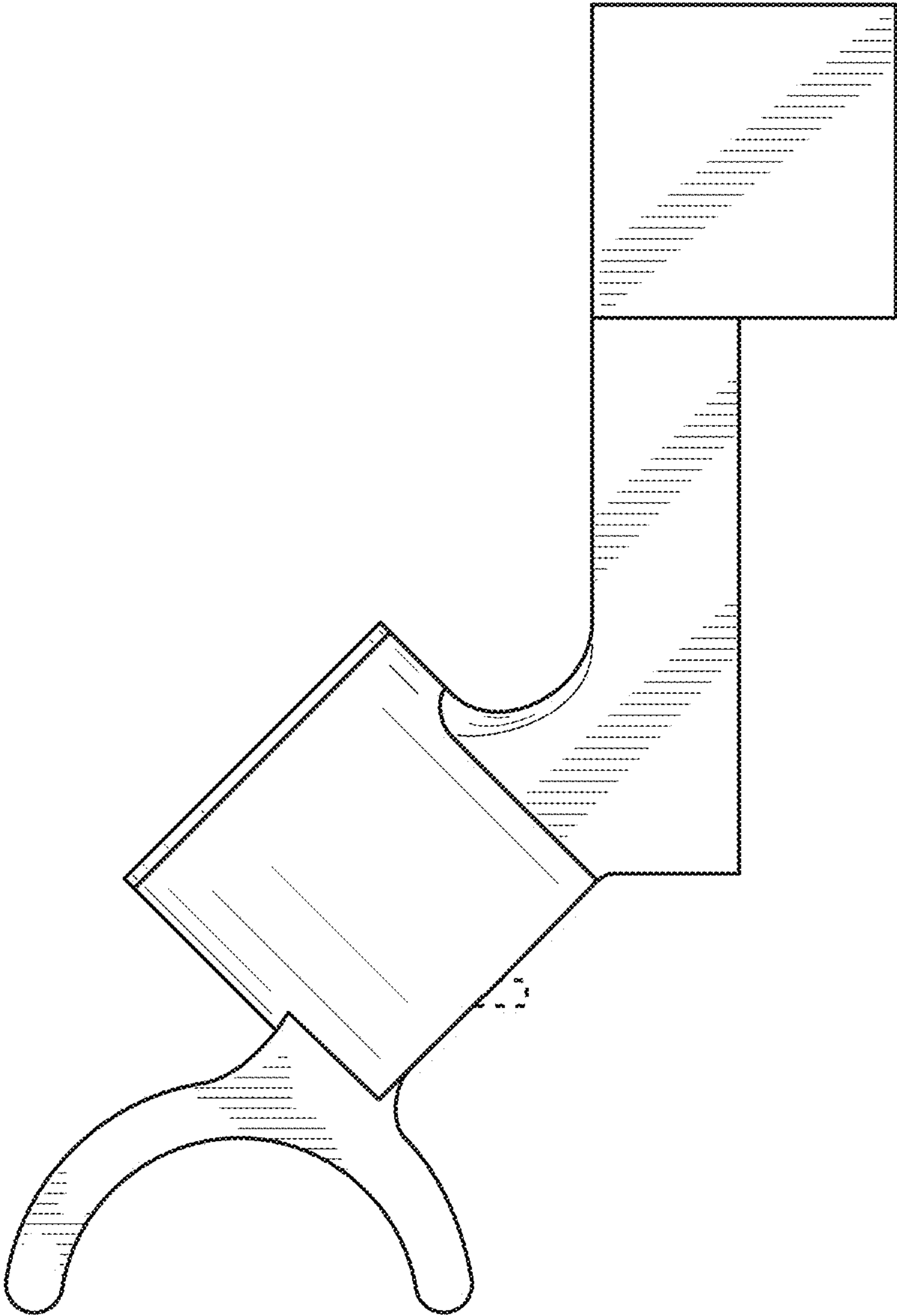


FIG. 3

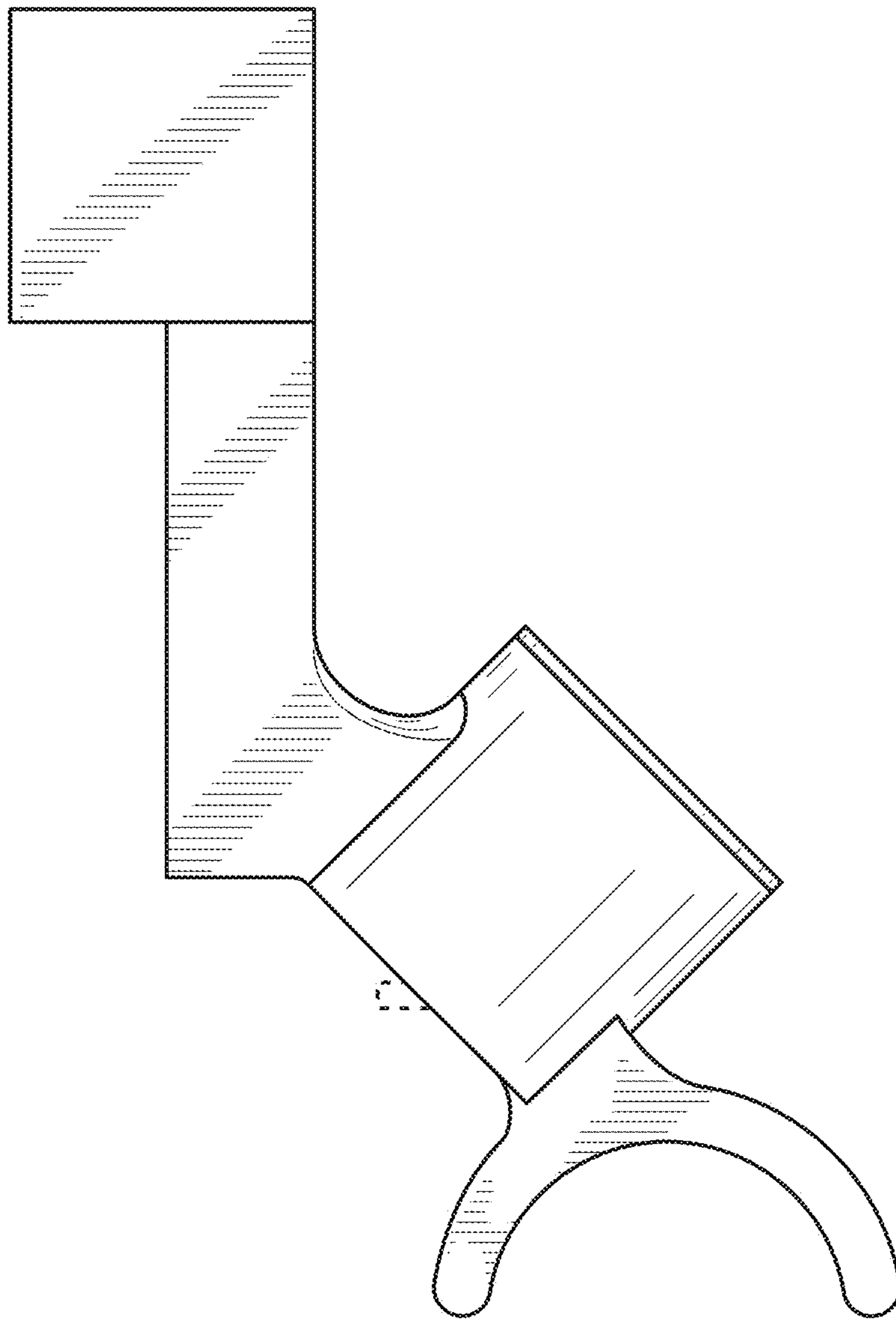


FIG. 4

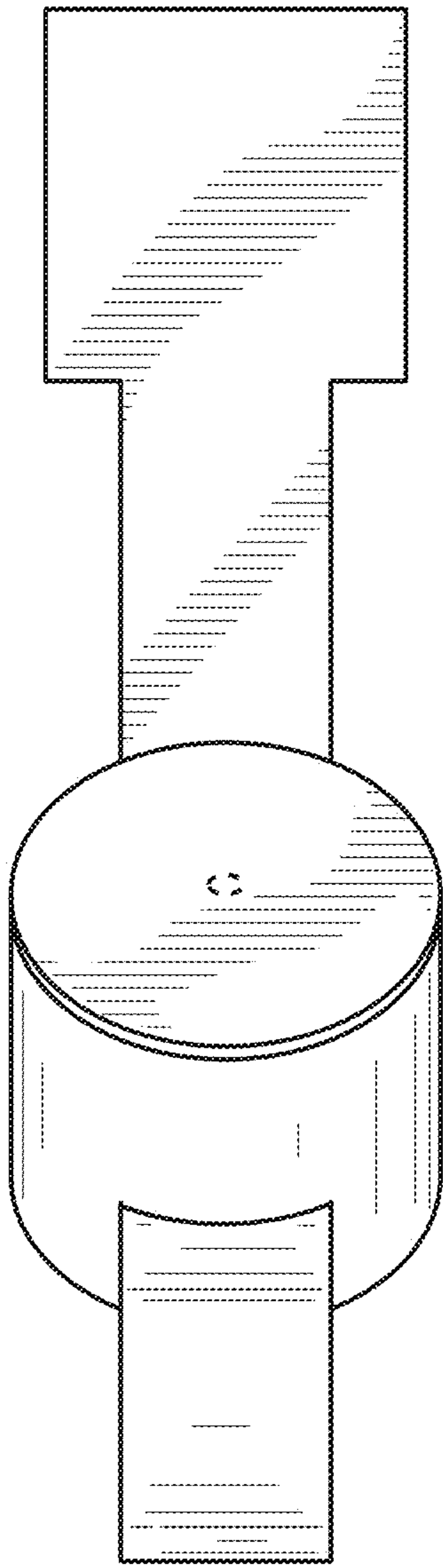


FIG. 5

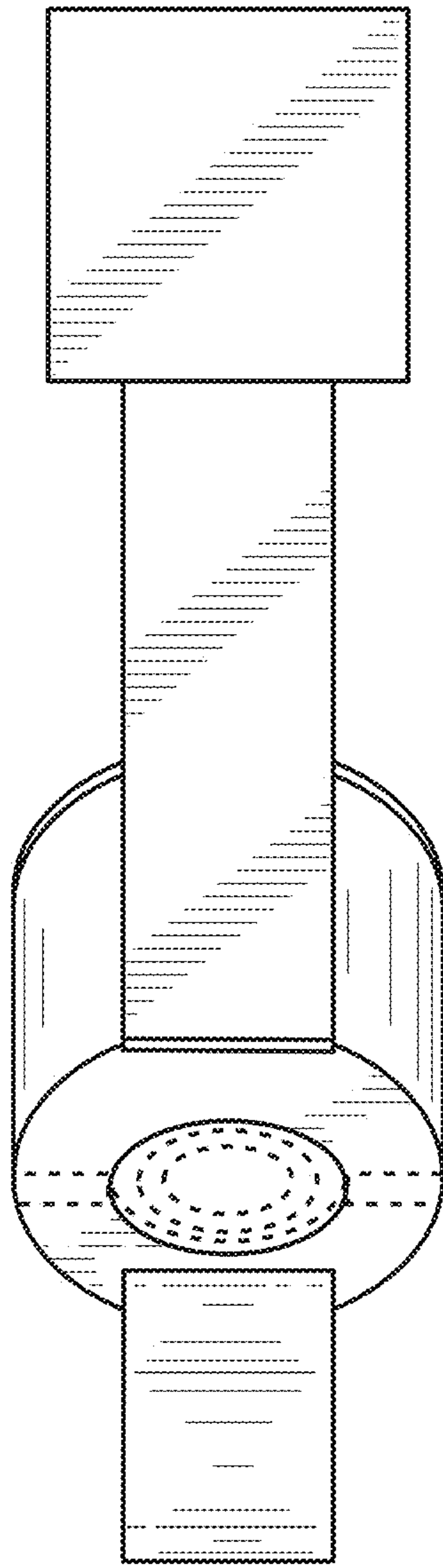


FIG. 6

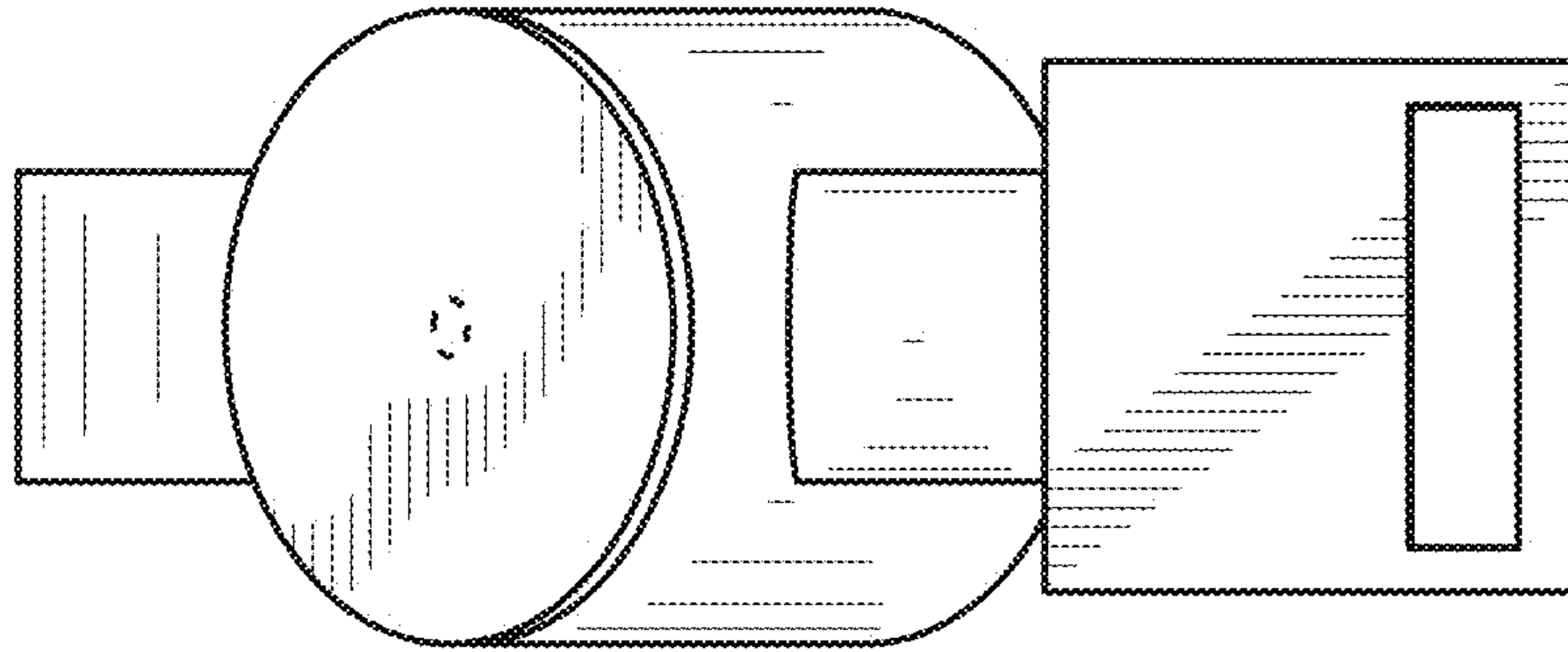


FIG. 7

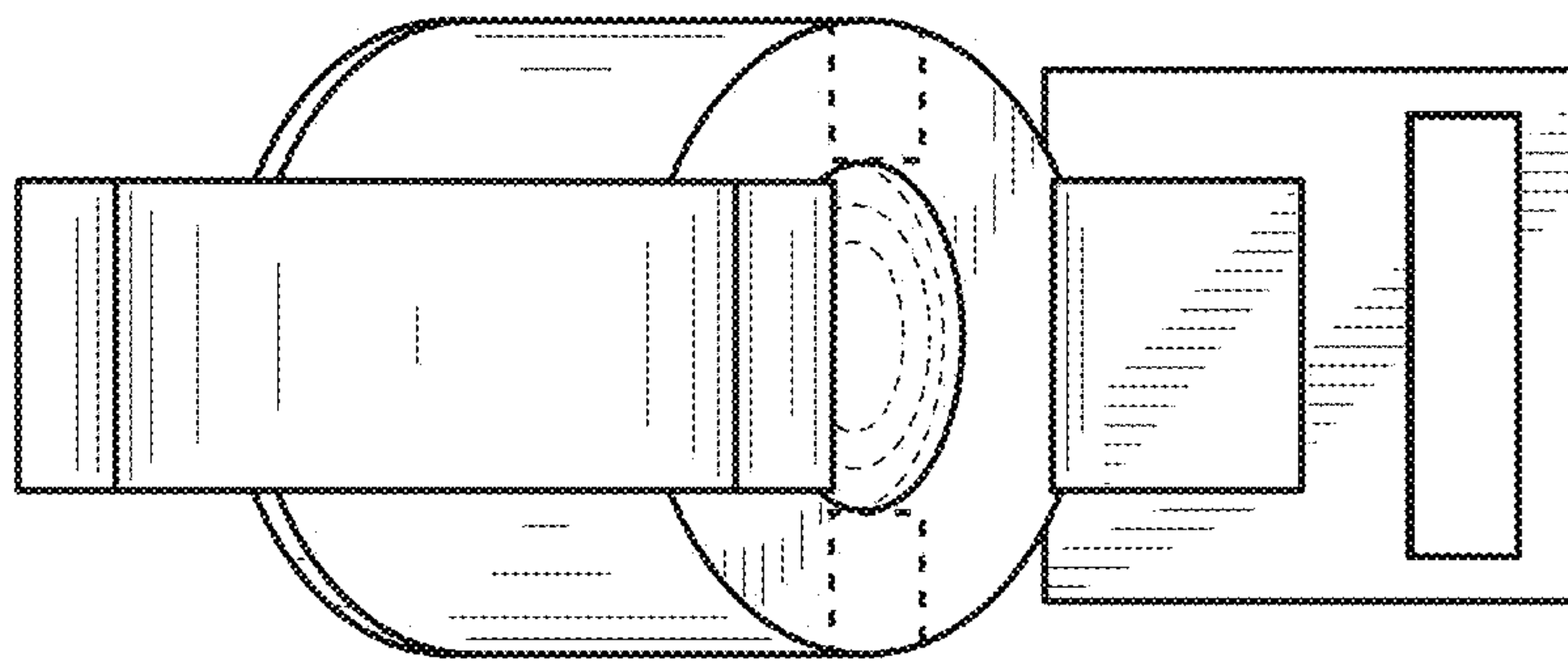


FIG. 8