



US00D824017S

(12) **United States Design Patent** (10) **Patent No.:** **US D824,017 S**
Warby et al. (45) **Date of Patent:** **** Jul. 24, 2018**

(54) **INHALER**
(71) Applicant: **Consort Medical plc**, Hemel Hempstead (GB)
(72) Inventors: **Richard Warby**, Wisbech (GB); **Carol Balfour**, King's Lynn (GB)

8,689,785 B2 * 4/2014 Wright G06M 1/00
128/200.14
2007/0284383 A1 * 12/2007 Wright G06M 1/00
221/7
2008/0017192 A1 * 1/2008 Southby A61M 15/009
128/200.23

(Continued)

FOREIGN PATENT DOCUMENTS

EM 000623764-0001 12/2006
EM 000623764-0002 12/2006

(Continued)

(73) Assignee: **Consort Medical plc** (GB)
(**) Term: **15 Years**

OTHER PUBLICATIONS

manufacturingchemist.com, Dose indicator monitors usage, website at https://www.manufacturingchemist.com/news/article_page/Dose_indicator_monitors_usage/80558, published on Aug. 30, 2012.

Primary Examiner — Karen Elizabeth Kearney
Assistant Examiner — Aula Soroush
(74) *Attorney, Agent, or Firm* — Saidman DesignLawGroup, LLC

(21) Appl. No.: **29/584,319**
(22) Filed: **Nov. 14, 2016**
(30) **Foreign Application Priority Data**

Jun. 22, 2016 (EM) 003232859

(51) **LOC (11) Cl.** **29-02**
(52) **U.S. Cl.**
USPC **D24/110**

(58) **Field of Classification Search**
USPC D24/107, 108, 110, 110.1–110.5, 127, D24/164; D29/108; 128/200.14, 200.23
CPC A61M 15/0085; A61M 15/0005; A61M 11/005; A61M 11/00; A61M 11/02; A61M 11/04; A61M 5/087; A61M 5/0871; A61M 5/091; A61M 5/097; A61M 15/00; A61M 15/0065; A61M 15/0091; A61M 15/0021; A61M 15/0026; A61M 15/008; A61M 15/007; A63B 23/18

See application file for complete search history.

(57) **CLAIM**

The ornamental design for an inhaler, as shown and described.

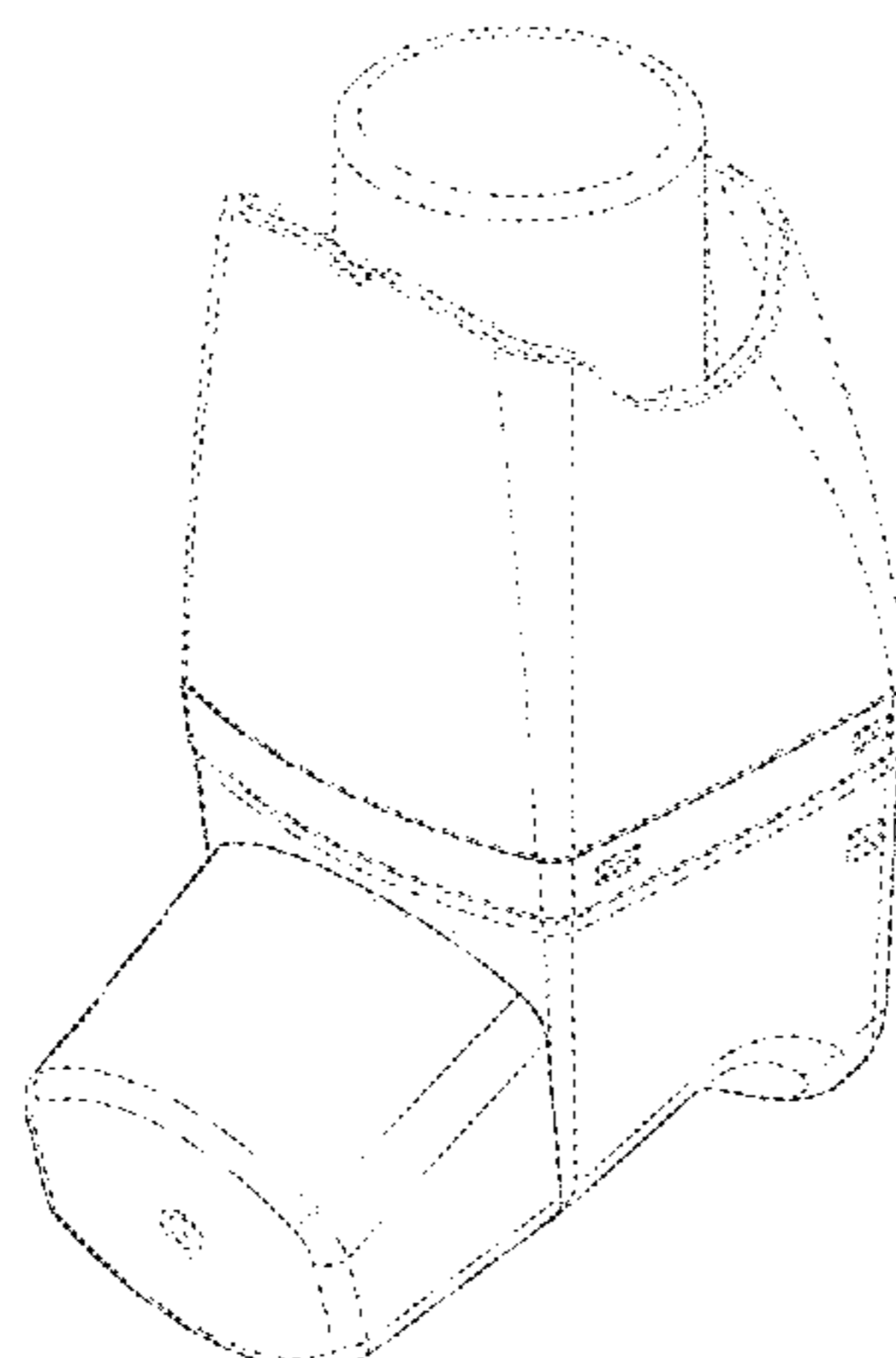
DESCRIPTION

FIG. 1 is a perspective view of an inhaler showing our new design;
FIG. 2 is a front elevational view thereof;
FIG. 3 is a rear elevational view thereof;
FIG. 4 is a top plan view thereof;
FIG. 5 is a bottom plan view thereof;
FIG. 6 is a left side elevational view thereof; and,
FIG. 7 is a right side elevational view thereof.
The broken lines in the drawings depict portions of the inhaler that form no part of the claimed design.

(Continued)

(56) **References Cited**
U.S. PATENT DOCUMENTS

D571,001 S * 6/2008 Warby D24/110
D645,954 S * 9/2011 Hately D24/110
8,434,474 B2 * 5/2013 Hately A61M 15/009
128/200.14



The drawings include CAD lines that indicate contour, not surface decoration.

1 Claim, 7 Drawing Sheets

(56) **References Cited**

U.S. PATENT DOCUMENTS

2008/0283541	A1 *	11/2008	Warby	A61M 15/009 221/4
2010/0282249	A1 *	11/2010	Hately	A61M 15/009 128/200.23
2012/0234317	A1 *	9/2012	Stuart	A61M 15/009 128/200.23
2015/0217066	A1	8/2015	Hately et al.	
2017/0004395	A1 *	1/2017	Smith	G06M 1/04

FOREIGN PATENT DOCUMENTS

EM	000623764-0003	12/2006
EM	000740147-0001	7/2007
EM	000740147-0002	7/2007
EM	000740147-0004	7/2007
EM	000740147-0005	7/2007
EM	000741047-0003	7/2007

* cited by examiner

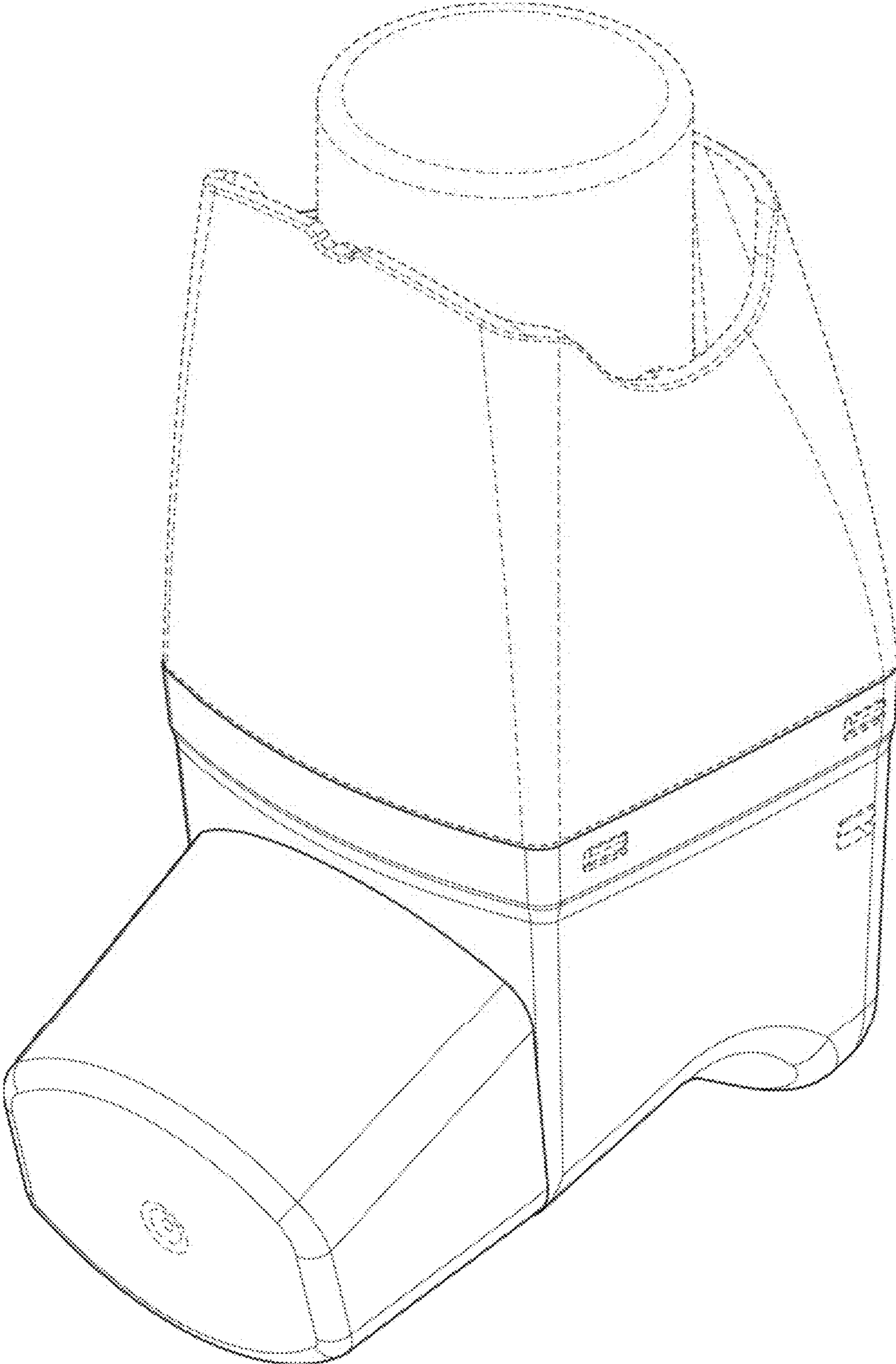


FIG. 1

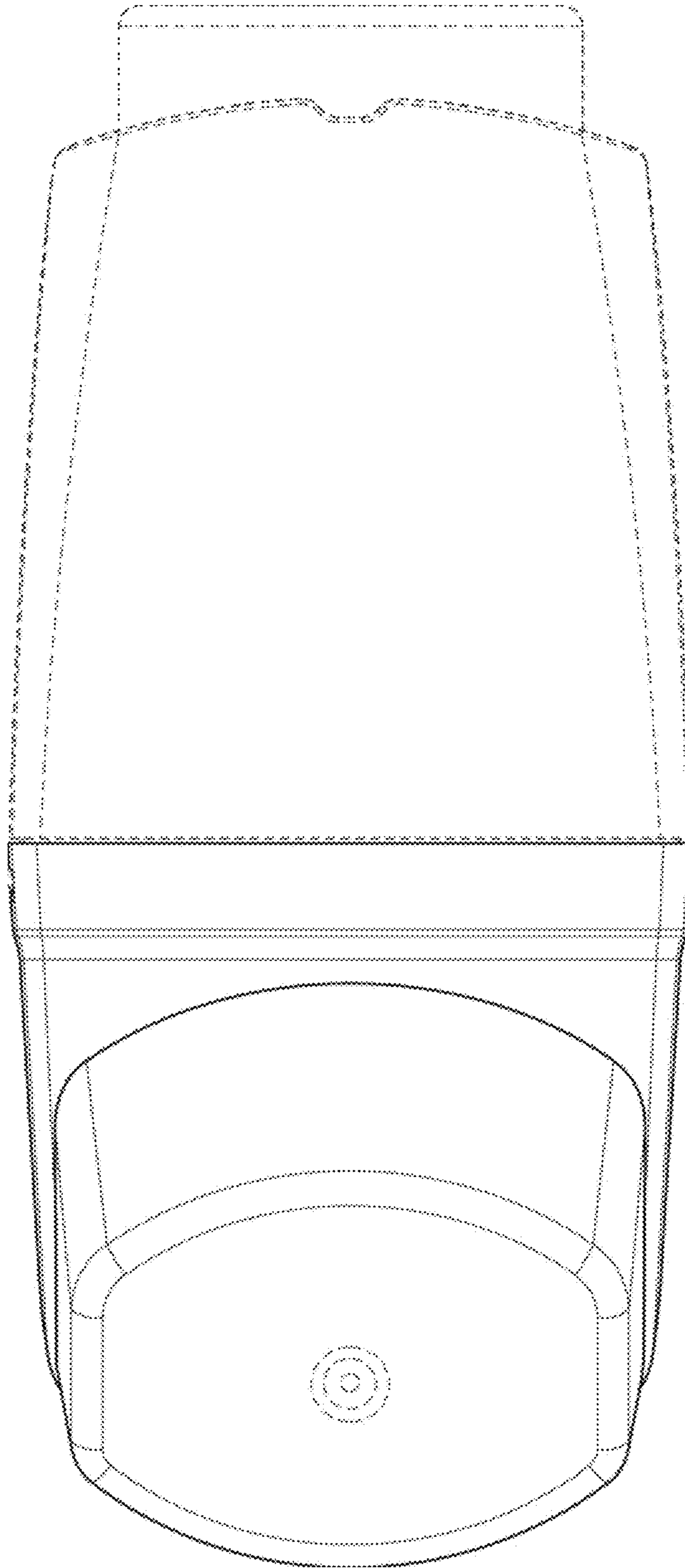


FIG. 2

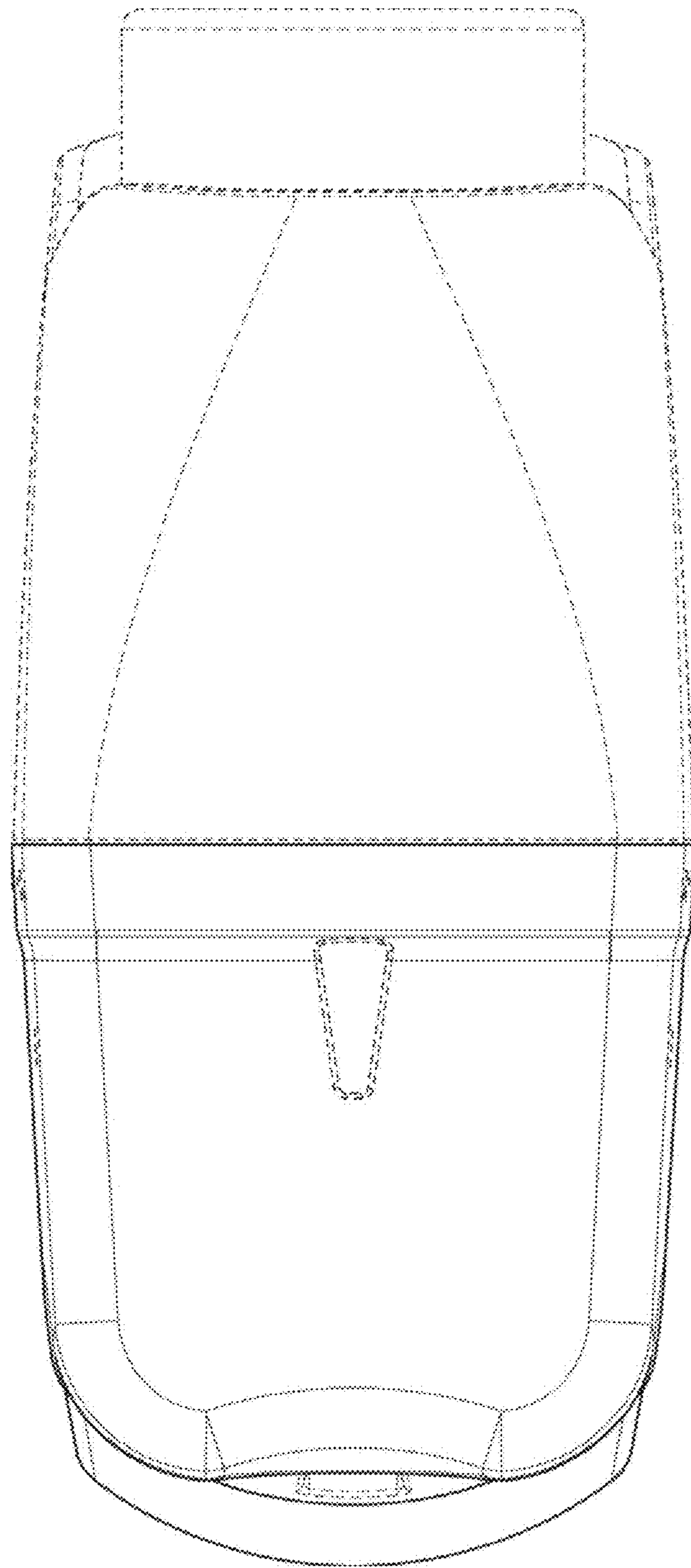


FIG. 3

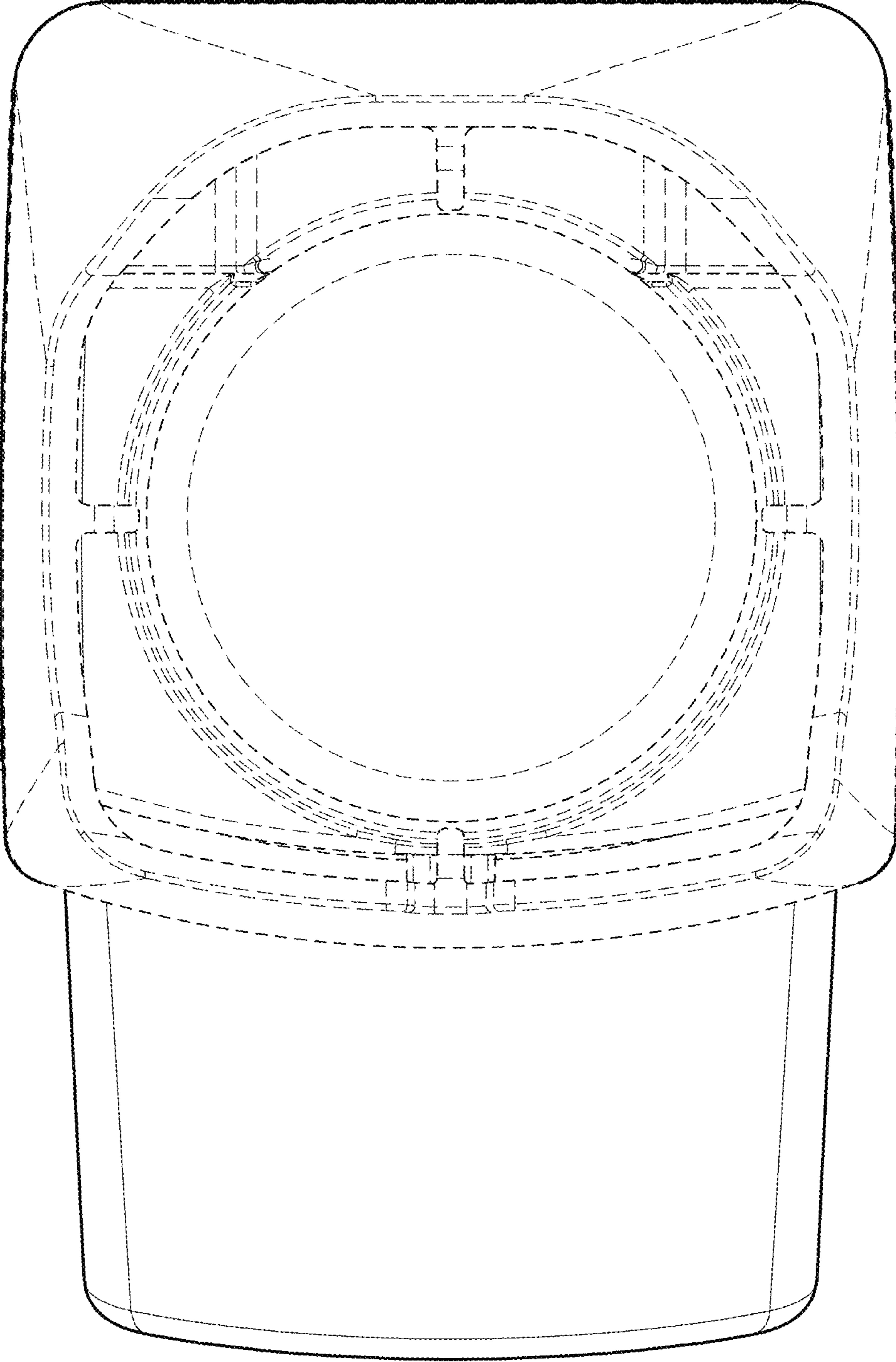


FIG. 4

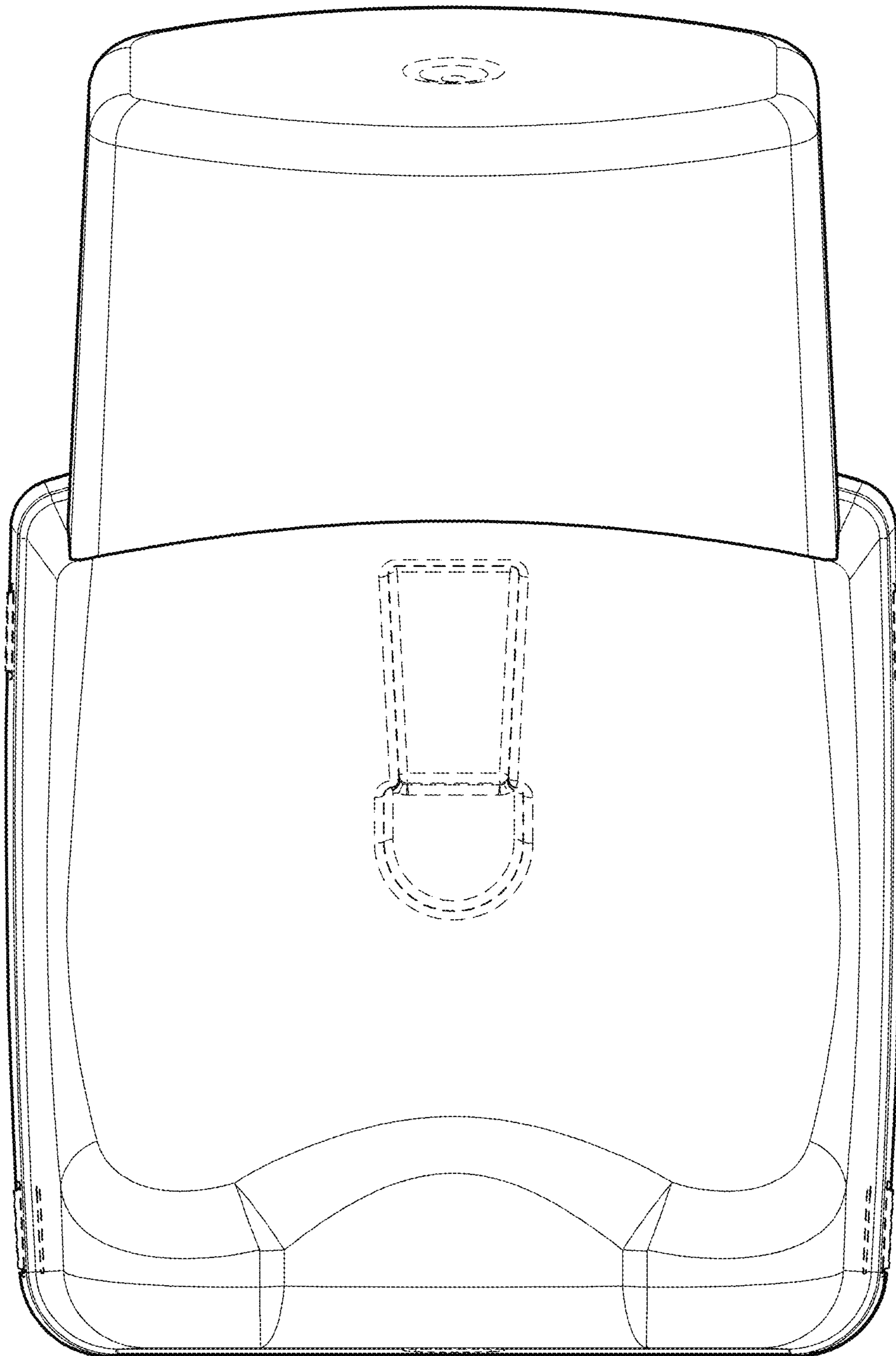


FIG. 5

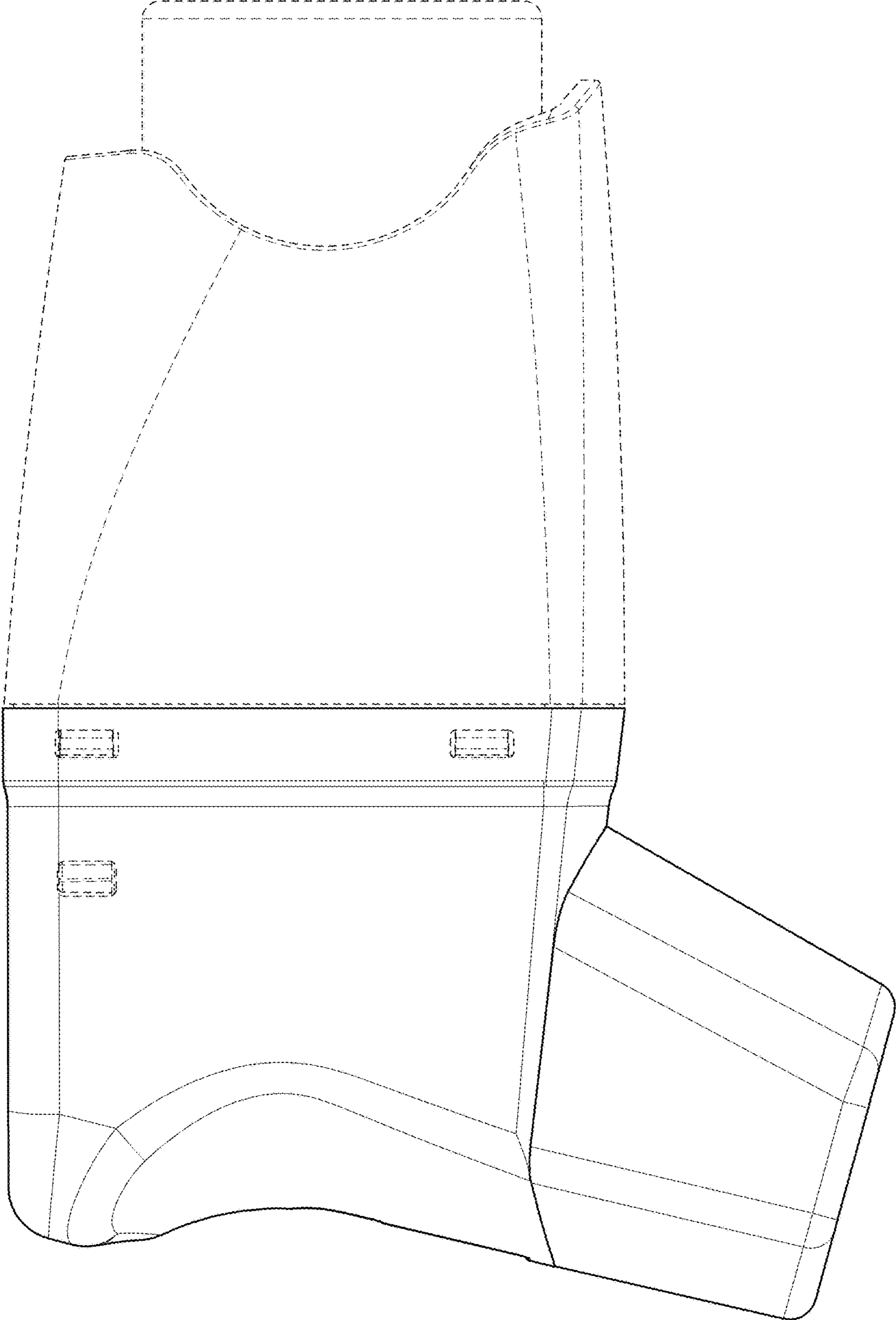


FIG. 6

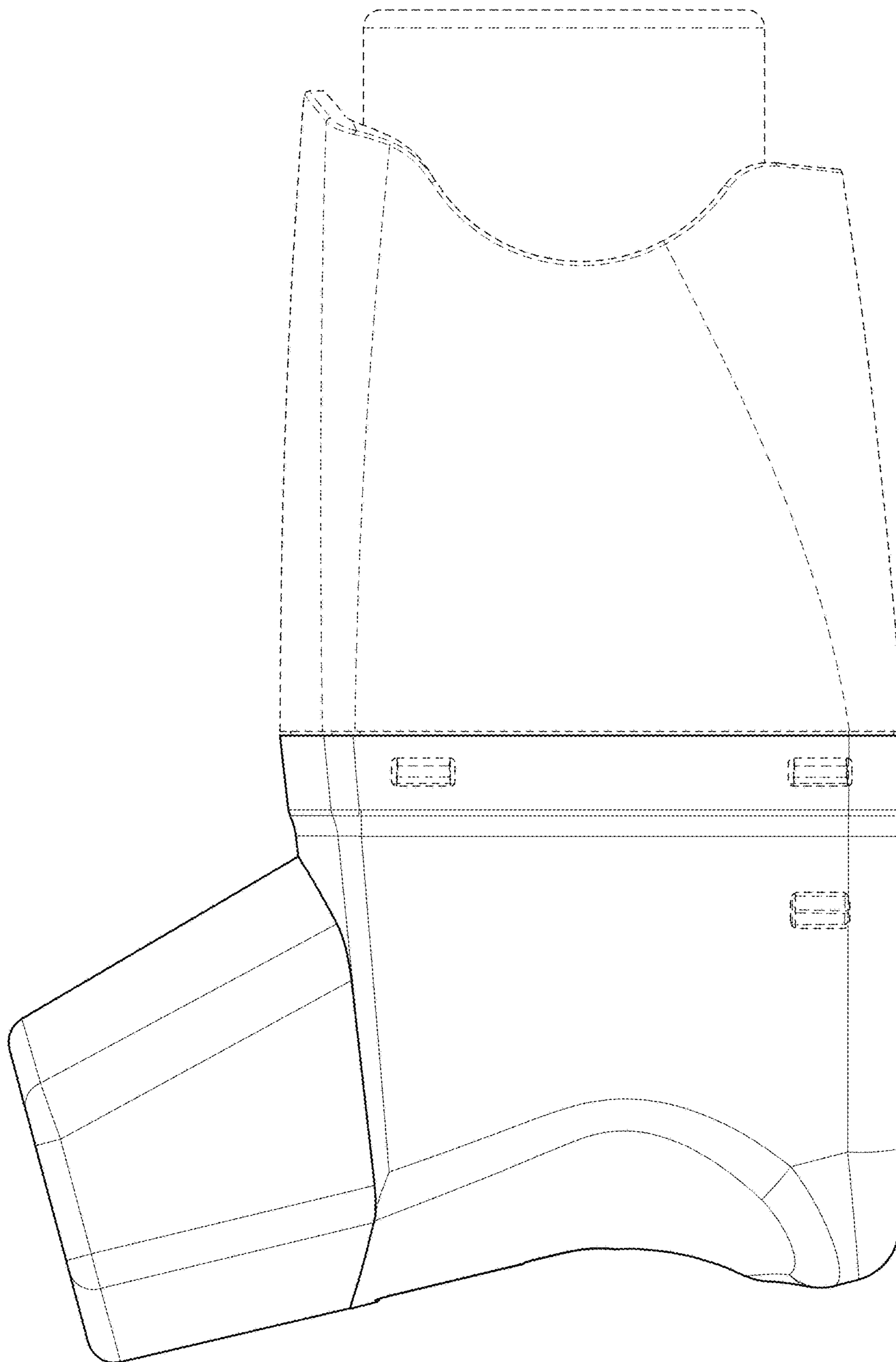


FIG. 7