



US00D824015S

(12) **United States Design Patent** (10) **Patent No.:** **US D824,015 S**  
**Adamo et al.** (45) **Date of Patent:** **\*\* Jul. 24, 2018**

(54) **INHALER**  
(71) Applicant: **MannKind Corporation**, Valencia, CA (US)  
(72) Inventors: **Benoit Adamo**, Mount Kisco, NY (US); **P. Spencer Kinsey**, Sandy Hook, CT (US); **Brendan Laurenzi**, Middlebury, CT (US)  
(73) Assignee: **MannKind Corporation**, Westlake Village, CA (US)  
(\*\*) Term: **15 Years**

D629,887 S \* 12/2010 Adamo ..... D24/110.5  
D629,888 S \* 12/2010 Adamo ..... D24/110.5  
D635,242 S \* 3/2011 Adamo ..... D24/110  
D635,243 S \* 3/2011 Kinsey ..... D24/110  
D636,867 S \* 4/2011 Polidoro ..... D24/110  
D636,868 S \* 4/2011 Kinsey ..... D24/110  
D636,869 S \* 4/2011 Laurenzi ..... D24/110  
D674,893 S \* 1/2013 Kinsey ..... D24/110  
D697,200 S \* 1/2014 Mahaffy ..... D24/110  
D742,503 S \* 11/2015 Mullinger ..... D24/110  
D776,278 S \* 1/2017 Newman ..... D24/164  
9,662,461 B2 \* 5/2017 Smutney  
D797,935 S \* 9/2017 Newman ..... D24/164  
9,802,012 B2 \* 10/2017 Smutney ..... A61M 15/00  
2004/0182387 A1 \* 9/2004 Steiner ..... A61M 15/0028  
128/203.15

(Continued)

(21) Appl. No.: **29/553,303**  
(22) Filed: **Jan. 29, 2016**  
(51) **LOC (11) Cl.** ..... **29-02**  
(52) **U.S. Cl.**  
USPC ..... **D24/110**  
(58) **Field of Classification Search**  
USPC ..... D24/107, 108, 110, 110.5, 164;  
D27/100, 101, 163  
CPC ..... A61M 15/00; A61M 15/0001; A61M  
15/0021; A61M 15/0045; A61M 15/0028;  
A61M 15/0091; A61M 2202/064  
See application file for complete search history.

*Primary Examiner* — Karen E Kearney  
*Assistant Examiner* — Lilyana Bekic  
(74) *Attorney, Agent, or Firm* — K&L Gates LLP; Louis C. Cullman; Brian J. Novak

(57) **CLAIM**

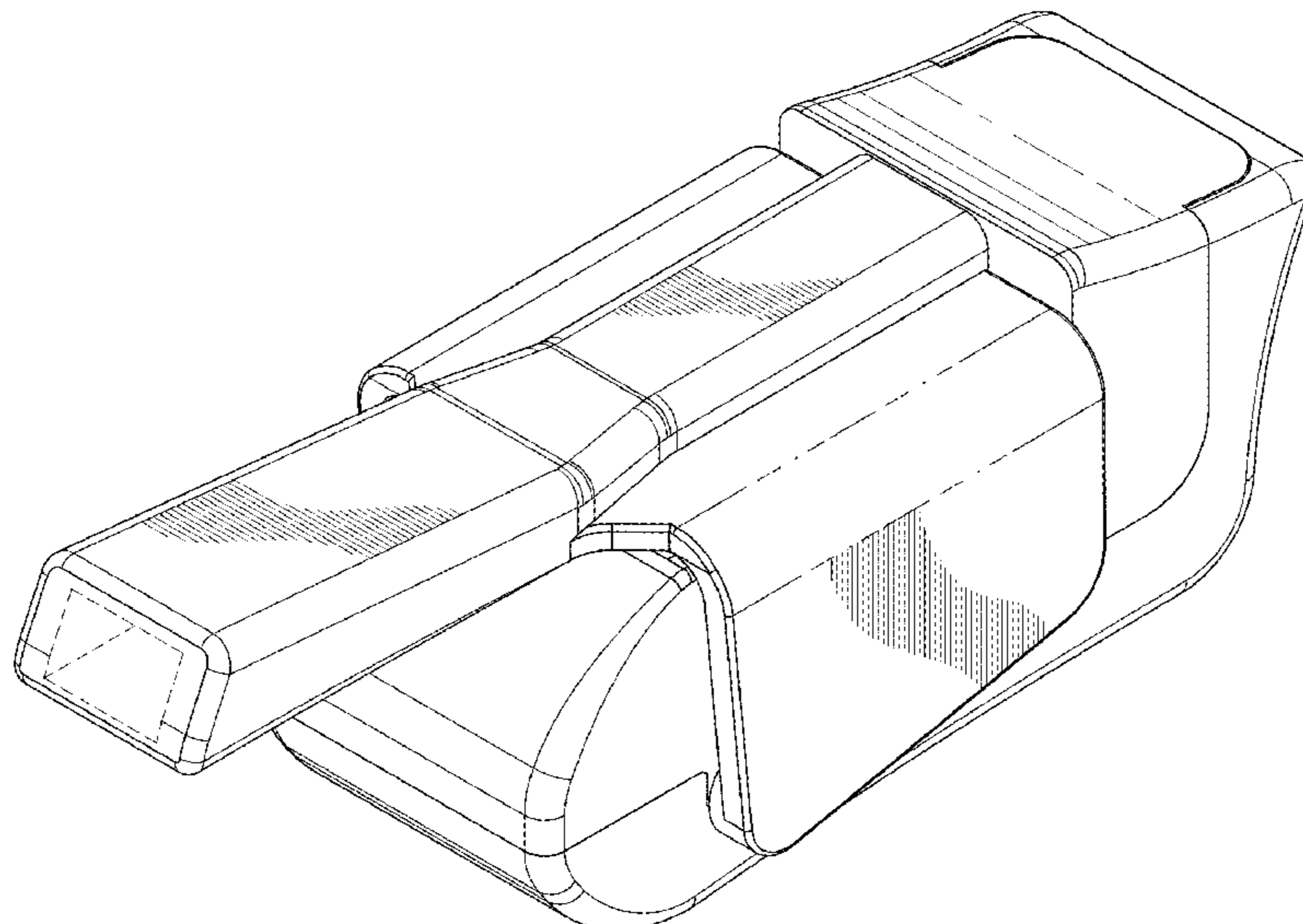
The ornamental design for an inhaler, as shown and described.

**DESCRIPTION**

FIG. 1 is a front perspective view of an inhaler showing our design.  
FIG. 2 is a bottom perspective view of the inhaler of FIG. 1.  
FIG. 3 is a right side view of the inhaler of FIG. 1.  
FIG. 4 is a left side view of the inhaler of FIG. 1.  
FIG. 5 is a front view of the inhaler of FIG. 1.  
FIG. 6 is a rear view of the inhaler of FIG. 1.  
FIG. 7 is a top view of the inhaler of FIG. 1; and,  
FIG. 8 is a bottom view of the inhaler of FIG. 1.  
Broken lines shown in the figures are included for the purpose of illustrating portions of the inhaler and form no part of the claimed design.

(56) **References Cited**  
U.S. PATENT DOCUMENTS  
5,794,613 A \* 8/1998 Piskorski ..... A61M 15/0045  
128/202.17  
6,223,746 B1 \* 5/2001 Jewett ..... A61M 15/0065  
128/200.14  
D597,657 S \* 8/2009 Kinsey ..... D24/110  
D605,752 S \* 12/2009 Polidoro ..... D24/110  
D614,760 S \* 4/2010 Smutney ..... D24/110  
D629,505 S \* 12/2010 Adamo ..... D24/110.5  
D629,506 S \* 12/2010 Adamo ..... D24/110.5  
D629,886 S \* 12/2010 Adamo ..... D24/110.5

**1 Claim, 7 Drawing Sheets**



(56)

**References Cited**

U.S. PATENT DOCUMENTS

2006/0037612 A1\* 2/2006 Herder ..... A61M 15/0065  
128/203.15  
2006/0099269 A1\* 5/2006 Cheatham ..... A61K 9/0075  
424/489  
2009/0241949 A1\* 10/2009 Smutney ..... A61M 15/0028  
128/203.15  
2009/0308390 A1\* 12/2009 Smutney ..... A61M 15/0028  
128/203.15  
2009/0314292 A1\* 12/2009 Overfield ..... A61B 5/087  
128/203.15  
2010/0197565 A1\* 8/2010 Smutney ..... A61M 15/0028  
514/1.1  
2012/0247235 A1\* 10/2012 Adamo ..... A61B 5/08  
73/865.4  
2013/0104887 A1\* 5/2013 Smutney ..... A61M 15/0028  
128/203.15  
2014/0014106 A1\* 1/2014 Smutney ..... A61M 15/00  
128/203.15  
2014/0116426 A1\* 5/2014 Mullinger ..... A61M 11/005  
128/200.14  
2017/0216538 A1\* 8/2017 Kinsey ..... A61M 15/0021  
2018/0001039 A1\* 1/2018 Smutney ..... A61M 15/00

\* cited by examiner

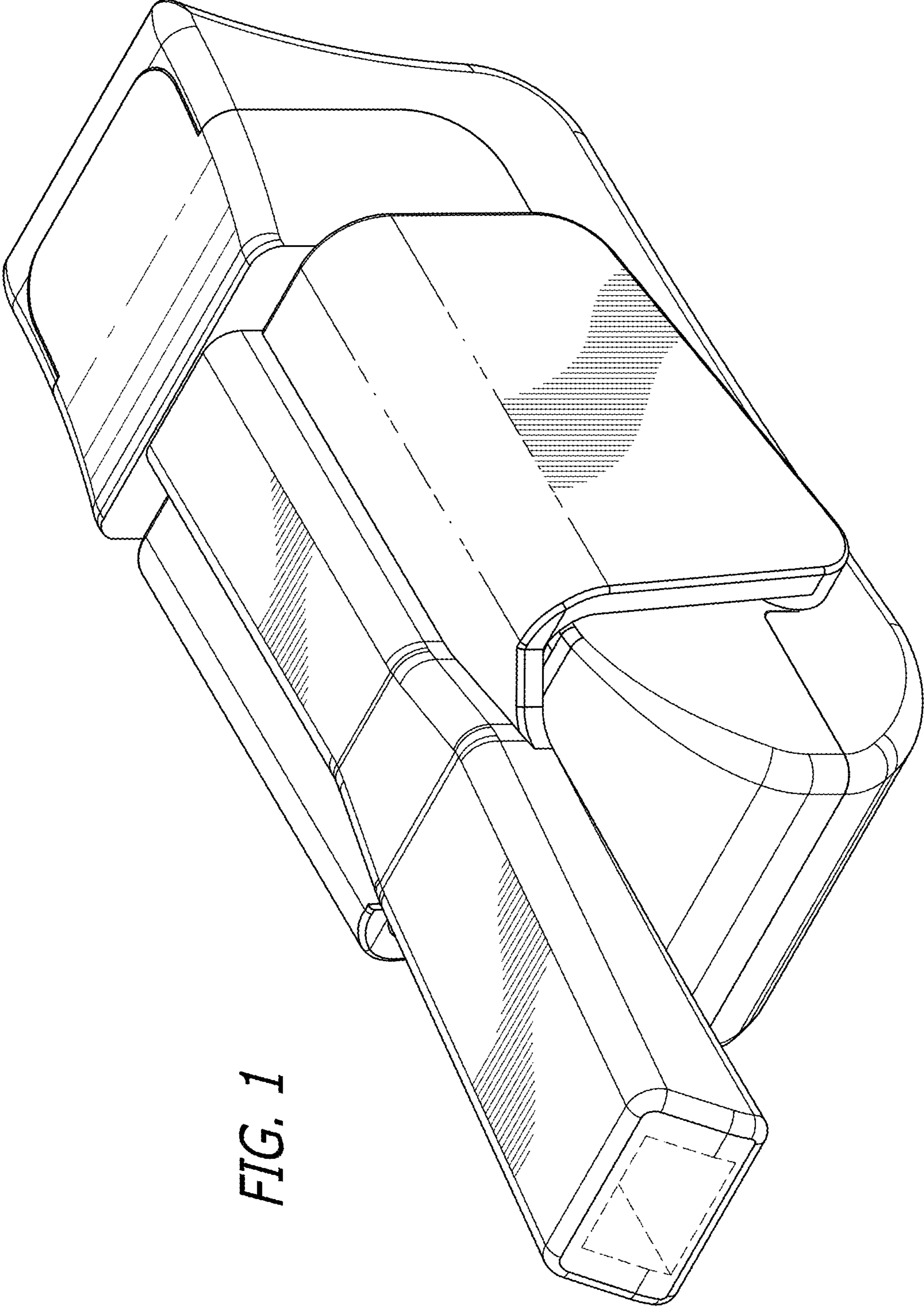
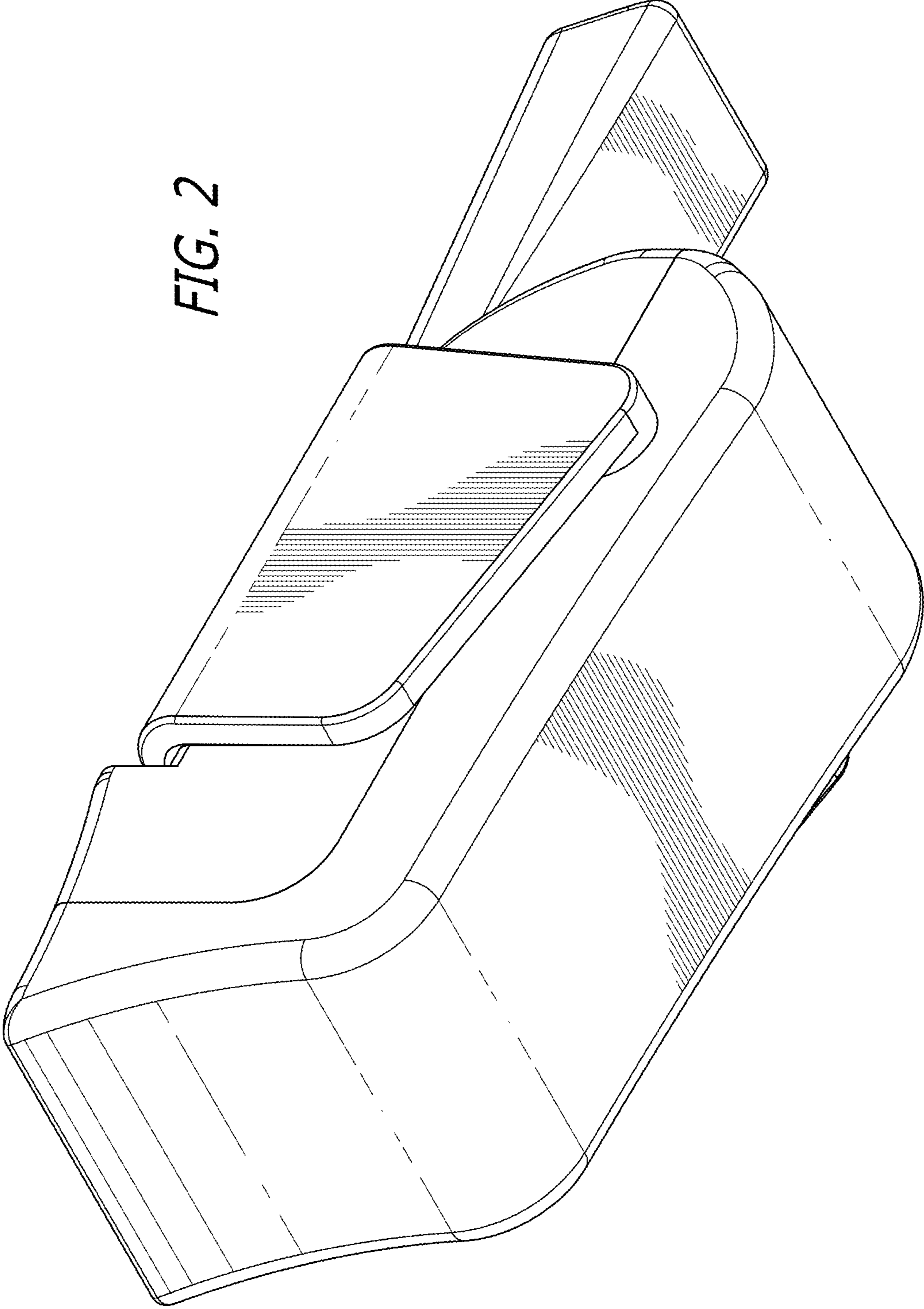


FIG. 1

FIG. 2



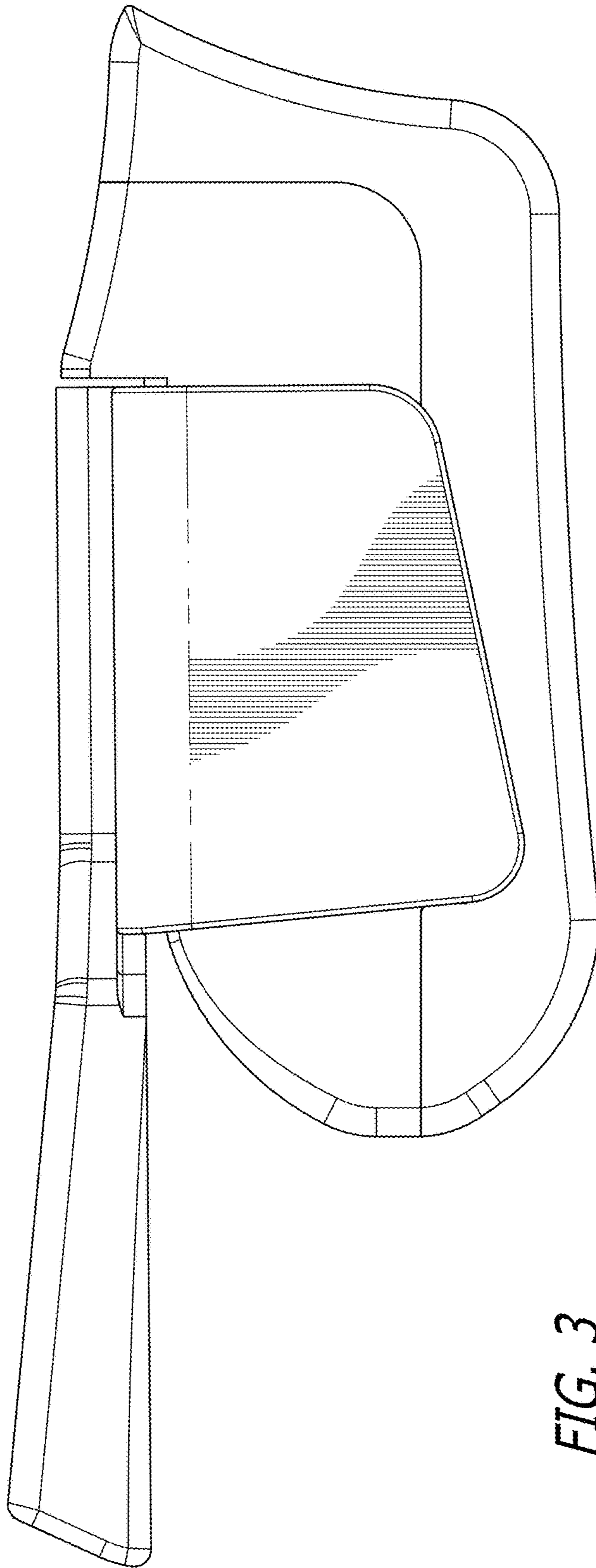
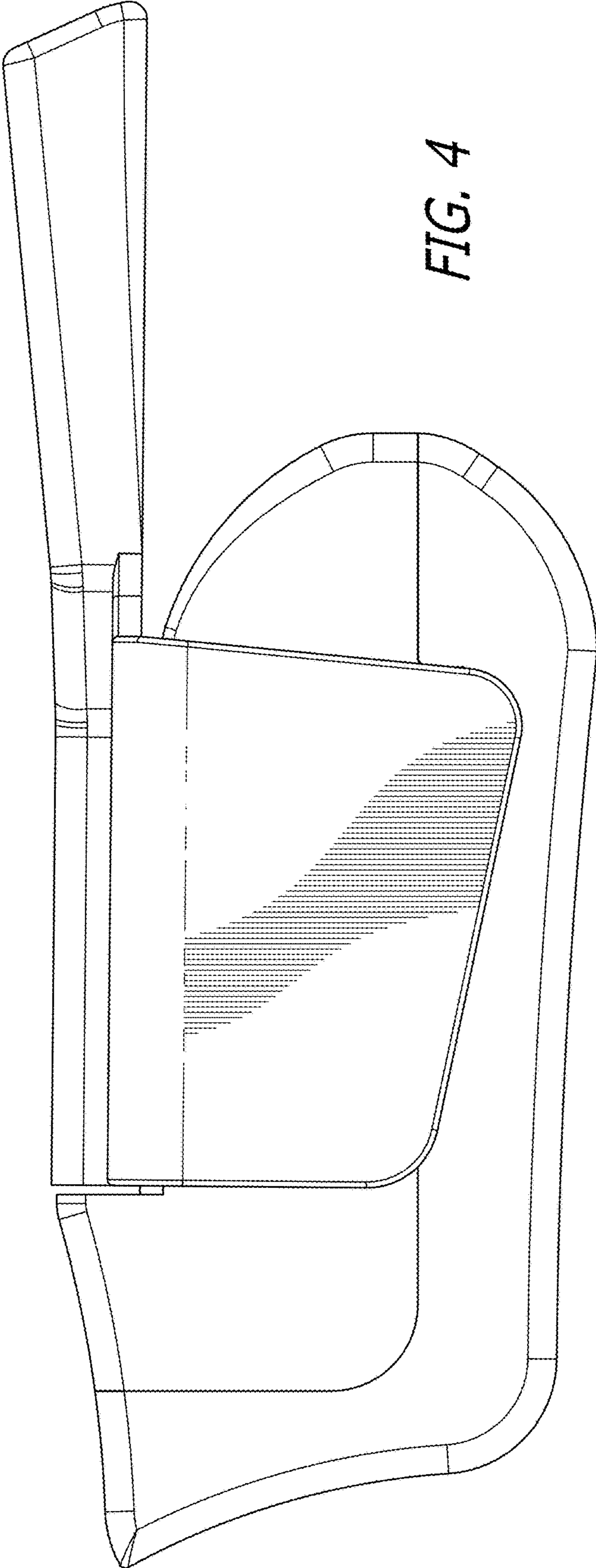
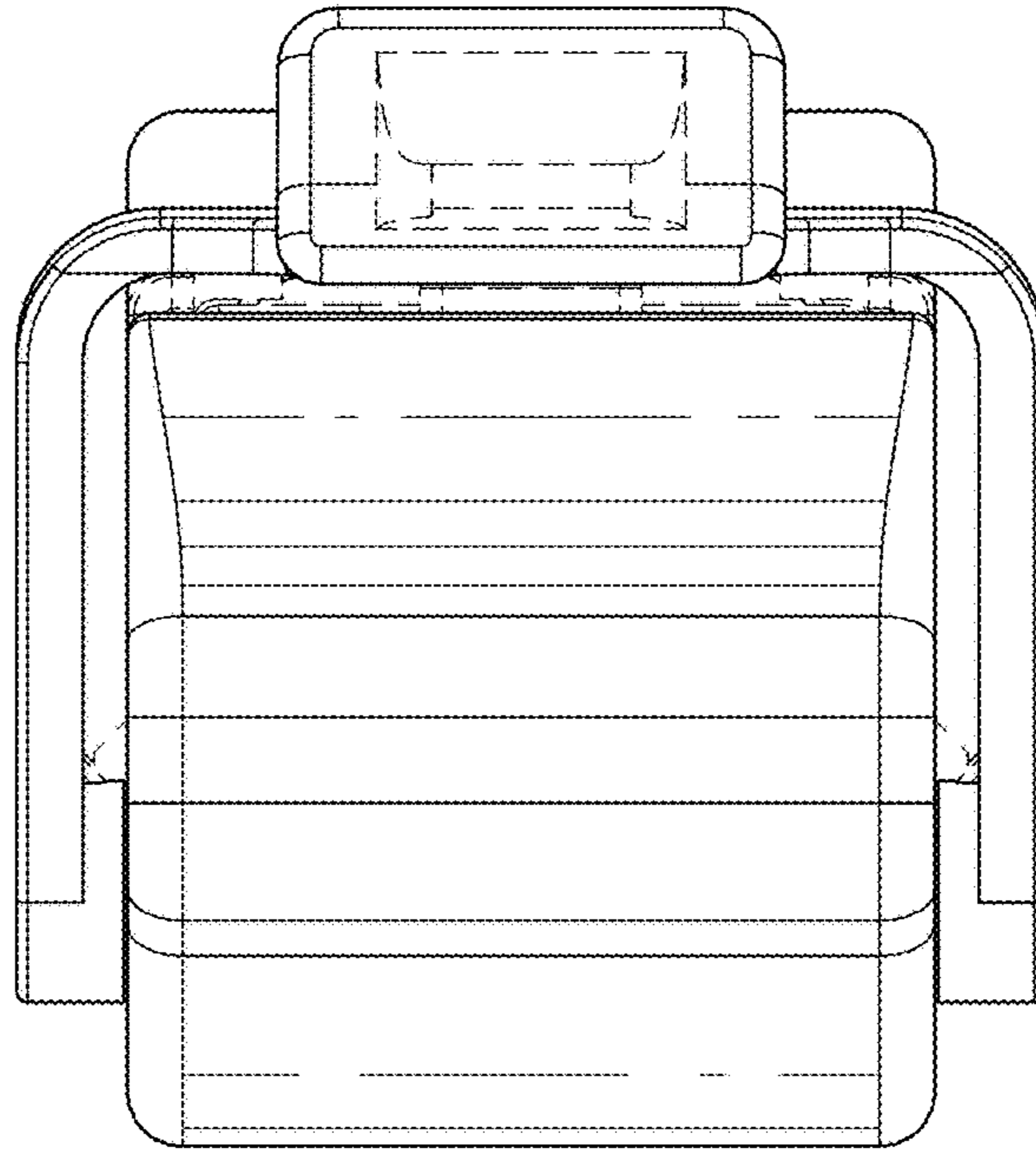


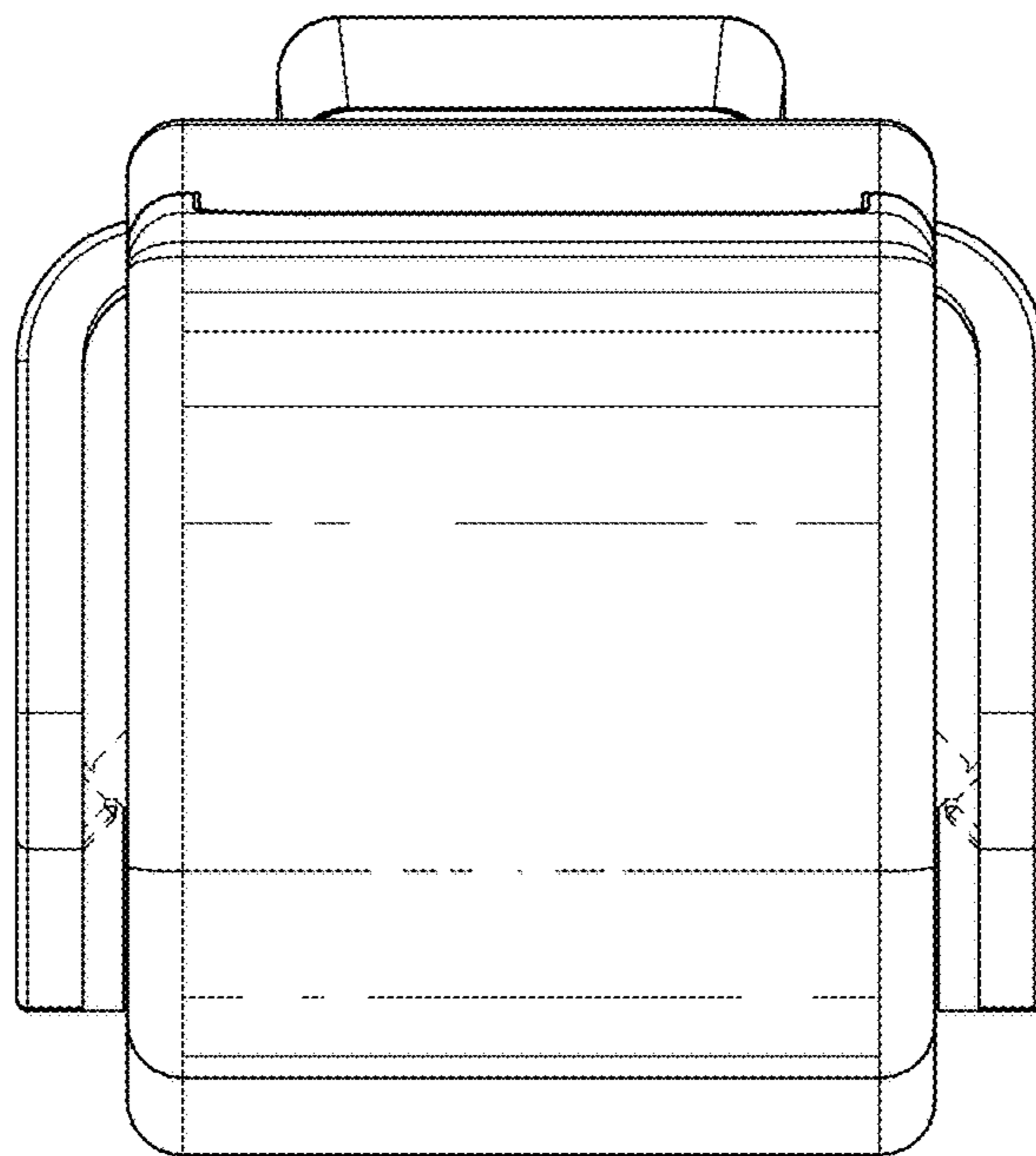
FIG. 3



*FIG. 5*



*FIG. 6*



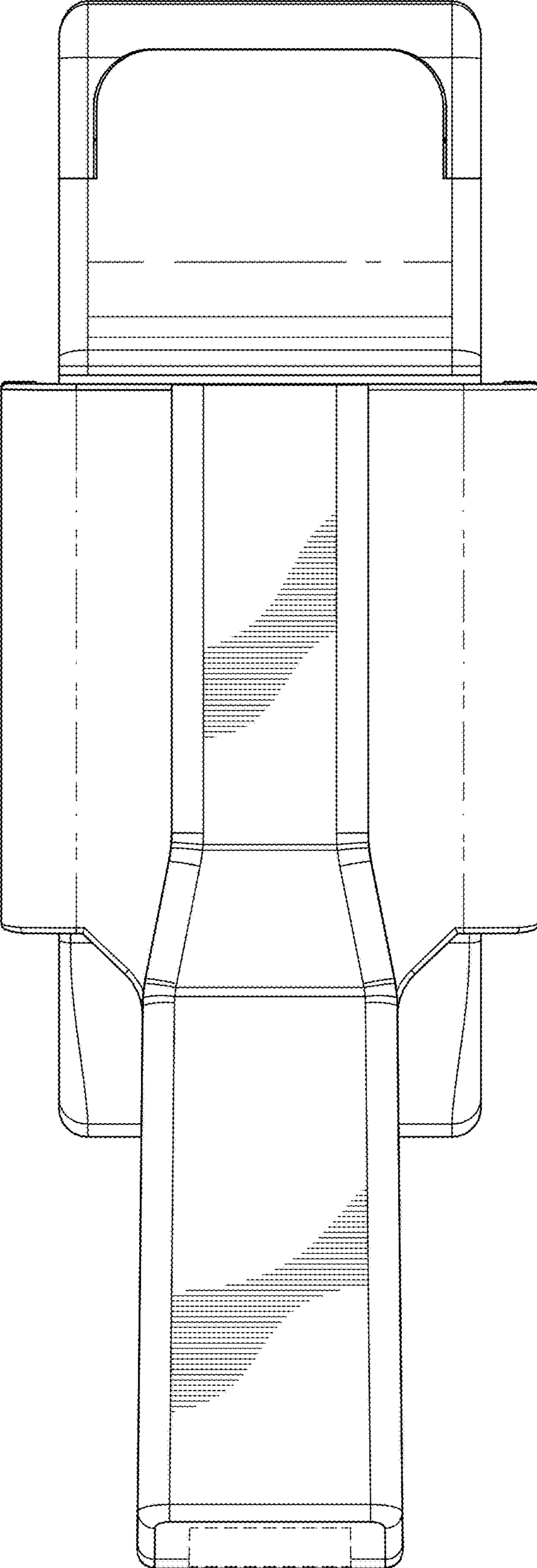


FIG. 7



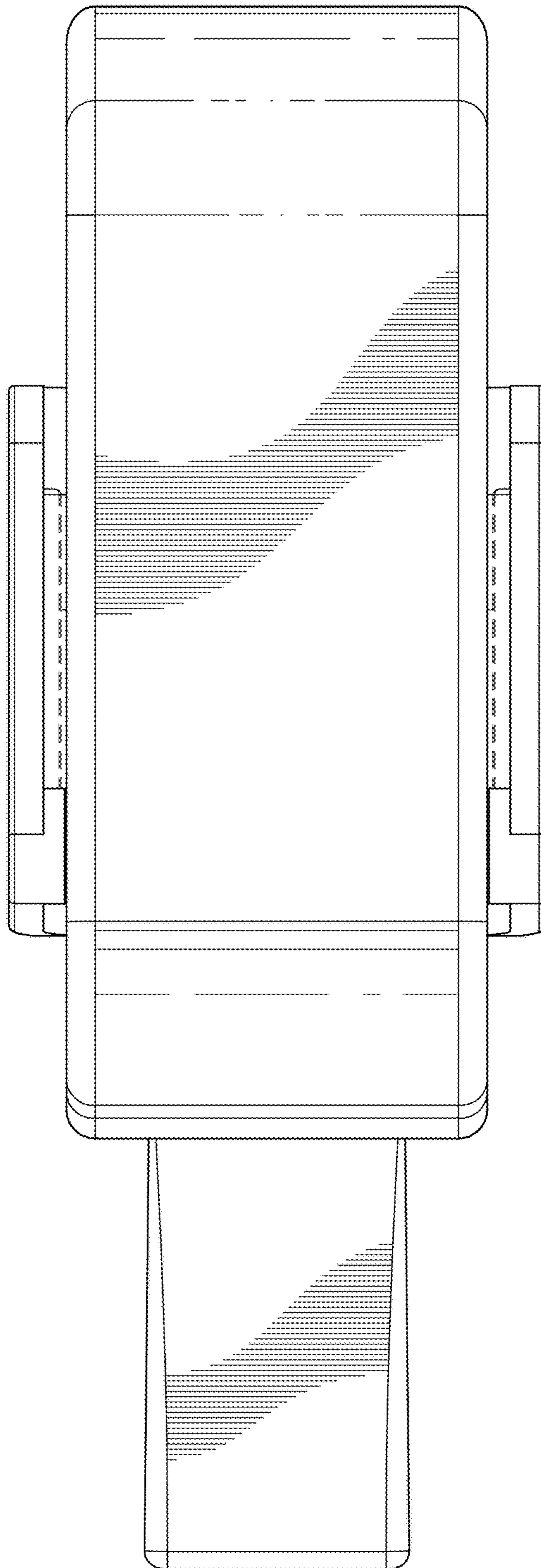


FIG. 8