



US00D824013S

(12) **United States Design Patent**
Hu

(10) **Patent No.:** **US D824,013 S**
(45) **Date of Patent:** **** Jul. 24, 2018**

- (54) **VENTILATION DEVICE**
- (71) Applicant: **Zmodo Technology Shenzhen Corp. Ltd**, Shenzhen, Guangdong (CN)
- (72) Inventor: **Bin Hu**, Guangdong (CN)
- (73) Assignee: **ZMODO TECHNOLOGY SHENZHEN CORP. LTD**, Shenzhen, Guangdong (CN)
- (**) Term: **15 Years**
- (21) Appl. No.: **29/587,637**
- (22) Filed: **Dec. 14, 2016**
- (51) **LOC (11) Cl.** **23-03**
- (52) **U.S. Cl.**
USPC **D23/392; D23/370**
- (58) **Field of Classification Search**
USPC 236/49.3; D23/370–372, 385, 386–397
See application file for complete search history.

(56) **References Cited**

U.S. PATENT DOCUMENTS

- 2,222,081 A * 11/1940 Leigh B25B 13/12
29/896.6
- 2,366,224 A * 1/1945 Warp E06L 37/08
160/371
- 2,949,842 A * 8/1960 Crandall B60H 1/267
454/133
- D362,059 S * 9/1995 Wojcik D23/388
- 5,525,145 A * 6/1996 Hodge B01D 46/001
96/17
- 6,338,677 B1 * 1/2002 White F24F 11/0001
454/256
- D461,235 S * 8/2002 Arlotta D23/393
- 6,692,349 B1 * 2/2004 Brinkerhoff F24F 7/00
454/256
- 7,178,291 B2 * 2/2007 Vasquez E06B 7/096
49/74.1
- D584,393 S * 1/2009 Miyake D23/370

- 7,656,664 B2 * 2/2010 Ye H05K 7/20154
361/691
- D613,393 S * 4/2010 Dorsey D23/397
- 8,020,777 B2 * 9/2011 Kates F24D 19/1084
165/208
- 8,249,731 B2 * 8/2012 Tran A61B 5/002
222/23
- 8,413,453 B2 * 4/2013 Ma G05D 7/0635
236/46 C

(Continued)

OTHER PUBLICATIONS

Zmodo the perfect temperature in every room, posted date unknown, amodo.com, site visited Feb. 9, 2018, <http://www.zmodo.com/skin/frontend/default/zmodo_v4/images/CES/pdf/Smart%20Vents%20&%20Thermostat.pdf>.*

(Continued)

Primary Examiner — Cathron C Brooks
Assistant Examiner — Sharon S Oum
(74) *Attorney, Agent, or Firm* — Ladas & Parry LLP

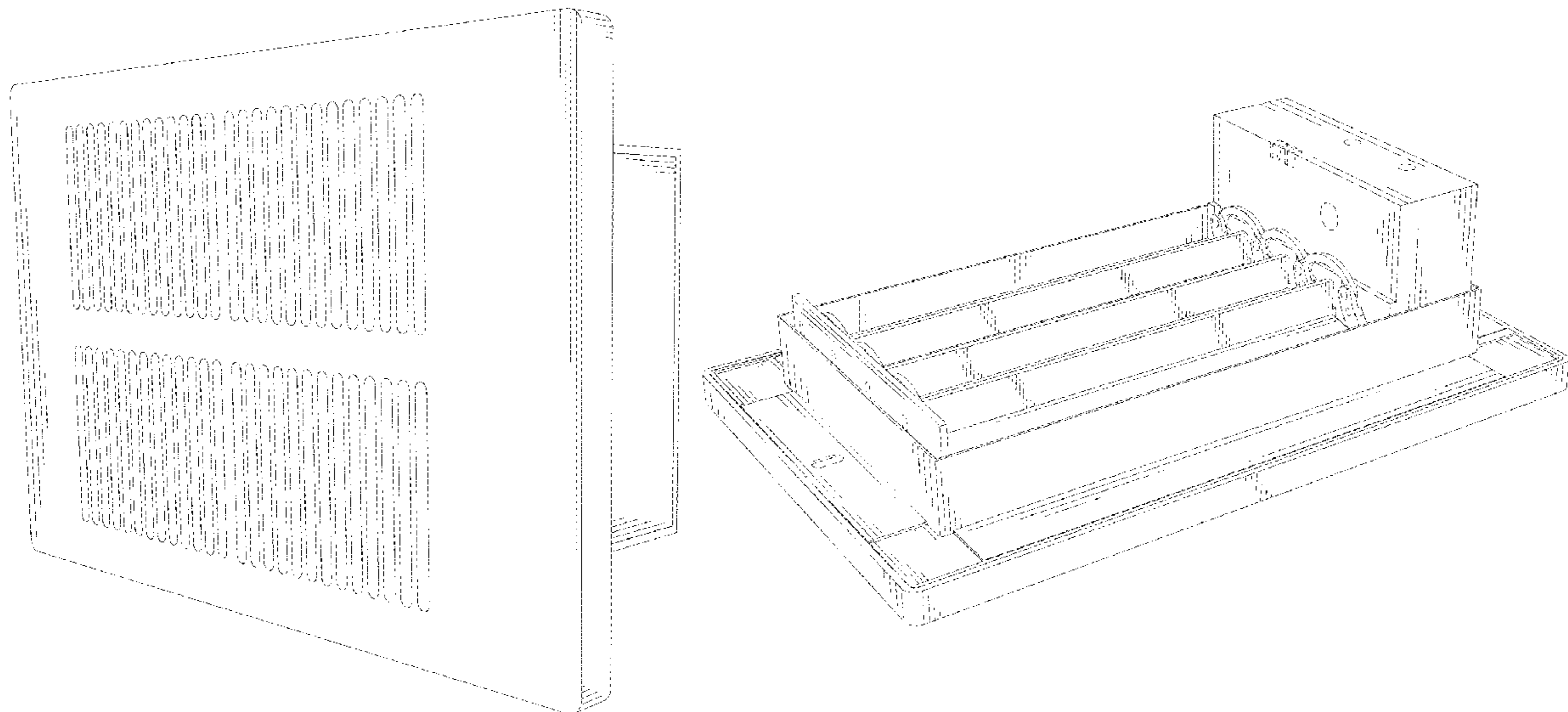
(57) **CLAIM**

The ornamental design for a ventilation device, as shown and described.

DESCRIPTION

FIG. 1 is a front elevational view of a ventilation device showing my new design;
FIG. 2 is a rear elevational view thereof;
FIG. 3 is a left side elevational view thereof;
FIG. 4 is a right side elevational view thereof;
FIG. 5 is a top plan view thereof;
FIG. 6 is a bottom plan view thereof;
FIG. 7 is a perspective view thereof; and,
FIG. 8 is another perspective view thereof.
The broken lines illustrate portions of the ventilation device that form no part of the claimed design.

1 Claim, 7 Drawing Sheets



(56)

References Cited

U.S. PATENT DOCUMENTS

8,979,622 B2 * 3/2015 Casey F24F 13/15
454/319
9,316,407 B2 * 4/2016 Kates F24F 11/0012
9,618,222 B1 * 4/2017 Hussain F24F 11/0009
D804,644 S * 12/2017 Krob, Jr. D23/397
2008/0041969 A1 * 2/2008 Nathan F24F 13/06
236/49.3
2009/0065595 A1 * 3/2009 Kates F24F 3/0442
236/49.3
2010/0012737 A1 * 1/2010 Kates F24F 11/0012
236/49.3
2010/0163633 A1 * 7/2010 Barrett B60H 1/00871
236/49.3
2011/0198404 A1 * 8/2011 Dropmann F24F 11/0034
236/49.3
2015/0204561 A1 * 7/2015 Sadwick F24F 11/006
236/1 C
2016/0040899 A1 * 2/2016 Lee F24F 11/001
165/212
2016/0178228 A1 * 6/2016 Shahabdeen F24F 11/0012
236/49.3

OTHER PUBLICATIONS

Keen Home Smart Vent Review, review date Feb. 17, 2016,
cnet.com, site visited Feb. 9, 2018, <<https://www.cnet.com/products/keen-home-smart-vent/2/>>.*

* cited by examiner

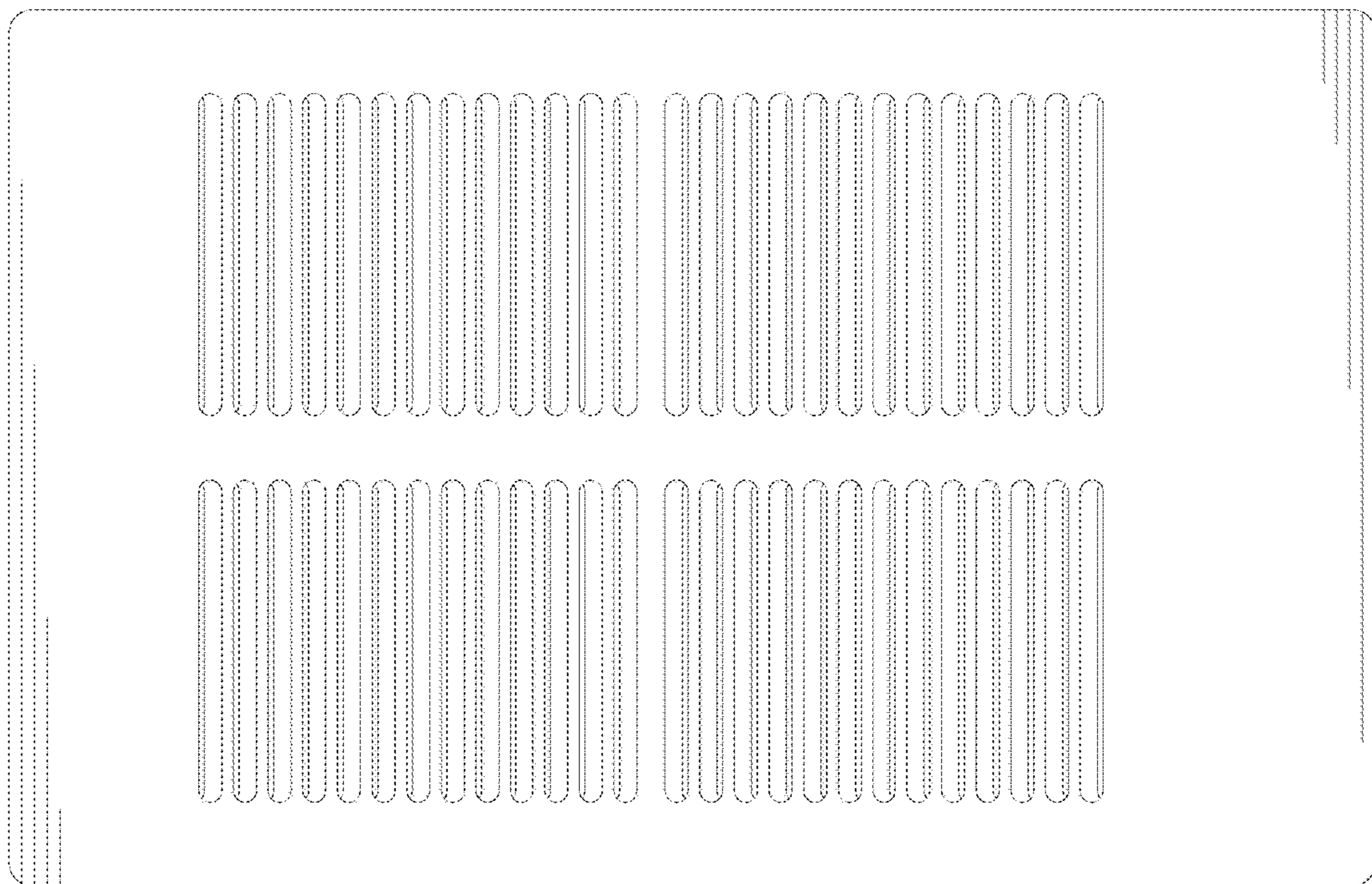


FIG. 1

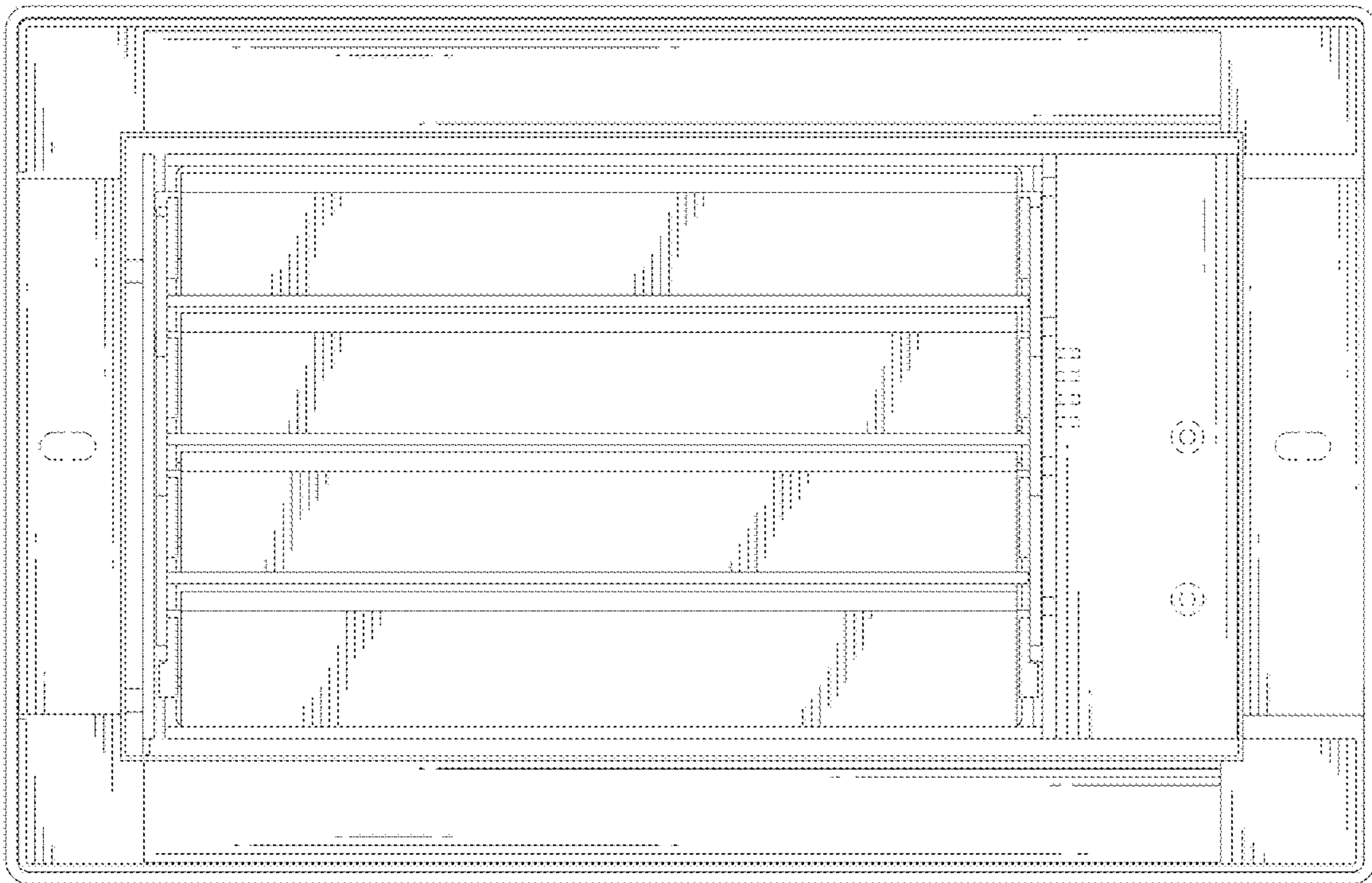


FIG. 2

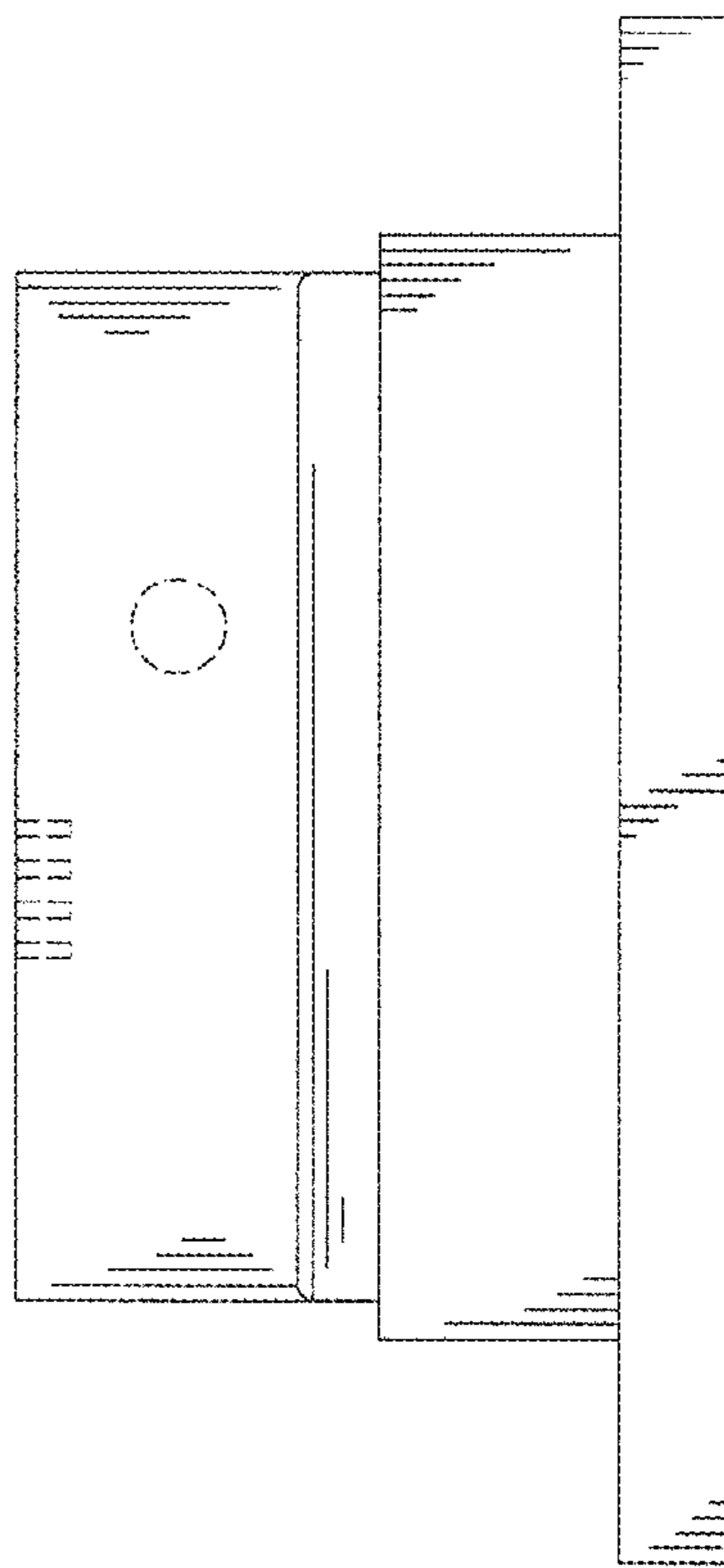


FIG. 3

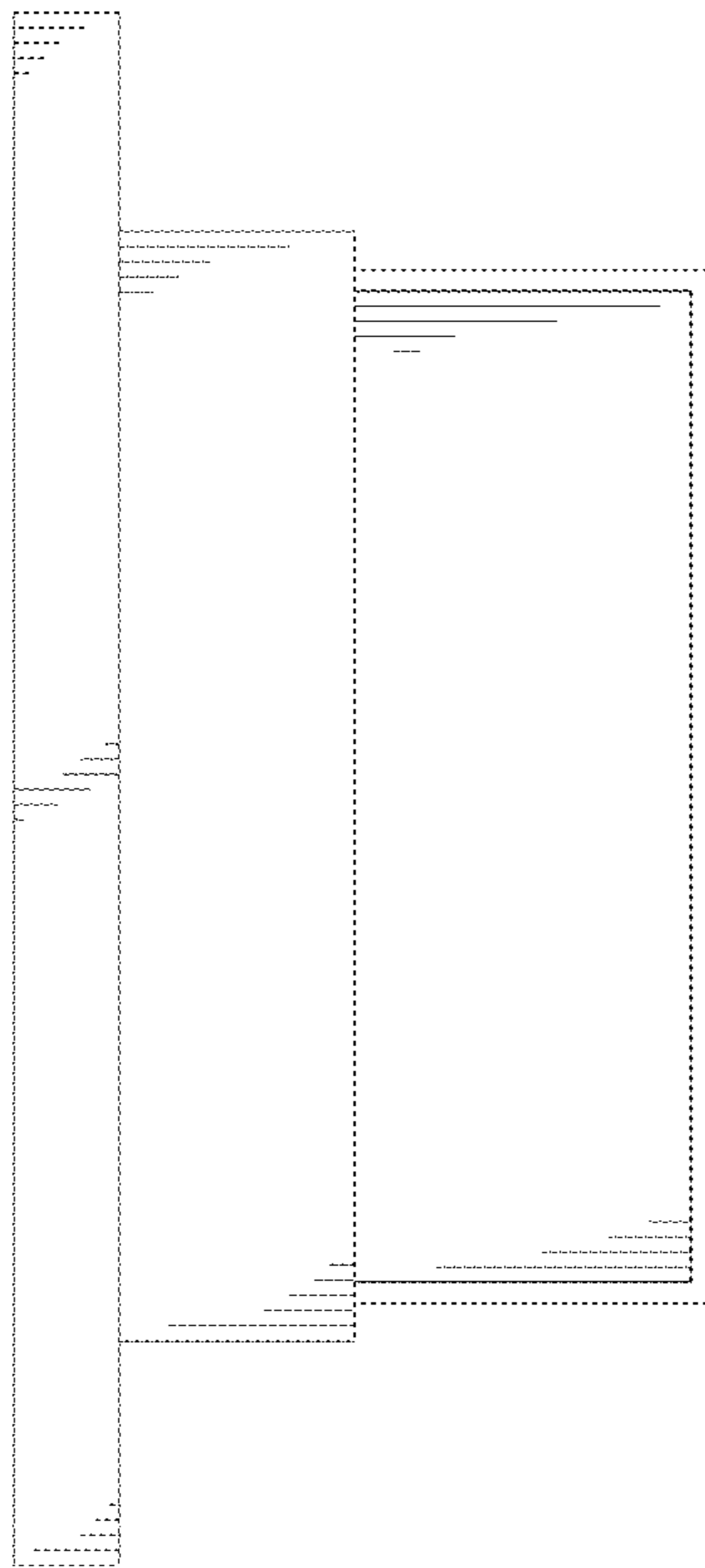


FIG. 4

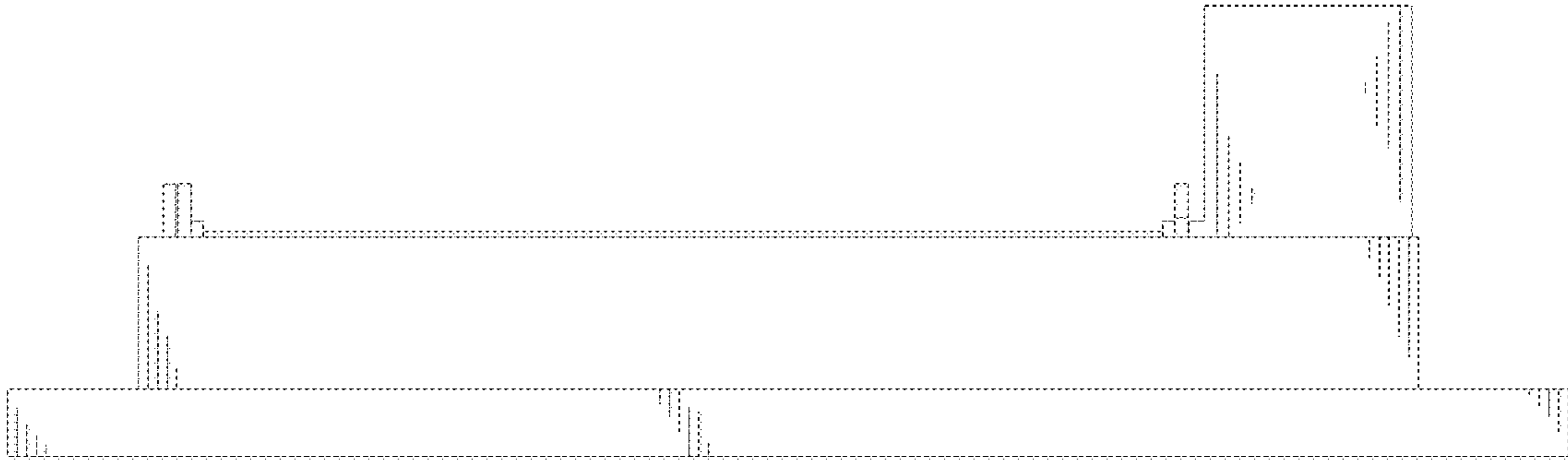


FIG. 5



FIG. 6

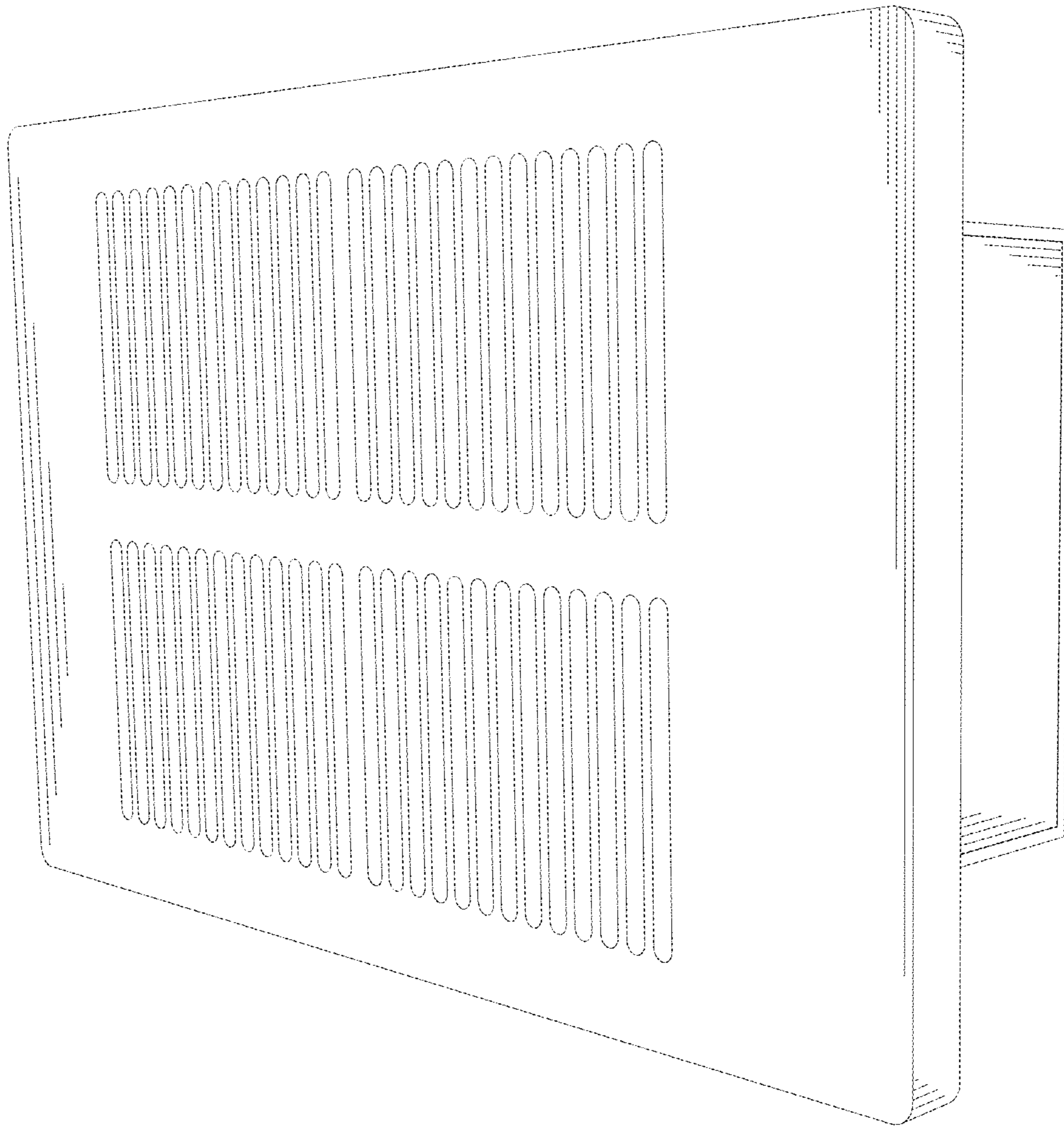


FIG. 7

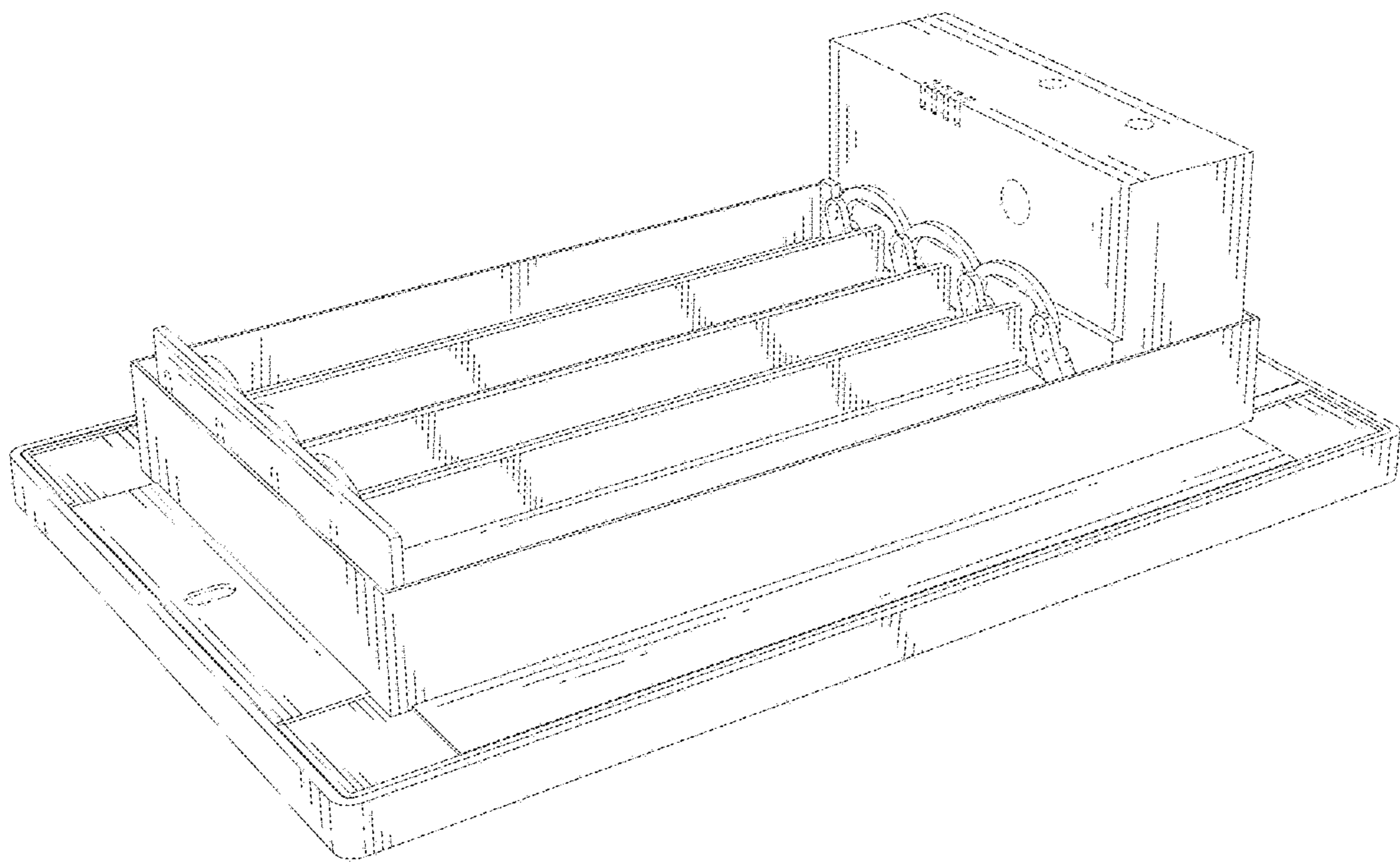


FIG. 8