



US00D824012S

(12) **United States Design Patent**
Xu

(10) **Patent No.:** **US D824,012 S**
(45) **Date of Patent:** **** Jul. 24, 2018**

(54) **FAN WITH MIRROR**

(71) Applicant: **ShenZhen TopSharp Precision Electronics Co., Ltd., Shenzhen (CN)**

(72) Inventor: **Wenlong Xu, Shenzhen (CN)**

(73) Assignee: **SHENZHEN TOPSHARP PRECISION ELECTRONICS CO., LTD., Shenzhen (CN)**

(**) Term: **15 Years**

(21) Appl. No.: **29/635,103**

(22) Filed: **Jan. 27, 2018**

(30) **Foreign Application Priority Data**

Nov. 3, 2017 (CN) 2017 3 05385503

(51) **LOC (11) Cl.** **23-04**

(52) **U.S. Cl.**
USPC **D23/382**; D7/392.1; D7/396.2; D6/309

(58) **Field of Classification Search**
USPC D23/370-379, 381-385, 411-414, 360, D23/314, 335, 328, 332
CPC . F04D 5/00; F04D 27/00; F04D 25/10; F04D 29/64; F04D 19/00; F24H 3/04; B65D 71/00

See application file for complete search history.

(56) **References Cited**

U.S. PATENT DOCUMENTS

D338,262 S	*	8/1993	Oliphant	D23/328
D338,714 S	*	8/1993	Oliphant	D23/328
D387,153 S	*	12/1997	Fok	D23/332
D387,422 S	*	12/1997	Radtke	D23/328
D434,840 S	*	12/2000	Schaefer	D23/328
D440,288 S	*	4/2001	Schaefer	D23/328
D443,053 S	*	5/2001	Schaefer	D23/328
D464,420 S		10/2002	Tolar		

D510,994 S	*	10/2005	Indio Da Costa	D23/382
D564,084 S	*	3/2008	Chen	D23/382
D674,476 S		1/2013	Junkel		
D698,428 S	*	1/2014	Sands	D23/314
D721,431 S	*	1/2015	Herbst	D23/382
D738,118 S		9/2015	Gyanendra et al.		
D758,790 S	*	6/2016	Boroski	D7/392.1
D785,402 S	*	5/2017	Shirley	D7/392.1
D801,060 S	*	10/2017	Hollinger	D6/309
D807,487 S	*	1/2018	Delerue	D23/370
2011/0303562 A1	*	12/2011	Franklin	A45C 11/005 206/223
2016/0356279 A1	*	12/2016	Xu	F04D 25/084

* cited by examiner

Primary Examiner — Janice C Hallmark

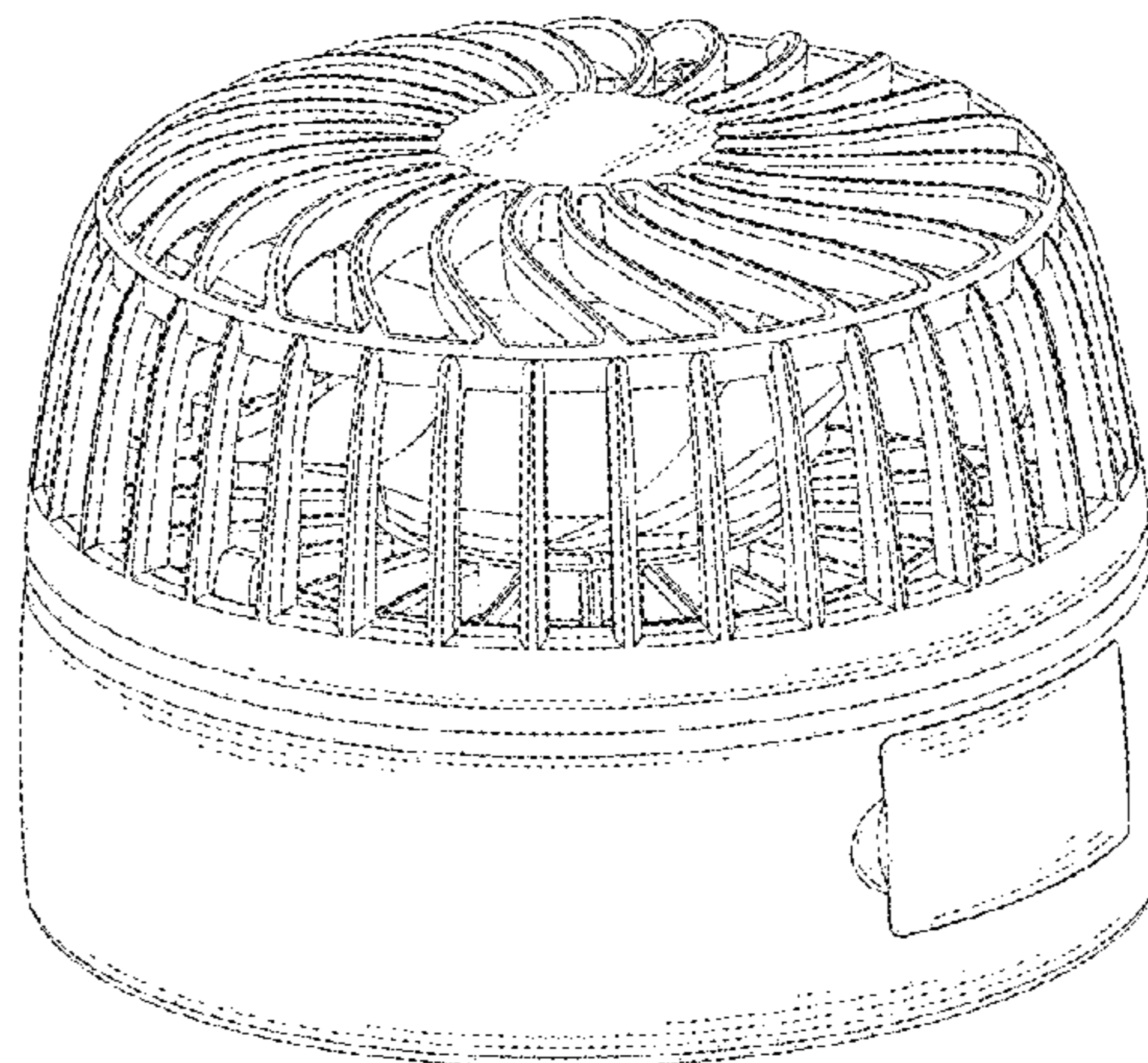
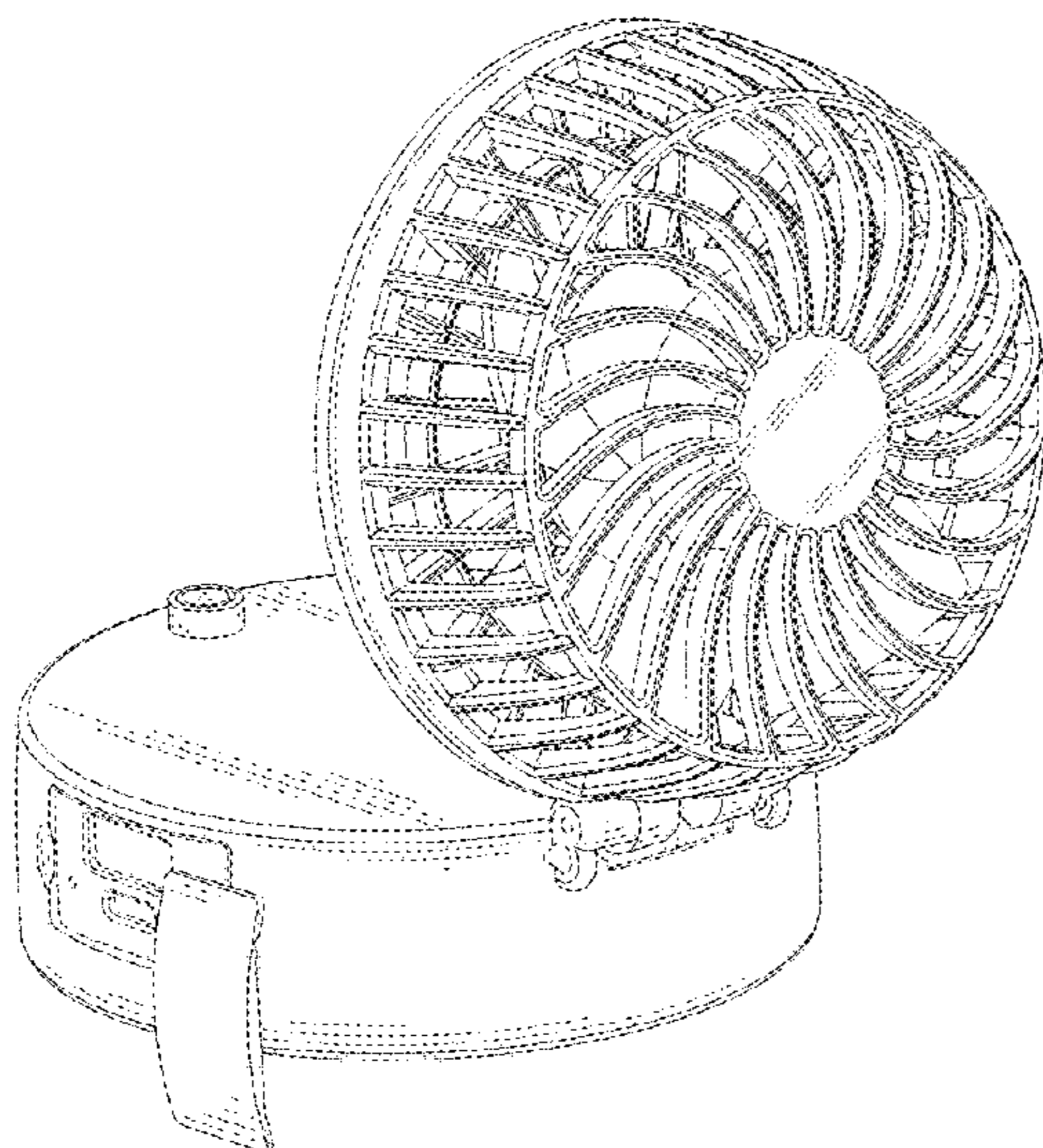
(57) **CLAIM**

The ornamental design for a fan with mirror, as shown and described.

DESCRIPTION

FIG. 1 is a front perspective view of the fan with mirror showing my new design;
 FIG. 2 is a rear perspective view thereof;
 FIG. 3 is a front elevational view thereof;
 FIG. 4 is a rear elevational view thereof;
 FIG. 5 is a left side elevational view thereof;
 FIG. 6 is a right side elevational view thereof;
 FIG. 7 is a top plan view thereof;
 FIG. 8 is a bottom plan view thereof;
 FIG. 9 is a perspective view of the fan with mirror shown in a second state for clarity of disclosure;
 FIG. 10 is a perspective view of the fan with mirror shown in a third state for clarity of disclosure; and,
 FIG. 11 is a perspective view of the fan with mirror shown in a fourth state for clarity of disclosure.
 The broken lines are for the purposes of illustrating portions of the fan with mirror and form no part of the claimed design.

1 Claim, 11 Drawing Sheets



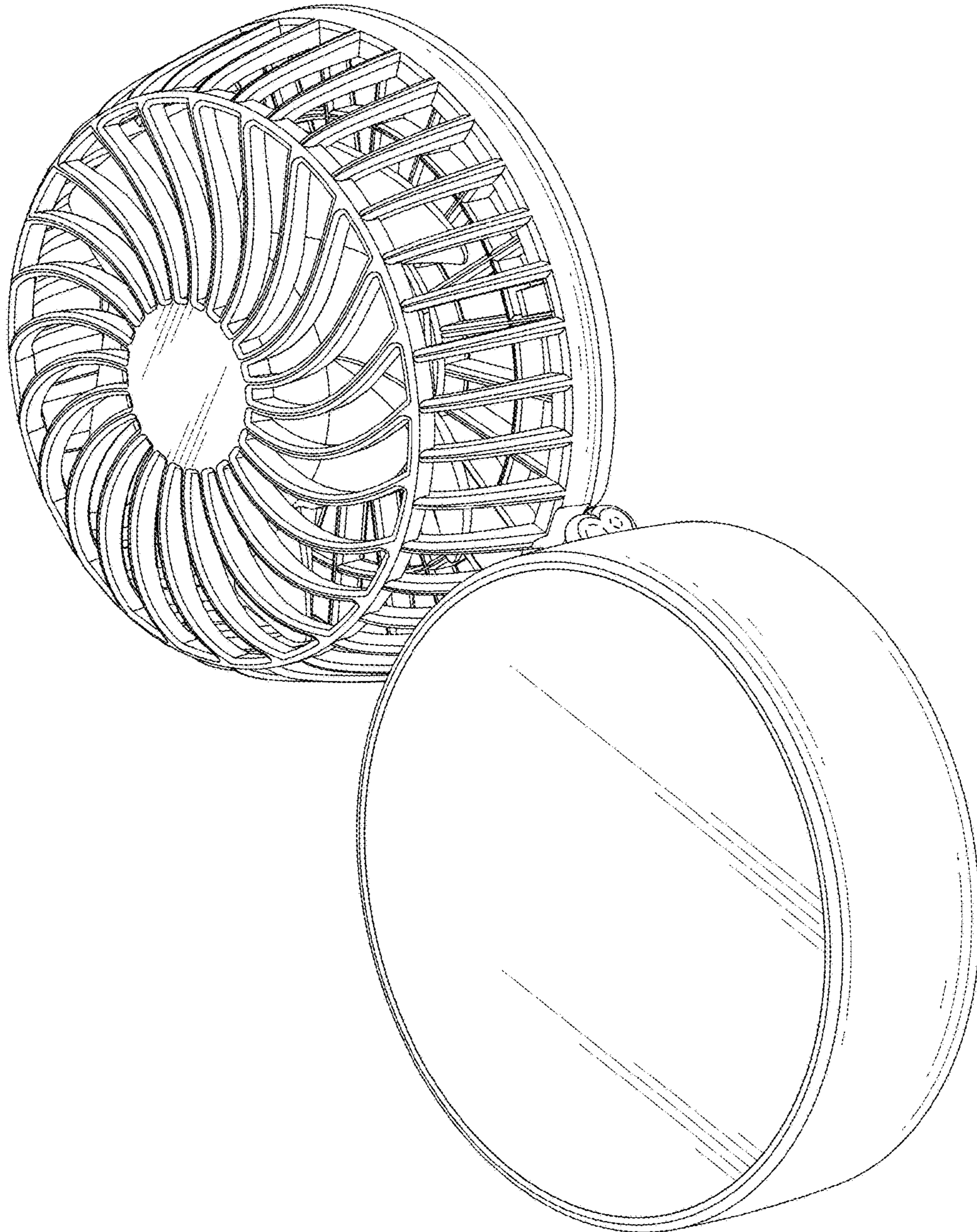


FIG. 1

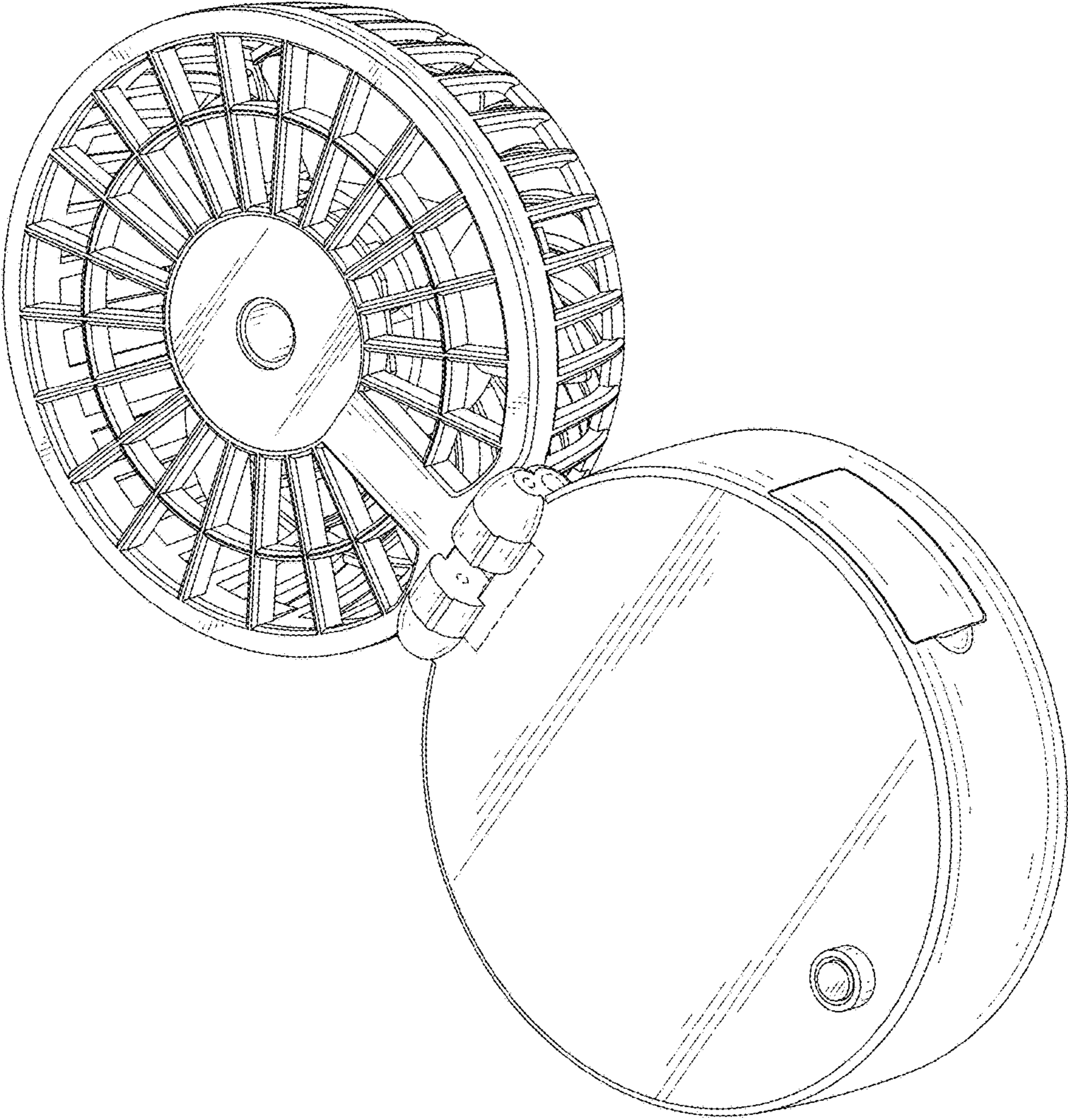


FIG. 2

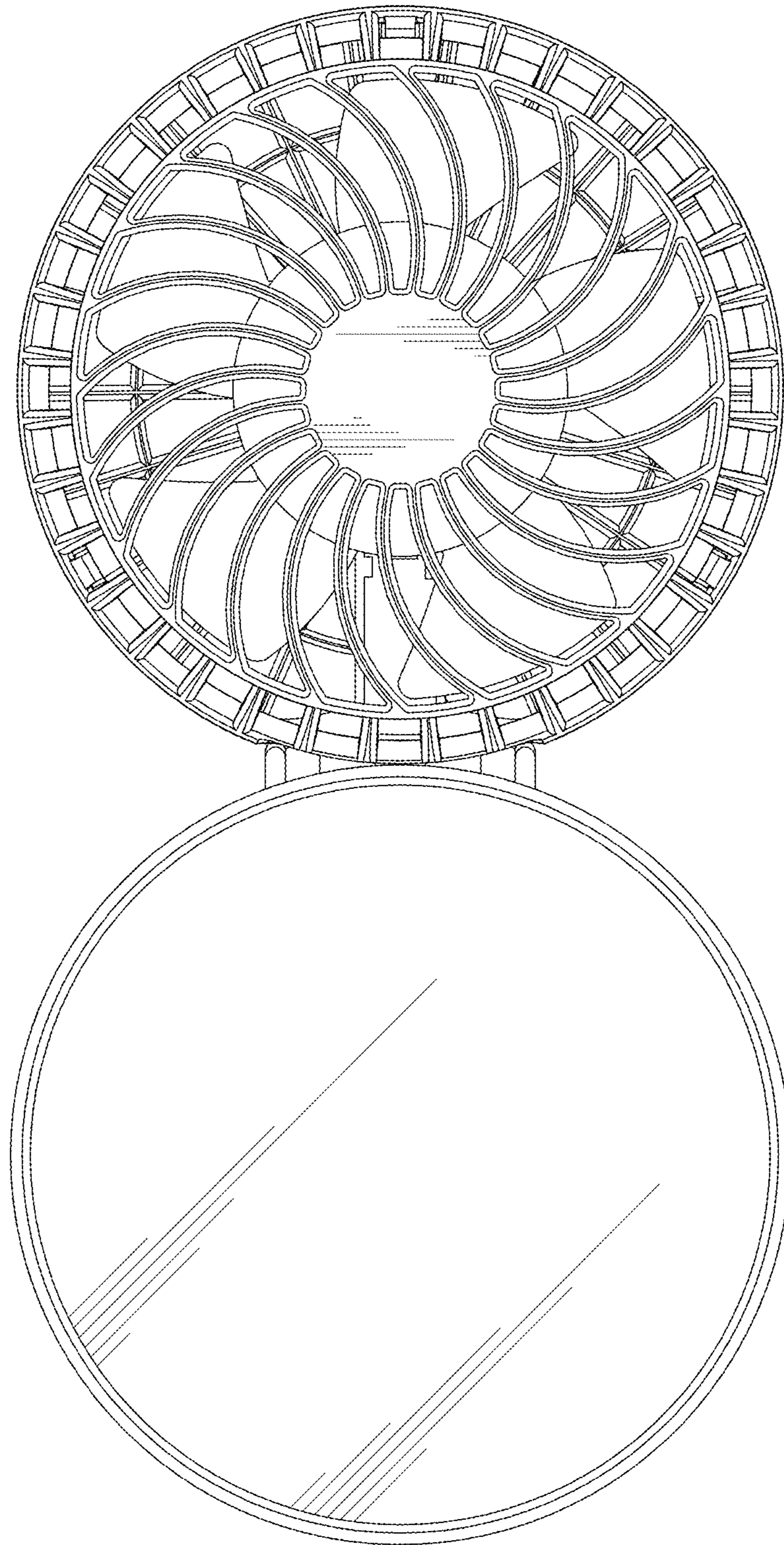


FIG. 3

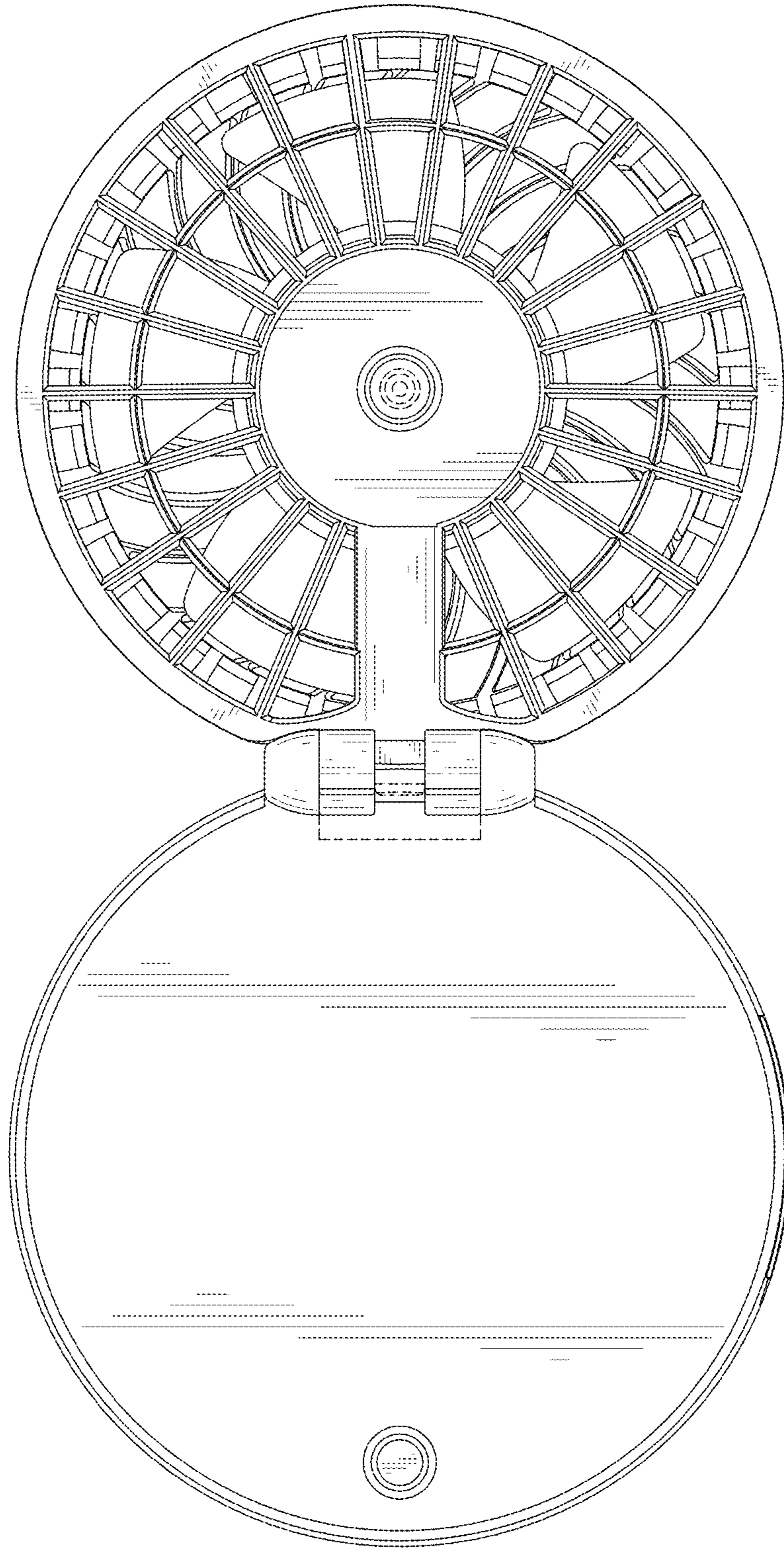


FIG. 4

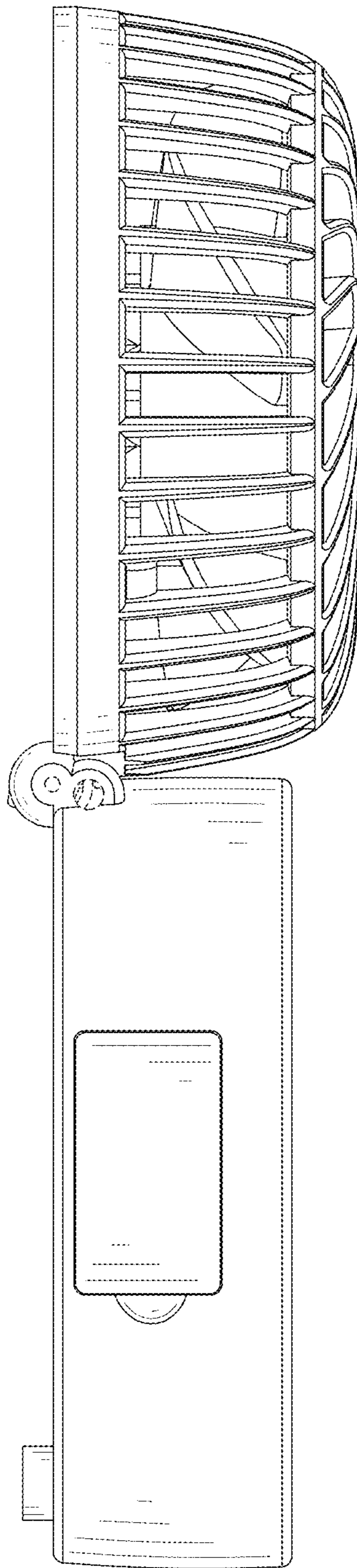


FIG. 5

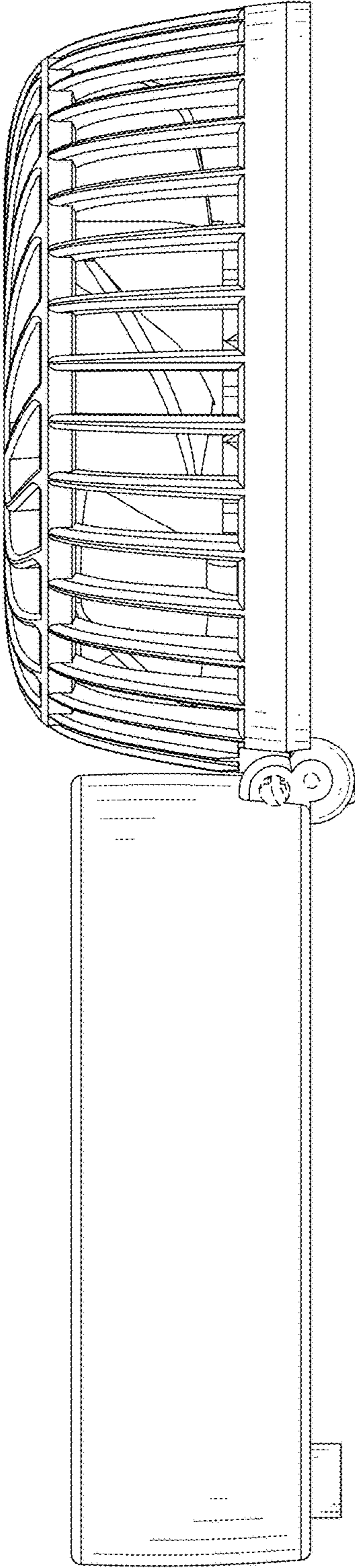


FIG. 6

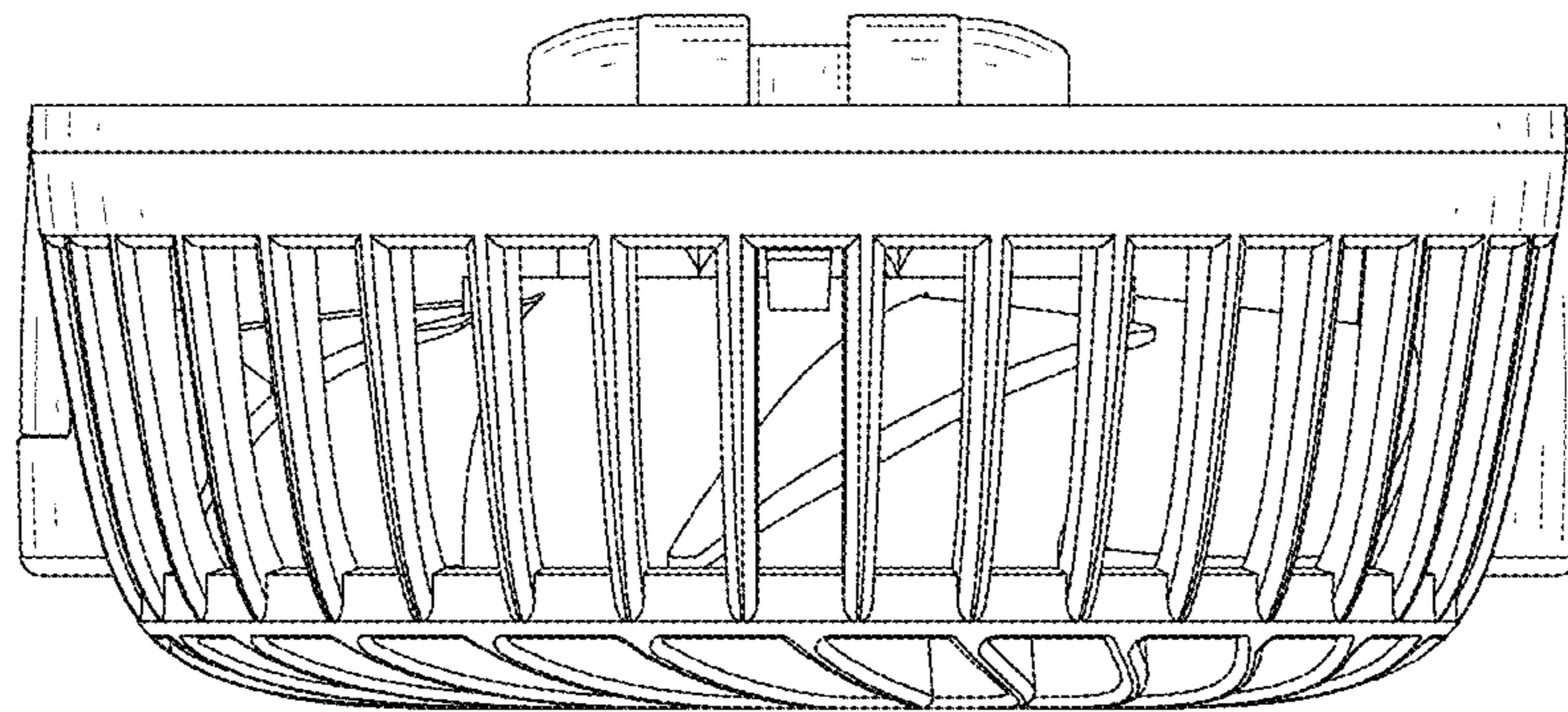


FIG. 7

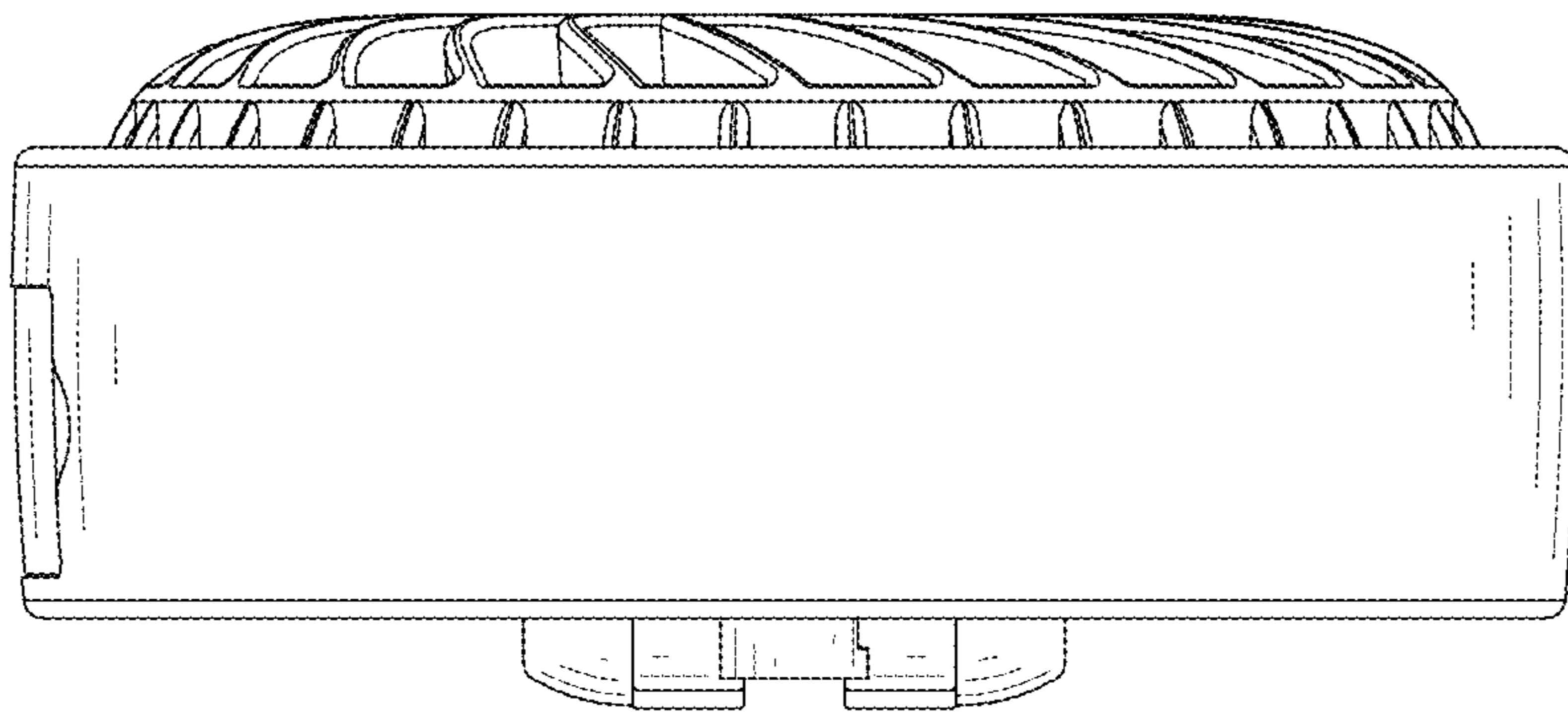


FIG. 8

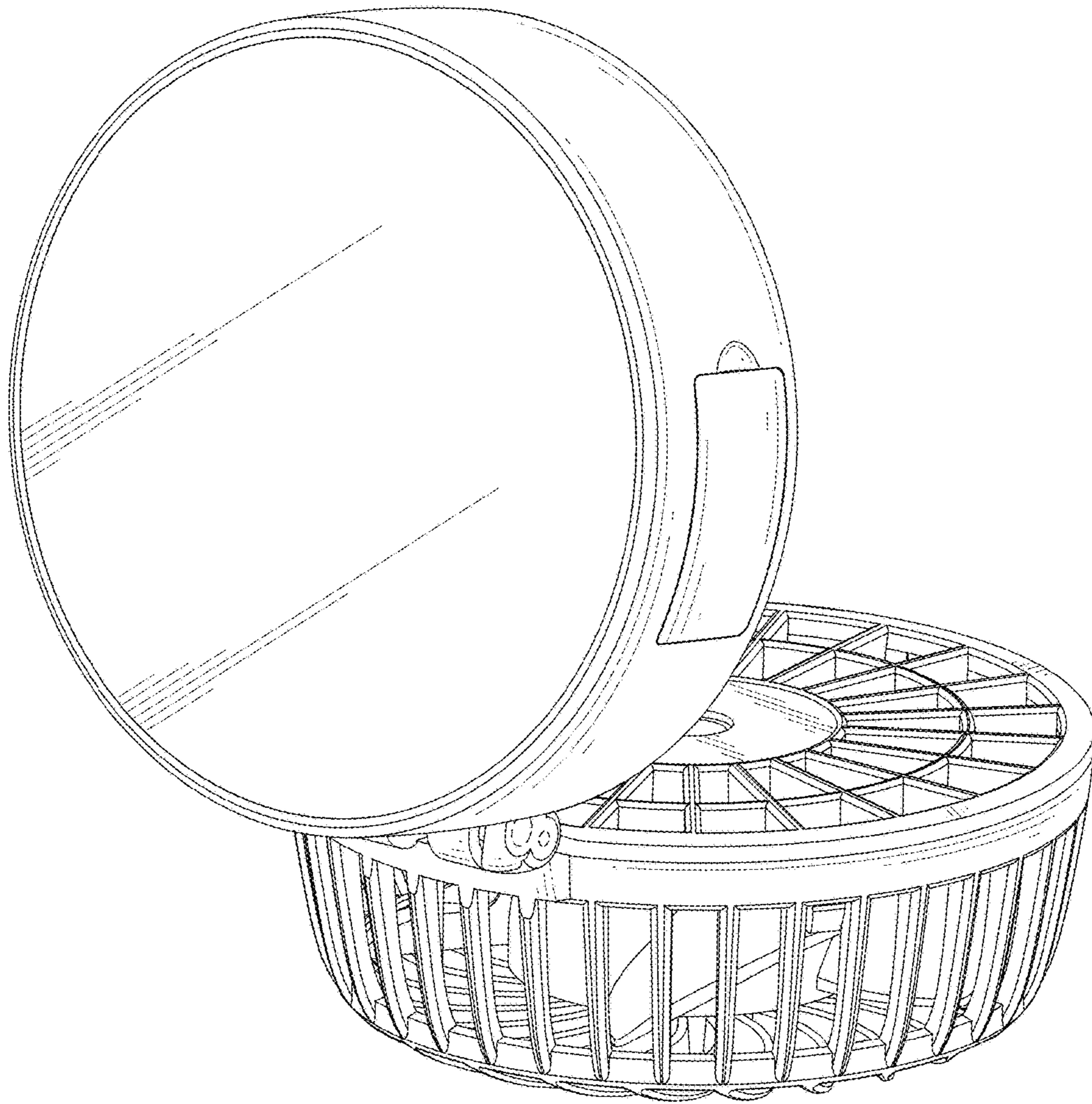


FIG. 9

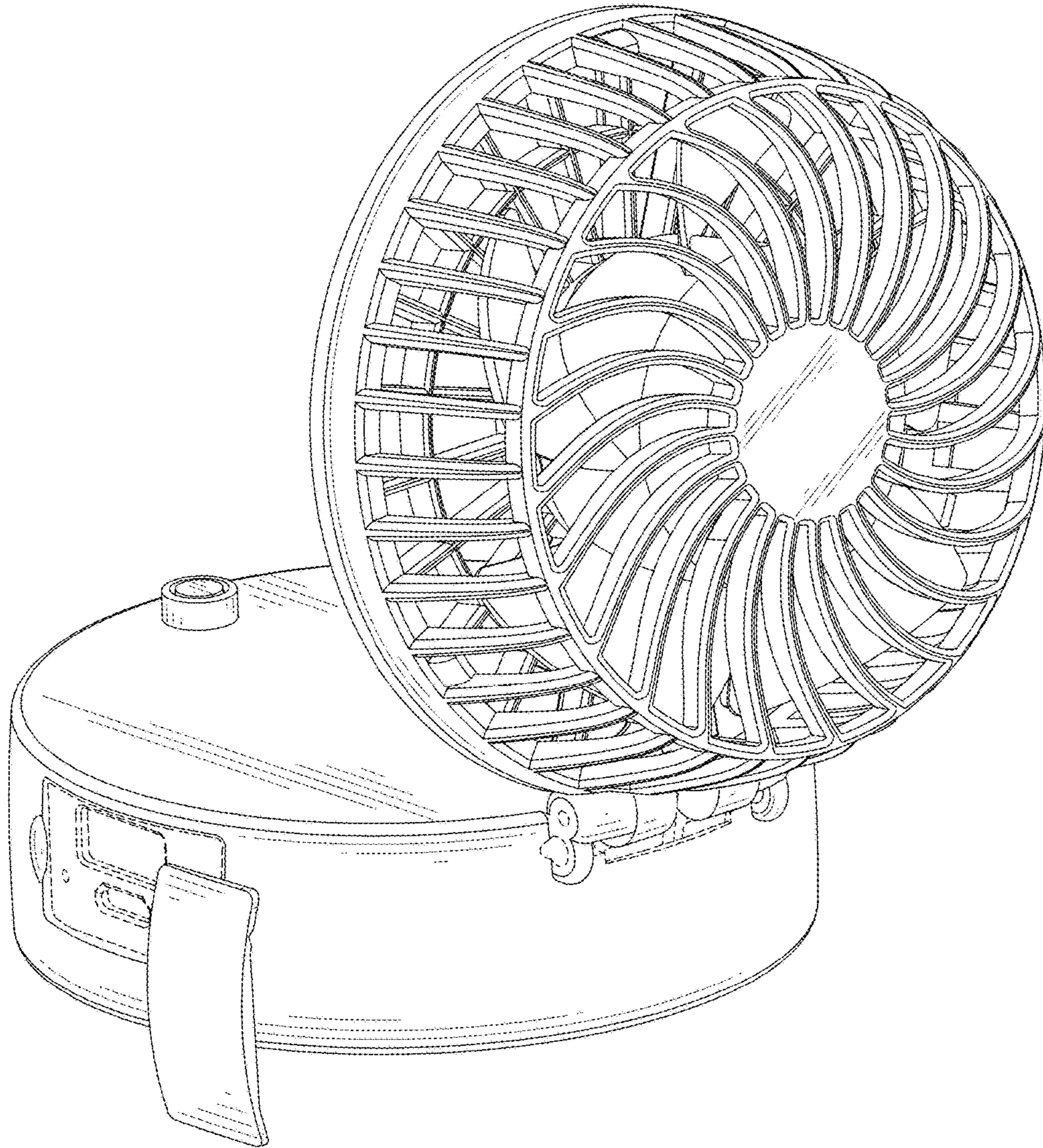


FIG. 10

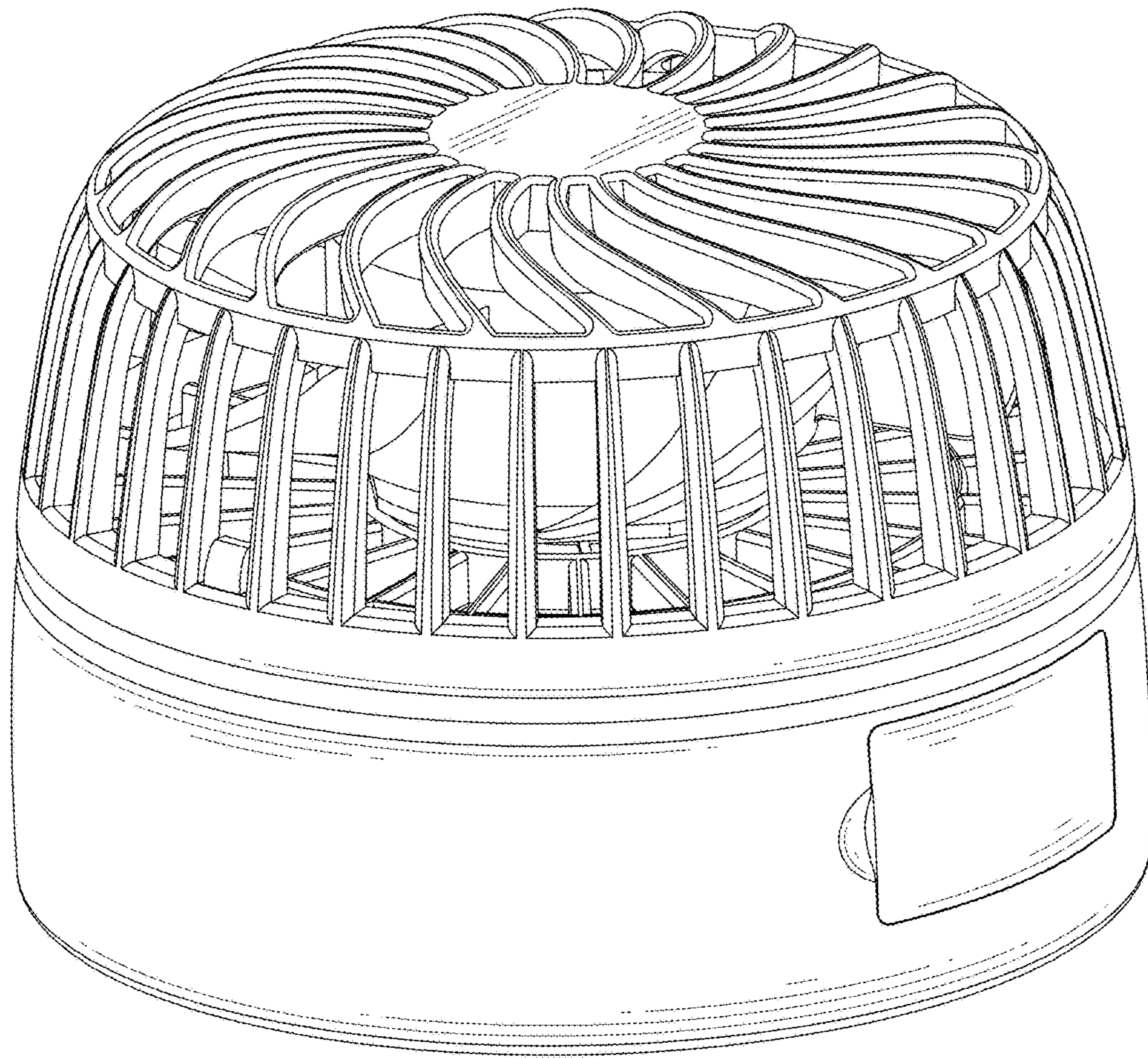


FIG. 11